

US00D720236S

(12) **United States Design Patent**
Doyle et al.

(10) **Patent No.:** **US D720,236 S**
(45) **Date of Patent:** **** Dec. 30, 2014**

(54) **TOILET CLEANER BOTTLE**

(71) Applicant: **Zobeles Espana, S.A.**, Barcelona (ES)

(72) Inventors: **Dominic Doyle**, Barcelona (ES); **Juan Antonio Gomez Garcia**, Barcelona (ES); **Julio Ruiz Ballesteros**, Barcelona (ES)

(73) Assignee: **Zobeles Espana, S.A.**, Barcelona (ES)

(**) Term: **14 Years**

(21) Appl. No.: **29/451,558**

(22) Filed: **Apr. 4, 2013**

(30) **Foreign Application Priority Data**

Oct. 4, 2012 (EP) 002113316

(51) **LOC (10) Cl.** **09-01**

(52) **U.S. Cl.**
USPC **D9/682**

(58) **Field of Classification Search**

CPC E03D 9/032; B65D 83/759; B65D 83/201;
B65D 83/206; B65D 83/38; B65D 83/14;
B65D 83/20; B05B 11/0037; A47K 5/1217;
A47K 5/1201; A47K 5/1202; A47K 5/1205;
A47K 5/1211; A47K 5/12
USPC D9/682-694, 715, 718, 719, 723, 516,
D9/517, 526, 527, 434-436, 443, 444,
D9/447-449, 455; D23/208, 213,
D23/223-228; D32/17, 18, 35, 45; D6/512,
D6/524, 542-545; 222/61, 63, 649,
222/153.11-153.14, 183, 192, 631, 635,
222/321.1-321.9, 323-328, 333,
222/372-402.25, 469, 470, 472, 473;
4/223, 231

See application file for complete search history.

(56) **References Cited**

U.S. PATENT DOCUMENTS

D186,860	S	*	12/1959	Speaker	D9/448
3,126,130	A	*	3/1964	Vanderberg	222/180
3,178,070	A	*	4/1965	Leland	222/180
3,583,609	A	*	6/1971	Oppenheimer	222/402.25
3,605,133	A	*	9/1971	Quercia et al.	4/231
D251,382	S	*	3/1979	Reed	D23/225
D288,529	S	*	3/1987	Parad	D9/524
4,670,916	A	*	6/1987	Bloom	4/231
D349,642	S	*	8/1994	Abfier	D9/685
D365,980	S	*	1/1996	Matara et al.	D9/655
D530,955	S	*	10/2006	Yang et al.	D6/542
D534,753	S	*	1/2007	Christianson	D6/542
7,191,920	B2	*	3/2007	Boll et al.	222/333
7,322,052	B2	*	1/2008	Alexander	4/223
D600,558	S	*	9/2009	Isono	D9/522
7,815,077	B2	*	10/2010	Yang et al.	222/321.8
7,895,683	B2	*	3/2011	Sawalski et al.	4/223
7,975,881	B1	*	7/2011	Glucksman et al.	222/209
D659,452	S	*	5/2012	Yang et al.	D6/542
D682,589	S	*	5/2013	Cheng	D6/542

(Continued)

Primary Examiner — Catherine Tuttle

(74) *Attorney, Agent, or Firm* — Kramer Levin Naftalis & Frankel LLP

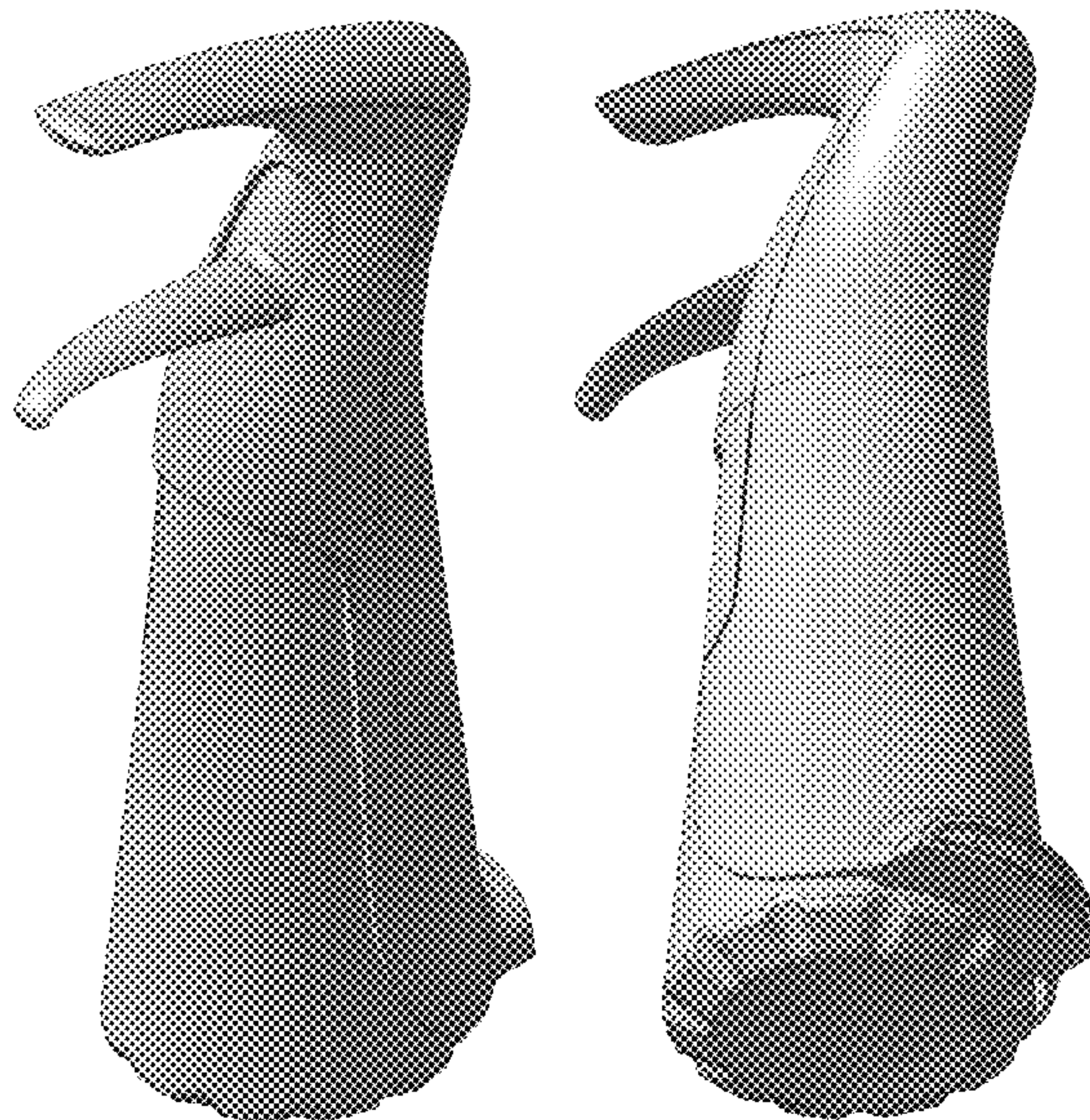
(57) **CLAIM**

The ornamental design for the toilet cleaner bottle, as shown and described.

DESCRIPTION

FIG. 1 is a top, front and right perspective view of the toilet cleaner bottle showing our new design;
FIG. 2 is a left side elevation view thereof;
FIG. 3 is a front elevation view thereof;
FIG. 4 is a top plan view thereof;
FIG. 5 is a rear elevation view thereof;
FIG. 6 is a bottom plan view thereof; and,
FIG. 7 is a bottom, rear and right perspective view thereof.

1 Claim, 7 Drawing Sheets



US D720,236 S

Page 2

(56)

References Cited

U.S. PATENT DOCUMENTS

	2008/0315018	A1*	12/2008	Withers	239/526
	2010/0205730	A1*	8/2010	Muhlhausen et al.	4/223
	2014/0061252	A1*	3/2014	Sweeton et al.	222/321.8
D704,069	S	*	5/2014	Handy	D9/685

* cited by examiner

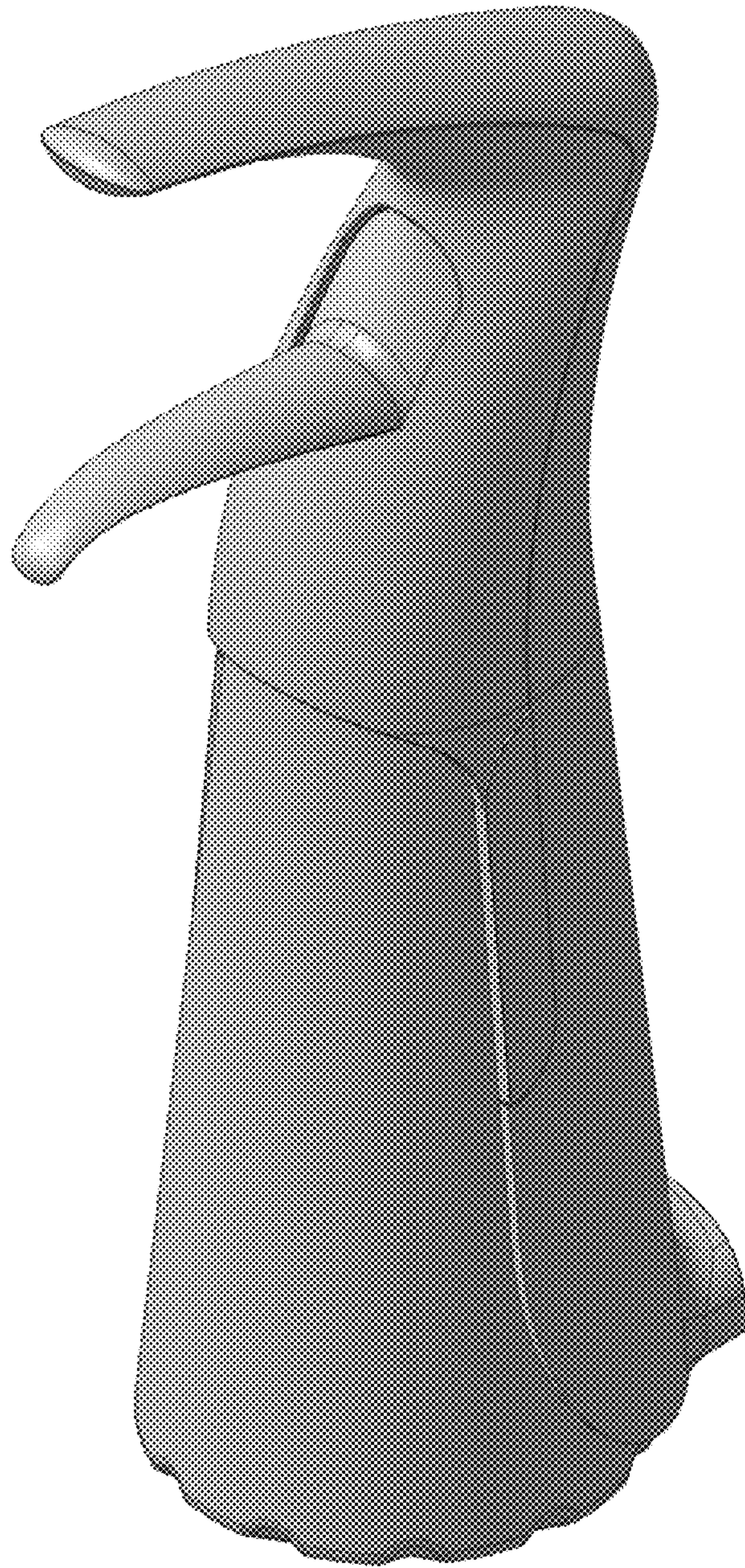


Fig. 1

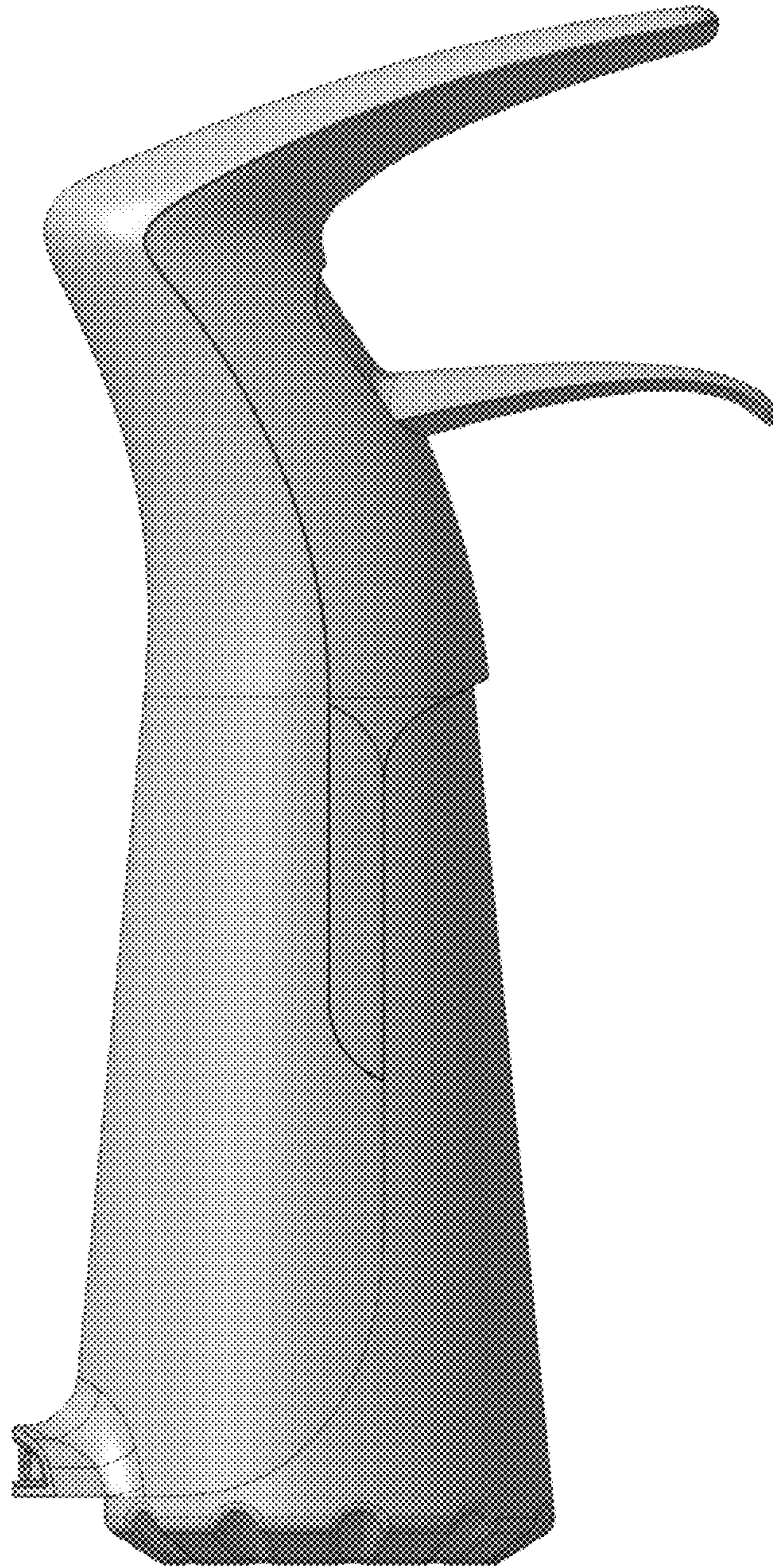


Fig. 2

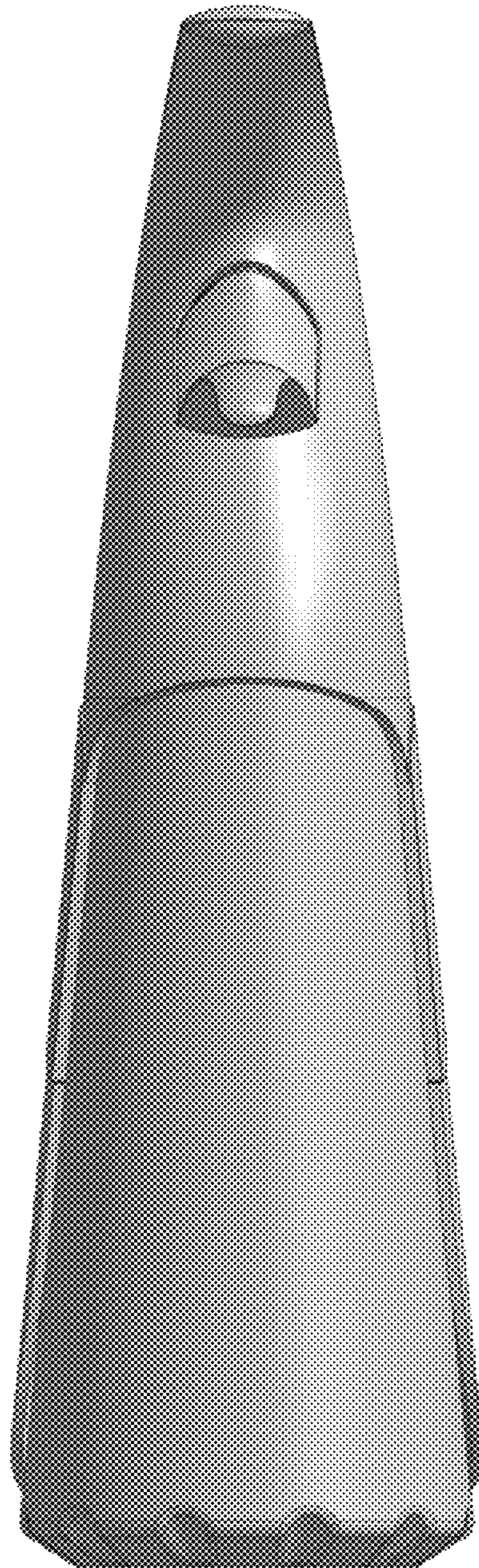


Fig. 3

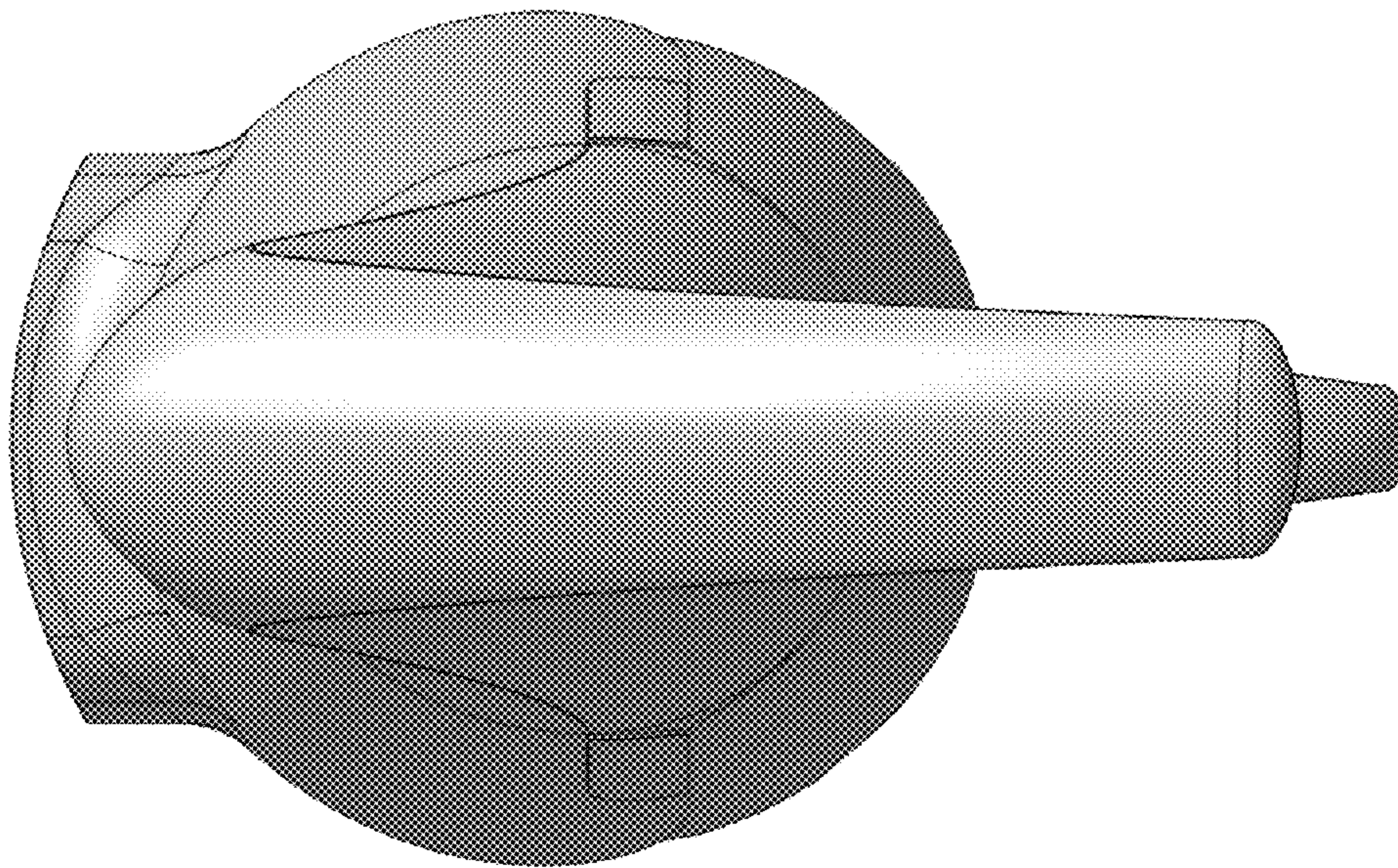


Fig. 4

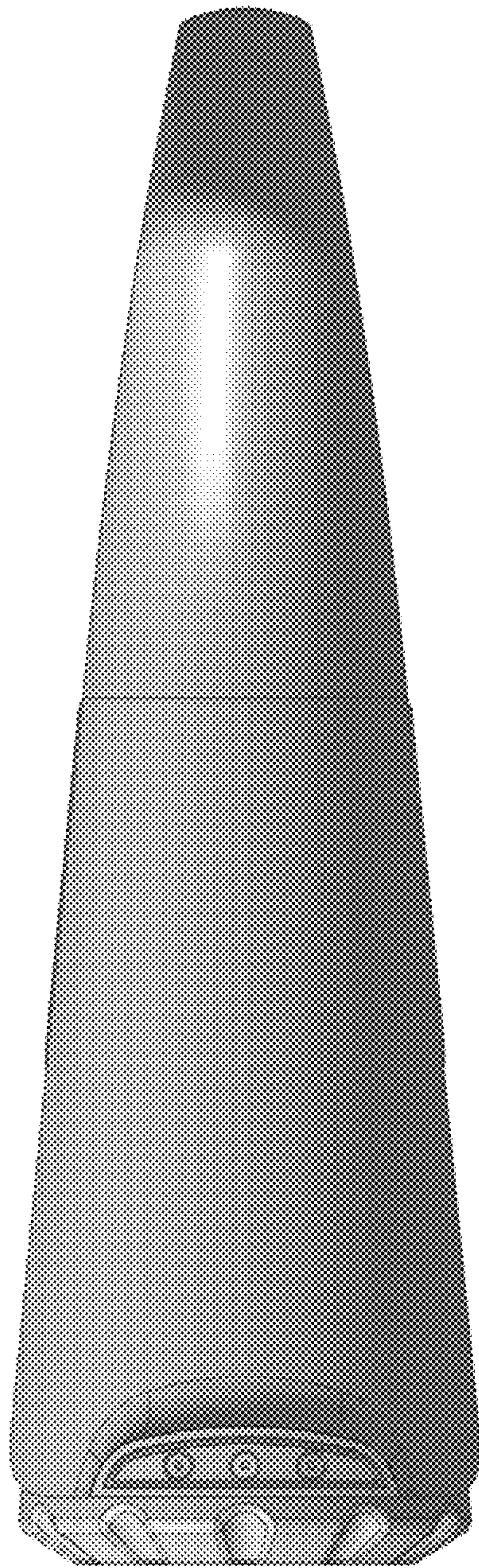


Fig. 5

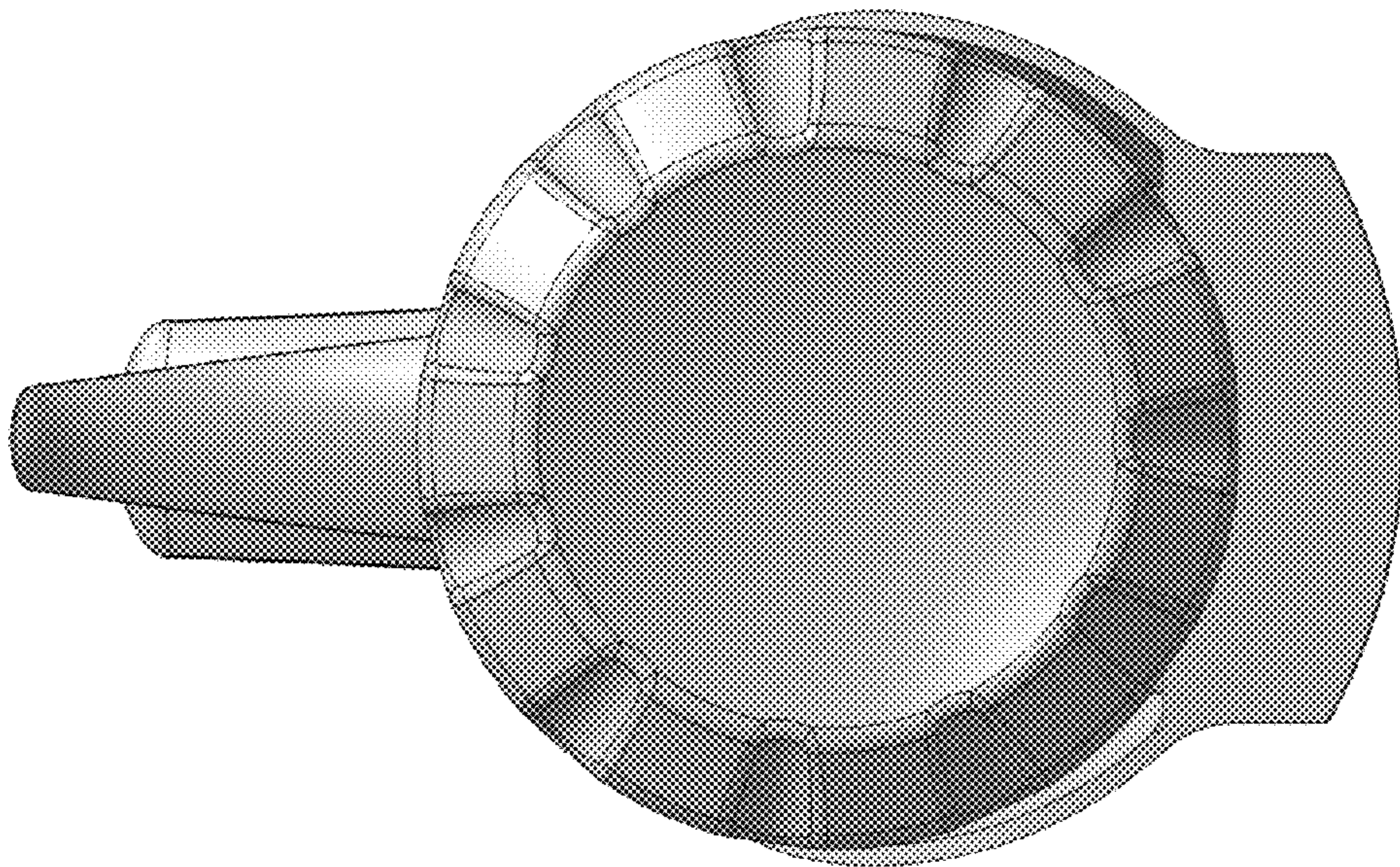


Fig. 6

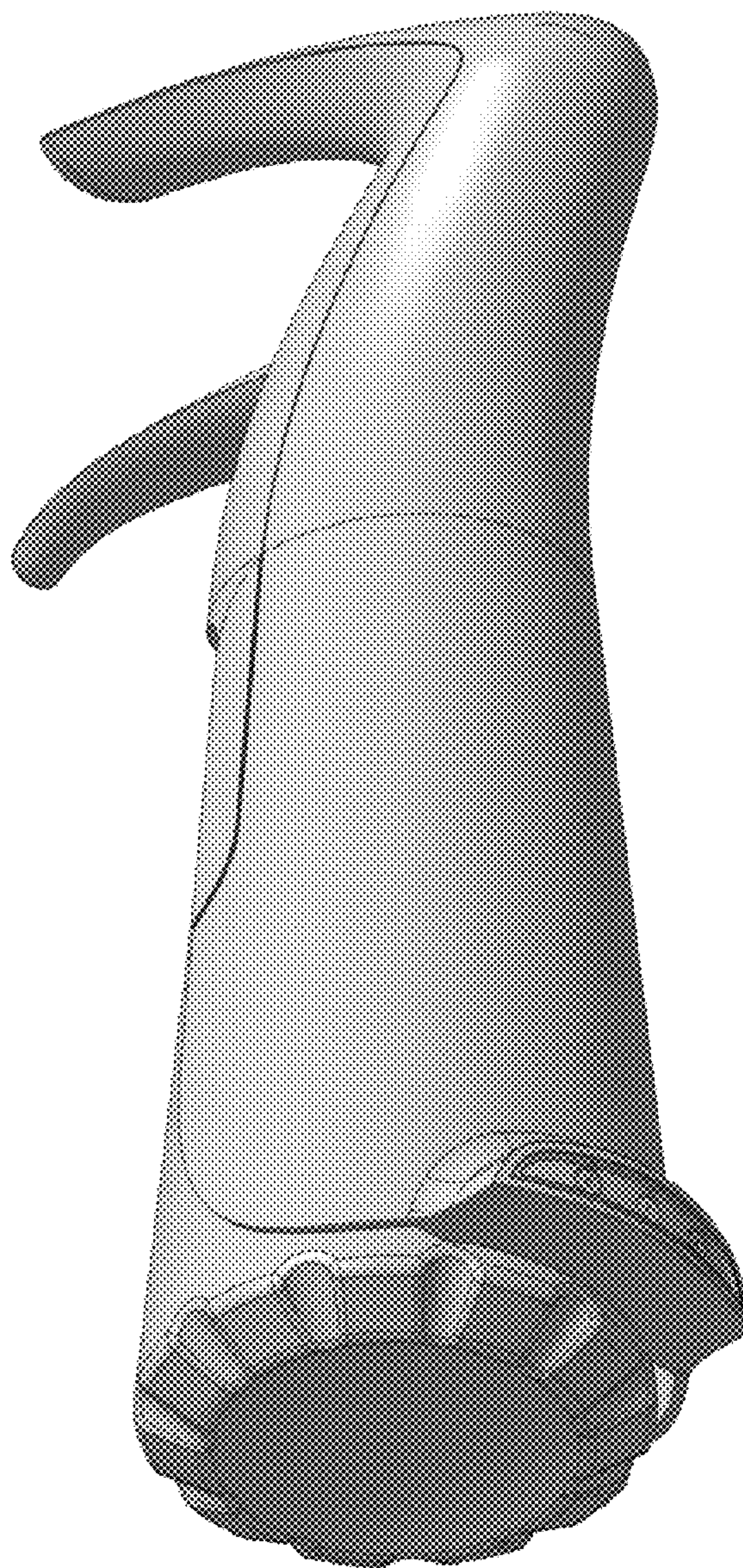


Fig. 7