



US00D720232S

(12) **United States Design Patent**  
**de Monclin**

(10) **Patent No.:** **US D720,232 S**

(45) **Date of Patent:** **\*\* Dec. 30, 2014**

(54) **BOTTLE WITH CAP**

(75) Inventor: **Henry Thierion de Monclin**, Paris (FR)

(73) Assignee: **Express, LLC**, Columbus, OH (US)

(\*\*) Term: **14 Years**

(21) Appl. No.: **29/415,784**

(22) Filed: **Mar. 14, 2012**

(51) **LOC (10) Cl.** ..... **09-01**

(52) **U.S. Cl.**  
USPC ..... **D9/558**; D9/454; D9/529

(58) **Field of Classification Search**  
CPC ..... B65D 1/00; B65D 1/02; B65D 1/40;  
B65D 69/00; B65D 79/00; B65D 81/00;  
B65D 83/00; B65D 83/14; B65D 83/38;  
B65D 90/00; B65D 2501/0009; B65D  
2501/0081  
USPC ..... D9/434-435, 444-445, 454, 516, 529,  
D9/549, 558, 572-575, 682, 686-687,  
D9/693-694; D28/91.1; 215/379,  
215/381-382; 220/660, 662, 669, 675  
See application file for complete search history.

D347,794 S	6/1994	Lewis	
D347,992 S	6/1994	Schmidt	
D348,611 S *	7/1994	Abfier et al.	D9/529
D369,980 S	5/1996	Dinand	
D379,766 S	6/1997	Schneider	
D391,495 S	3/1998	Dinand	
D433,338 S	11/2000	Blaakman	
D438,097 S	2/2001	Krunas	
D539,150 S	3/2007	Leoncavallo	
D541,664 S *	5/2007	Galdini	D9/574
D563,243 S	3/2008	Murray	
D587,596 S	3/2009	Lloyd	
D596,943 S	7/2009	Baker	
D609,110 S	2/2010	Moretti	
D635,464 S	4/2011	Kuzma et al.	
D645,358 S	9/2011	de Monclin	

\* cited by examiner

*Primary Examiner* — Ian Simmons

*Assistant Examiner* — Dana L Meyrow

(74) *Attorney, Agent, or Firm* — Mark J. Nahsen; Barnes & Thornburg LLP

(57) **CLAIM**

The ornamental design for a bottle with cap, as shown and described.

**DESCRIPTION**

FIG. 1 is a top, front, right side perspective view of a bottle with cap showing my new design;  
FIG. 2 is a bottom, rear, right side perspective view thereof;  
FIG. 3 is a front elevation view thereof;  
FIG. 4 is a rear elevation view thereof;  
FIG. 5 is a right side elevation view thereof;  
FIG. 6 is a left side elevation view thereof;  
FIG. 7 is a top plan view thereof; and,  
FIG. 8 is a bottom plan view thereof.  
The broken lines in the drawings illustrate the portions of the design that form no part of the claim.

**1 Claim, 4 Drawing Sheets**

(56) **References Cited**

U.S. PATENT DOCUMENTS

D213,041 S *	12/1968	Stehl	D9/529
D244,579 S	6/1977	Dinand	
D247,221 S *	2/1978	Landor et al.	D9/529
D256,886 S *	9/1980	DiScala	D9/529
D259,098 S *	5/1981	Lauren	D9/558
D261,231 S *	10/1981	Grip	D9/520
D261,232 S *	10/1981	Grip	D9/520
D278,411 S *	4/1985	Reitzel et al.	D9/529
D296,079 S	6/1988	Rosen	
D305,505 S *	1/1990	Kunesh	D9/529
D308,024 S *	5/1990	Kunesh	D9/529
D322,937 S	1/1992	Dinand	
D342,452 S	12/1993	Monaghan	

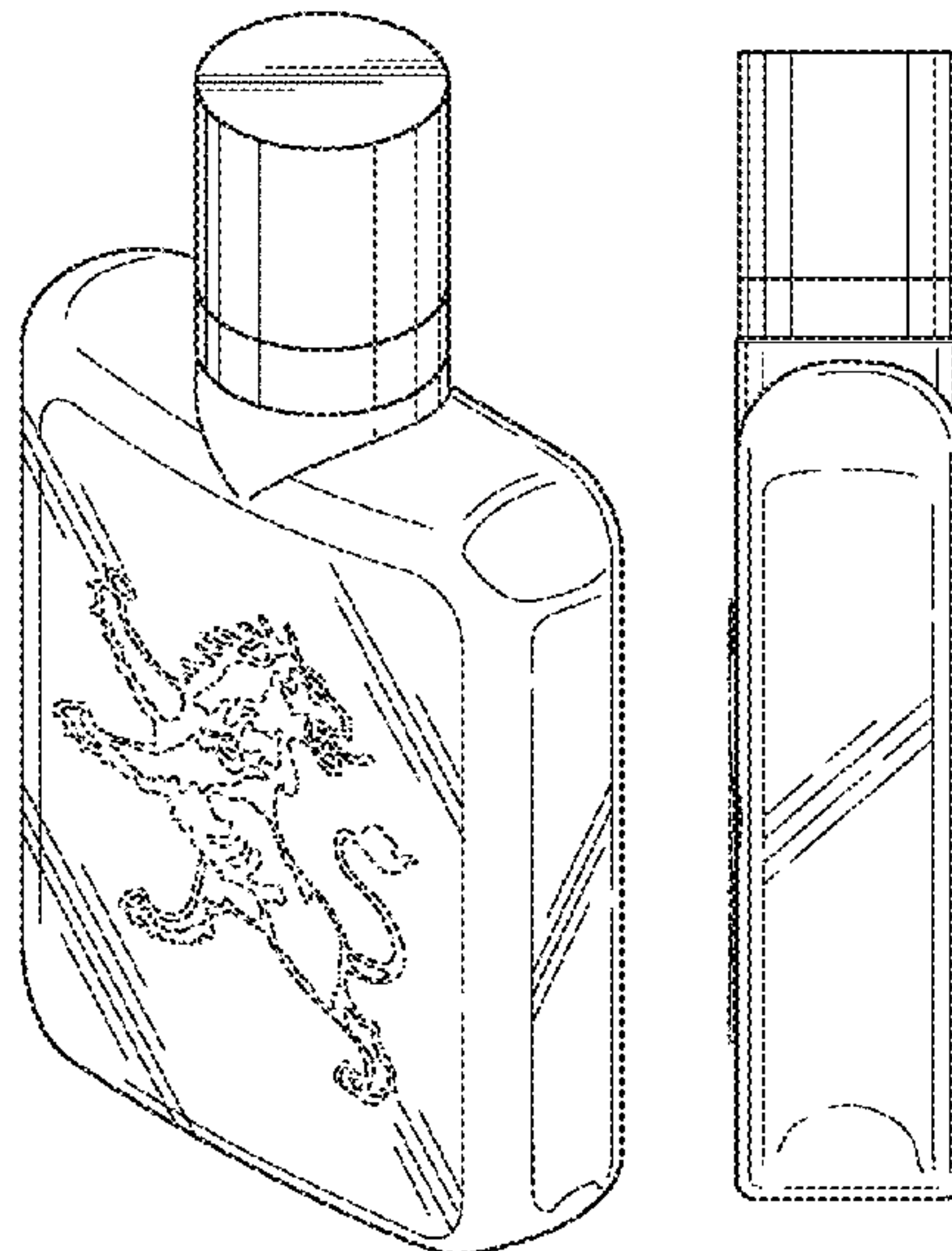




FIG. 1

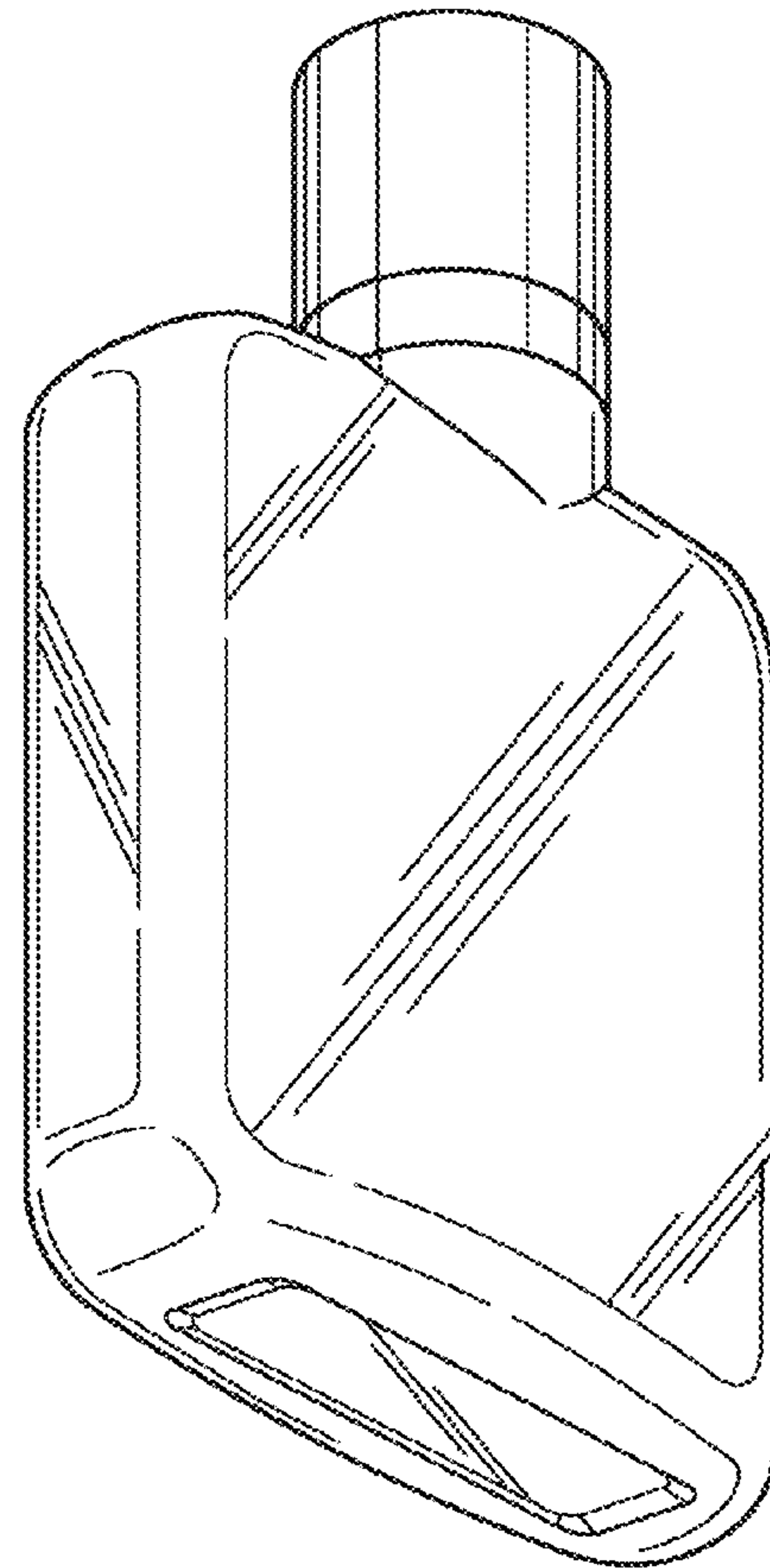


FIG. 2

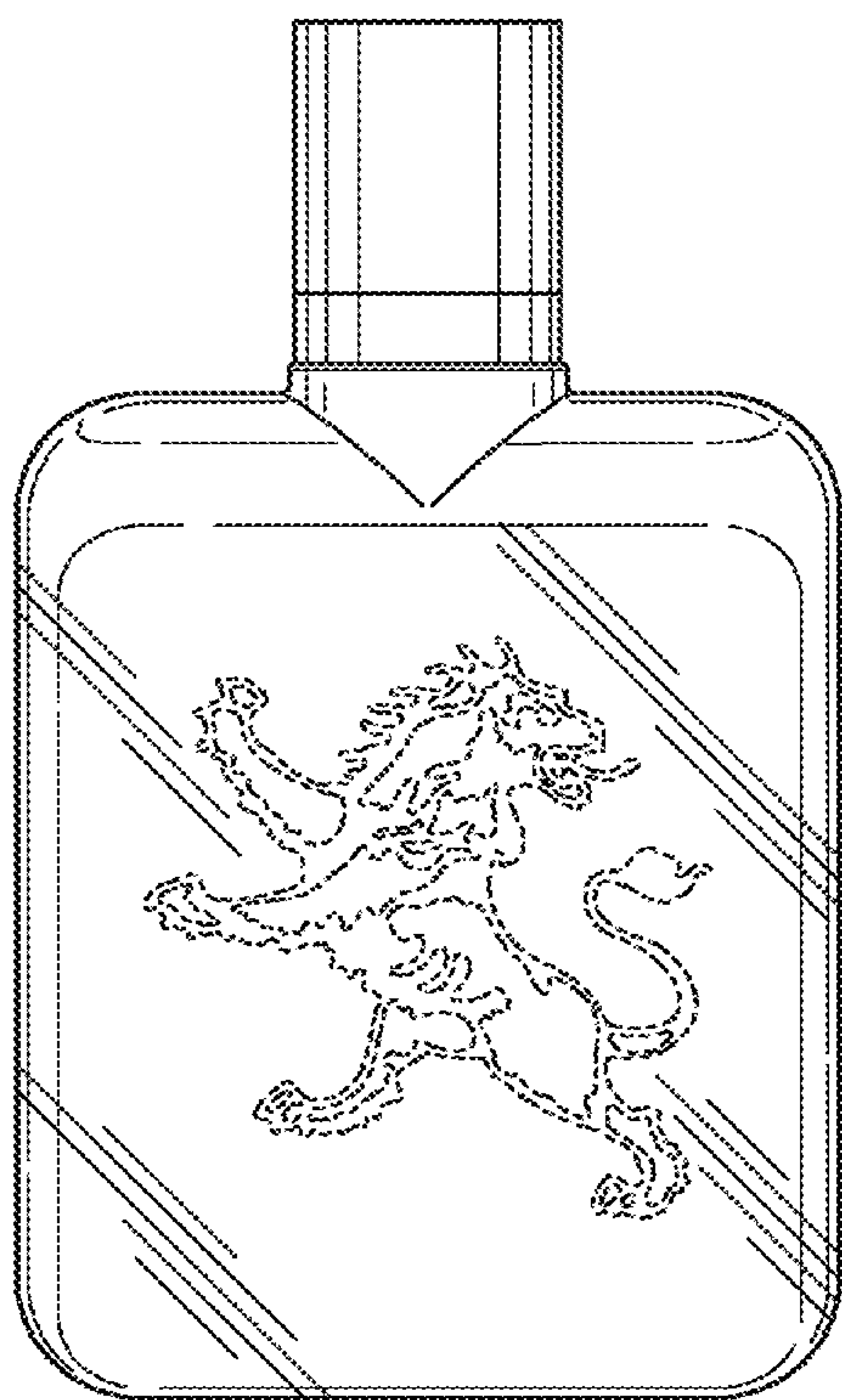


FIG. 3

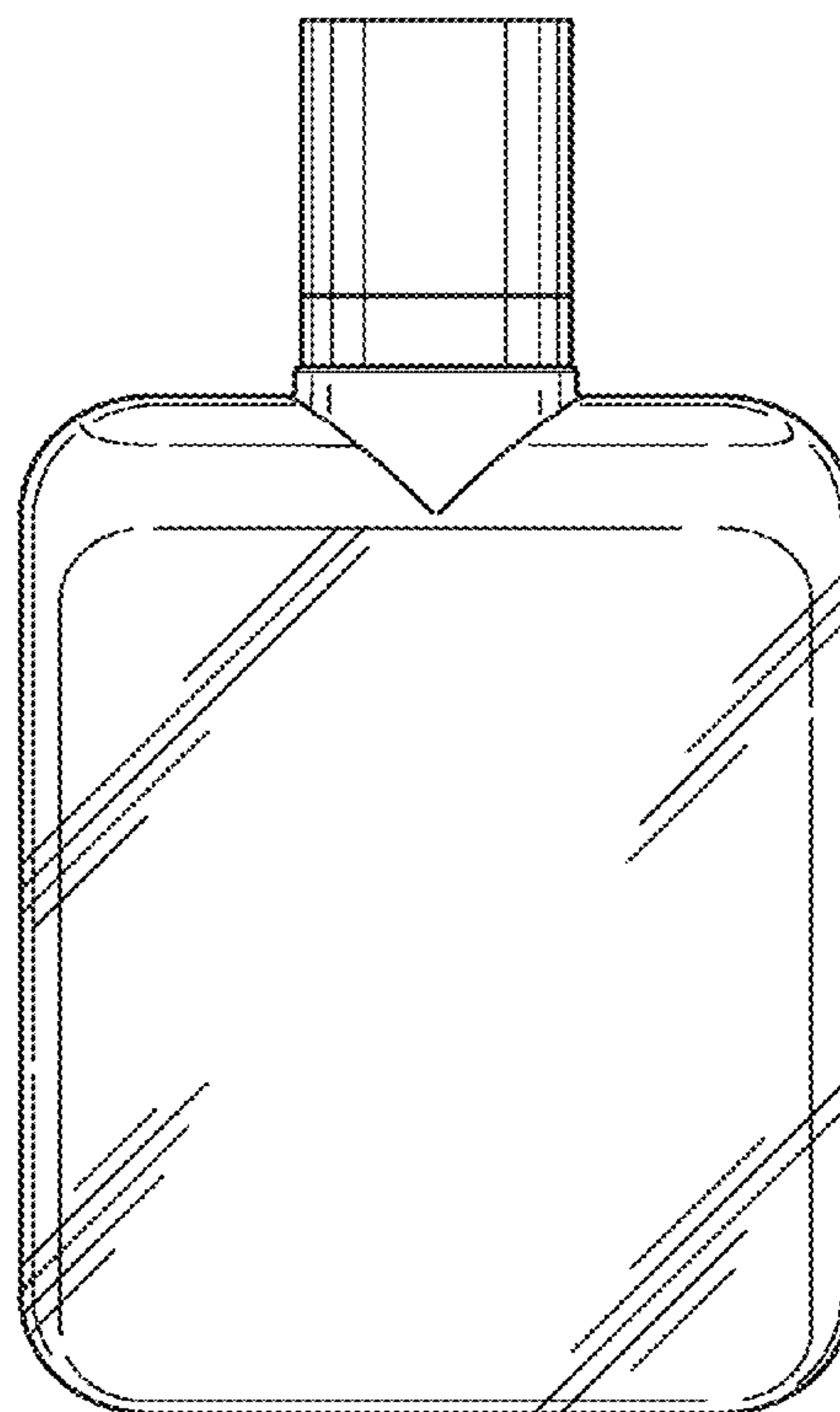


FIG. 4

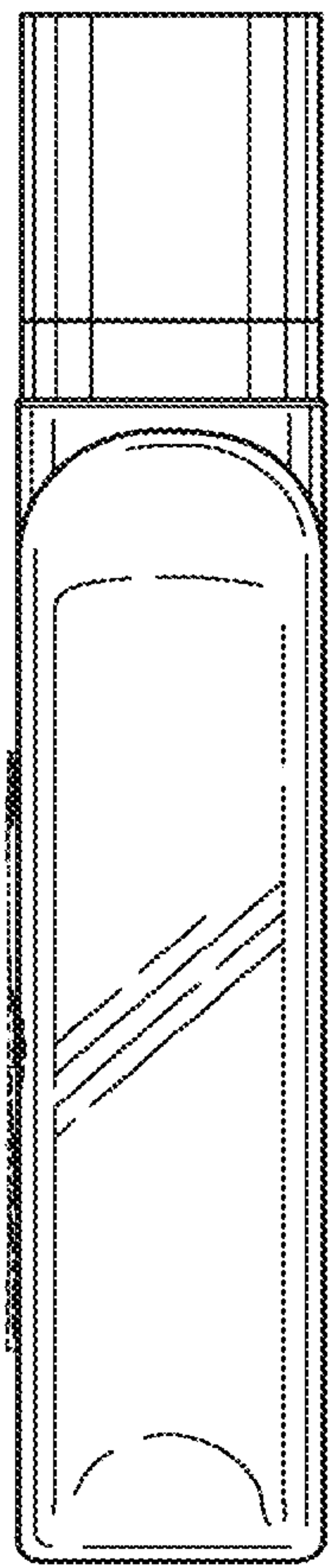


FIG. 5

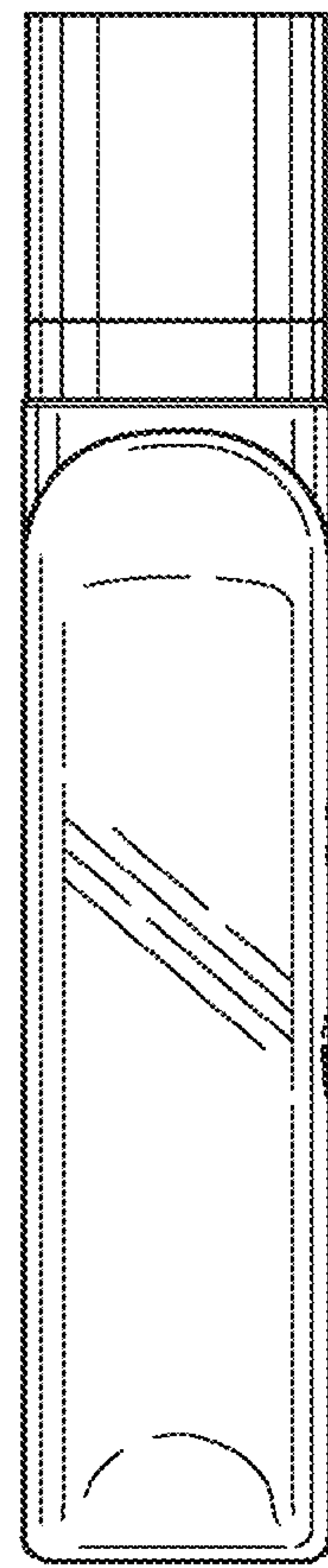


FIG. 6



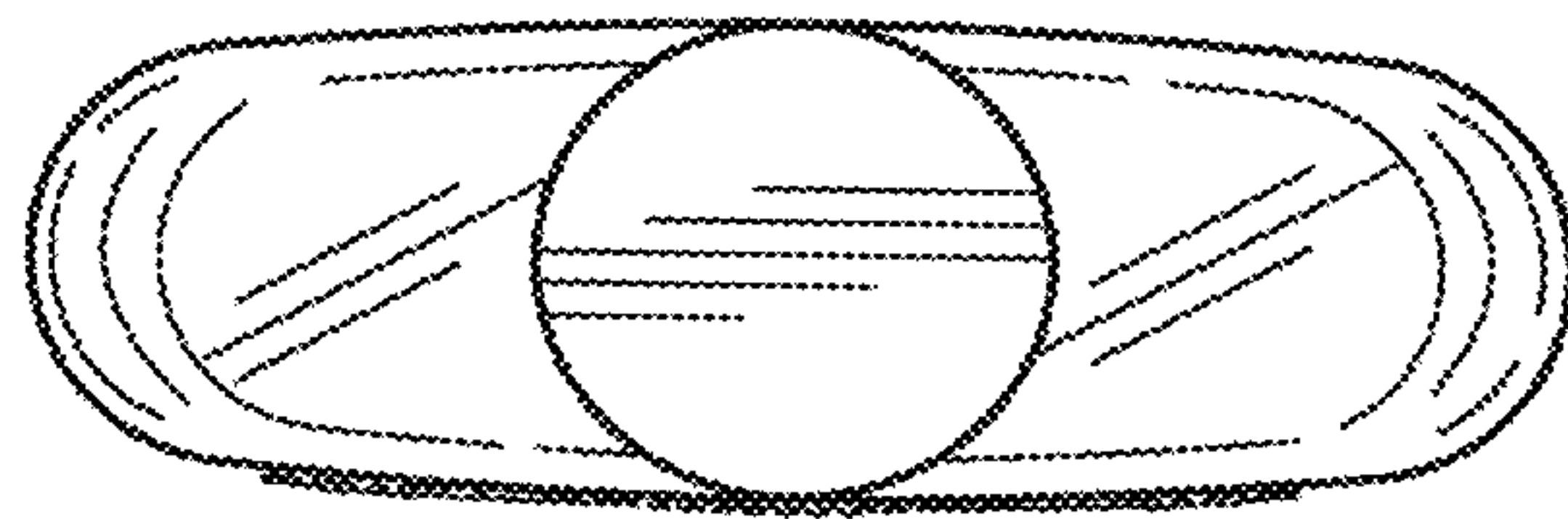


FIG. 7

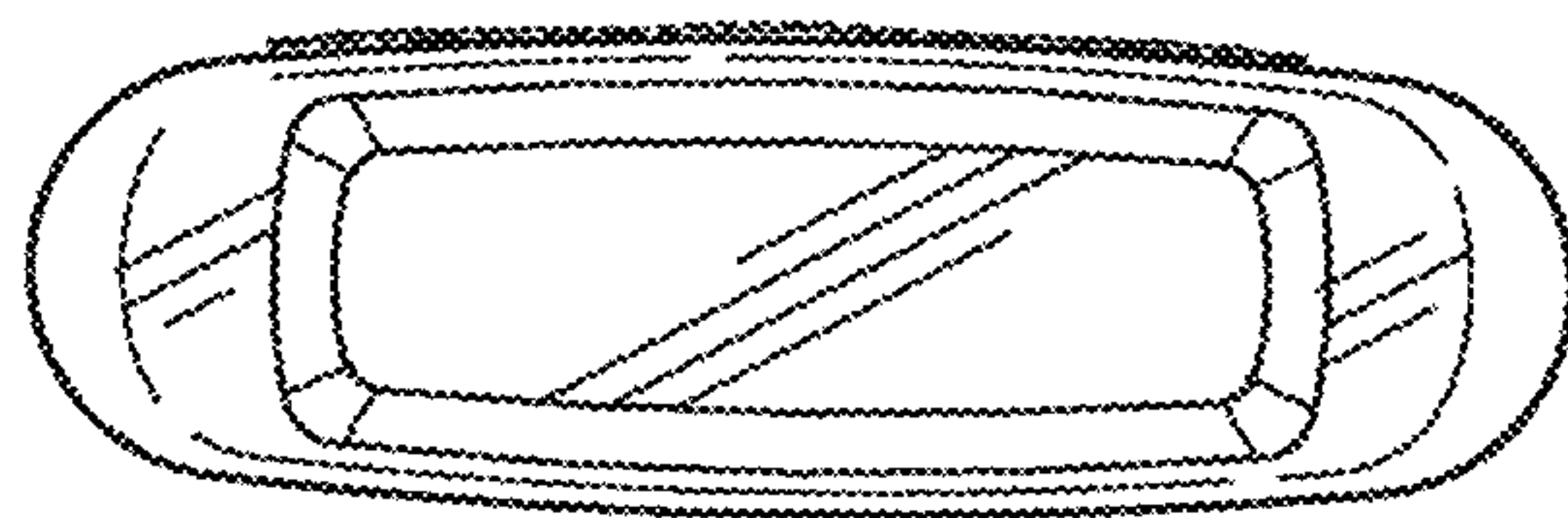


FIG. 8