



US00D720229S

(12) **United States Design Patent**
Ritchie et al.

(10) **Patent No.:** **US D720,229 S**

(45) **Date of Patent:** **** Dec. 30, 2014**

(54) **BOTTLE**

(75) Inventors: **Simon Ritchie**, Weybridge (GB); **Lucy Wilson**, Weybridge (GB)

(73) Assignee: **Glaxo Group Limited**, Brentford, Middlesex (GB)

(**) Term: **14 Years**

(21) Appl. No.: **29/427,062**

(22) Filed: **Jul. 13, 2012**

(30) **Foreign Application Priority Data**

Jan. 20, 2012 (GB) 4023185

(51) **LOC (10) Cl.** **09-01**

(52) **U.S. Cl.**
USPC **D9/543; D9/565**

(58) **Field of Classification Search**
CPC B65D 1/00; B65D 1/02; B65D 23/00
USPC D9/516, 520, 530, 543, 549, 552, 565,
D9/571, 682, 686, 688-692; 215/379,
215/381-383; 220/660, 669, 675
See application file for complete search history.

(56) **References Cited**

U.S. PATENT DOCUMENTS

D38,385 S * 12/1906 Kohn D9/542
D92,436 S * 6/1934 Stevens D9/543
D198,645 S * 7/1964 Shelper D9/531
D339,517 S * 9/1993 Jobit D9/602

D356,736 S * 3/1995 Armstrong D9/552
D404,311 S * 1/1999 Zimmer et al. D9/552
D406,765 S * 3/1999 Zimmer et al. D9/523
D416,806 S * 11/1999 Zimmer et al. D9/552
D444,390 S * 7/2001 Kokenge et al. D9/542
D447,061 S * 8/2001 Peek D9/549
D506,140 S * 6/2005 Maus D9/542
D616,757 S * 6/2010 Dorn et al. D9/543
D623,950 S * 9/2010 Eugui et al. D9/516
D623,951 S * 9/2010 Eugui et al. D9/516
D640,927 S * 7/2011 Seum et al. D9/552
D670,172 S * 11/2012 Bruscha et al. D9/542

* cited by examiner

Primary Examiner — Ian Simmons

Assistant Examiner — Dana L Meyrow

(74) *Attorney, Agent, or Firm* — Nora L. Stein; Theodore R. Furman

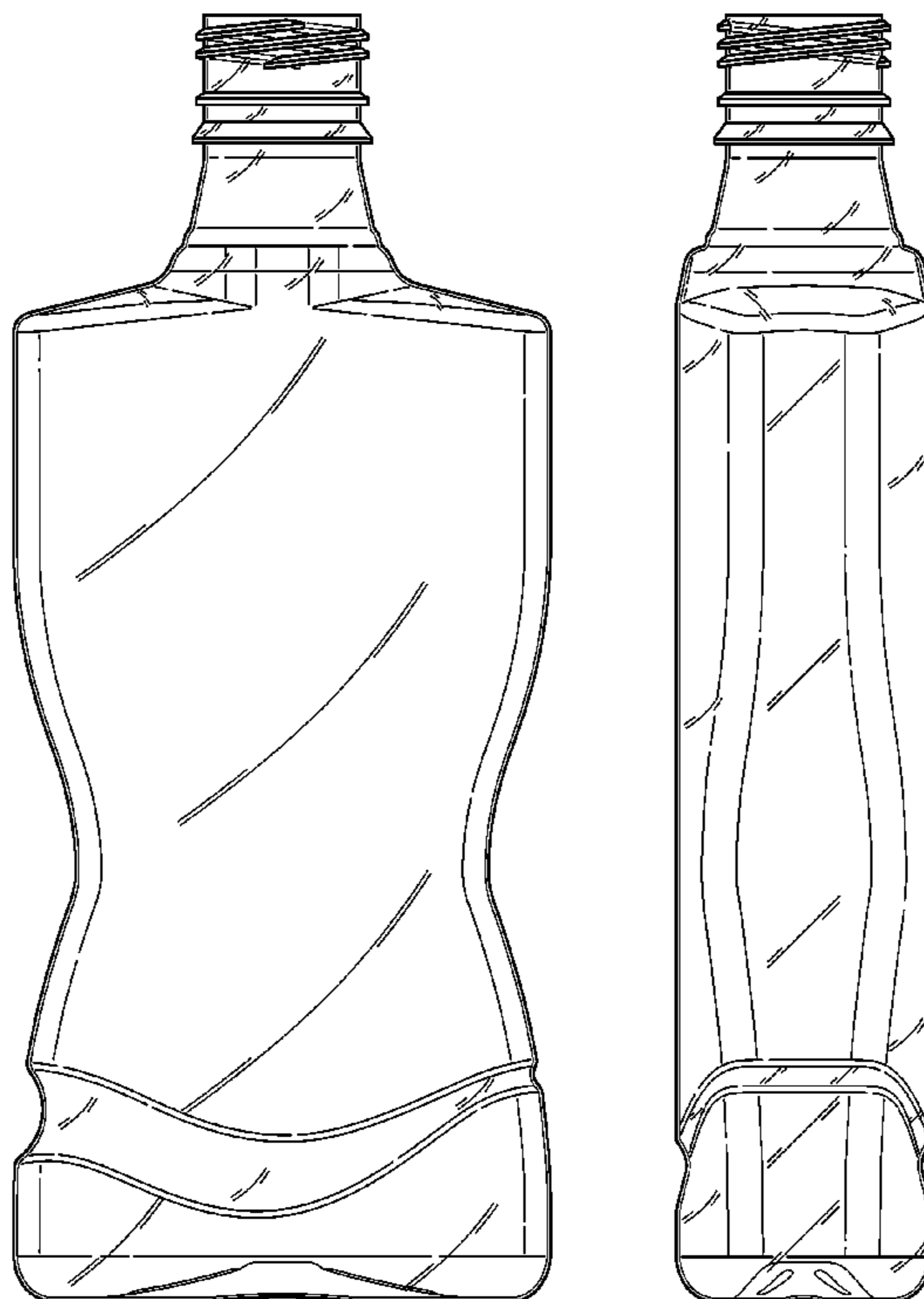
(57) **CLAIM**

We claim the ornamental design for a bottle, as shown and described.

DESCRIPTION

FIG. 1 is a front perspective view from top and right side;
FIG. 2 is a front view;
FIG. 3 is a back view;
FIG. 4 is a left side view;
FIG. 5 is a right side view;
FIG. 6 is a top view; and,
FIG. 7 is a bottom view.

1 Claim, 5 Drawing Sheets



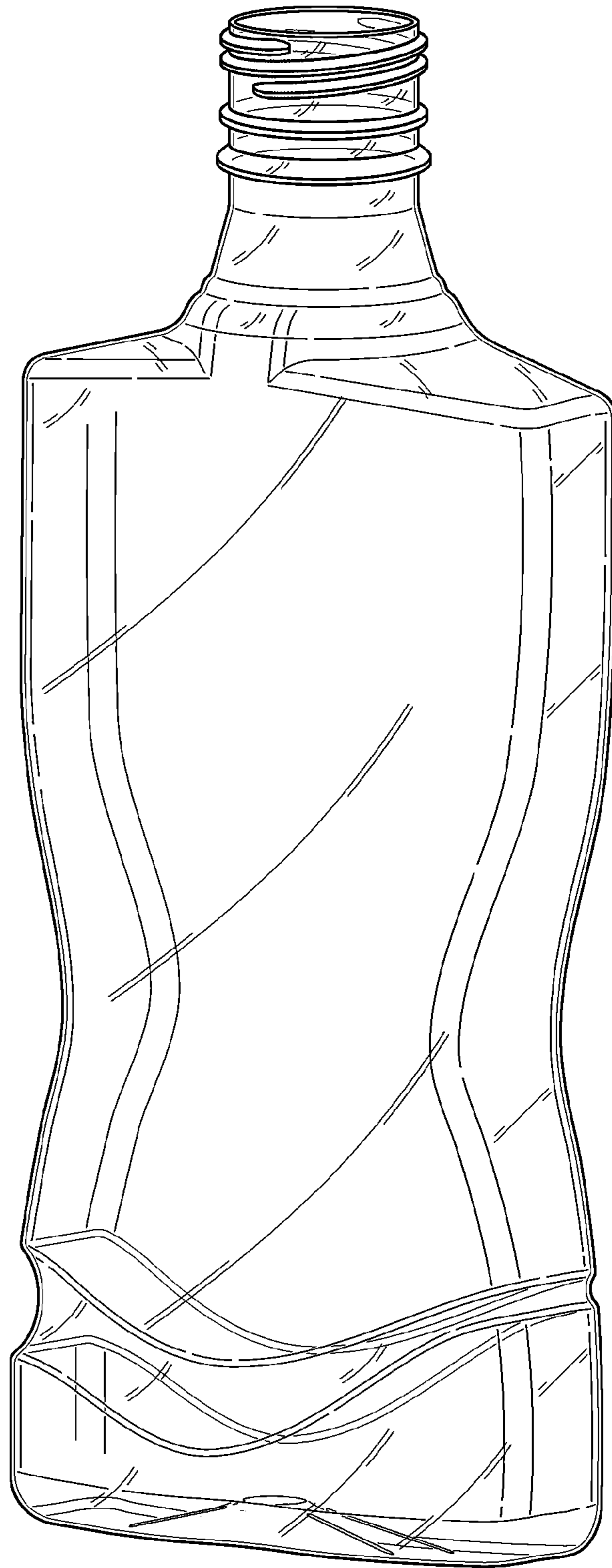


Fig. 1

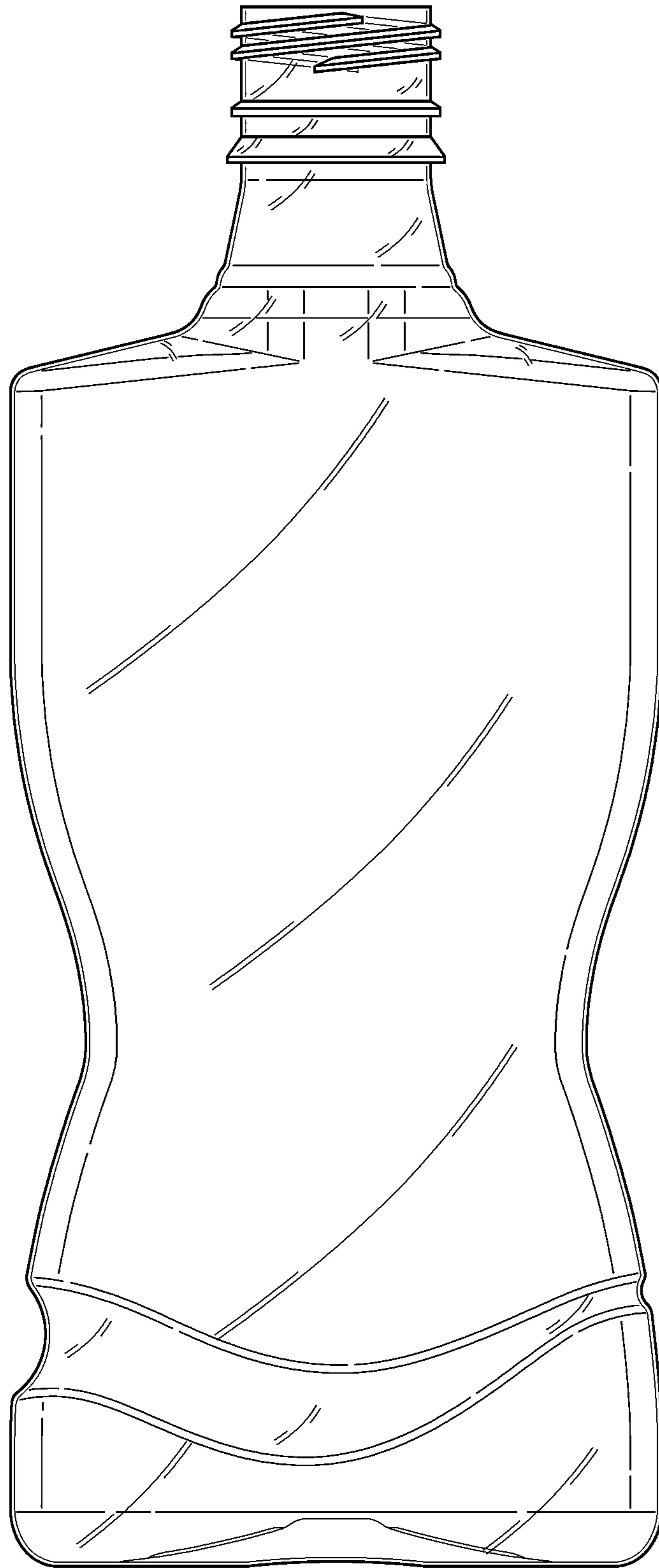


Fig. 2

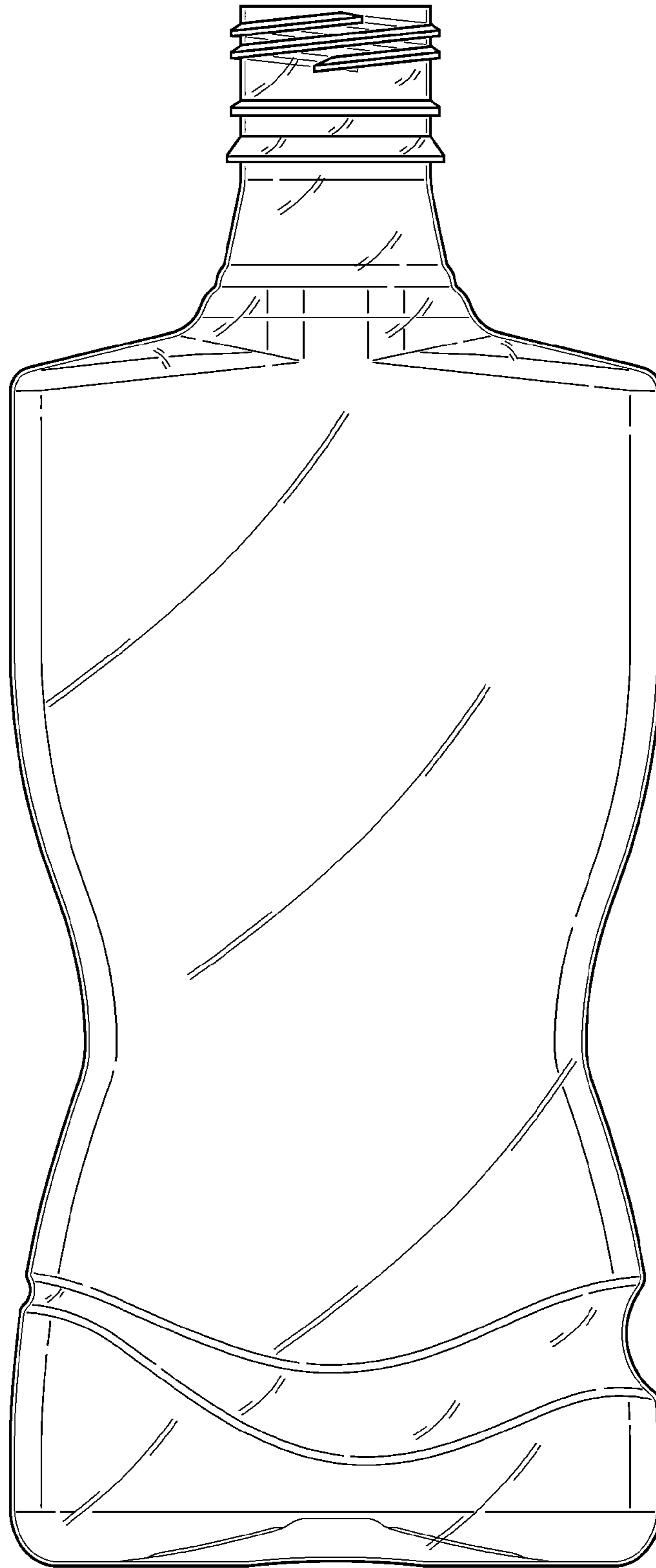


Fig. 3

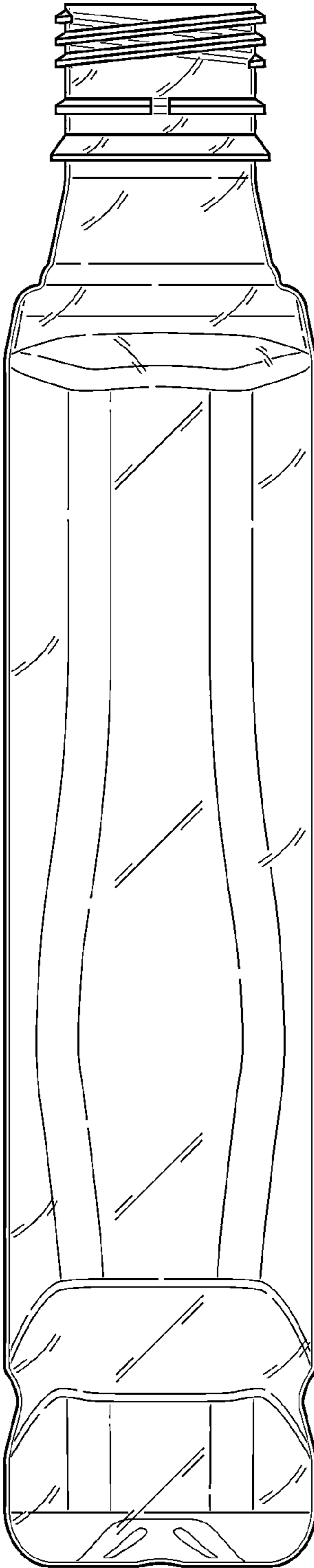


Fig. 4

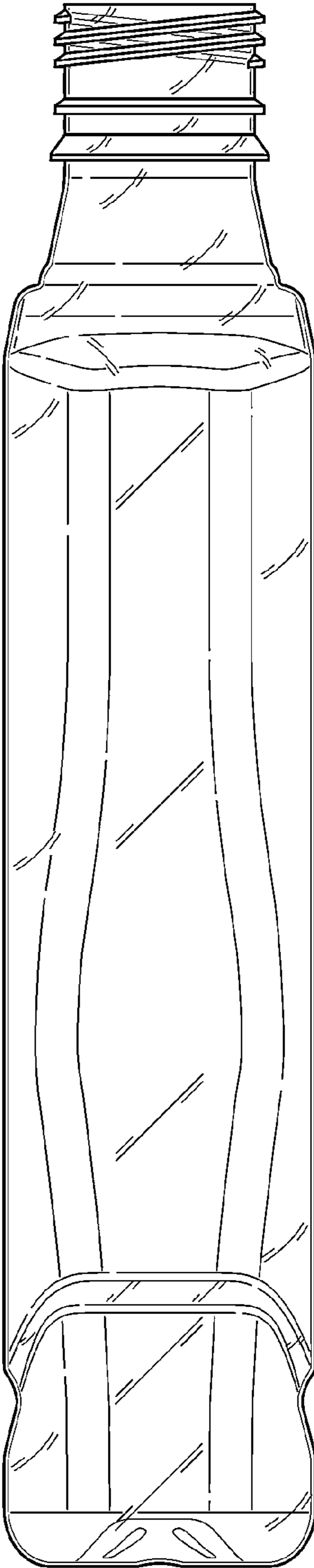


Fig. 5

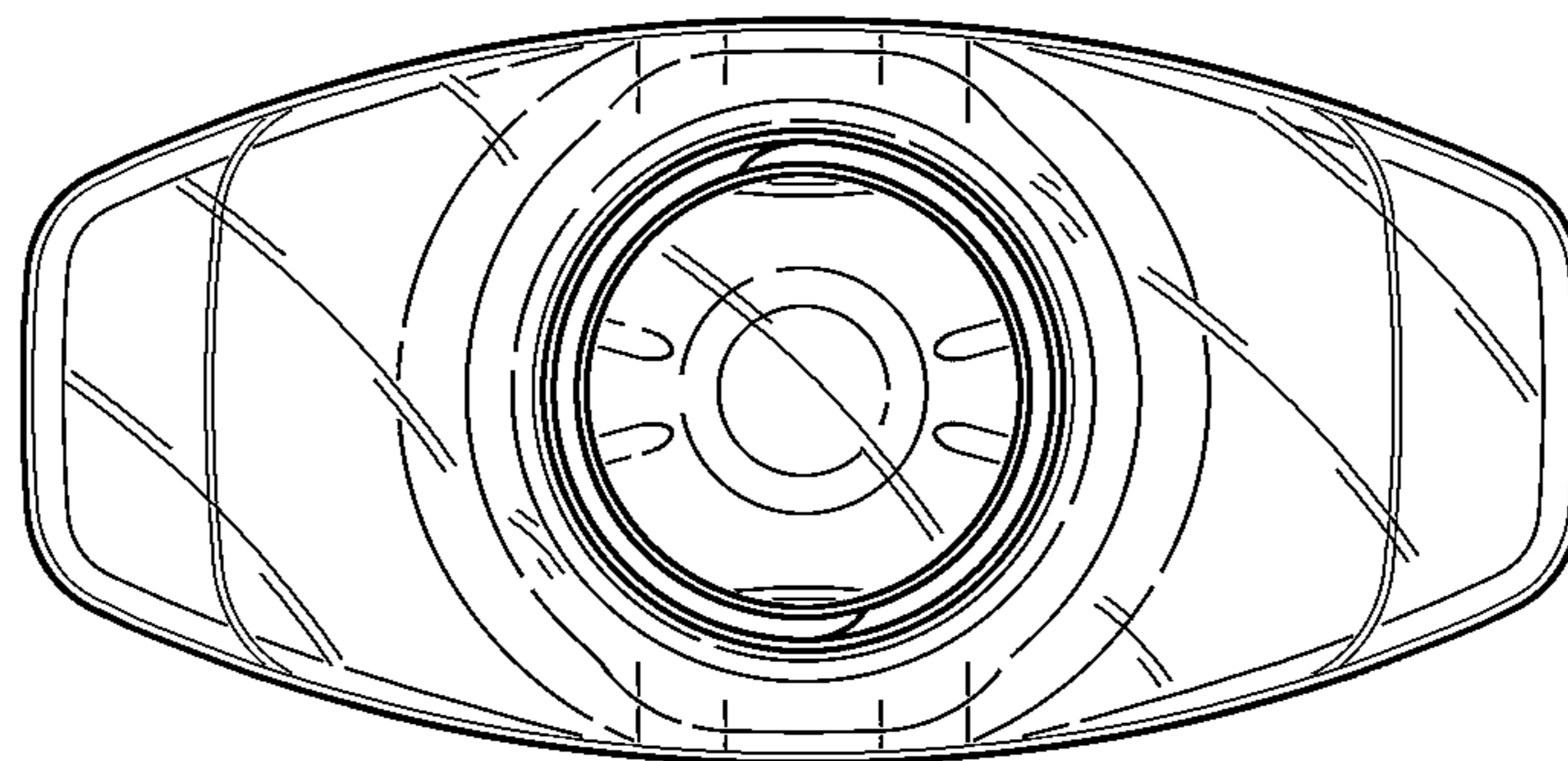


Fig. 6

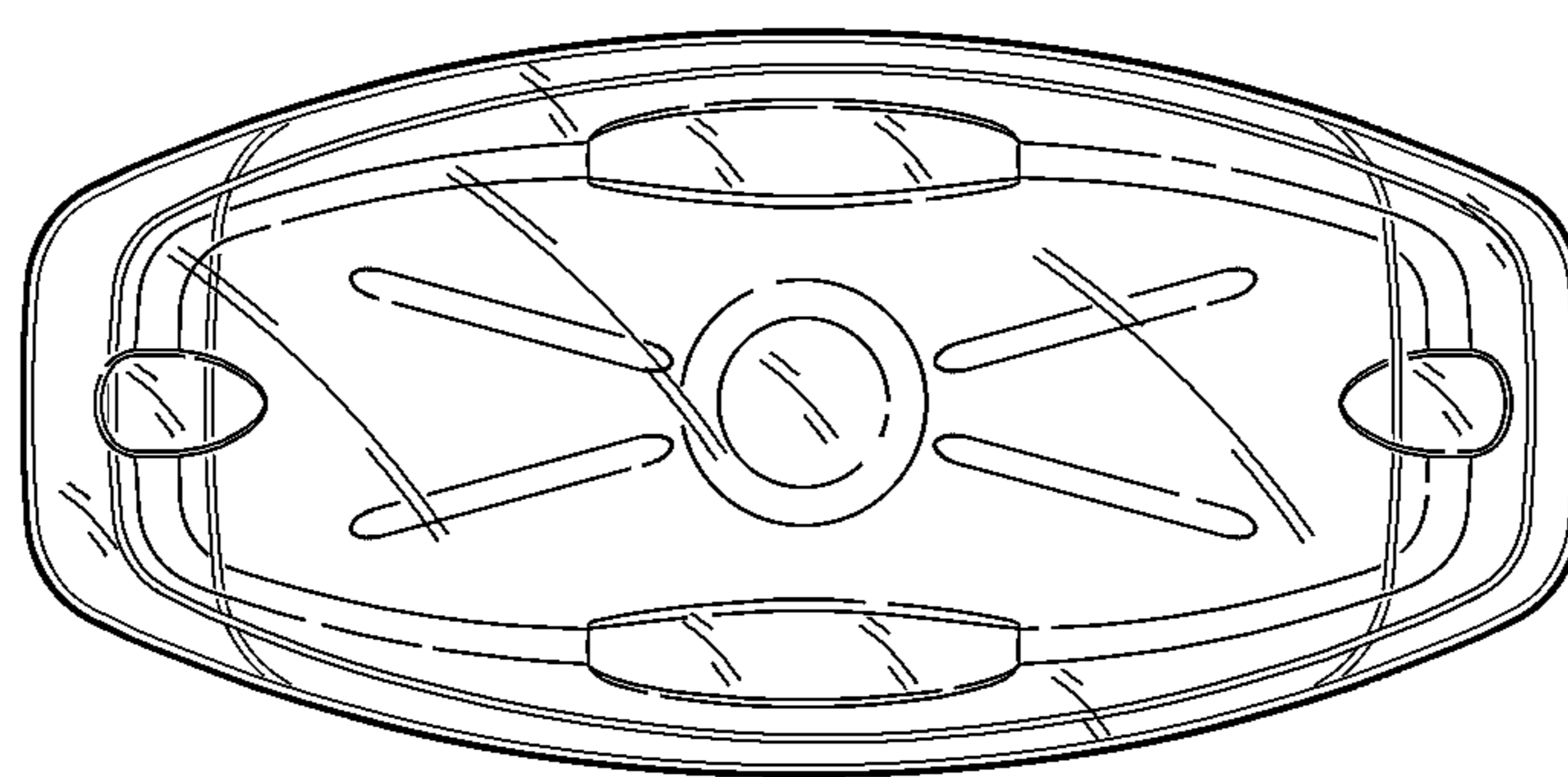


Fig. 7