



US00D720228S

(12) **United States Design Patent**
Boon

(10) **Patent No.:** **US D720,228 S**

(45) **Date of Patent:** **** Dec. 30, 2014**

(54) **BOTTLE**

D542,136 S * 5/2007 Lilico D9/559
D591,602 S * 5/2009 Lepoitevin D9/542
D598,779 S * 8/2009 Lepoitevin D9/553

(75) Inventor: **Yen Heng Boon**, Shanghai (CN)

* cited by examiner

(73) Assignee: **The Quaker Oats Company**, Chicago, IL (US)

Primary Examiner — Sandra Morris

(**) Term: **14 Years**

(74) *Attorney, Agent, or Firm* — James R. Gourley; Colin P. Cahoon; Carstens & Cahoon, LLP

(21) Appl. No.: **29/415,782**

(22) Filed: **Mar. 14, 2012**

(57) **CLAIM**

The ornamental design for a bottle, as shown and described.

(51) **LOC (10) Cl.** **09-01**

(52) **U.S. Cl.**

USPC **D9/538**; D9/551; D9/553

(58) **Field of Classification Search**

USPC D9/500–504, 537–559, 563–566;
215/381–384

See application file for complete search history.

DESCRIPTION

FIG. 1 is a top, front, right perspective view of a bottle showing my new design;

FIG. 2 is a front view thereof;

FIG. 3 is a right side view thereof;

FIG. 4 is a rear view thereof;

FIG. 5 is a left side view thereof;

FIG. 6 is a top view thereof;

FIG. 7 is a bottom view thereof; and,

FIG. 8 is a bottom perspective view thereof.

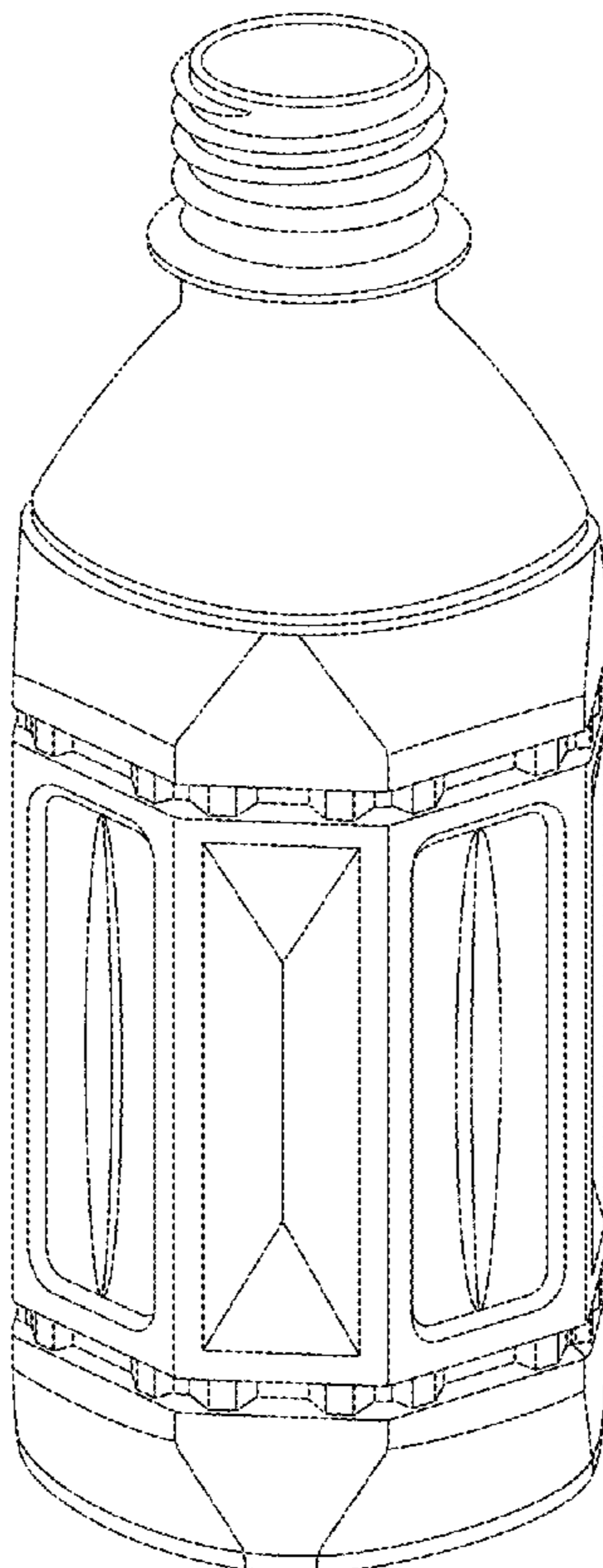
The broken lines in FIGS. 7 and 8 are included for the purpose of illustrating a portion of the bottom that forms no part of the claimed design.

(56) **References Cited**

U.S. PATENT DOCUMENTS

D393,802 S * 4/1998 Collette et al. D9/502
D423,365 S * 4/2000 Eberle et al. D9/538
6,062,409 A * 5/2000 Eberle 215/381
D427,905 S * 7/2000 Eberle D9/538
6,347,717 B1 * 2/2002 Eberle 215/381
D454,073 S * 3/2002 Crawford D9/553
D466,021 S * 11/2002 Thierjung et al. D9/538
6,585,125 B1 * 7/2003 Peek 215/381

1 Claim, 7 Drawing Sheets



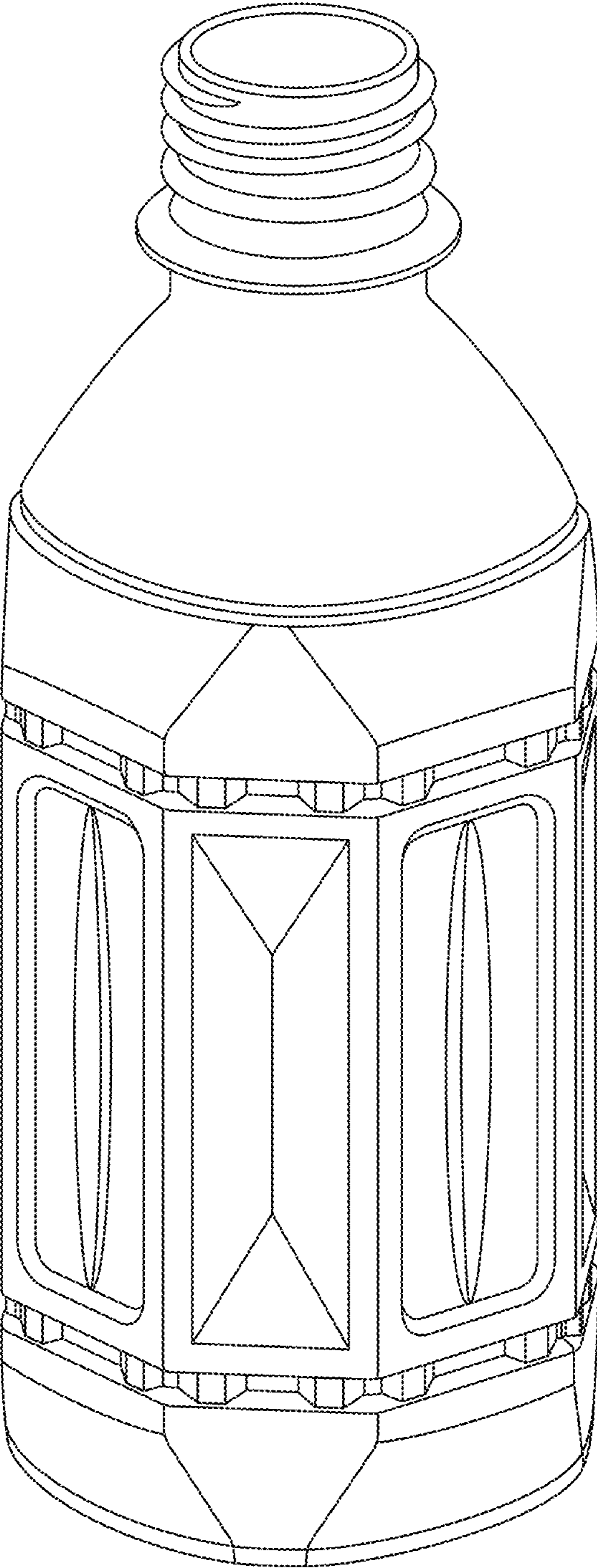


FIG. 1

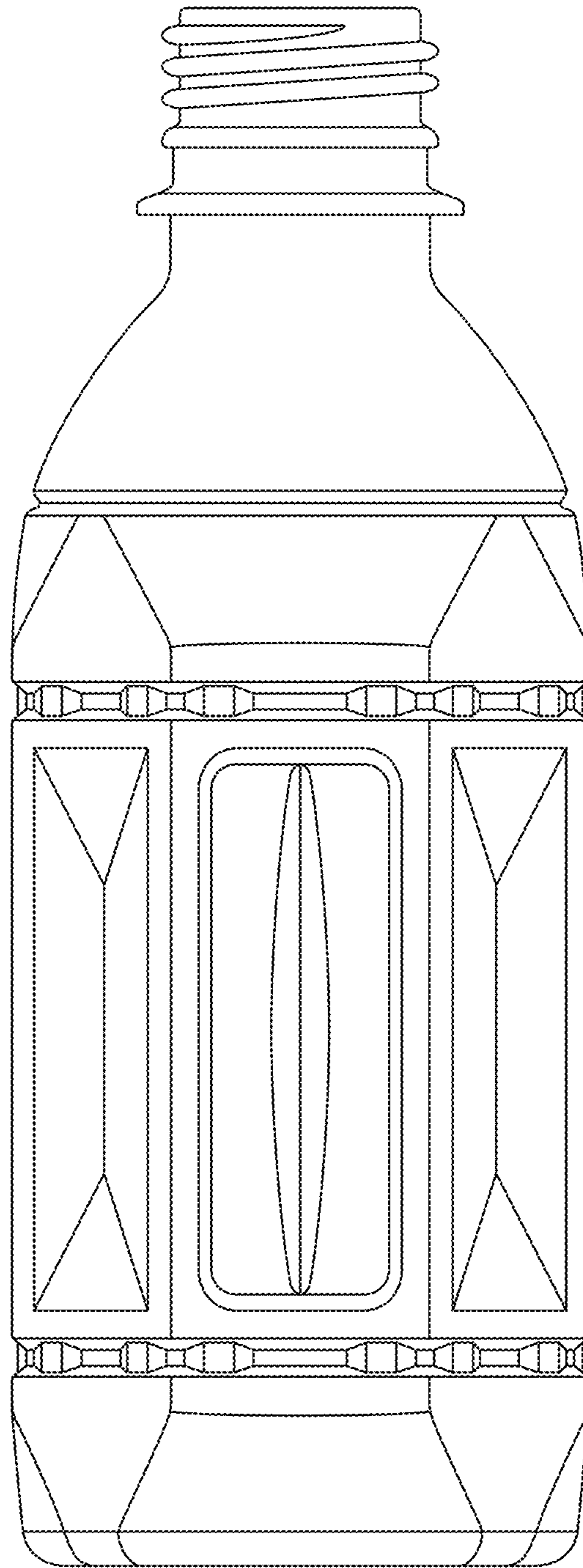


FIG. 2

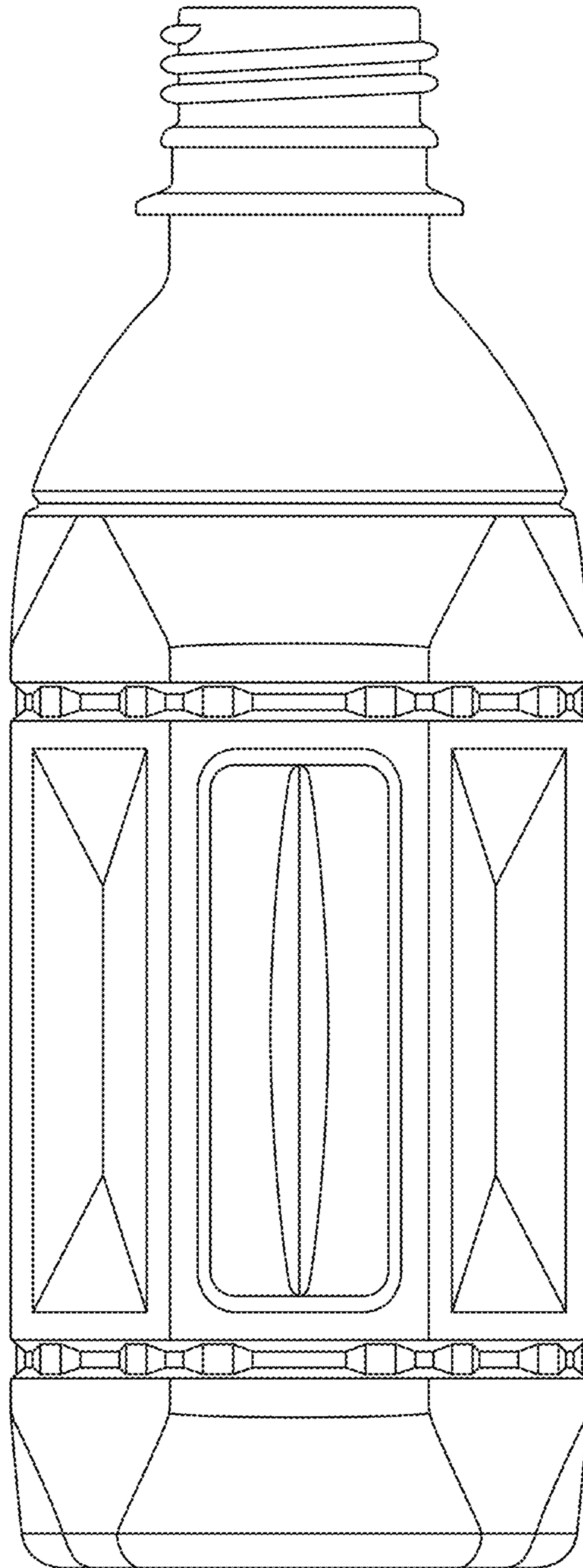


FIG. 3

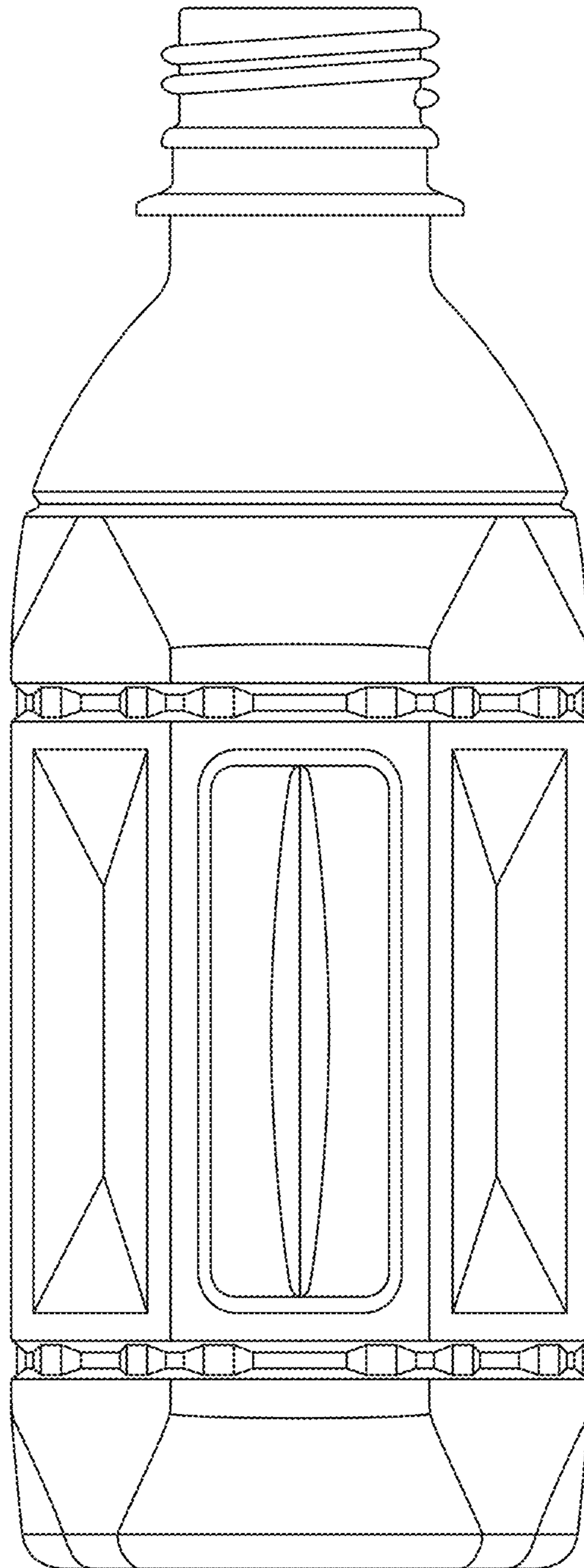


FIG. 4

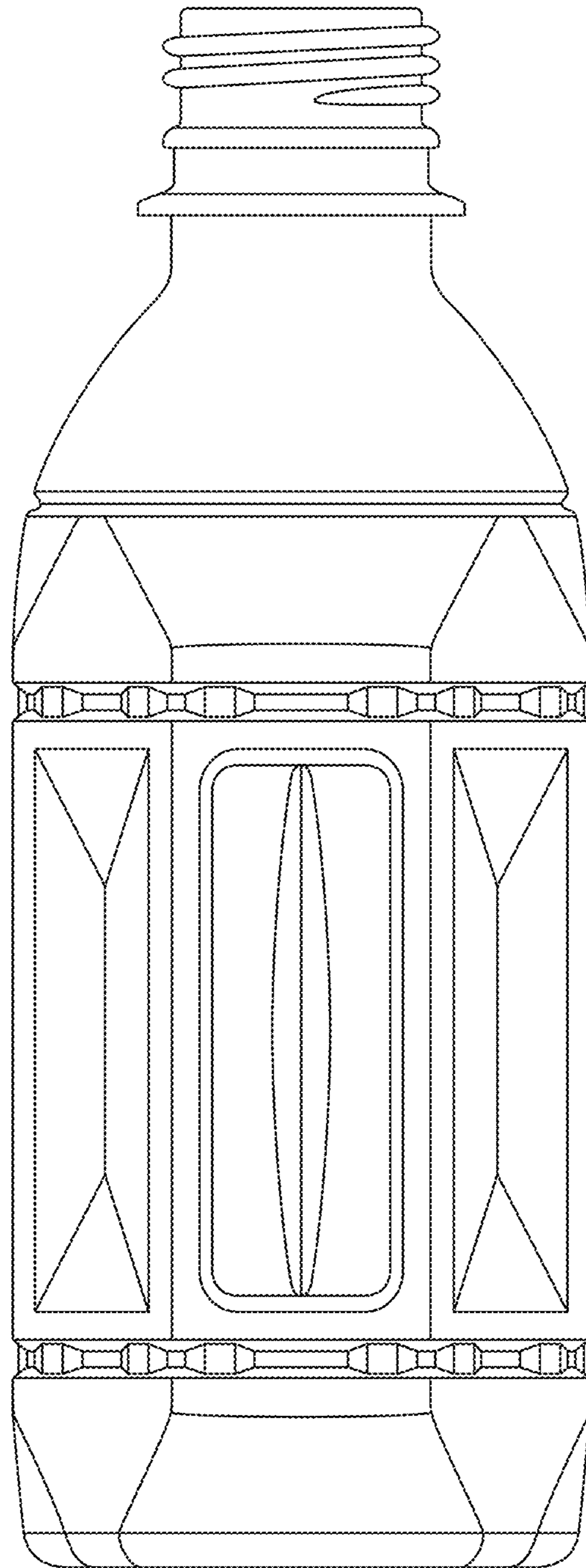


FIG. 5

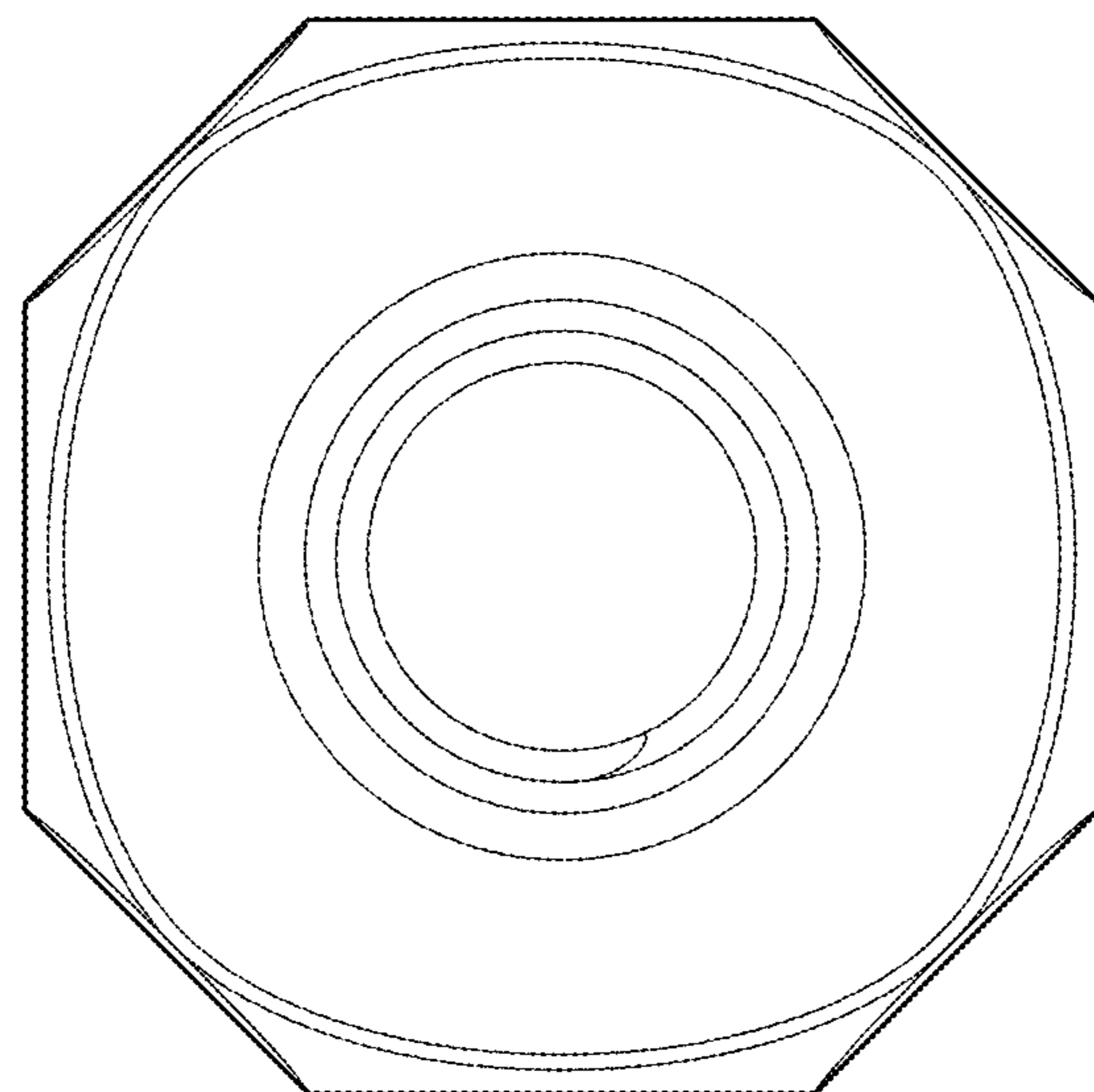


FIG. 6

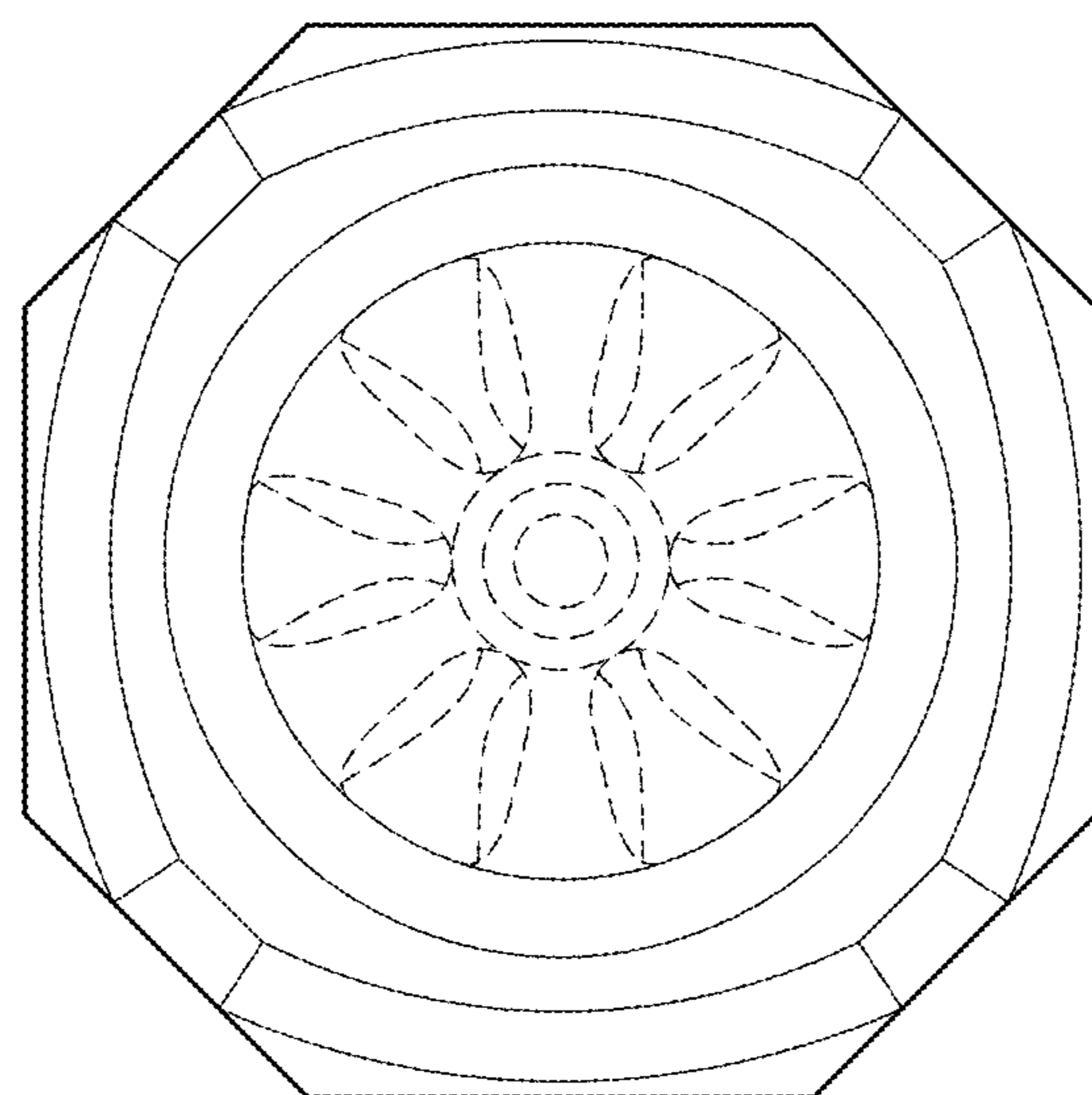


FIG. 7

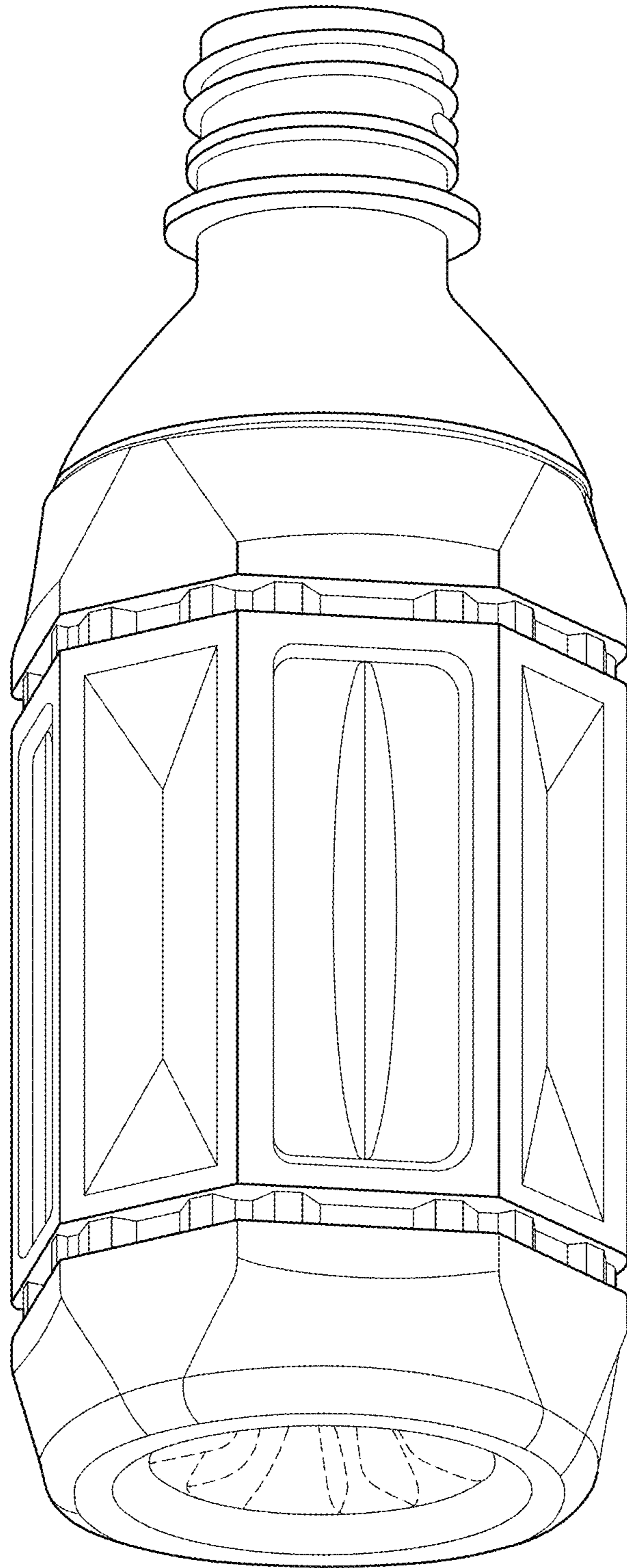


FIG. 8