



US00D720227S

(12) **United States Design Patent**
Corbett et al.

(10) **Patent No.:** **US D720,227 S**
(45) **Date of Patent:** **** Dec. 30, 2014**

(54) **CONTAINER FOR HOLDING MATERIALS**

(75) Inventors: **Julie Corbett**, Oakland, CA (US);
Romeo Graham, Chelsea (CA); **Robert Watters**, Ottawa (CA); **Michael Sirois**,
Ottawa (CA)

(73) Assignee: **Eco.Logic Brands Inc.**, Oakland, CA
(US)

(**) Term: **14 Years**

(21) Appl. No.: **29/431,407**

(22) Filed: **Sep. 6, 2012**

(51) **LOC (10) Cl.** **09-01**

(52) **U.S. Cl.**
USPC **D9/529**; D9/538; D9/551

(58) **Field of Classification Search**
USPC D9/500–505, 516–517, 529–530, 550,
D9/556, 558, 563, 569, 571–572, 574,
D9/541–542, 538, 414, 435, 449; 215/379,
215/381–382, 384; 220/660, 669
See application file for complete search history.

(56) **References Cited**

U.S. PATENT DOCUMENTS

1,452,039 A	4/1923	Gravell	
D99,757 S	5/1936	Dallas	
2,562,389 A	7/1951	Piazze	
2,822,965 A	2/1958	Smith et al.	
2,954,901 A	10/1960	Winstead	
3,017,049 A *	1/1962	Powell	D9/500
D192,535 S	4/1962	Laudano	
3,119,543 A	1/1964	Walker	
D198,404 S	6/1964	Busch	
D198,407 S	6/1964	Busch	
D201,213 S	5/1965	Petitto	
3,255,932 A	6/1966	Hunter et al.	
3,450,254 A	6/1969	Miles	
D217,439 S	5/1970	Platte	

3,610,455 A	10/1971	Greenhalgh et al.	
D233,829 S *	12/1974	Balbach	D9/503
3,941,301 A	3/1976	Jorgensen	
D258,117 S	2/1981	Bashour	
4,282,984 A	8/1981	Curry et al.	

(Continued)

FOREIGN PATENT DOCUMENTS

DE	4401719 A1	7/1994
DE	20220109 U1	4/2008

(Continued)

OTHER PUBLICATIONS

GreenBottle. Is It the End for Plastic Bottles? Flyer. Nov. 3, 2009.

(Continued)

Primary Examiner — Wan Laymon

(74) *Attorney, Agent, or Firm* — Wilson Sonsini Goodrich & Rosati

(57) **CLAIM**

The ornamental design for a container for holding materials, as shown and described.

DESCRIPTION

This application is related to the following PCT application: PCT application for Containers for Holding Materials, Application No. PCT/US2012/054035, invented by Julie Corbett, Romeo Graham, Robert Watters, and Michael Sirois and filed concurrently herewith.

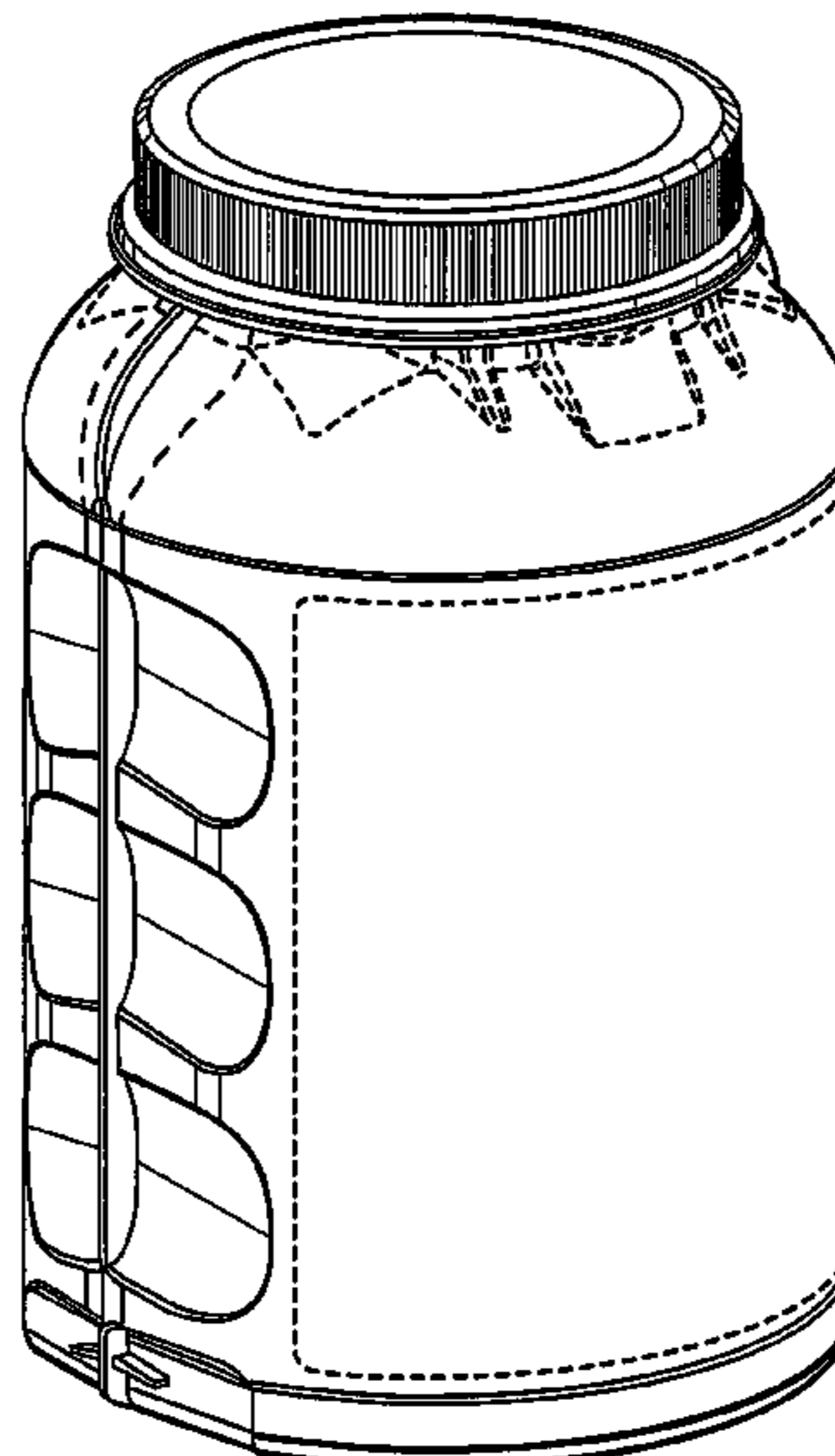
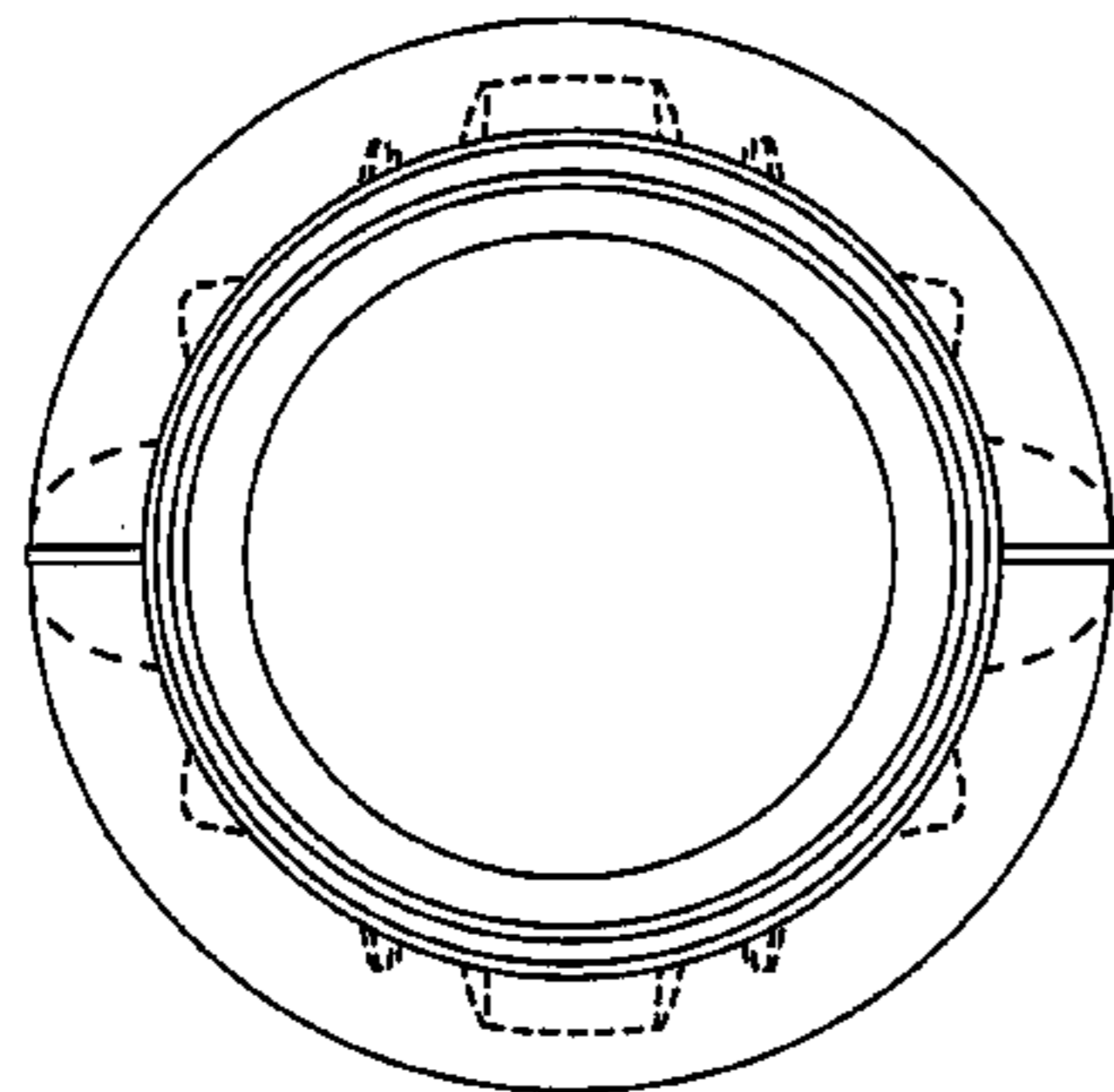
FIG. 1 is a top plan view of the container for holding materials design;

FIG. 2 is a top perspective view thereof, showing our new design; and,

FIG. 3 is a side elevational view thereof.

The broken lines in FIGS. 1-3 are for illustrative purposes only and form no part of the claimed design.

1 Claim, 3 Drawing Sheets



(56)

References Cited

FOREIGN PATENT DOCUMENTS

U.S. PATENT DOCUMENTS

4,330,066 A 5/1982 Berliner
 RE32,354 E 2/1987 Savage
 4,709,528 A 12/1987 Merkus
 4,817,830 A 4/1989 Yavorsky
 4,837,849 A 6/1989 Erickson et al.
 4,838,429 A 6/1989 Fabisiewicz et al.
 D305,980 S 2/1990 Binder et al.
 5,203,470 A 4/1993 Brown
 5,257,865 A 11/1993 Tani
 5,288,531 A 2/1994 Falla et al.
 5,363,966 A 11/1994 Czech et al.
 D354,914 S * 1/1995 Newman D9/503
 5,429,263 A 7/1995 Haubenwallner
 5,477,974 A 12/1995 Reil et al.
 D368,660 S 4/1996 Terwillegger et al.
 D372,429 S 8/1996 Slezak et al.
 D373,533 S 9/1996 Lathrop et al.
 D373,535 S 9/1996 Lathrop et al.
 D374,179 S 10/1996 Lathrop et al.
 D376,761 S 12/1996 Lathrop et al.
 5,715,992 A 2/1998 Andrews et al.
 5,735,422 A 4/1998 Binter
 D401,506 S 11/1998 Collins et al.
 5,860,555 A 1/1999 Mayled
 D408,742 S 4/1999 Goettner
 5,890,616 A 4/1999 Cravens et al.
 5,909,841 A 6/1999 Andrews et al.
 5,996,427 A 12/1999 Masek et al.
 D426,469 S * 6/2000 Mankowski et al. D9/541
 D429,465 S 8/2000 Weeden
 6,142,344 A 11/2000 Kai
 6,196,452 B1 3/2001 Andrews et al.
 6,223,945 B1 5/2001 Giblin et al.
 6,237,308 B1 5/2001 Quintin et al.
 6,290,124 B2 9/2001 Andrews et al.
 D451,401 S * 12/2001 Silvers et al. D9/538
 6,375,040 B1 4/2002 Allanson et al.
 6,398,076 B1 6/2002 Giblin et al.
 6,431,401 B1 8/2002 Giblin et al.
 6,454,134 B1 9/2002 Aujesky et al.
 6,464,106 B1 10/2002 Giblin et al.
 6,510,965 B1 1/2003 Decottignies et al.
 D471,111 S 3/2003 Kuzma et al.
 6,619,505 B1 9/2003 Decottignies et al.
 6,783,277 B2 8/2004 Edwards et al.
 6,794,053 B2 9/2004 Quintin et al.
 6,826,892 B2 12/2004 Basque et al.
 6,857,779 B2 2/2005 Olin
 6,874,299 B2 4/2005 Basque
 D508,206 S 8/2005 Meeker et al.
 7,076,935 B2 7/2006 Basque
 D543,466 S 5/2007 Little et al.
 D543,852 S 6/2007 Warren
 D607,743 S * 1/2010 Eble D9/559
 D608,211 S * 1/2010 Eble D9/569
 D633,808 S * 3/2011 Titherington D9/503
 D645,754 S 9/2011 Corbett et al.
 D645,755 S 9/2011 Corbett et al.
 8,807,377 B2 8/2014 Corbett et al.
 2005/0133578 A1 6/2005 Farha et al.
 2005/0167319 A1 8/2005 Girondi et al.
 2006/0062497 A1 3/2006 Murray
 2006/0111224 A1 5/2006 Caudle
 2006/0230588 A1 10/2006 Sprehe
 2007/0211967 A1 9/2007 Murray
 2008/0083695 A1 4/2008 Nievierowski
 2008/0083777 A1 4/2008 Lips
 2008/0210584 A1 9/2008 Barthel et al.
 2008/0267540 A1 10/2008 Ashworth
 2009/0057381 A1 3/2009 Gokhale
 2011/0036846 A1 2/2011 Corbett et al.
 2011/0220652 A1 9/2011 Corbett et al.
 2012/0024897 A1 2/2012 Corbett et al.
 2014/0252032 A1 9/2014 Corbett et al.

EP 0134142 A2 3/1985
 EP 0134142 A3 5/1986
 EP 0302600 A1 2/1989
 EP 0590424 A1 4/1994
 EP 0785023 A1 7/1997
 EP 1739025 A1 1/2007
 EP 2361847 A1 8/2011
 EP 2338807 A1 6/2012
 FR 1287487 3/1962
 GB 16490 6/1916
 GB 1207421 A 9/1970
 GB 0524789.5 12/2005
 GB 0611137.1 6/2006
 GB 2432829 6/2007
 GB 0807697.8 4/2008
 GB 0807698.6 4/2008
 GB 0811098.3 6/2008
 GB 0818551.4 10/2008
 JP S50-89191 7/1975
 JP 11-059726 A 3/1999
 JP 2001-287260 A 10/2001
 JP 2001-287620 A 10/2001
 JP 2002-542992 12/2002
 JP 2009-196644 9/2009
 JP 5098689 10/2012
 KR 20-0379463 3/2005
 WO WO 91/14630 A1 10/1991
 WO WO 93/15967 A1 8/1993
 WO WO 94/19242 A1 9/1994
 WO WO 94/19255 A1 9/1994
 WO WO 97/46465 A1 12/1997
 WO WO 99/02415 A1 1/1999
 WO WO 03/033376 A1 4/2003
 WO WO 2005/054068 A1 6/2005
 WO WO 2007/060450 A2 5/2007
 WO WO 2007/066090 A1 6/2007
 WO WO 2007/126044 A1 11/2007
 WO WO 2008/103649 A2 8/2008
 WO WO 2008/103649 A3 11/2008
 WO WO 2009/133355 A1 11/2009
 WO WO 2009/133359 A1 11/2009
 WO WO 2009/153558 A1 12/2009
 WO WO 2011/141696 A1 11/2011
 WO WO 2011/157999 A2 12/2011
 WO WO 2011/158000 A1 12/2011
 WO WO 2011/157999 A3 2/2012

OTHER PUBLICATIONS

International search report and written opinion dated Apr. 25, 2007 for PCT Application No. GB2006/004534.
 International search report and written opinion dated Aug. 12, 2011 for PCT Application No. US2011/027744.
 International search report and written opinion dated Dec. 14, 2012 for PCT Application No. US2012/054035.
 International Search report dated Mar. 25, 2010 for PCT application PCT/US2009/056754.
 Office action dated Feb. 23, 2012 for U.S. Appl. No. 13/208,933.
 Office action dated Mar. 9, 2011 for U.S. Appl. No. 12/740,350.
 Office action dated Mar. 13, 2013 for U.S. Appl. No. 12/740,350.
 Office action dated Jul. 14, 2011 for U.S. Appl. No. 12/740,350.
 Office action dated Sep. 26, 2012 for U.S. Appl. No. 13/208,933.
 Office action dated Nov. 1, 2012 for U.S. Appl. No. 12/740,350.
 U.S. Appl. No. 29/452,101, filed Apr. 11, 2013, Corbett et al.
 European search report and search opinion dated Aug. 27, 2013 for EP Application No. 13171258.
 Office action dated Jul. 9, 2013 for U.S. Appl. No. 13/044,366.
 U.S. Appl. No. 14/201,563, filed Mar. 7, 2014, Corbett et al.
 Office action dated Apr. 18, 2014 for U.S. Appl. No. 13/208,933.
 U.S. Appl. No. 14/458,189, filed Aug. 12, 2014, Corbett et al.

* cited by examiner

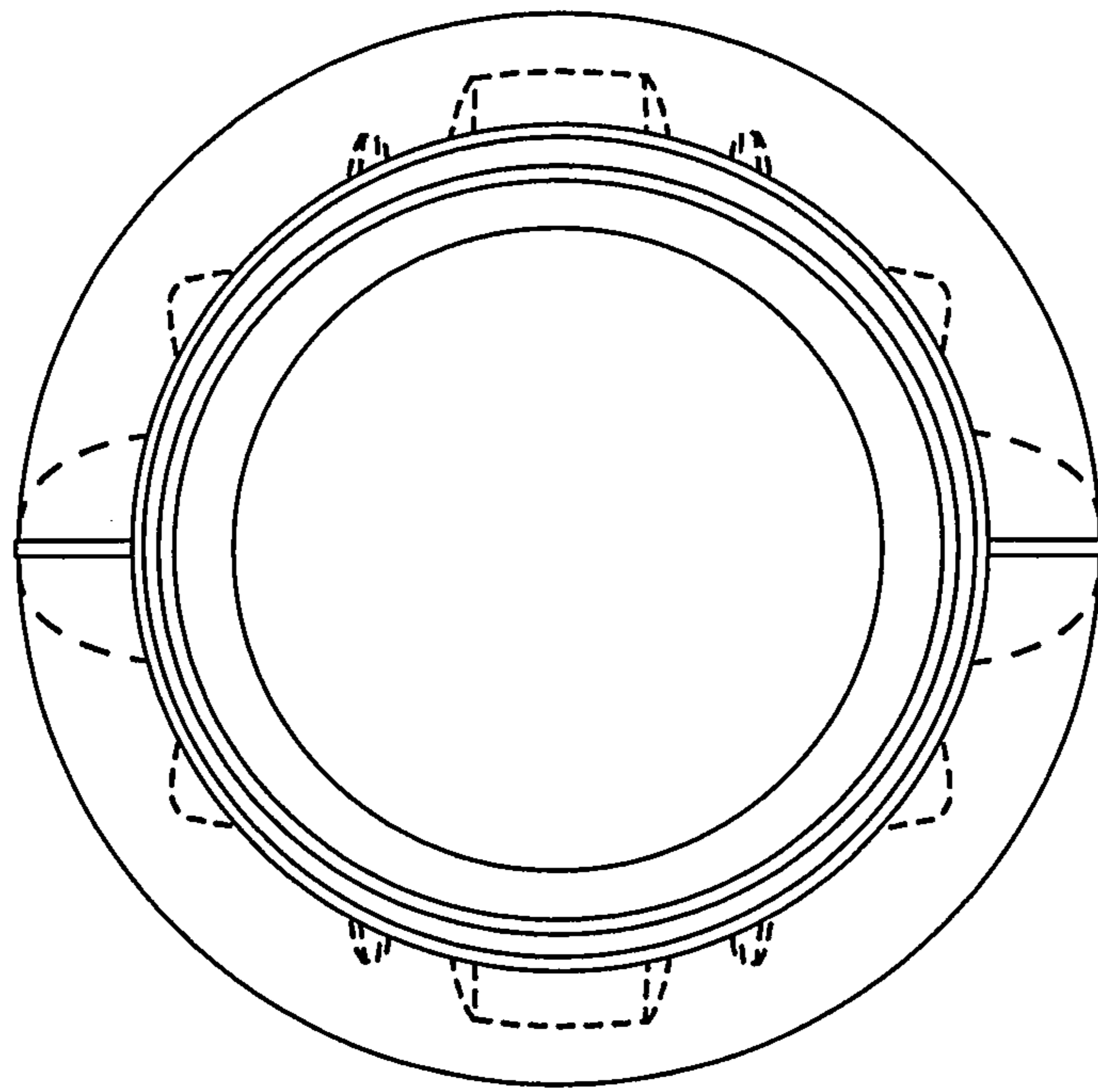


FIG. 1

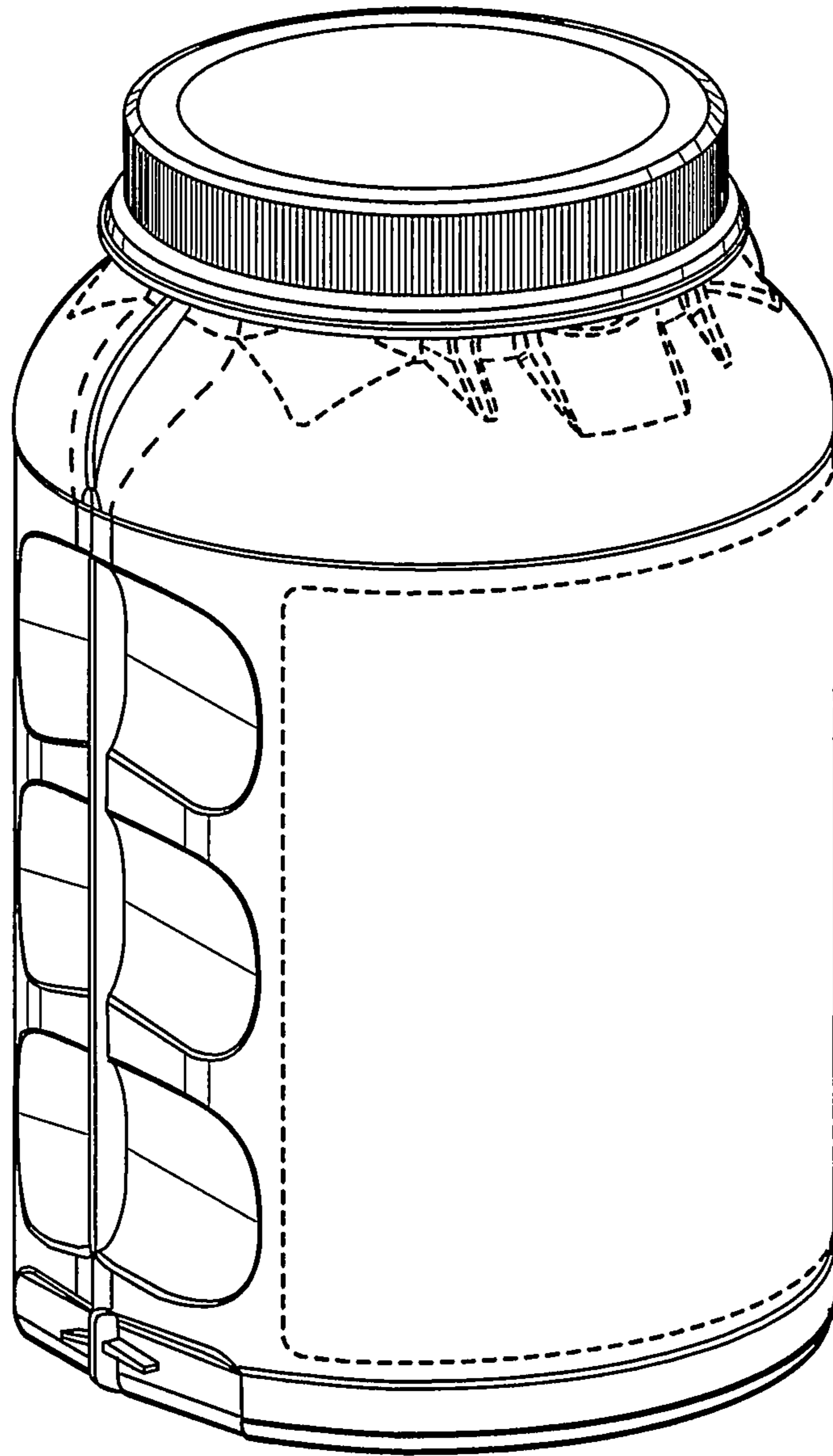


FIG. 2

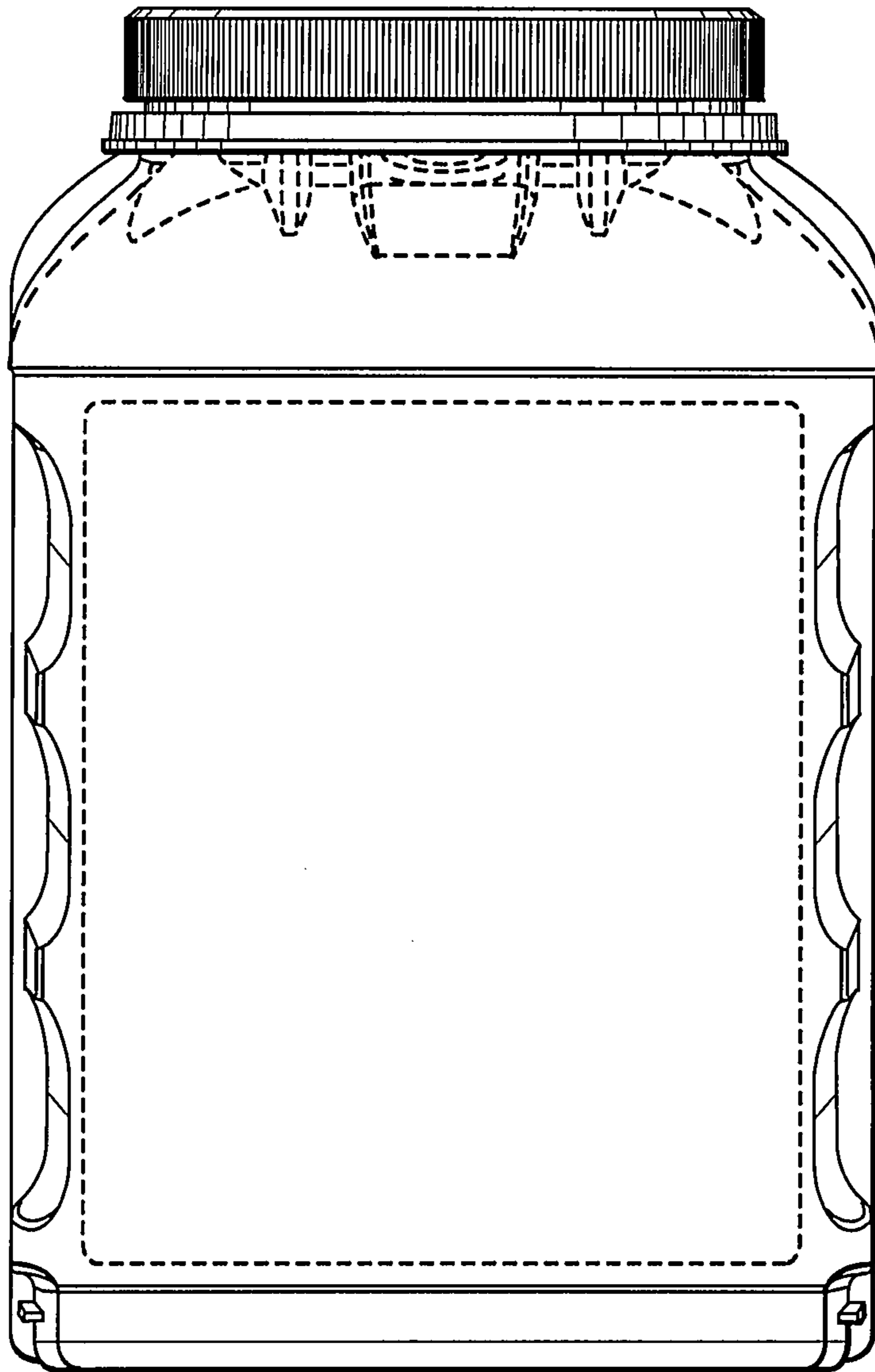


FIG. 3