



US00D720223S

(12) **United States Design Patent**
Risinger et al.

(10) **Patent No.:** **US D720,223 S**

(45) **Date of Patent:** **** Dec. 30, 2014**

(54) **PACKAGING**

(71) Applicants: **Robert Bosch Tool Corporation**,
Broadview, IL (US); **Robert Bosch**
GmbH, Stuttgart (DE)

(72) Inventors: **Tammy Risinger**, Princeville, IL (US);
Kristen Murdy, Coral Gables, FL (US)

(73) Assignee: **Robert Bosch GmbH**, Stuttgart (DE)

(**) Term: **14 Years**

(21) Appl. No.: **29/453,313**

(22) Filed: **Apr. 26, 2013**

(51) **LOC (10) Cl.** **09-03**

(52) **U.S. Cl.**
USPC **D9/456**

(58) **Field of Classification Search**
CPC B65D 85/04; B65D 85/67; B65D 85/671;
B65H 57/12
USPC D9/457, 456, 415, 418, 423, 425, 433,
D9/434, 436, 443, 713, 714; D20/22, 23,
D20/27-28, 40, 99; D21/765, 766, 768,
D21/769; 206/395, 71, 303, 349, 353, 457,
206/461, 463, 464, 471, 477, 485, 486;
242/588.4

See application file for complete search history.

(56) **References Cited**

U.S. PATENT DOCUMENTS

D30,254 S *	2/1899	Wells	D20/22
1,315,321 A *	9/1919	Moran	346/144
2,217,397 A *	10/1940	Armitt	206/395
4,399,918 A *	8/1983	Clements	211/113
5,425,480 A *	6/1995	Rabenau et al.	222/153.07
5,642,866 A *	7/1997	Nieding	242/588.4
D412,938 S *	8/1999	Kesselring et al.	D20/28
D422,776 S *	4/2000	Jackson	D2/853
6,135,282 A *	10/2000	Tandon et al.	206/395
D498,893 S *	11/2004	Parker et al.	D99/12
D554,191 S *	10/2007	Johnson	D20/28
D588,012 S *	3/2009	Navarro	D9/668

D610,202 S *	2/2010	Katz	D20/22
D615,401 S *	5/2010	Ouimette et al.	D9/457
D624,055 S *	9/2010	Lazzeroni et al.	D14/221
7,926,662 B2 *	4/2011	Ouimette et al.	206/702
D666,997 S *	9/2012	Li	D14/248
D683,216 S *	5/2013	Thompson et al.	D9/434
2006/0219589 A1 *	10/2006	Shirazi	206/395

OTHER PUBLICATIONS

Gilmour Flexogen Hose, 8-Ply, 3/4-In. x 100-Ft. (Bosch Garden & Watering). Truevalue.com—Hoses [online] p. 1 of 1. Posted Dec. 29, 2012 [retrieved on Apr. 28, 2014]. Retrieved from Internet: <URL <http://www.truevalue.com/product/Flexogen-Hose-8-Ply-34-In-x-100-Ft/38373.uts#activeTab2>>.*

* cited by examiner

Primary Examiner — Susan Bennett Hattan

Assistant Examiner — Marie Fast Horse

(74) *Attorney, Agent, or Firm* — Maginot Moore & Beck LLP

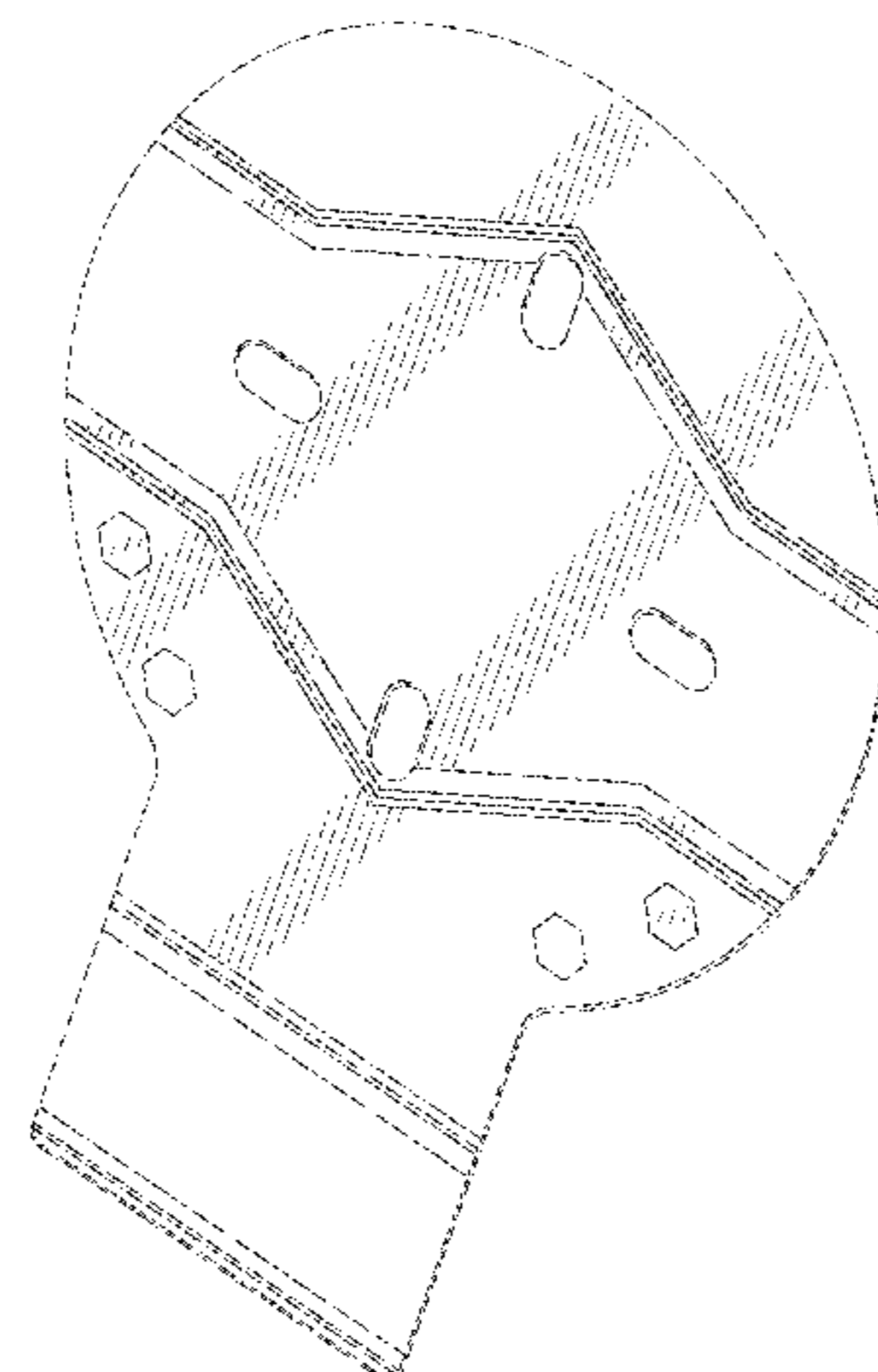
(57) **CLAIM**

The ornamental design for a packaging, as shown and described.

DESCRIPTION

FIG. 1 is a perspective view of a packaging showing our new design;
FIG. 2 is a front elevational view showing the design for the packaging of FIG. 1;
FIG. 3 is a rear elevational view showing the design for the packaging of FIG. 1;
FIG. 4 is a left side elevational view showing the design for the packaging of FIG. 1;
FIG. 5 is a right side elevational view showing the design for the packaging of FIG. 1;
FIG. 6 is a top plan view showing the design for the packaging of FIG. 1; and,
FIG. 7 is a bottom plan view showing the design for the packaging of FIG. 1.
The broken lines shown in the drawings illustrate portions of the packaging that form no part of the claimed design.

1 Claim, 5 Drawing Sheets



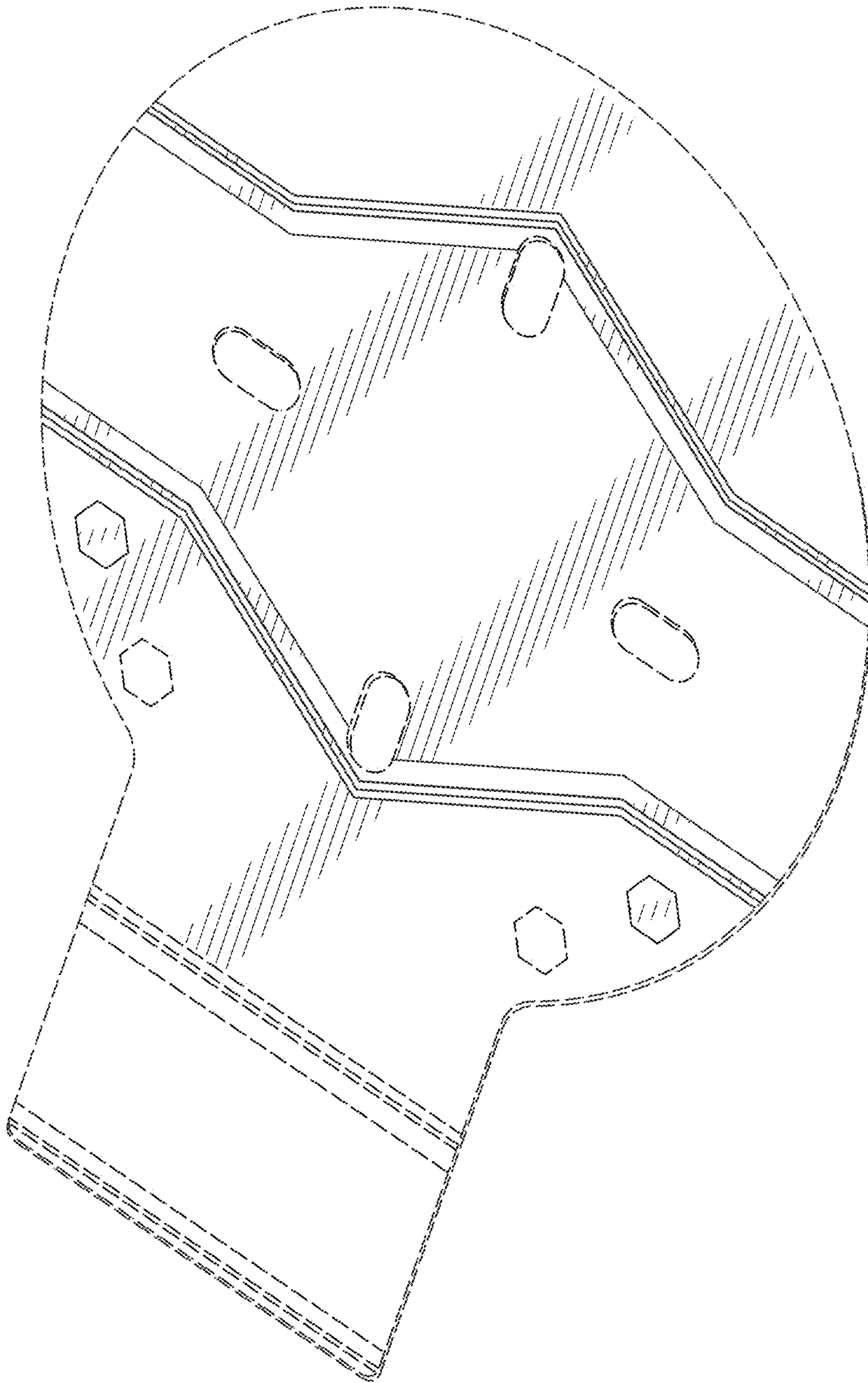


FIG. 1

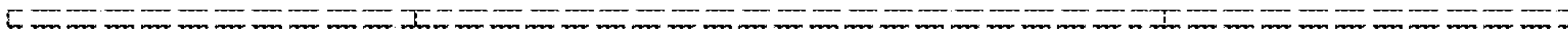


FIG. 2

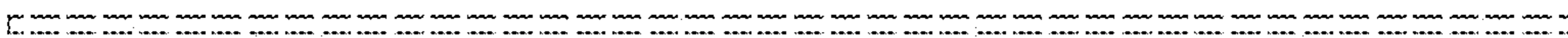


FIG. 3

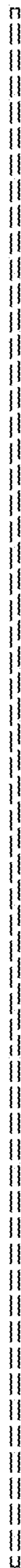


FIG. 4

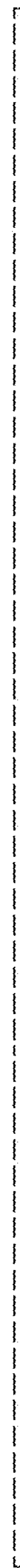


FIG. 5

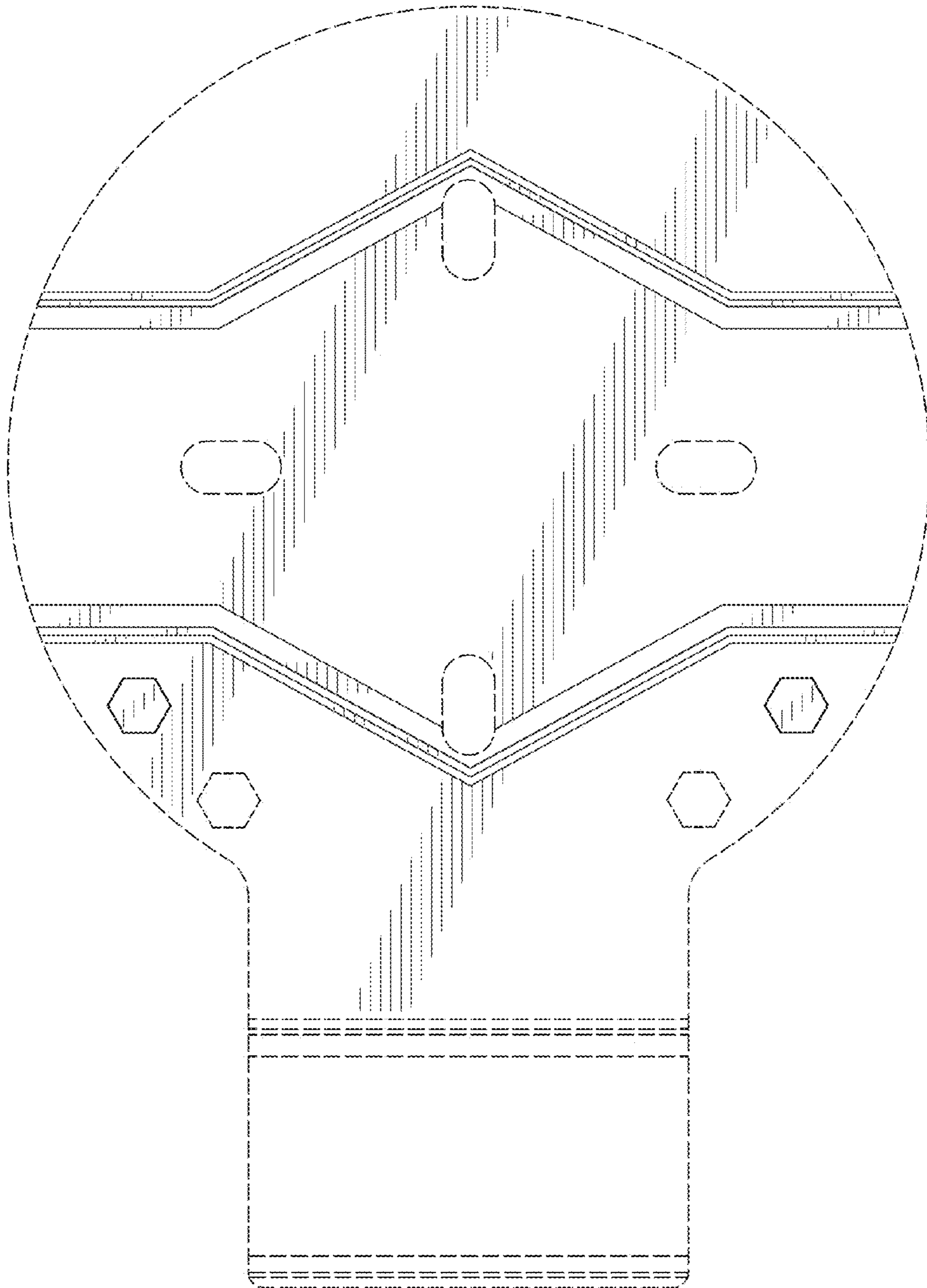


FIG. 6

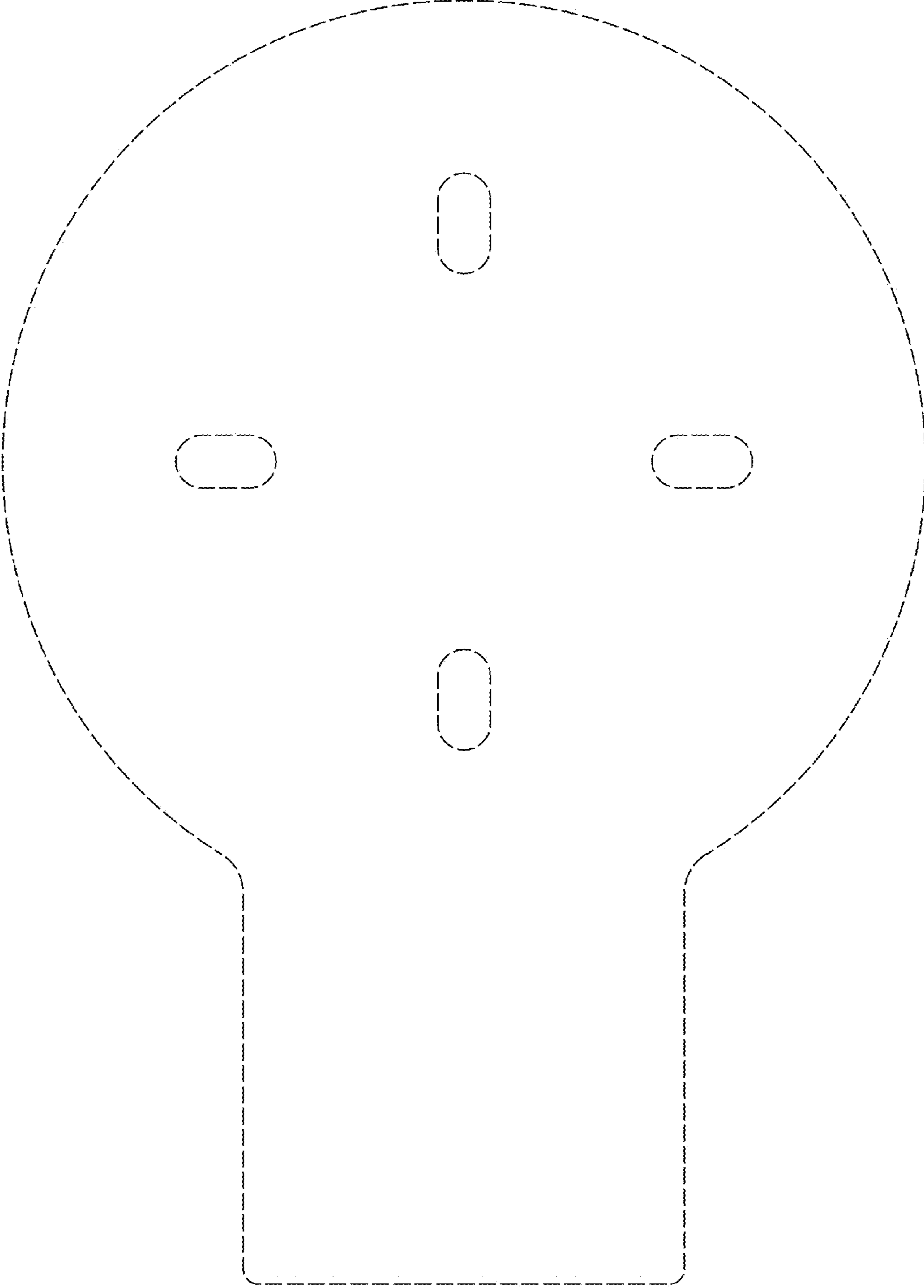


FIG. 7