



US00D720222S

(12) **United States Design Patent**
Laureano

(10) **Patent No.:** **US D720,222 S**

(45) **Date of Patent:** **** Dec. 30, 2014**

(54) **BOTTLE CAP**

(71) Applicant: **Emmanuel Laureano**, Union City, CA (US)

(72) Inventor: **Emmanuel Laureano**, Union City, CA (US)

(**) Term: **14 Years**

(21) Appl. No.: **29/479,425**

(22) Filed: **Jan. 15, 2014**

(51) **LOC (10) Cl.** **09-07**

(52) **U.S. Cl.**
USPC **D9/453**

(58) **Field of Classification Search**
USPC D9/434, 435, 440, 447, 449, 451, 452, D9/453, 454, 705, 707-710; D7/387, 392, D7/392.1; 215/252; 220/288, 711, 714, 220/717; 222/567, 569, 570, 571, 572
See application file for complete search history.

(56) **References Cited**

U.S. PATENT DOCUMENTS

D225,308 S * 12/1972 Barefoot D9/454
4,202,456 A 5/1980 Silber

(Continued)

Primary Examiner — Robert M Spear

(74) *Attorney, Agent, or Firm* — Kathleen L. Choi

(57) **CLAIM**

The ornamental design for a bottle cap, as shown and described.

DESCRIPTION

FIG. 1 is a top perspective view of a bottle cap showing a new design according to one embodiment;

FIG. 2 is a bottom perspective view of the bottle cap shown in FIG. 1;

FIG. 3 is a front view of the bottle cap shown in FIG. 1;

FIG. 4 is a rear view of the bottle cap shown in FIG. 1;
FIG. 5 is a left side elevational view of the bottle cap shown in FIG. 1;

FIG. 6 is a right side elevational view of the bottle cap shown in FIG. 1;

FIG. 7 is a top plan view of the bottle cap shown in FIG. 1;

FIG. 8 is a bottom plan view of the bottle cap shown in FIG. 1;

FIG. 9 is a top perspective view of a second embodiment of a bottle cap;

FIG. 10 is a bottom perspective view of the bottle cap shown in FIG. 9;

FIG. 11 is a front view of the bottle cap shown in FIG. 9;

FIG. 12 is a rear view of the bottle cap shown in FIG. 9;

FIG. 13 is a left side elevational view of the bottle cap shown in FIG. 9;

FIG. 14 is a right side elevational view of the bottle cap shown in FIG. 9;

FIG. 15 is a top plan view of the bottle cap shown in FIG. 9;

FIG. 16 is a bottom plan view of the bottle cap shown in FIG. 9;

FIG. 17 is a top perspective view of a third embodiment of a bottle cap;

FIG. 18 is a bottom perspective view of the bottle cap shown in FIG. 17;

FIG. 19 is a front view of the bottle cap shown in FIG. 17;

FIG. 20 is a rear view of the bottle cap shown in FIG. 17;

FIG. 21 is a left side elevational view of the bottle cap shown in FIG. 17;

FIG. 22 is a right side elevational view of the bottle cap shown in FIG. 17;

FIG. 23 is a top plan view of the bottle cap shown in FIG. 17;

FIG. 24 is a bottom plan view of the bottle cap shown in FIG. 17;

FIG. 25 is a top perspective view of a fourth embodiment of a bottle cap;

FIG. 26 is a bottom perspective view of the bottle cap shown in FIG. 25;

FIG. 27 is a front view of the bottle cap shown in FIG. 25;

FIG. 28 is a rear view of the bottle cap shown in FIG. 25;

FIG. 29 is a left side elevational view of the bottle cap shown in FIG. 25;

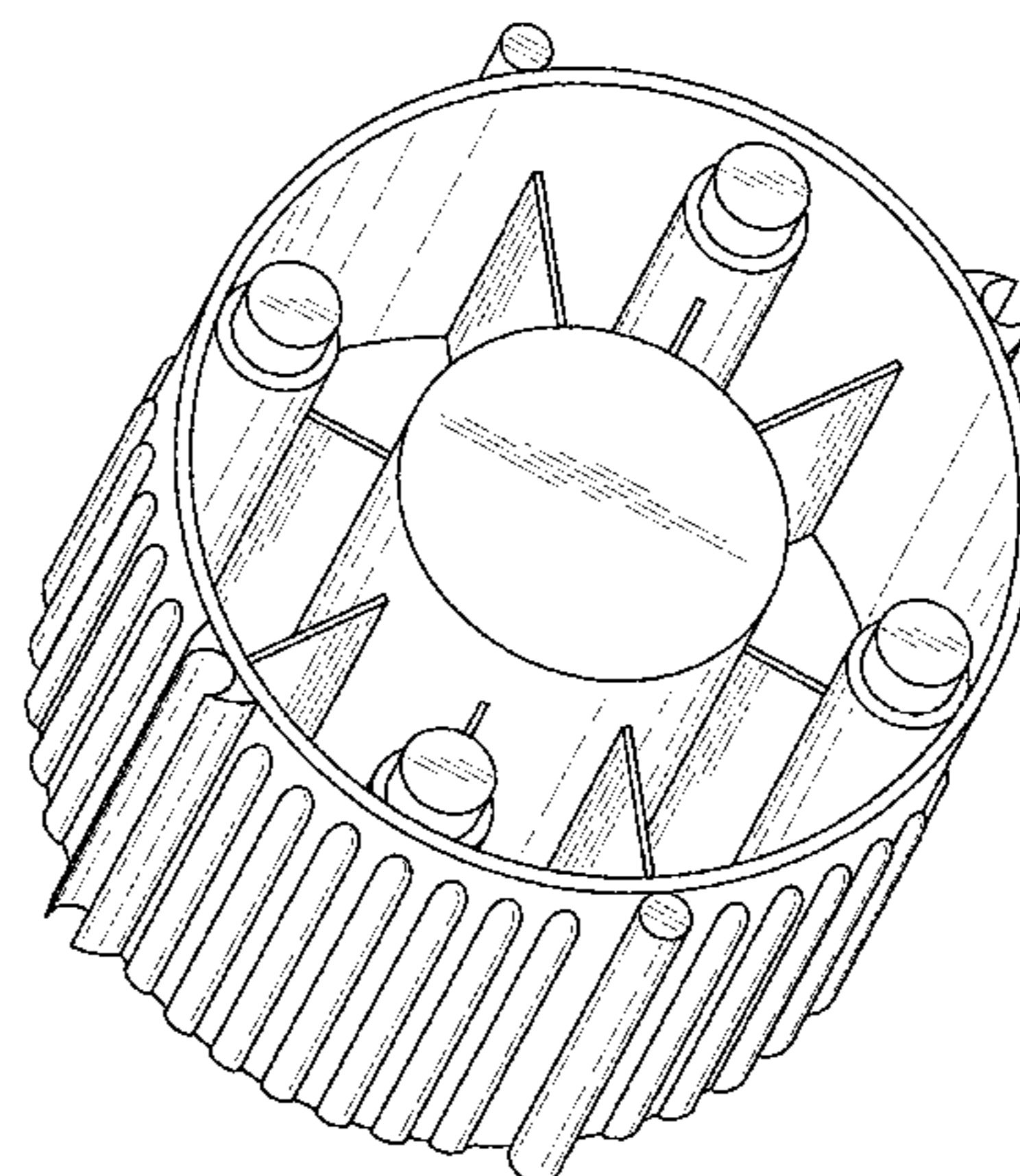
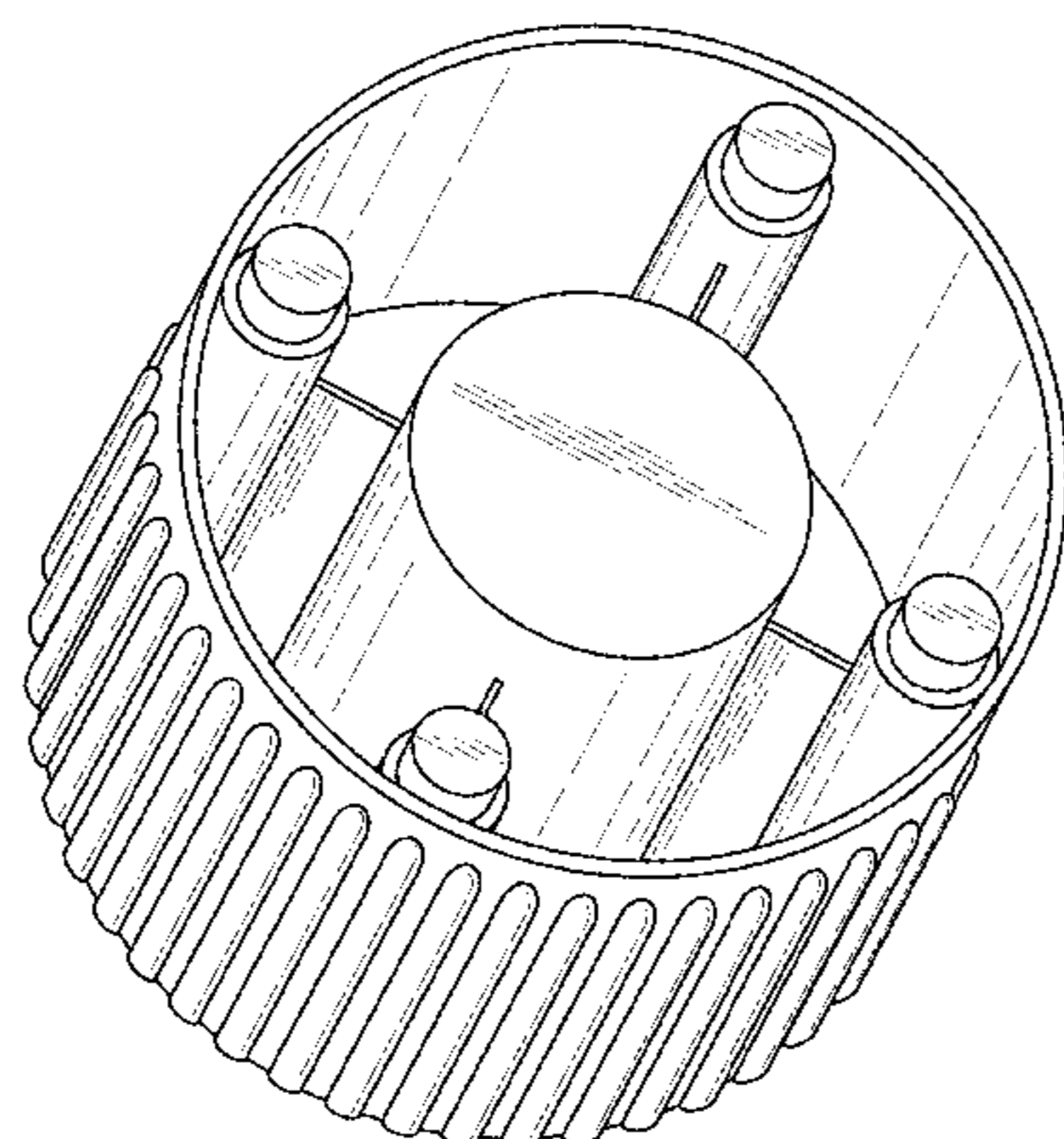
FIG. 30 is a right side elevational view of the bottle cap shown in FIG. 25;

FIG. 31 is a top plan view of the bottle cap shown in FIG. 25;

and,
FIG. 32 is a bottom plan view of the bottle cap shown in FIG. 25.

The broken lines in the drawings represent unclaimed environmental subject matter and form no part of the claim.

1 Claim, 20 Drawing Sheets



(56)

References Cited

U.S. PATENT DOCUMENTS

5,361,919 A 11/1994 Hull et al.
 D445,679 S * 7/2001 Malmberg D9/434
 D469,693 S * 2/2003 Weiss et al. D9/452
 6,702,642 B1 3/2004 Parein
 D547,657 S * 7/2007 Tacchella D9/454
 D556,037 S * 11/2007 D'Amato D9/454
 7,371,146 B2 5/2008 Scarborough
 D679,590 S * 4/2013 Stull et al. D9/452

D679,598 S * 4/2013 Miceli et al. D9/453
 D679,999 S * 4/2013 Miceli et al. D9/453
 D680,000 S * 4/2013 Miceli et al. D9/453
 D680,001 S * 4/2013 Miceli et al. D9/453
 D680,002 S * 4/2013 Miceli et al. D9/454
 D683,625 S 6/2013 Araujo et al.
 D684,057 S * 6/2013 Kwon D9/453
 D706,631 S * 6/2014 Wilson et al. D9/436
 2011/0139745 A1 6/2011 Ezra et al.
 2013/0090033 A1 4/2013 Vollers et al.

* cited by examiner

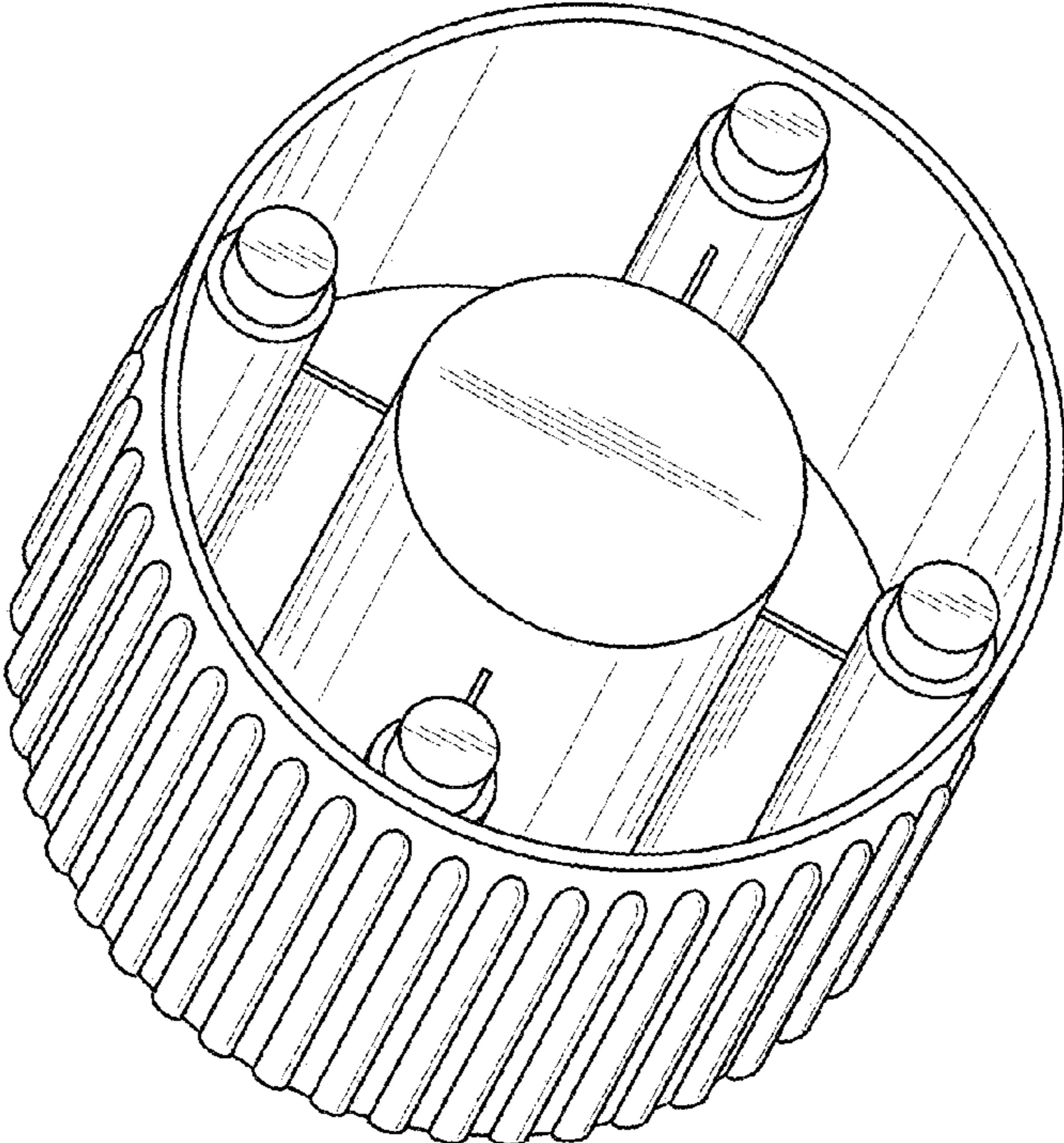


FIG. 1

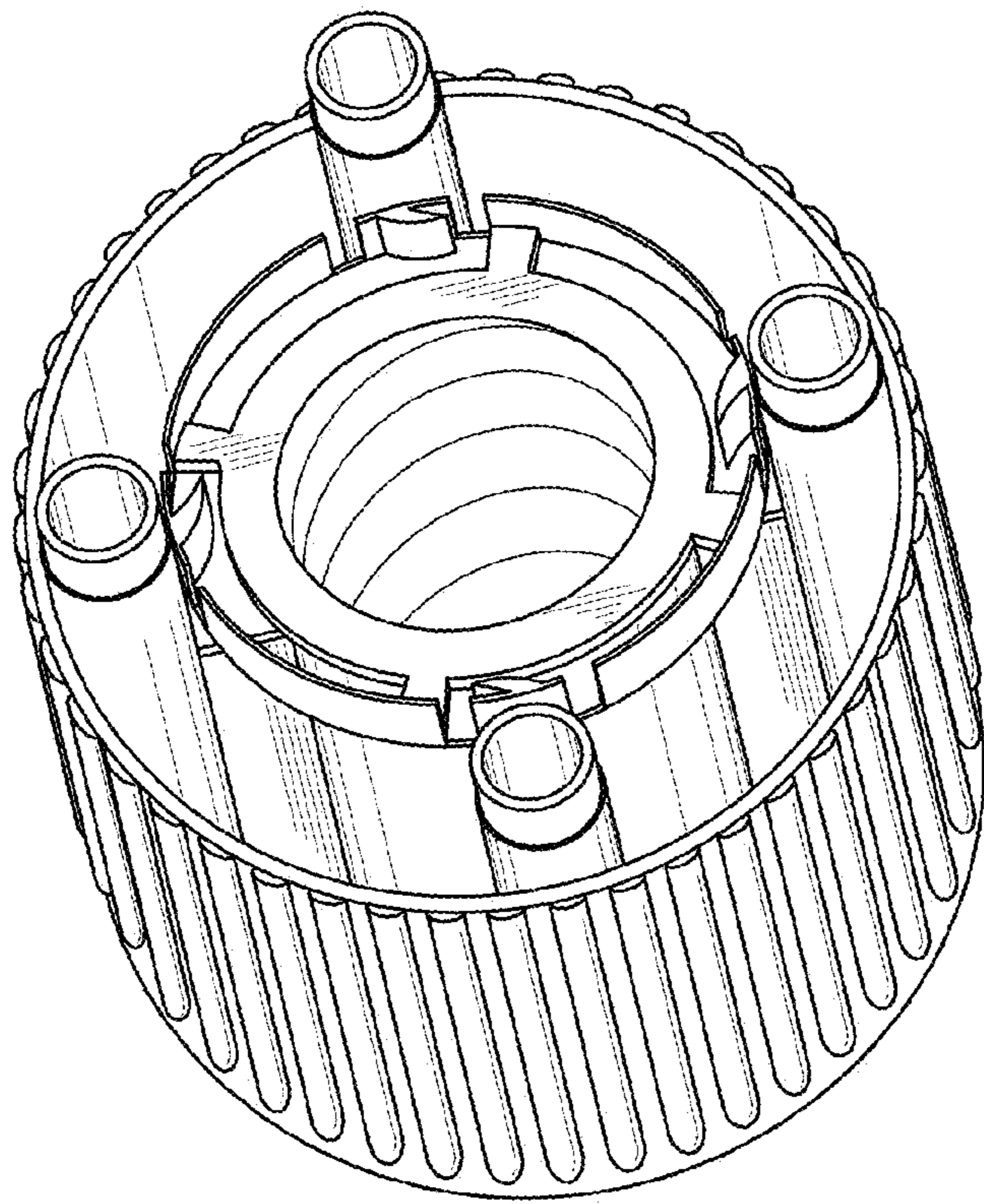


FIG. 2

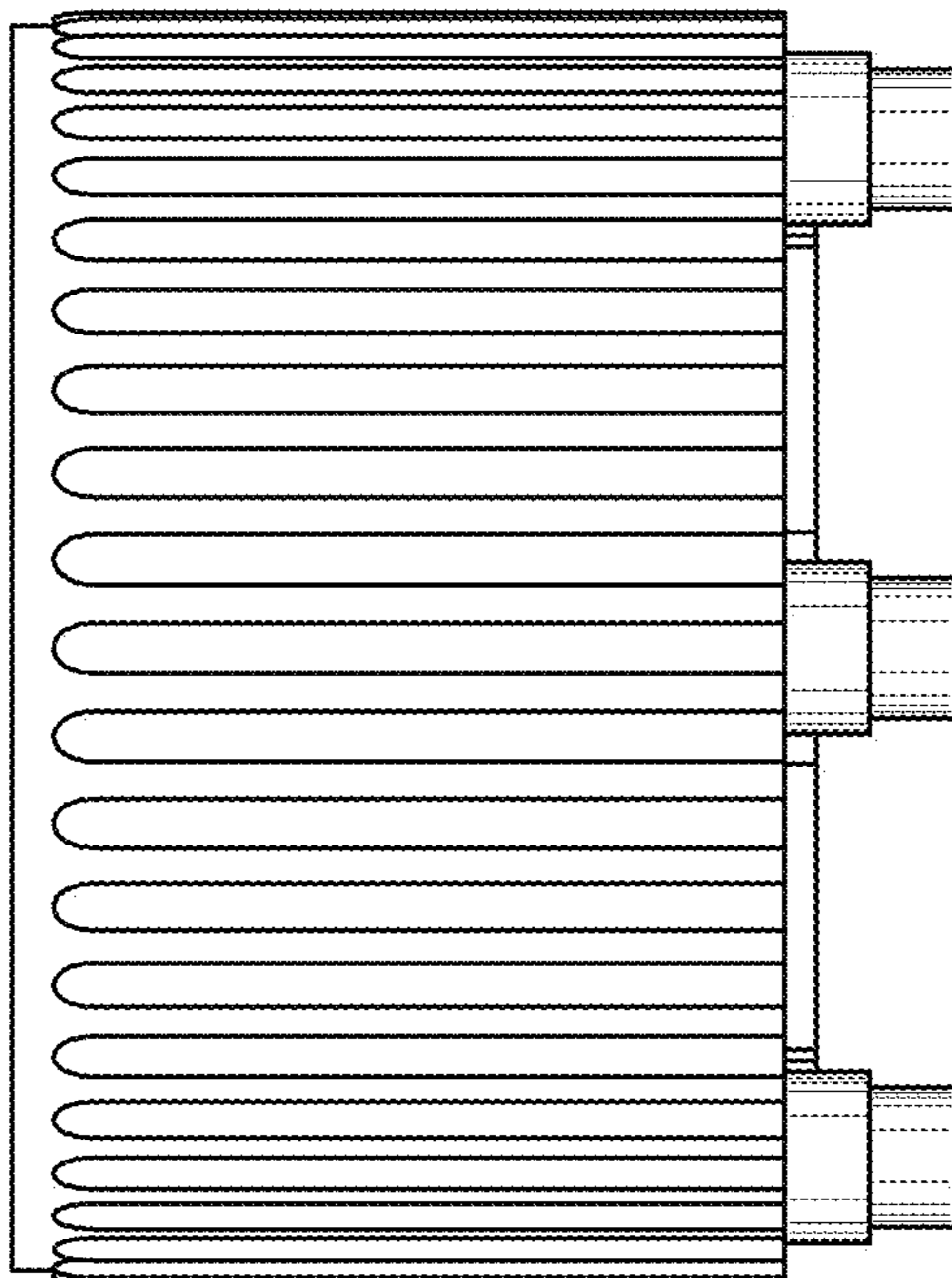


FIG. 4

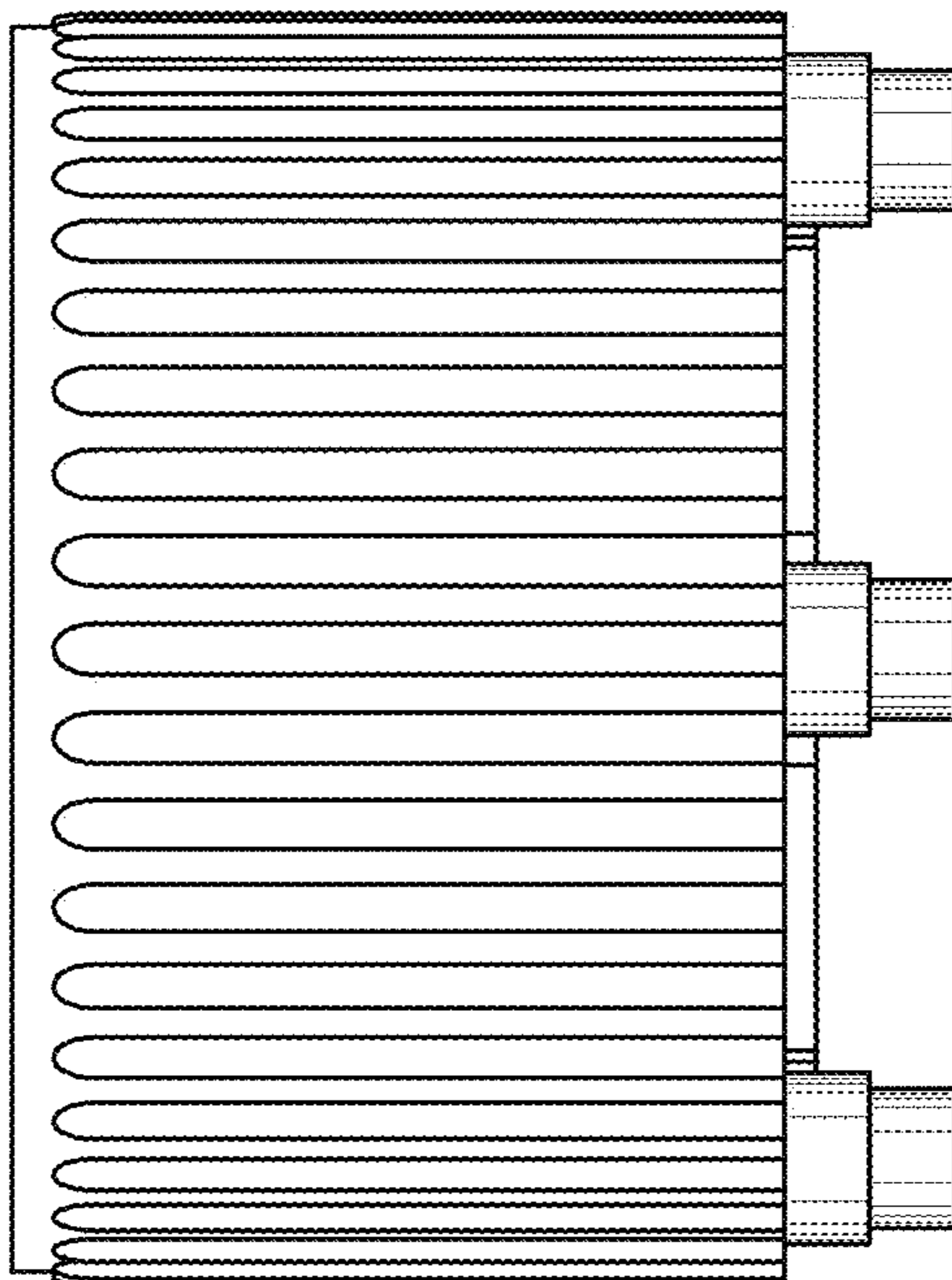


FIG. 3

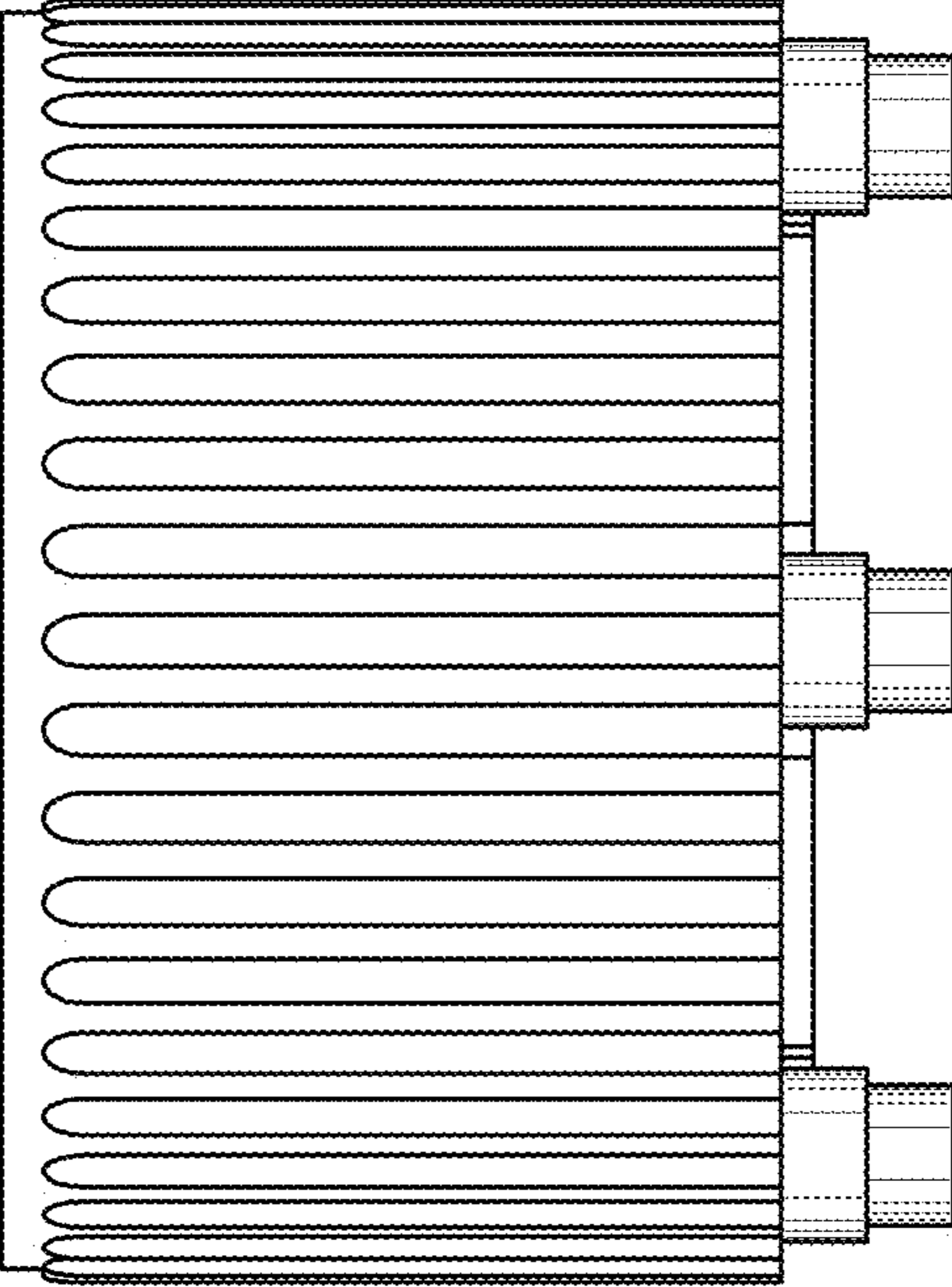


FIG. 5

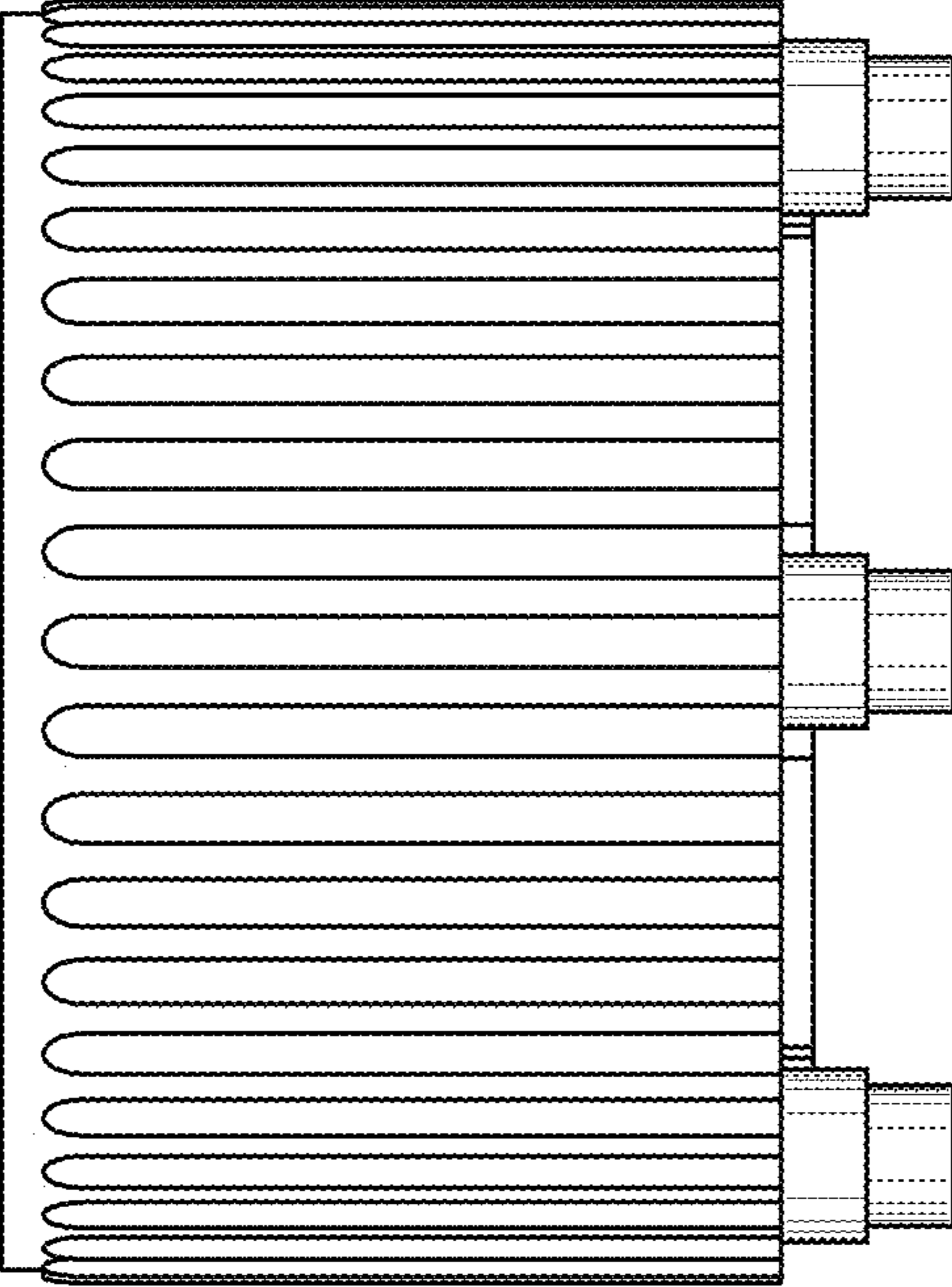


FIG. 6

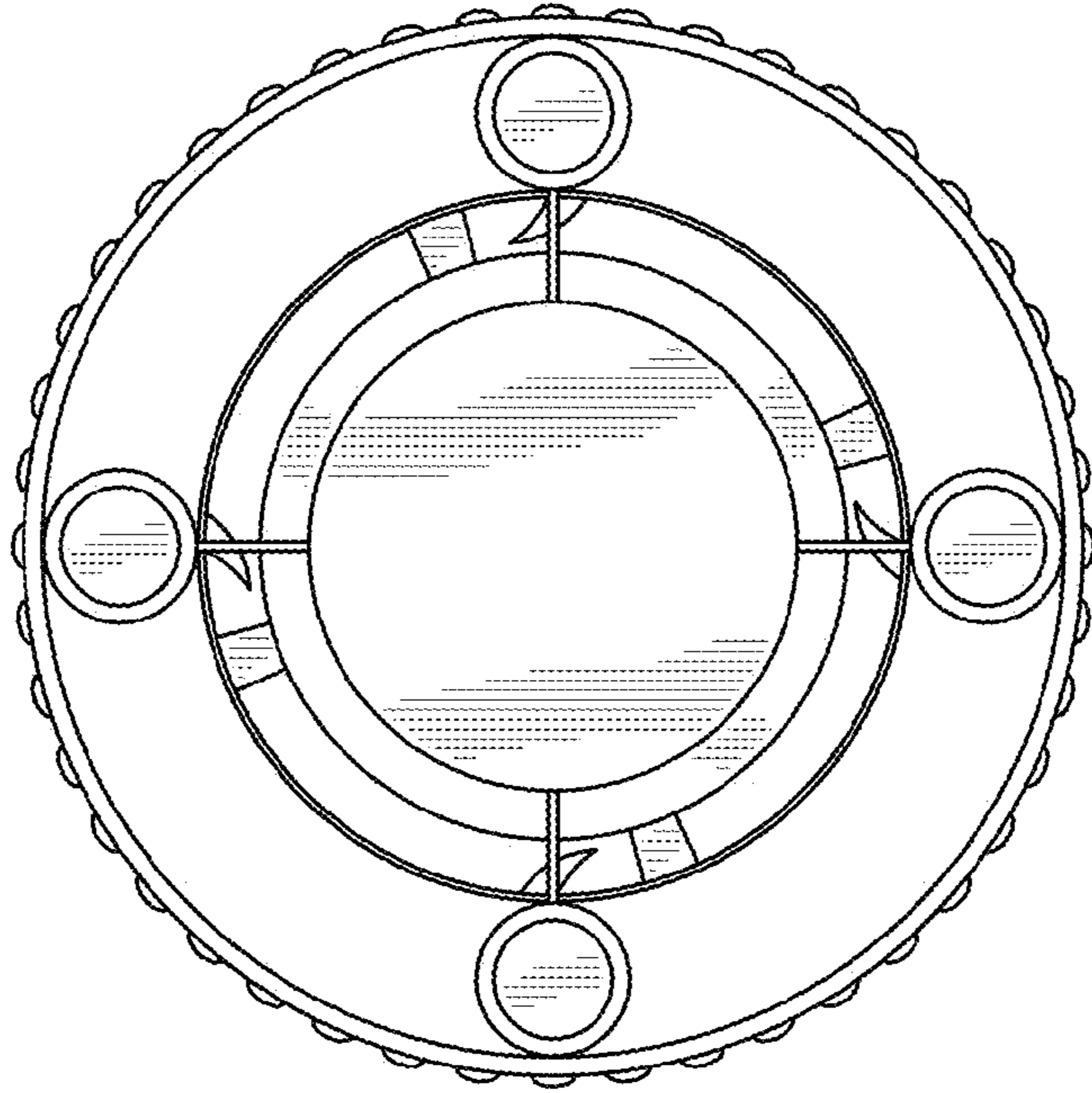


FIG. 7

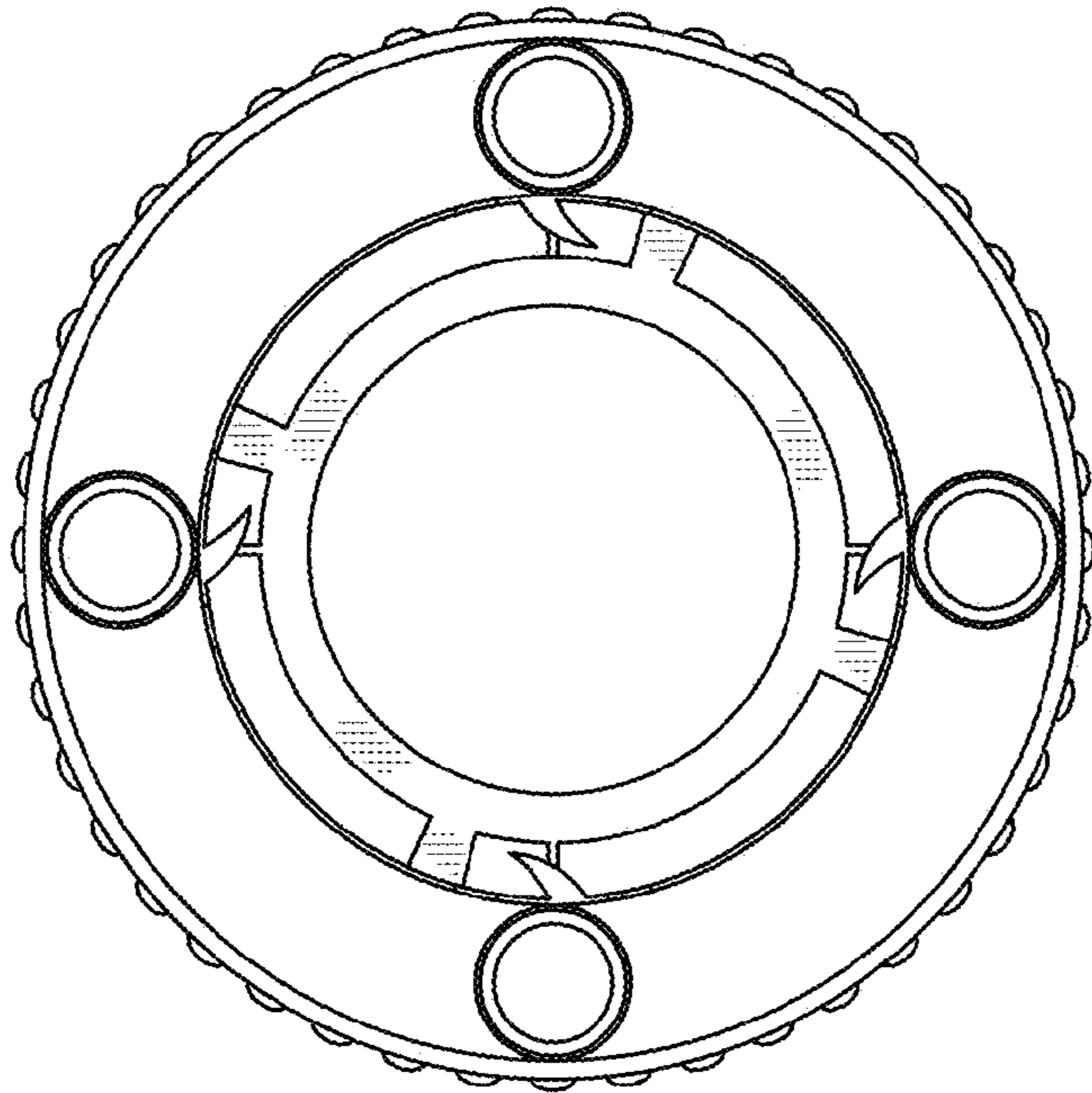


FIG. 8

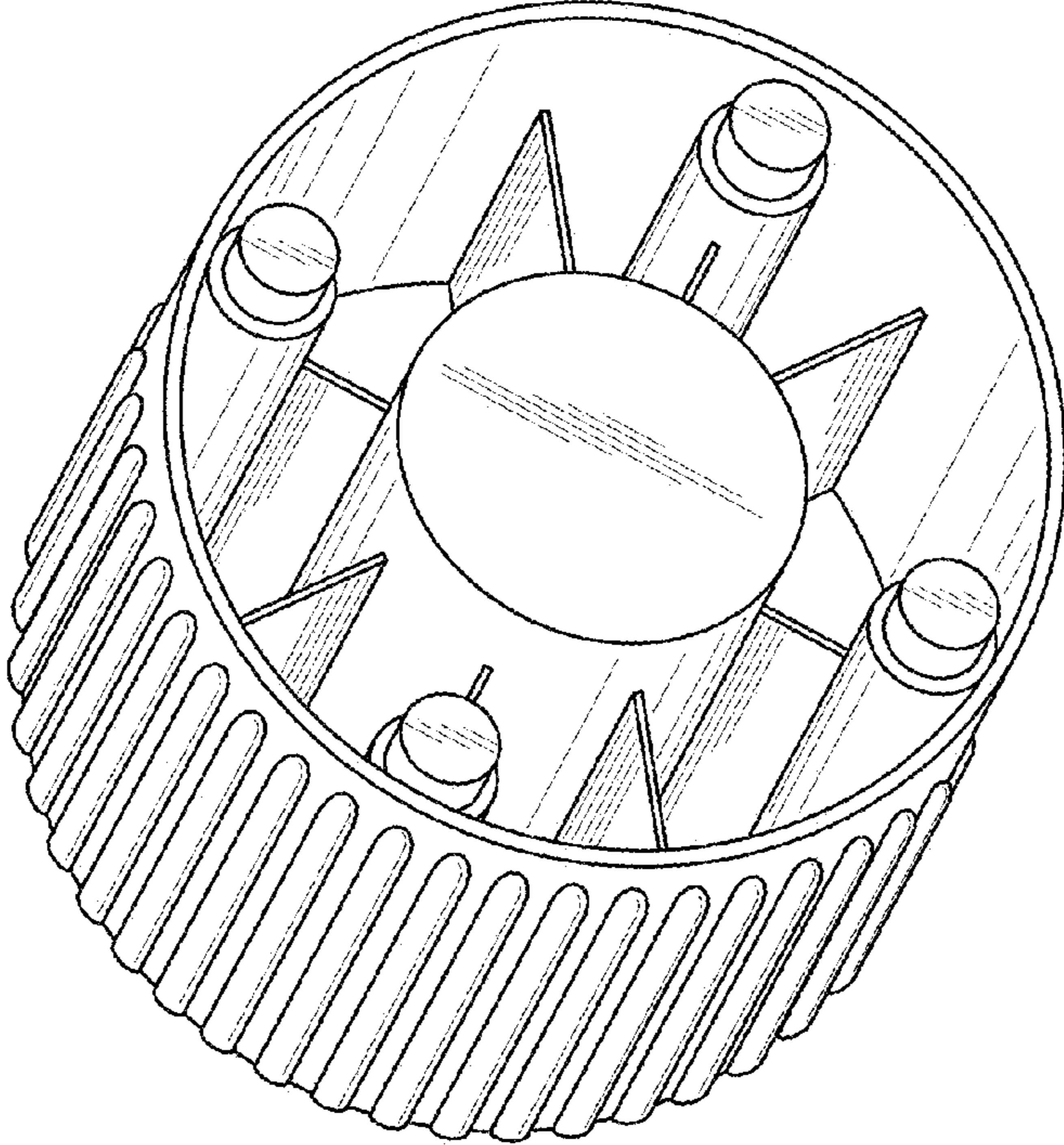


FIG. 9

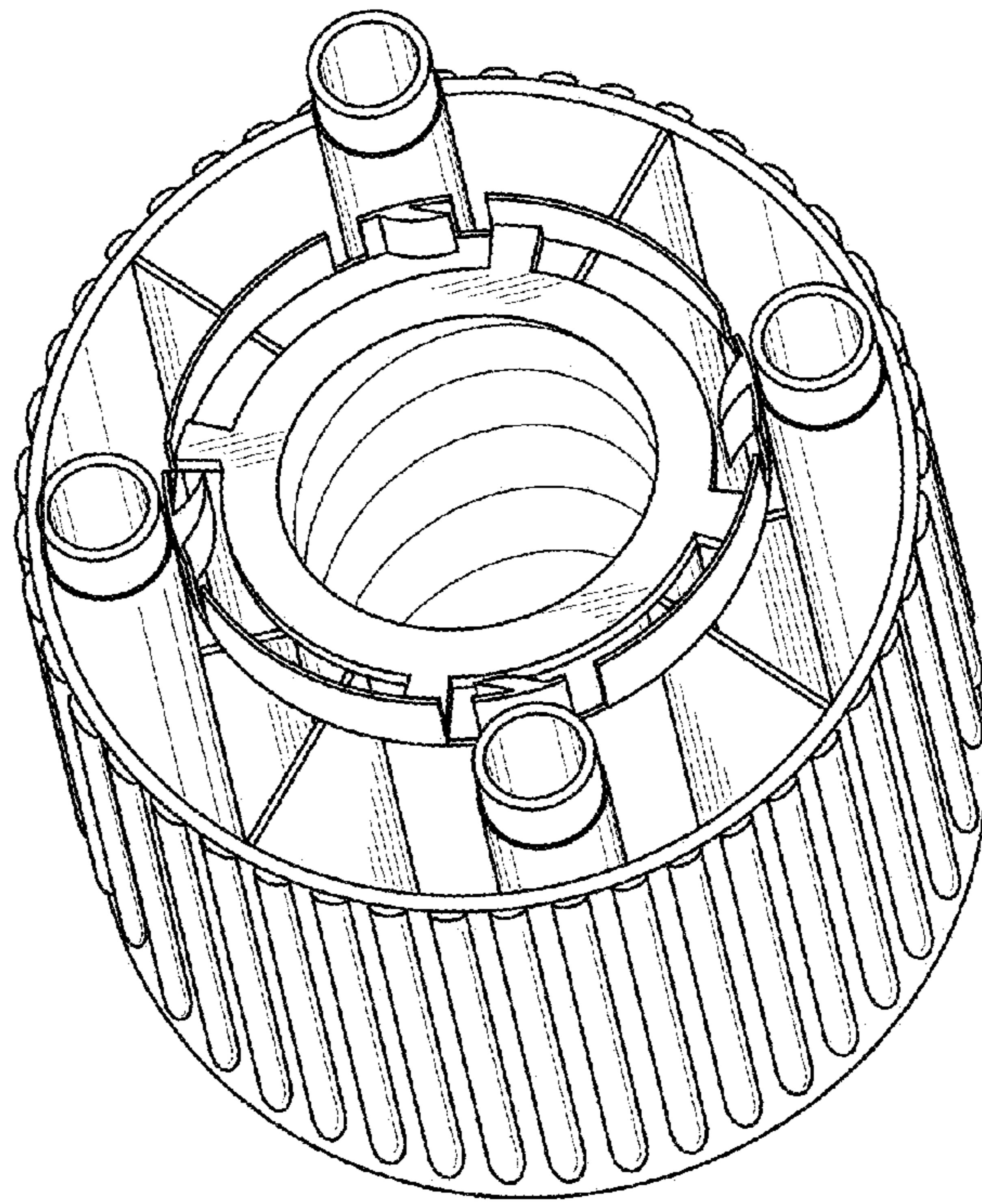


FIG. 10

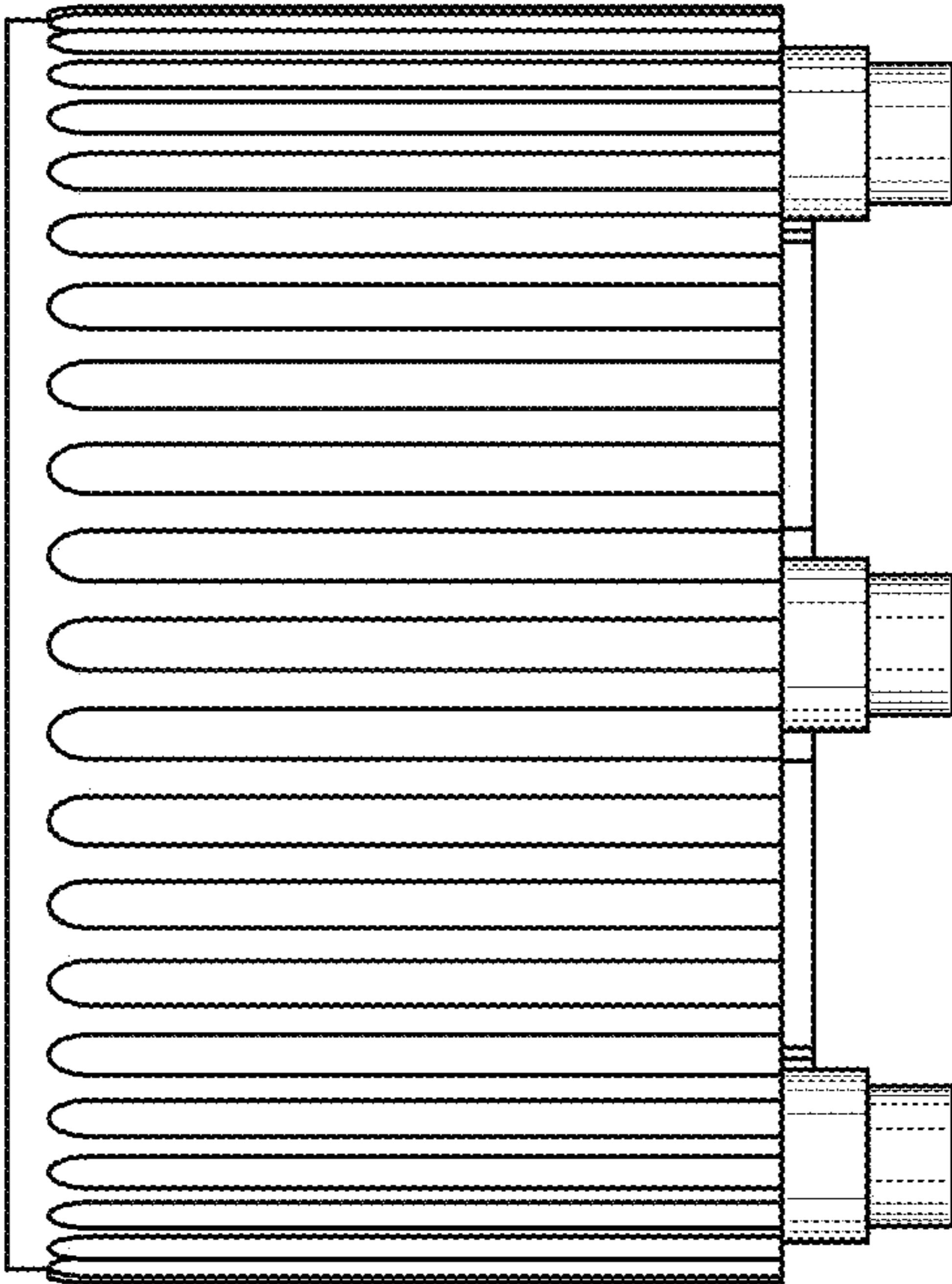


FIG. 11

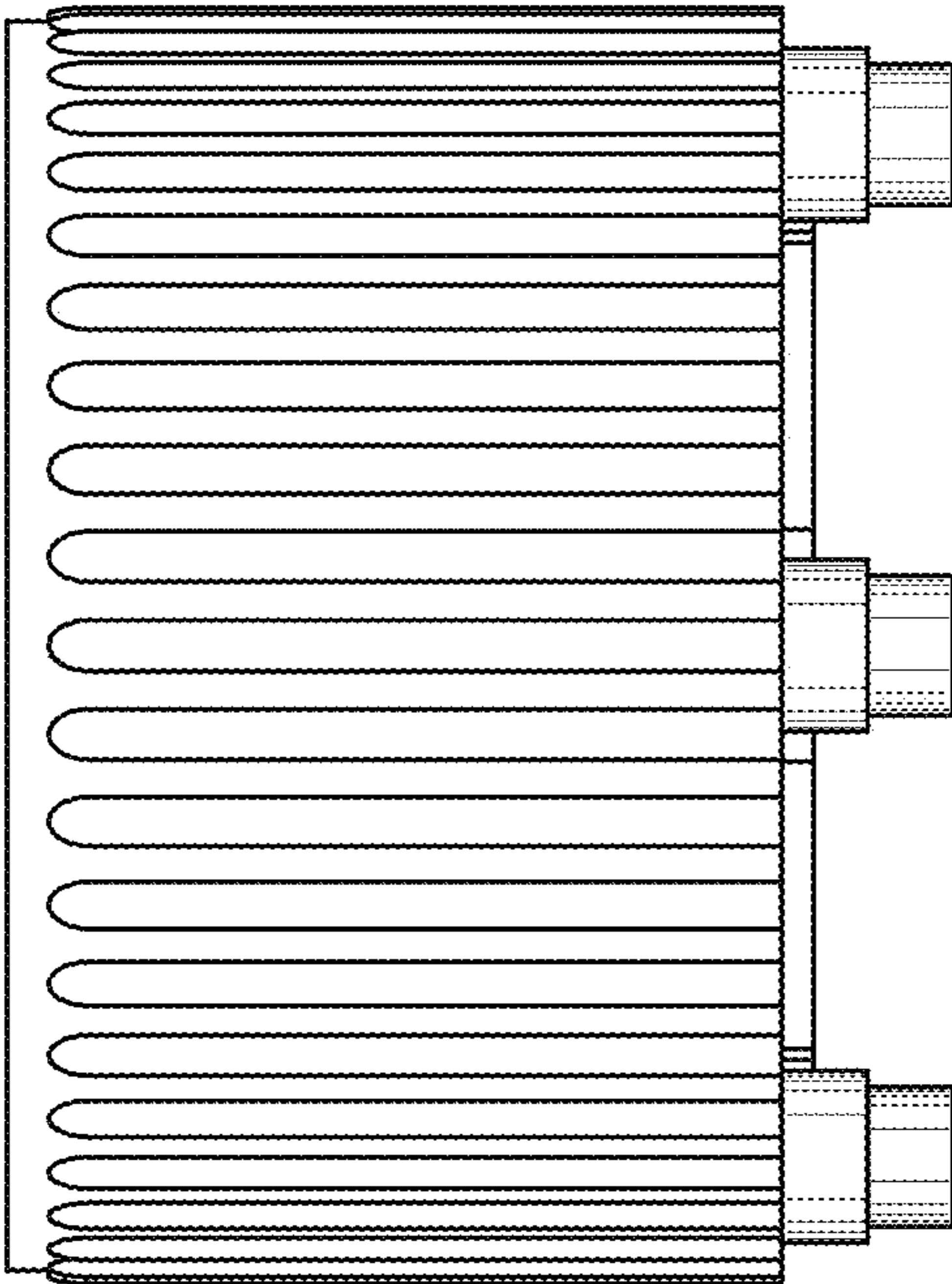


FIG. 12

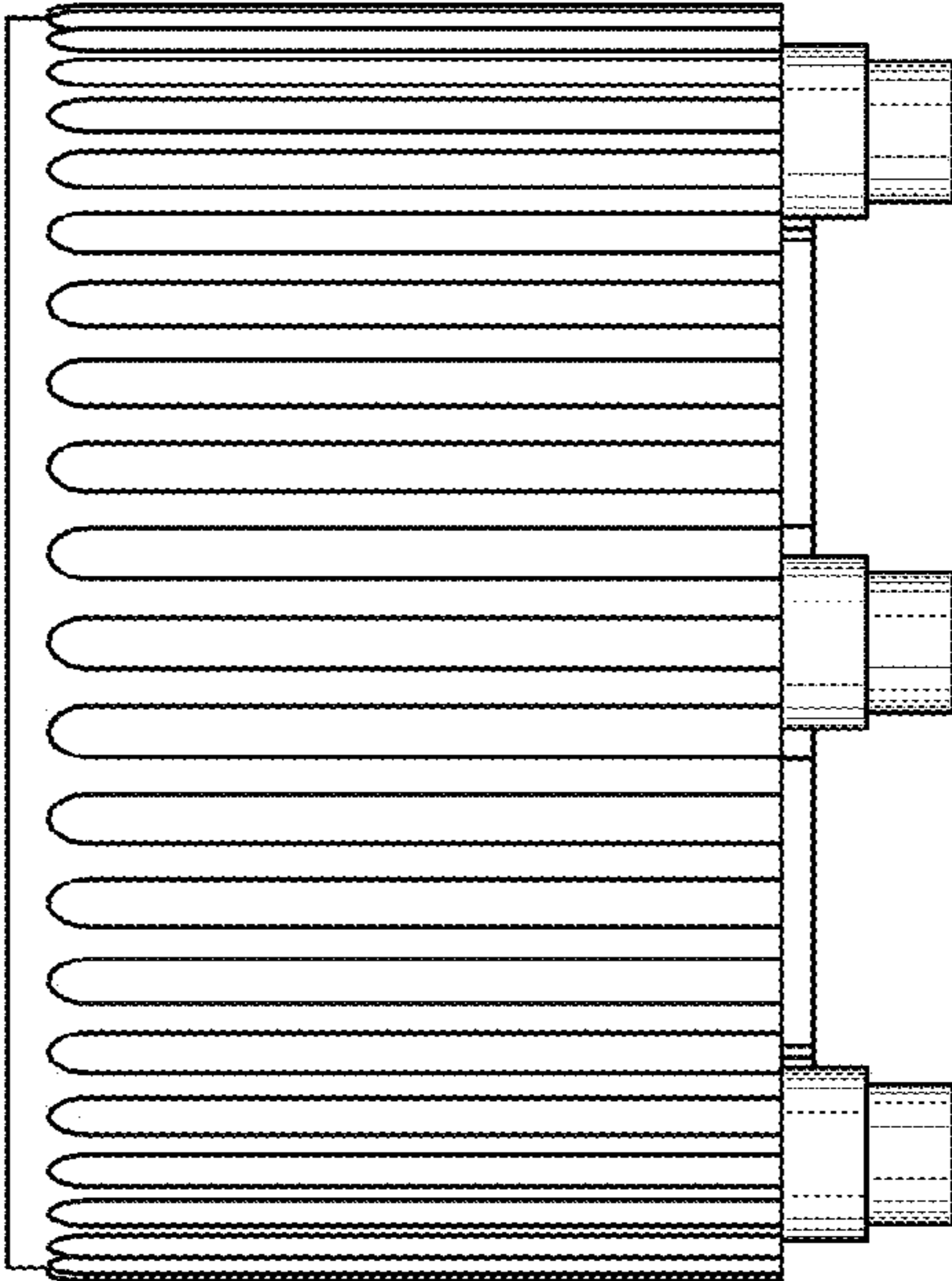


FIG. 14

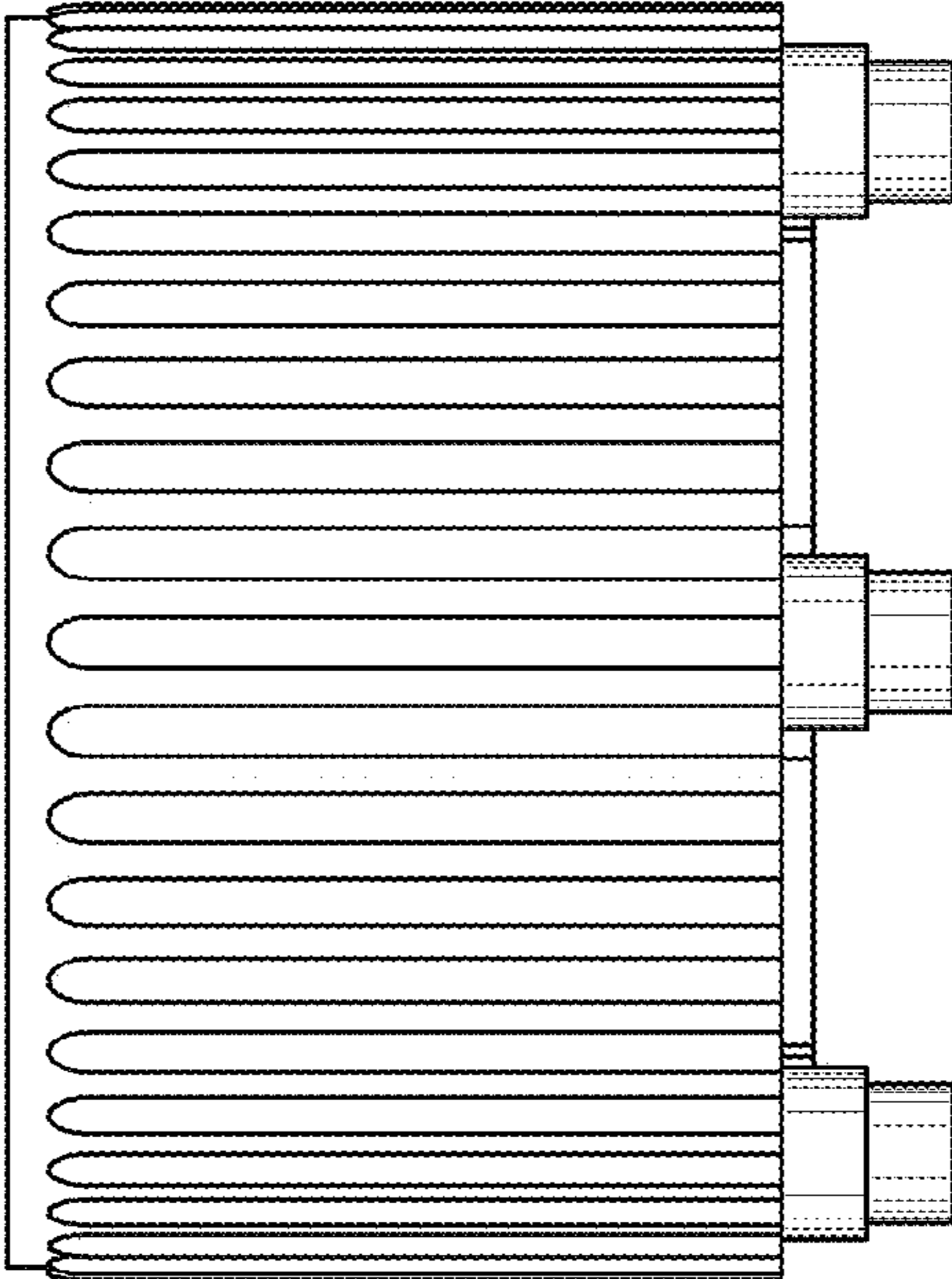


FIG. 13

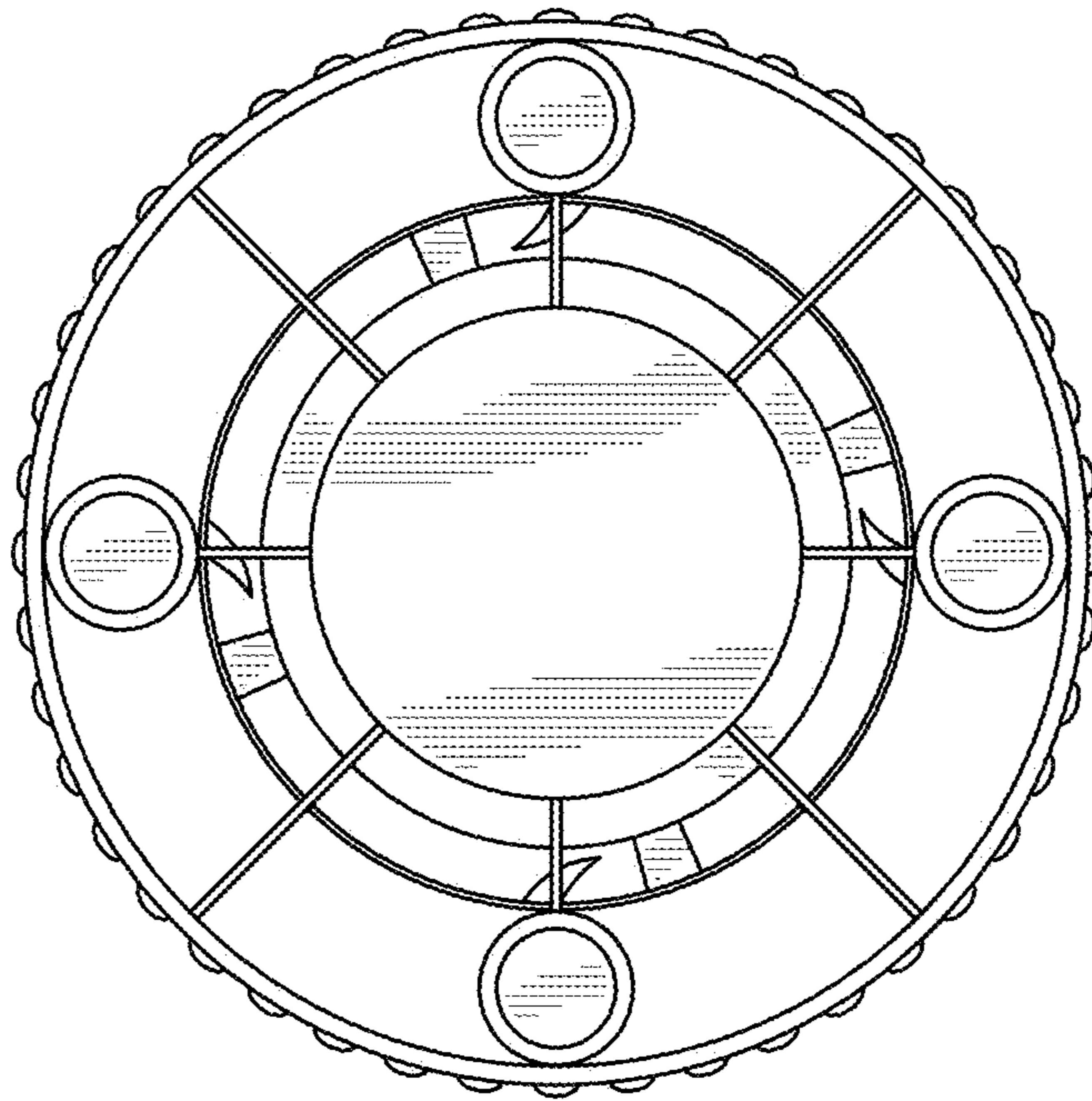


FIG. 15

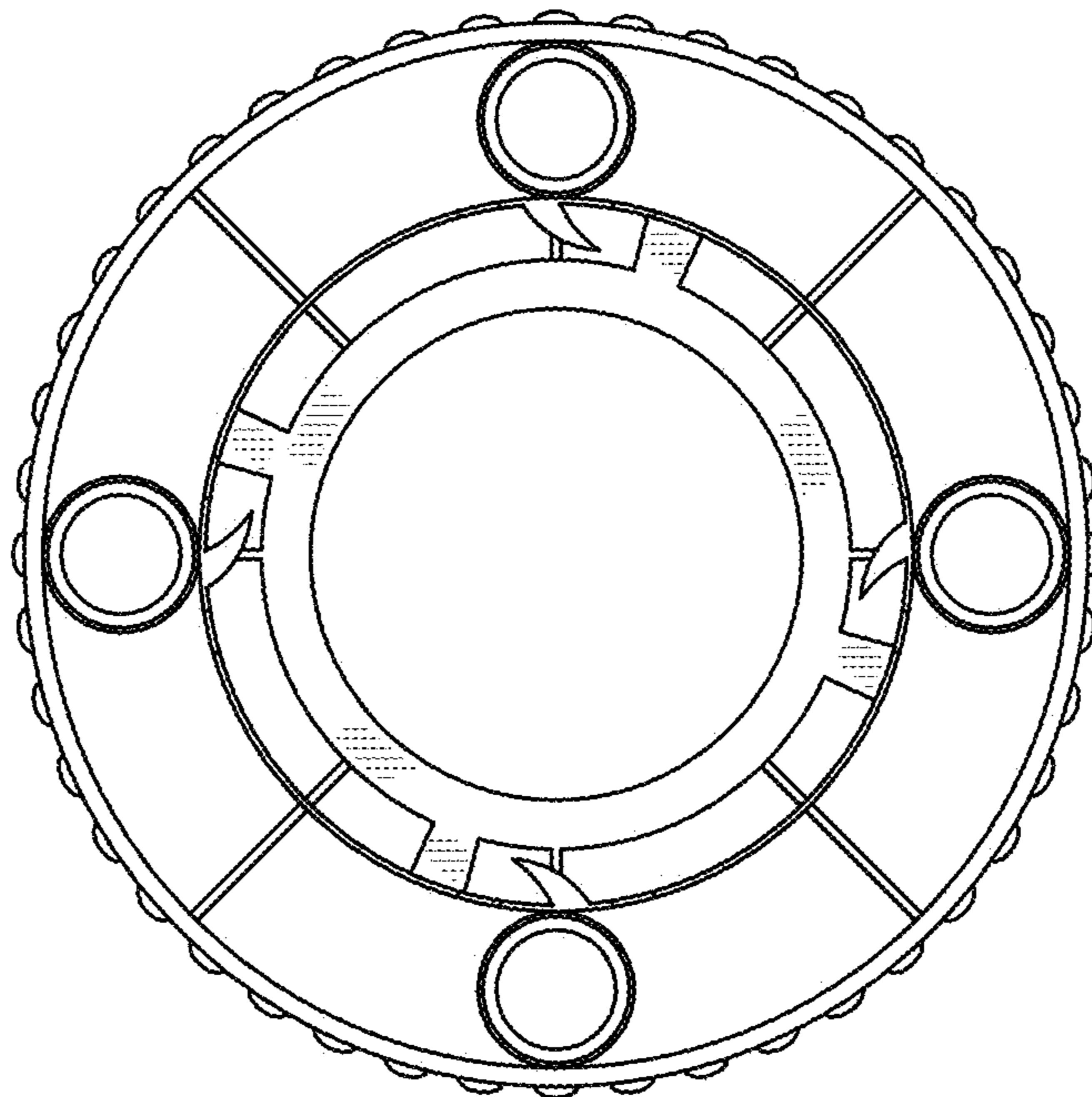


FIG. 16

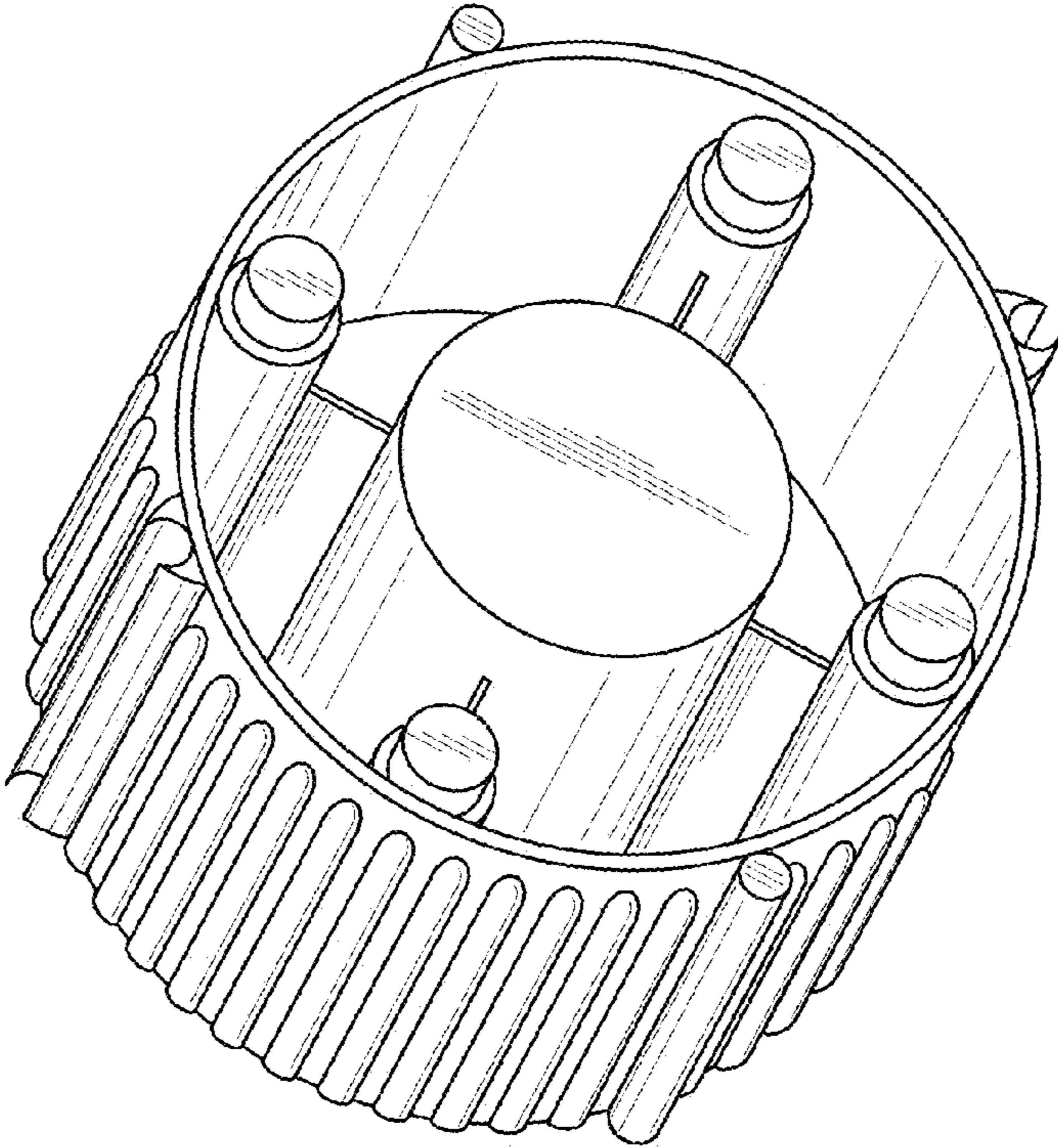


FIG. 17

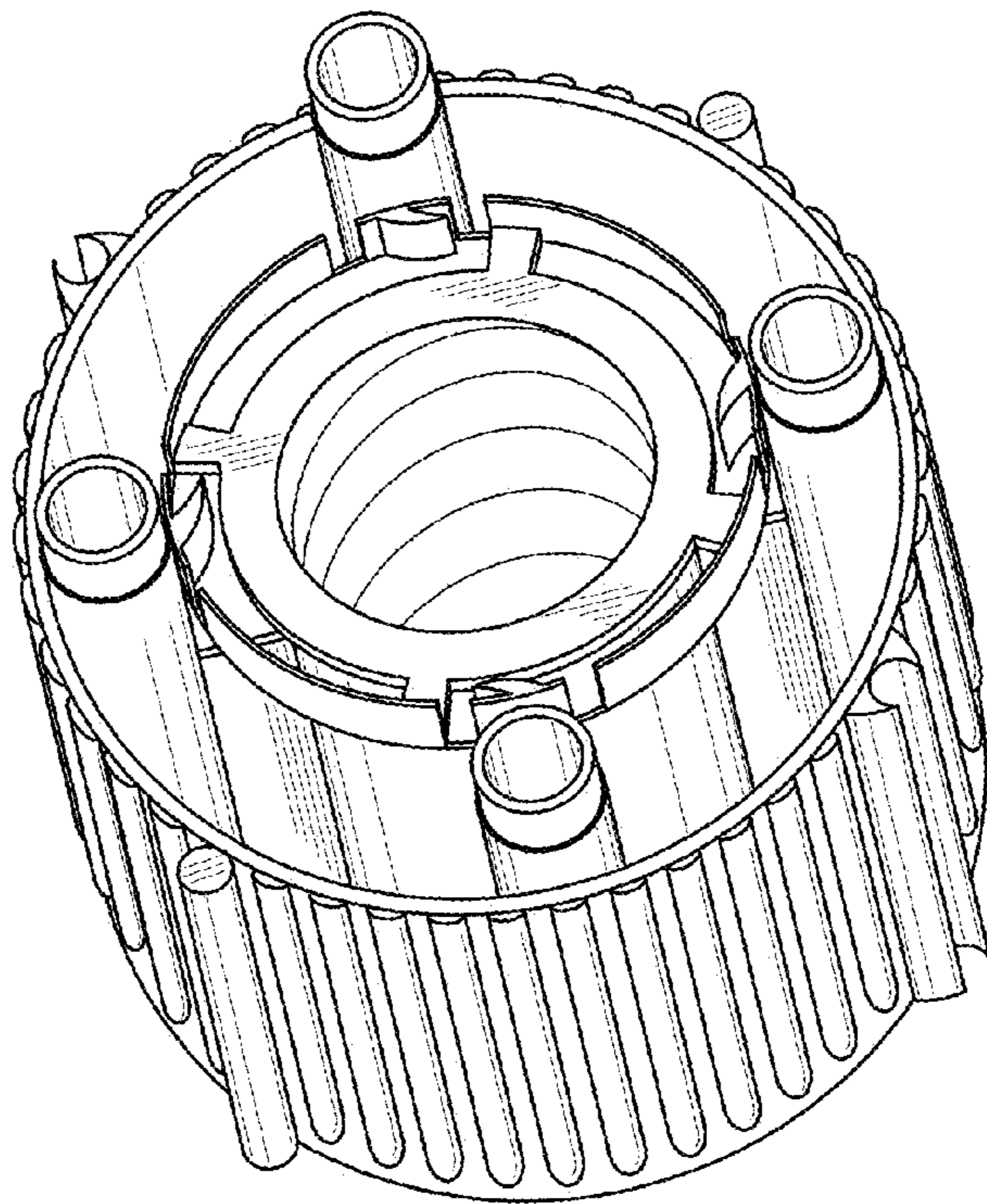


FIG. 18

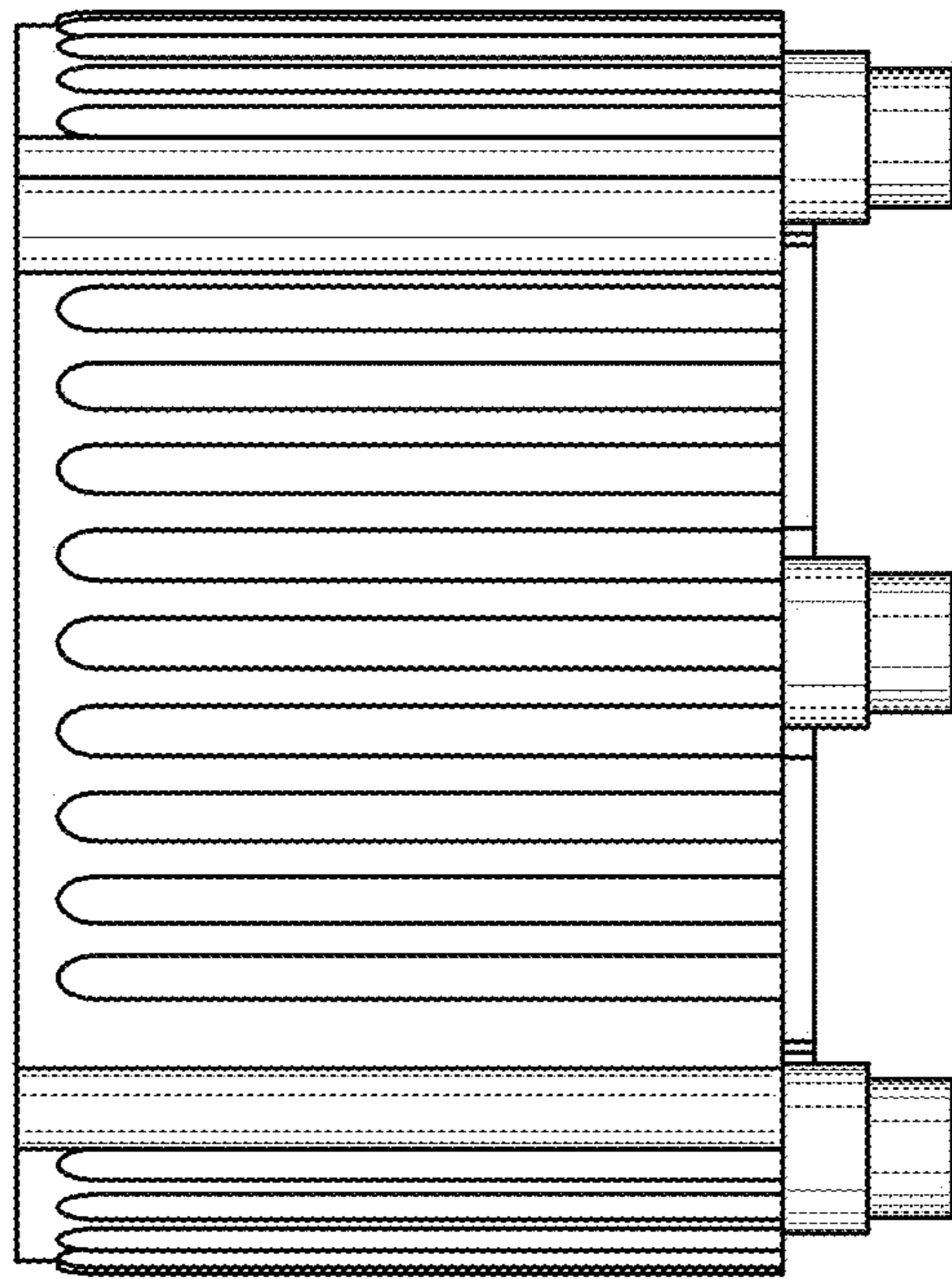


FIG. 20

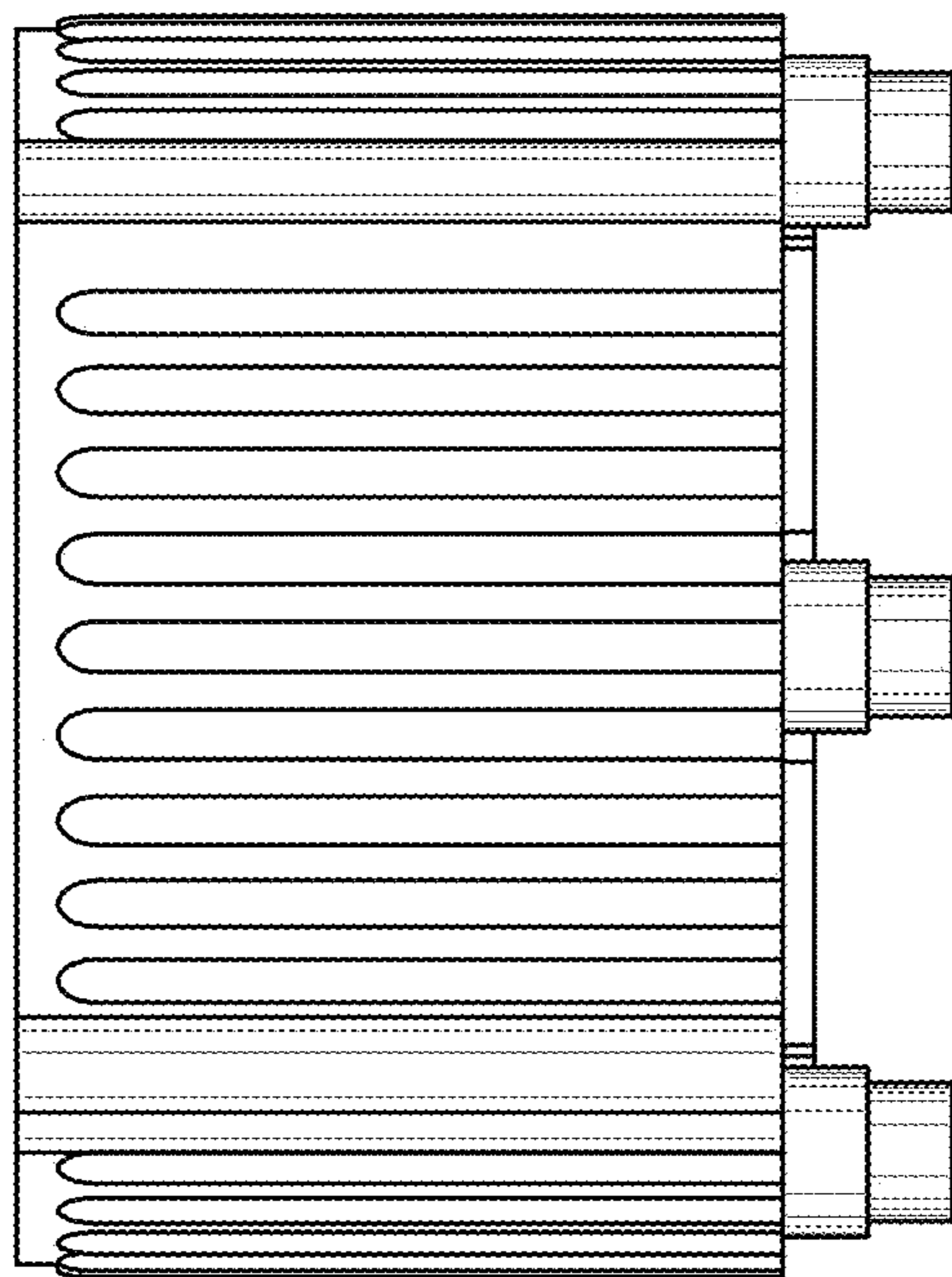


FIG. 19

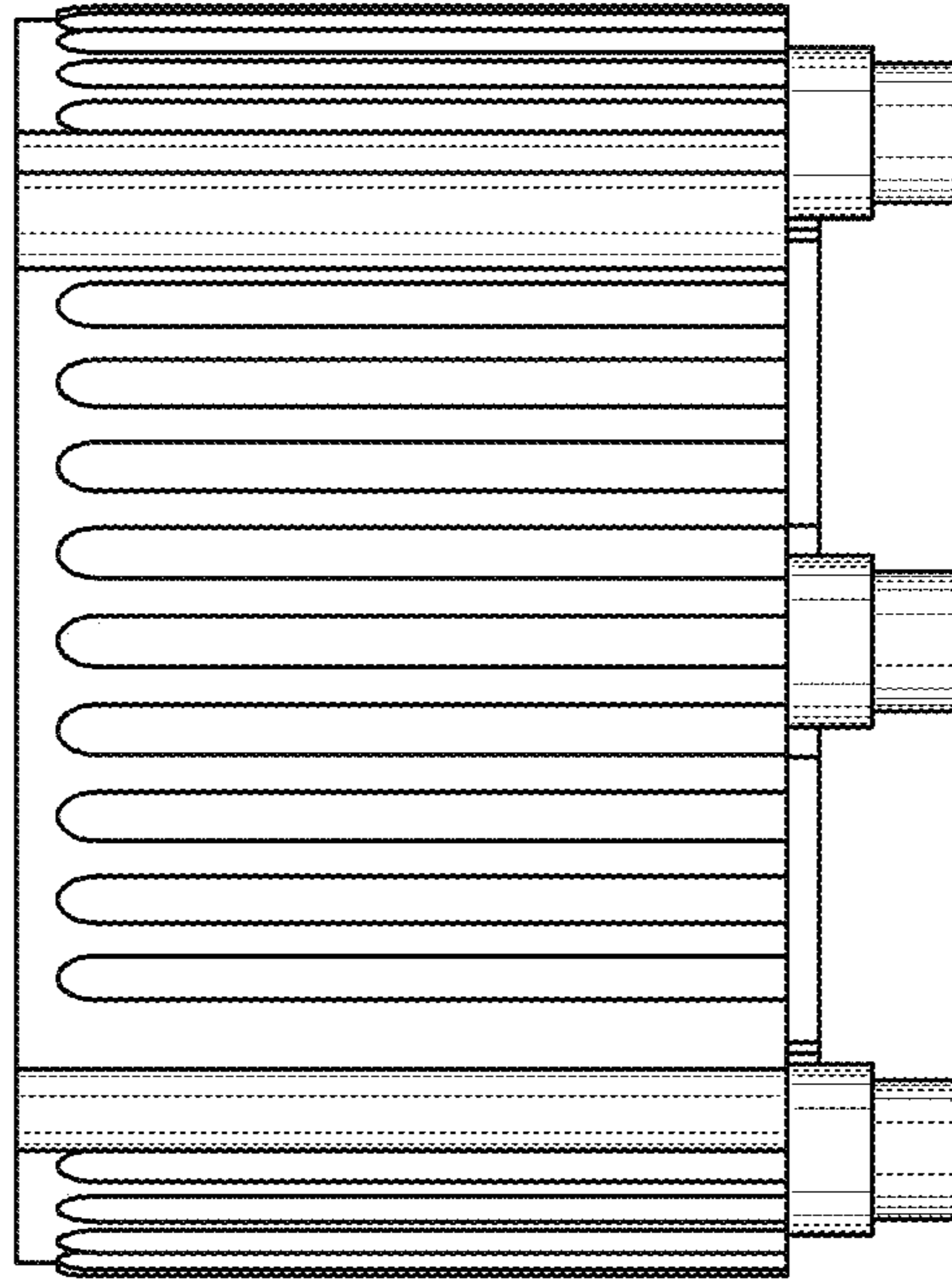


FIG. 22

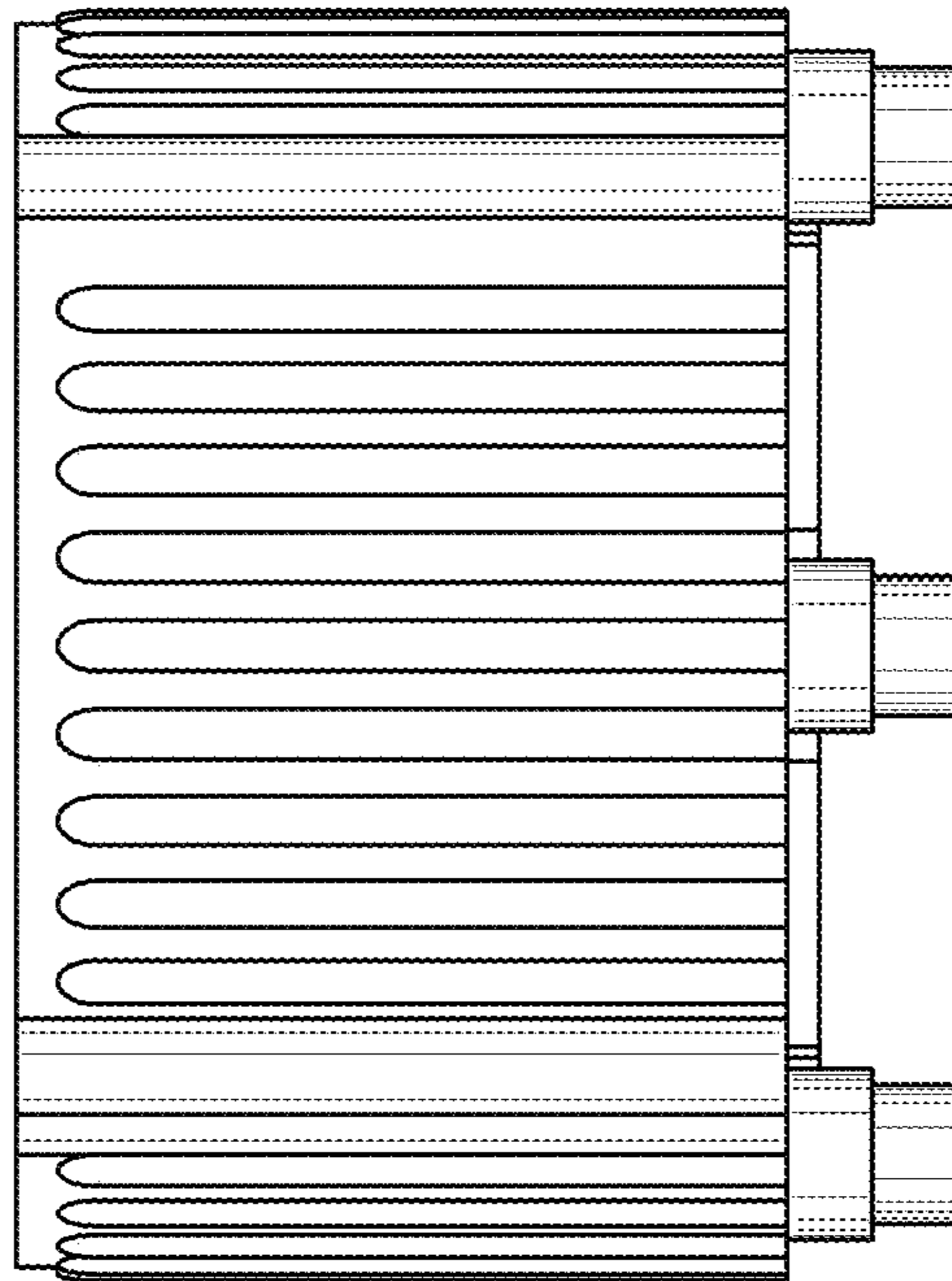


FIG. 21

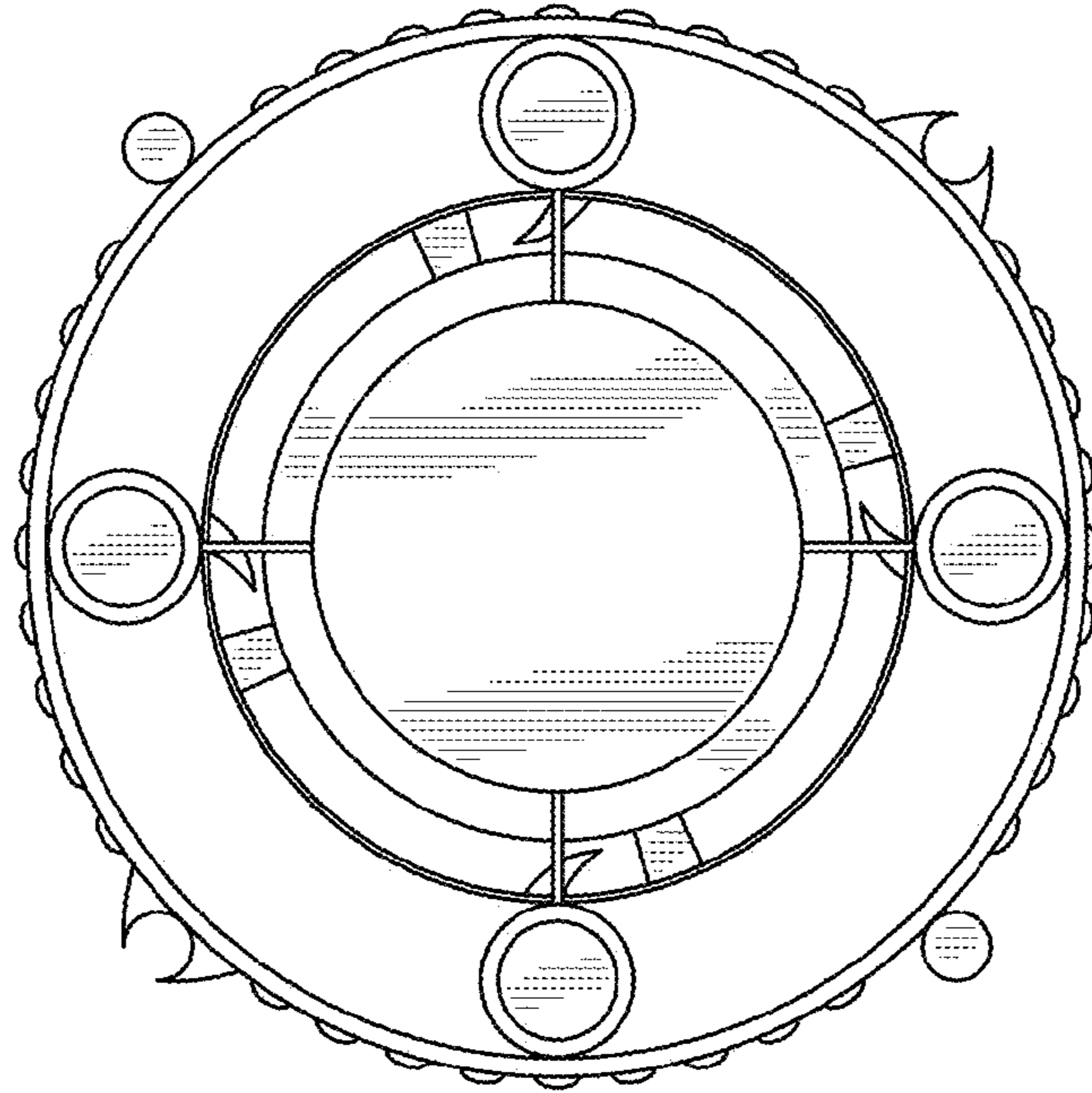


FIG. 23

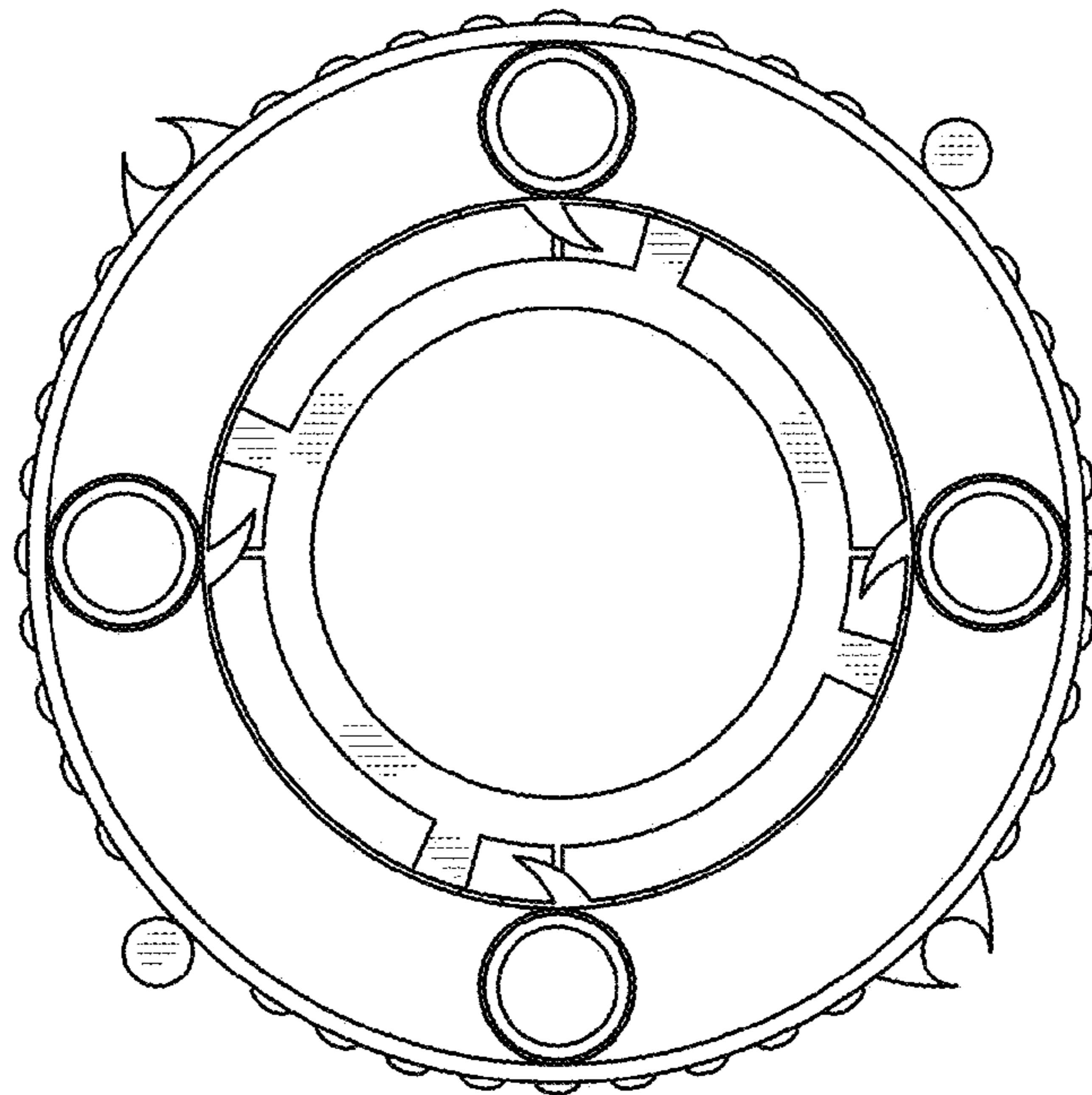


FIG. 24

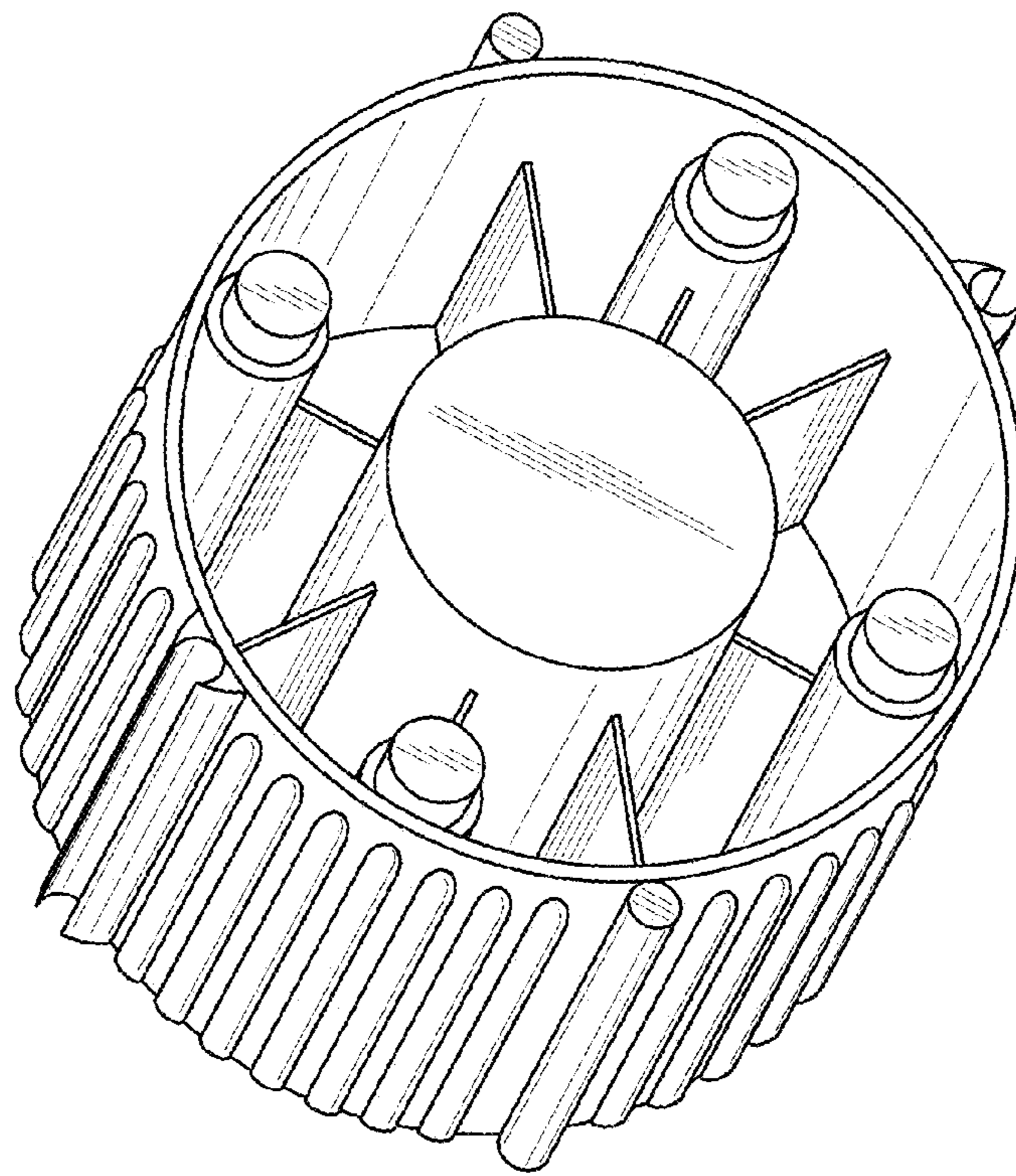


FIG. 25

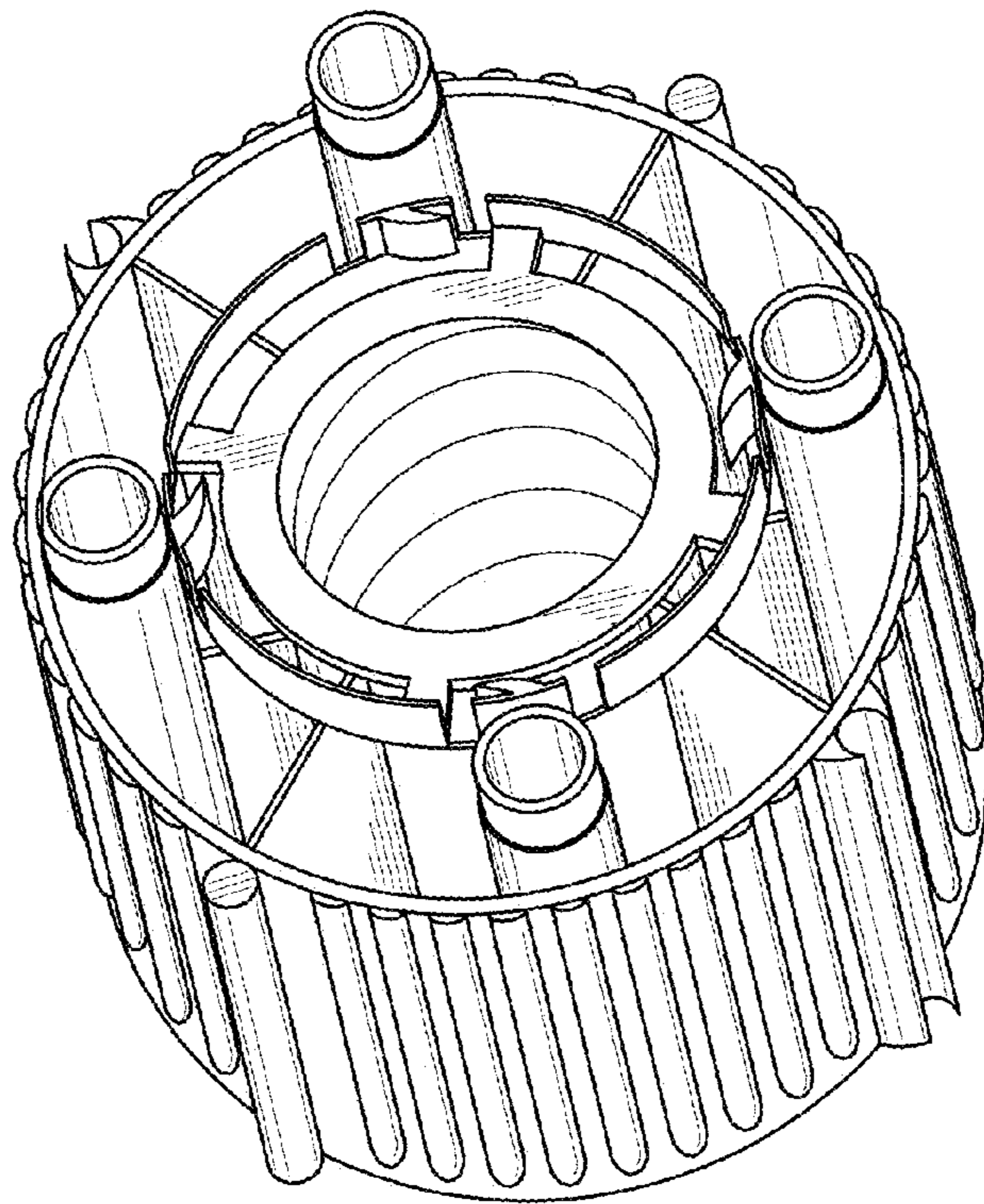


FIG. 26

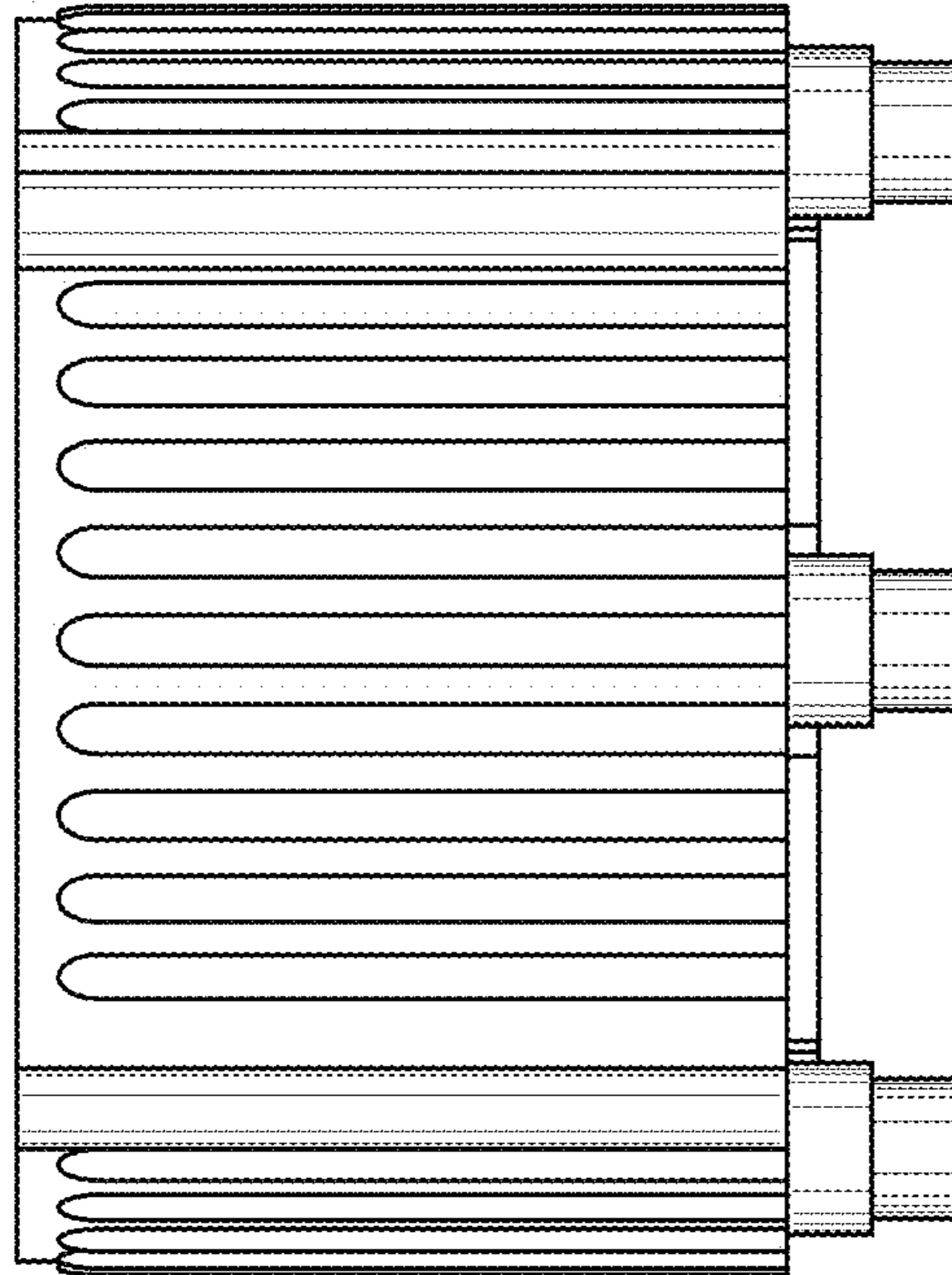


FIG. 27

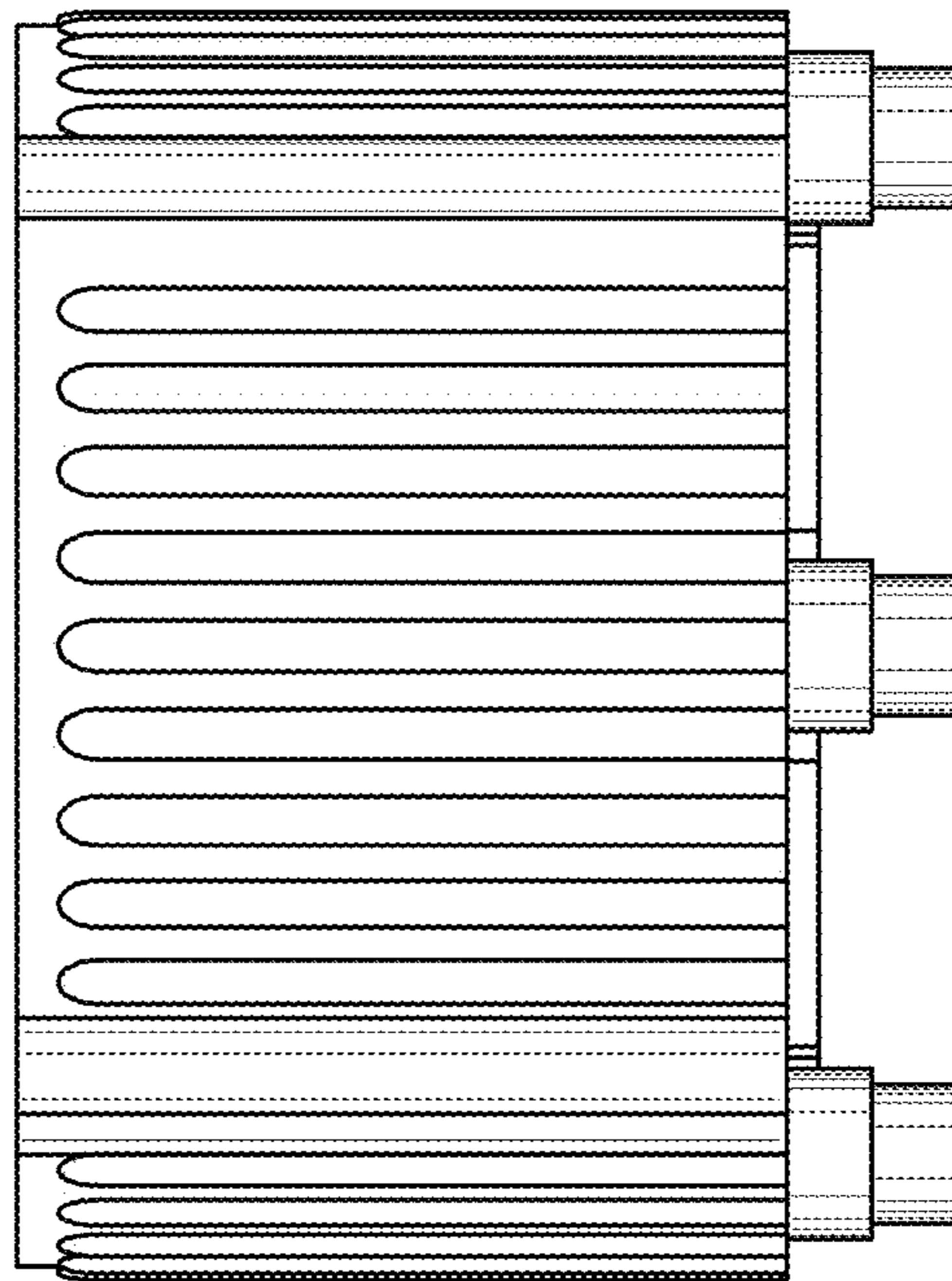


FIG. 28

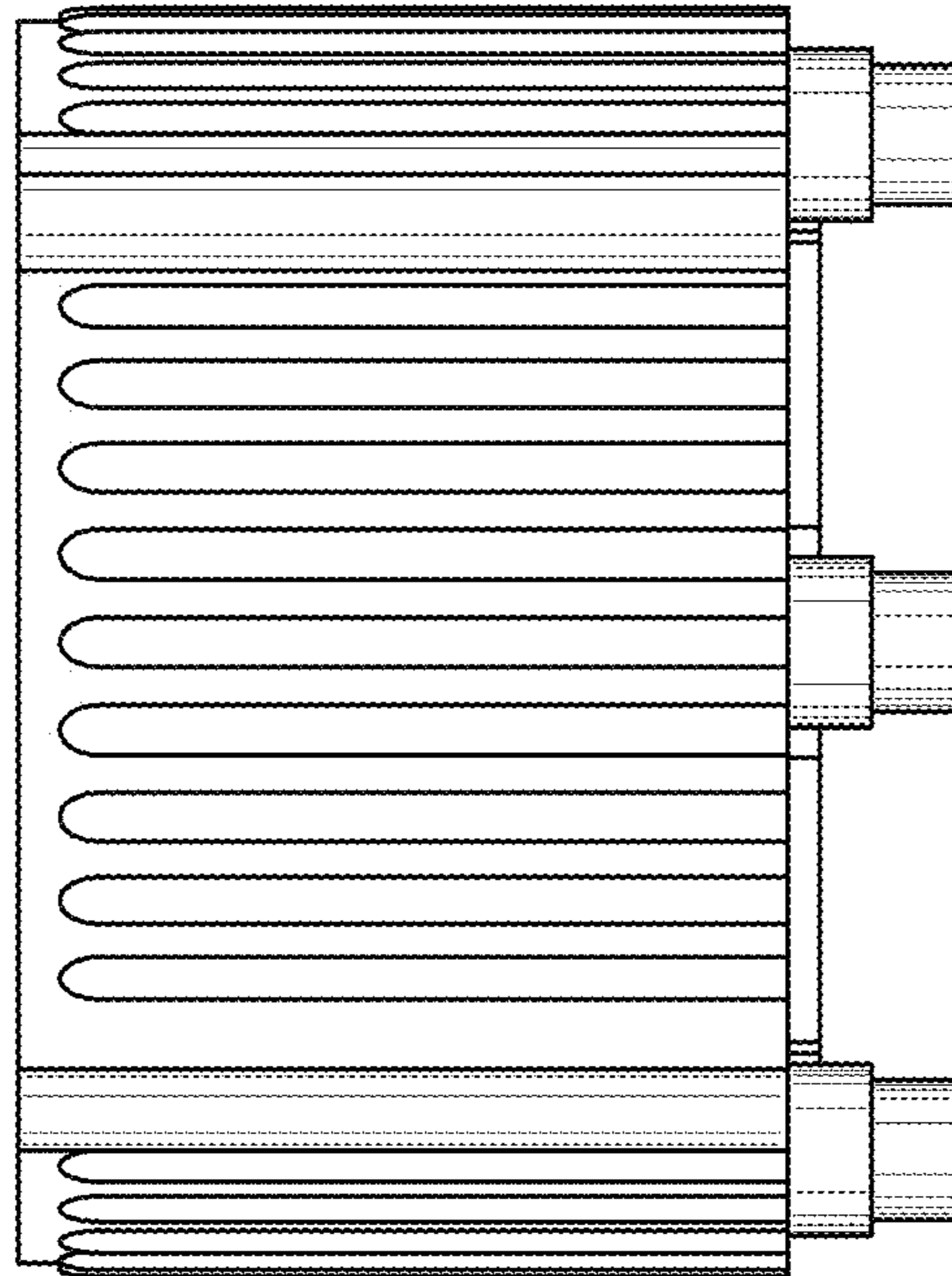


FIG. 30

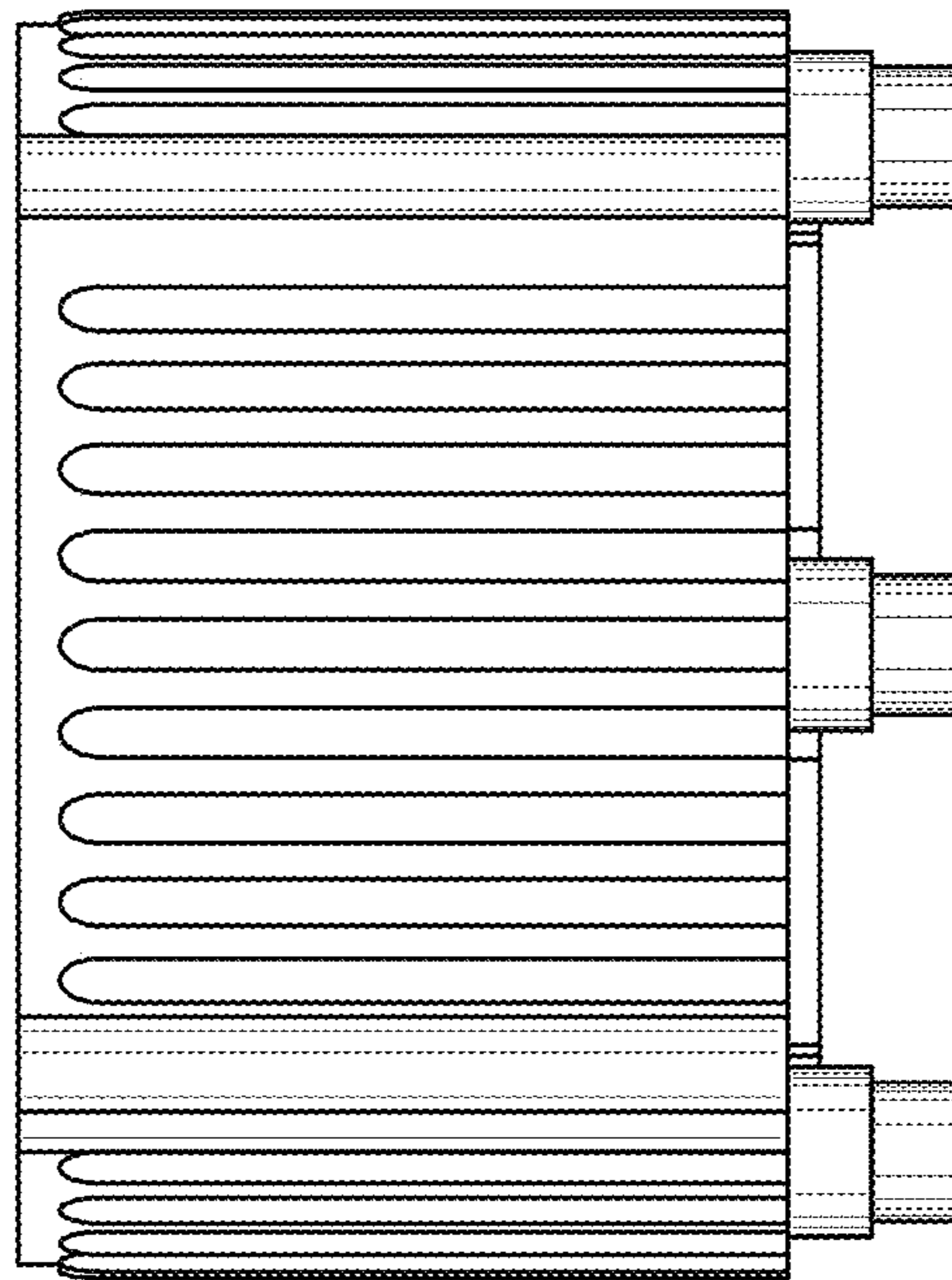


FIG. 29

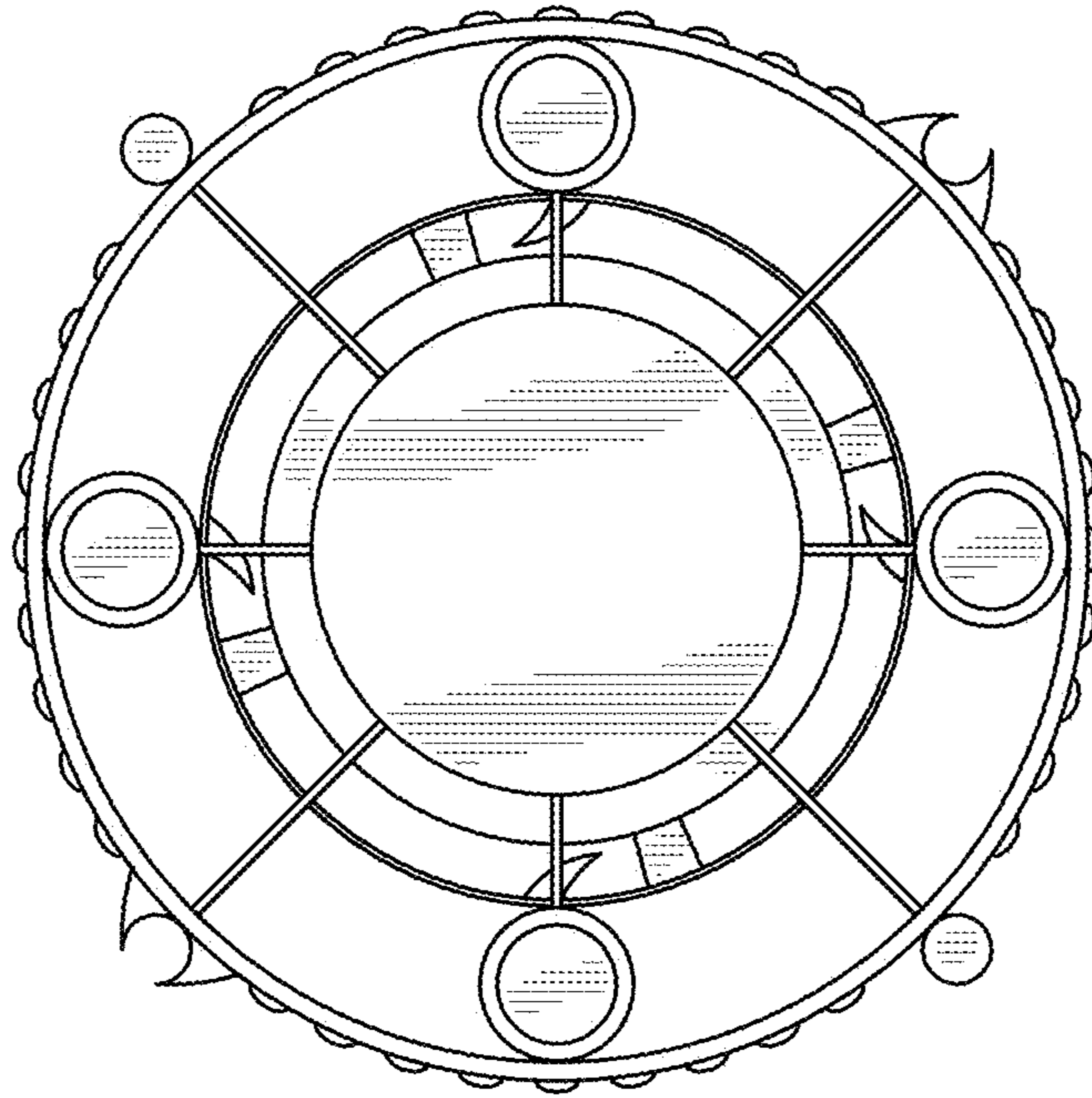


FIG. 31

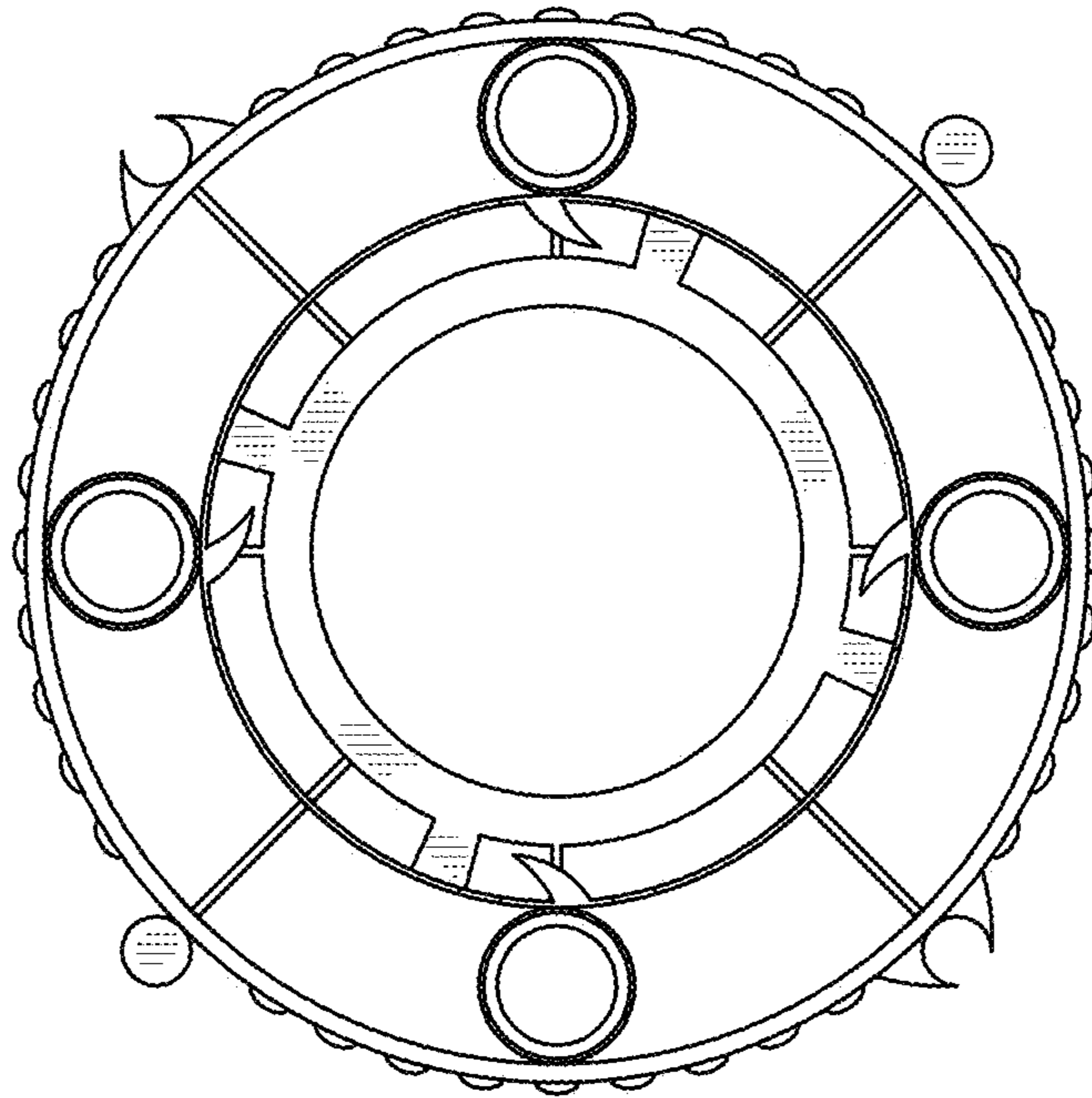


FIG. 32