



US00D720219S

(12) **United States Design Patent**
Yamada

(10) **Patent No.:** **US D720,219 S**

(45) **Date of Patent:** **** Dec. 30, 2014**

(54) **OUTLET ASSEMBLY FOR PACKAGING CONTAINER**

(71) Applicant: **Kikuo Yamada**, Tokyo (JP)

(72) Inventor: **Kikuo Yamada**, Tokyo (JP)

(**) Term: **14 Years**

(21) Appl. No.: **29/483,217**

(22) Filed: **Feb. 26, 2014**

(30) **Foreign Application Priority Data**

Jan. 8, 2014 (JP) 2014-000166

(51) **LOC (10) Cl.** **09-07**

(52) **U.S. Cl.**
USPC **D9/447**

(58) **Field of Classification Search**
USPC D6/452-545; D7/300, 321, 392.1,
D7/396.2, 500, 507, 509, 510, 511, 900;
D9/434-448, 452-455, 682, 685, 694;
215/200, 235, 236, 252, 254, 329,
215/355-364; 220/203.04-203.07, 220,
220/254.1, 254.4, 556, 703, 704, 705
See application file for complete search history.

(56) **References Cited**

U.S. PATENT DOCUMENTS

4,848,575 A * 7/1989 Nakamura et al. 206/449
D414,637 S * 10/1999 Amundson et al. D9/734
D414,650 S * 10/1999 Lillelund et al. D7/392.1
D443,451 S * 6/2001 Buck et al. D6/518
6,499,626 B1 * 12/2002 Julius 221/63
D498,623 S * 11/2004 Sams et al. D9/435
D526,562 S * 8/2006 Jelich et al. D9/435
7,303,092 B2 * 12/2007 Sarbo et al. 221/46
D576,875 S * 9/2008 Steiger et al. D9/449

D671,000 S * 11/2012 O'Neill et al. D9/449
2005/0011906 A1 * 1/2005 Buck et al. 221/64
2006/0191933 A1 * 8/2006 Hicks et al. 220/254.3
2007/0221605 A1 * 9/2007 Pugne et al. 215/235

* cited by examiner

Primary Examiner — Robert M Spear

Assistant Examiner — Marissa Cash

(74) *Attorney, Agent, or Firm* — Oliff PLC

(57) **CLAIM**

I claim the ornamental design for an outlet assembly for packaging container, as shown and described.

DESCRIPTION

FIG. 1 is a front view of an outlet assembly for packaging container showing my new design;
FIG. 2 is a rear view thereof;
FIG. 3 is a right side view thereof;
FIG. 4 is a left side view thereof;
FIG. 5 is a top plan view thereof;
FIG. 6 is a bottom view thereof;
FIG. 7 is a perspective view thereof;
FIG. 8 is an exploded perspective view thereof;
FIG. 9 is a front view thereof, shown in an alternate configuration of use;
FIG. 10 is a perspective view thereof, shown in an open configuration;
FIG. 11 is a perspective view thereof, shown with the inner lid removed;
FIG. 12 is a perspective view thereof, shown in a closed configuration in an unclaimed environment of use;
FIG. 13 is a perspective view thereof, shown in an open configuration; and,
FIG. 14 is a perspective view thereof, shown in an open configuration.
The broken lines in the drawings represent unclaimed environmental subject matter and form no part of the claim.

1 Claim, 14 Drawing Sheets

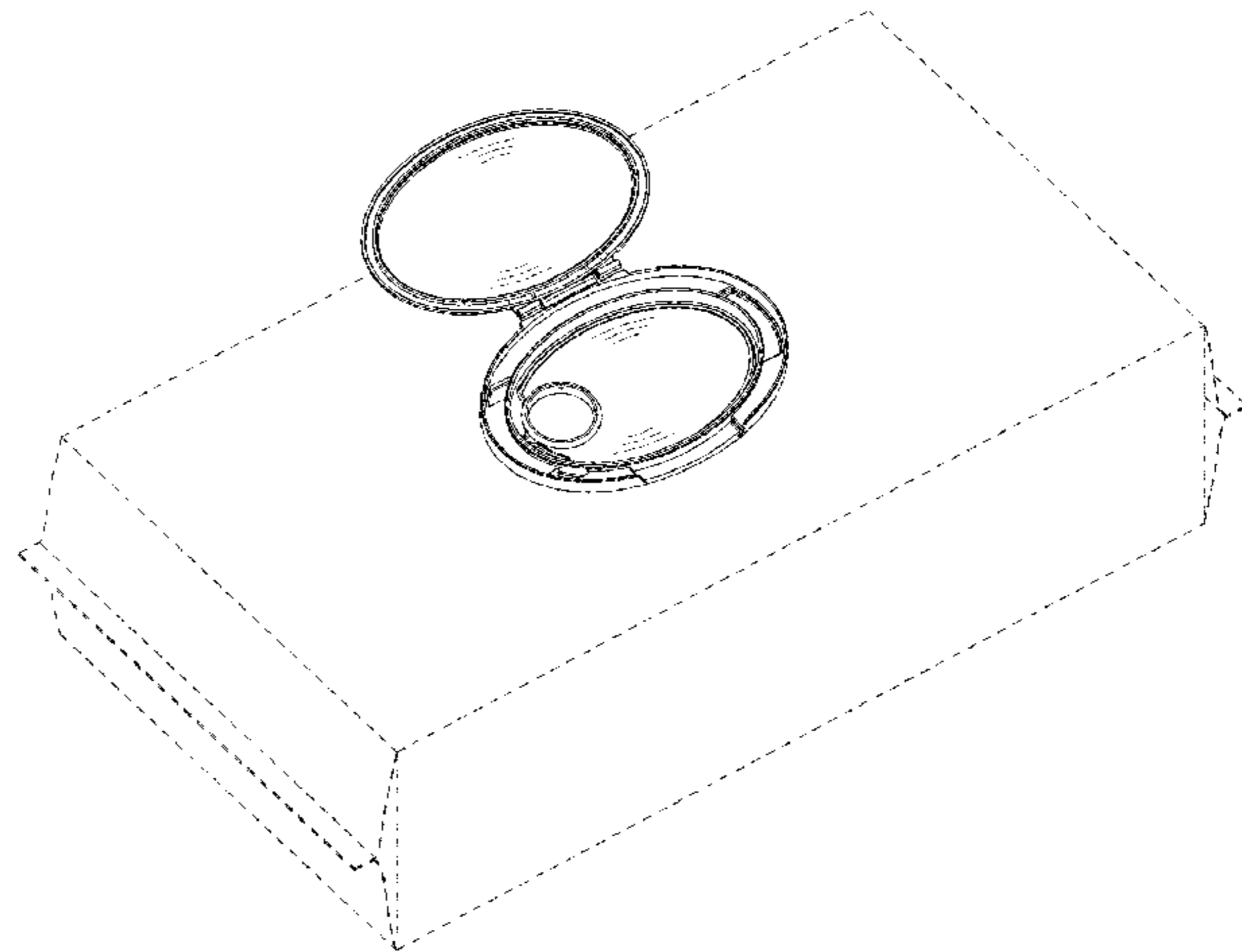
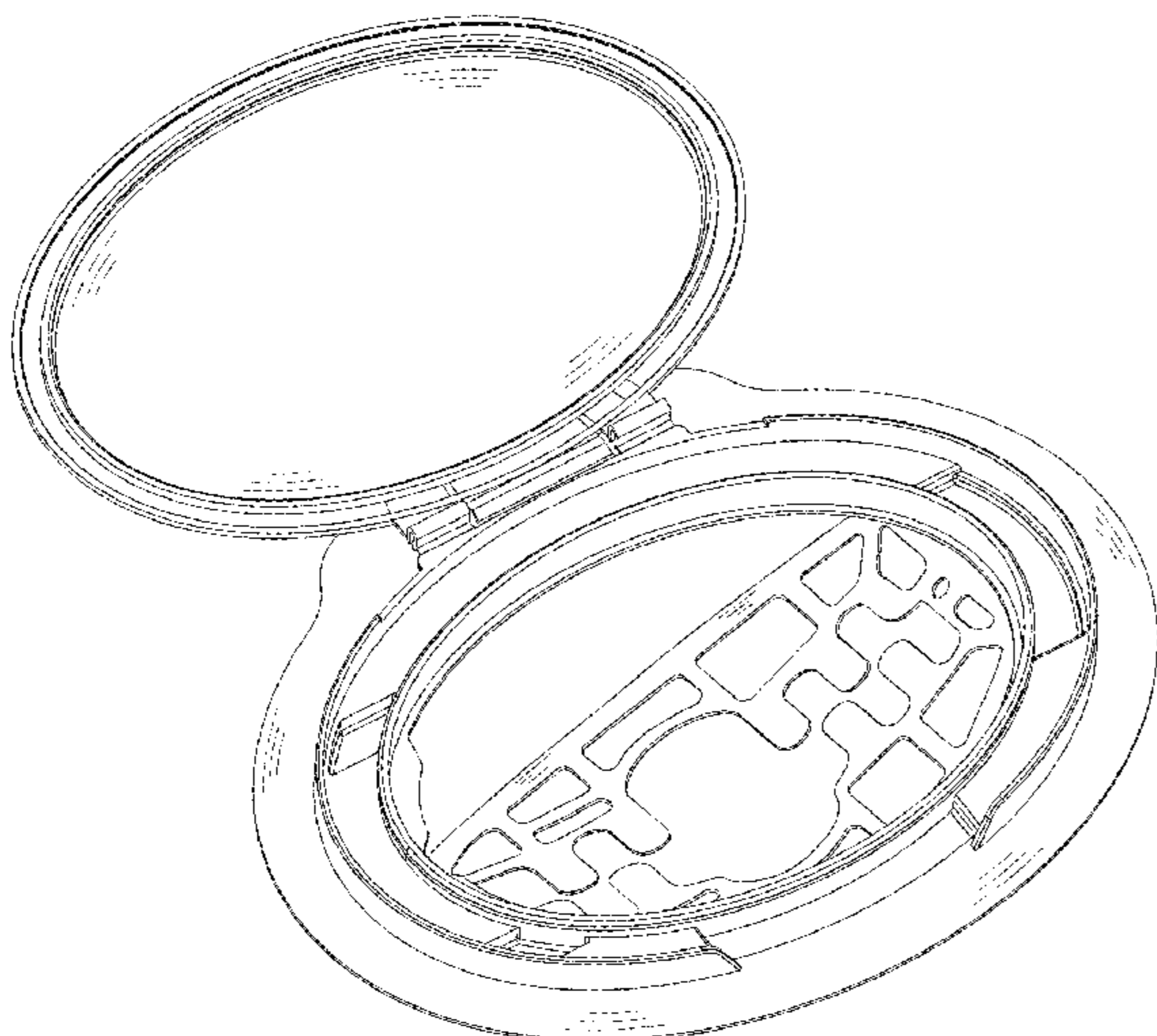


Fig. 1



Fig. 2

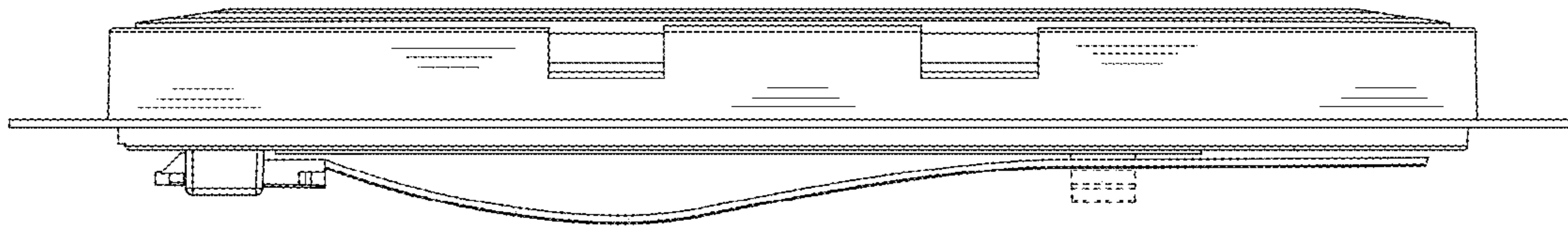


Fig. 3

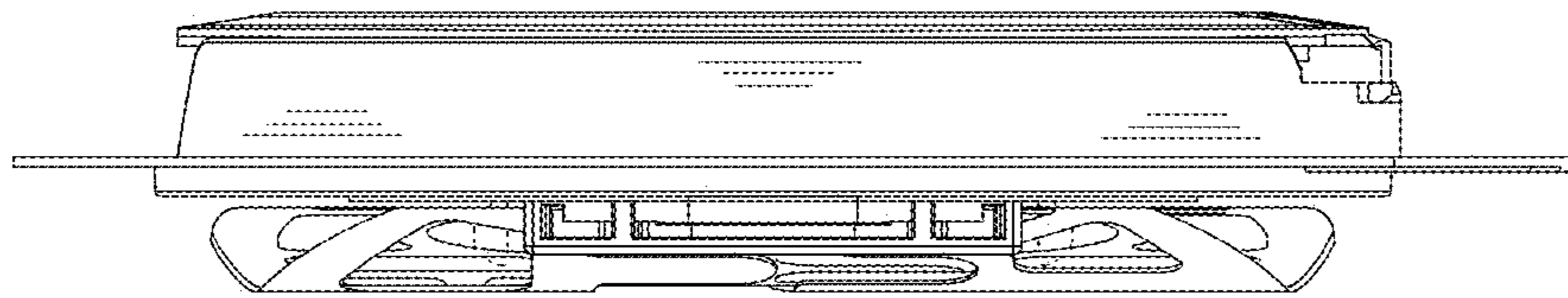


Fig. 4

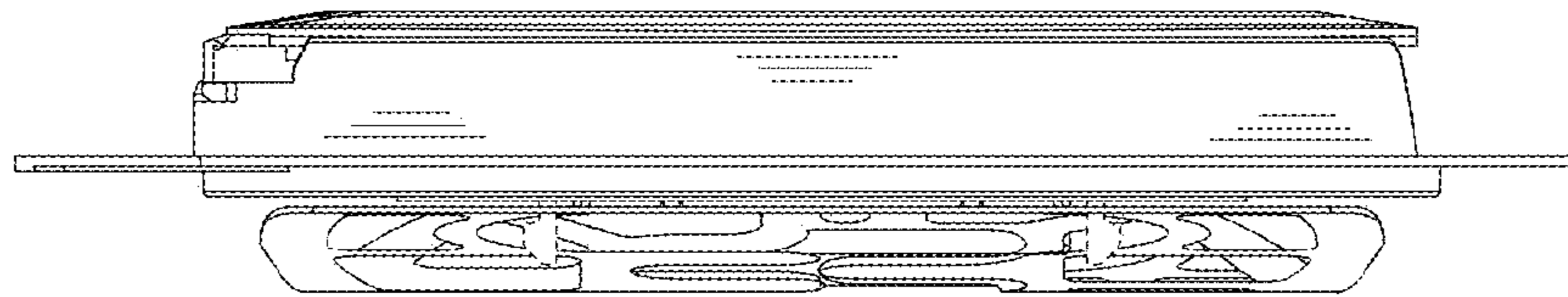


Fig. 5

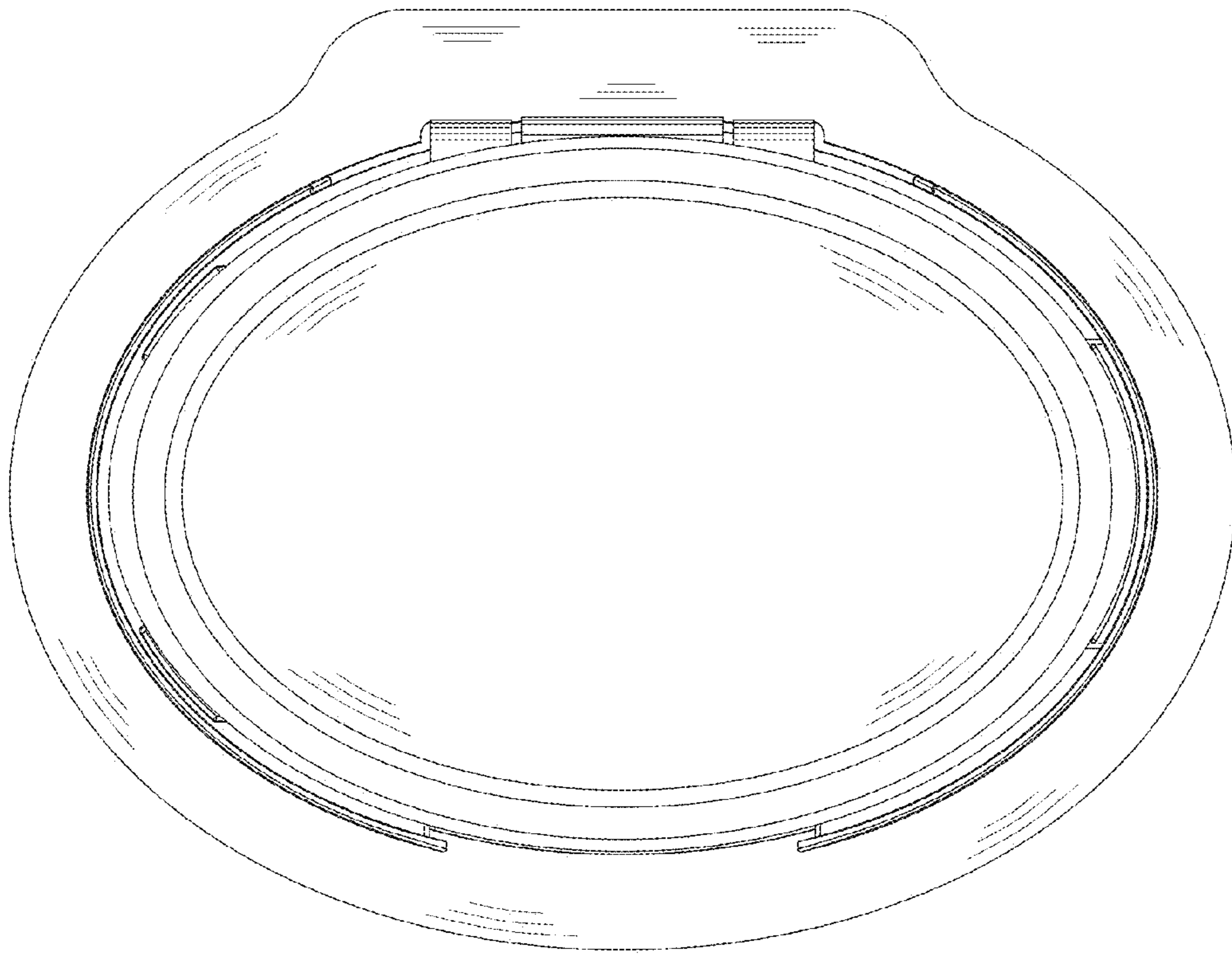


Fig. 6

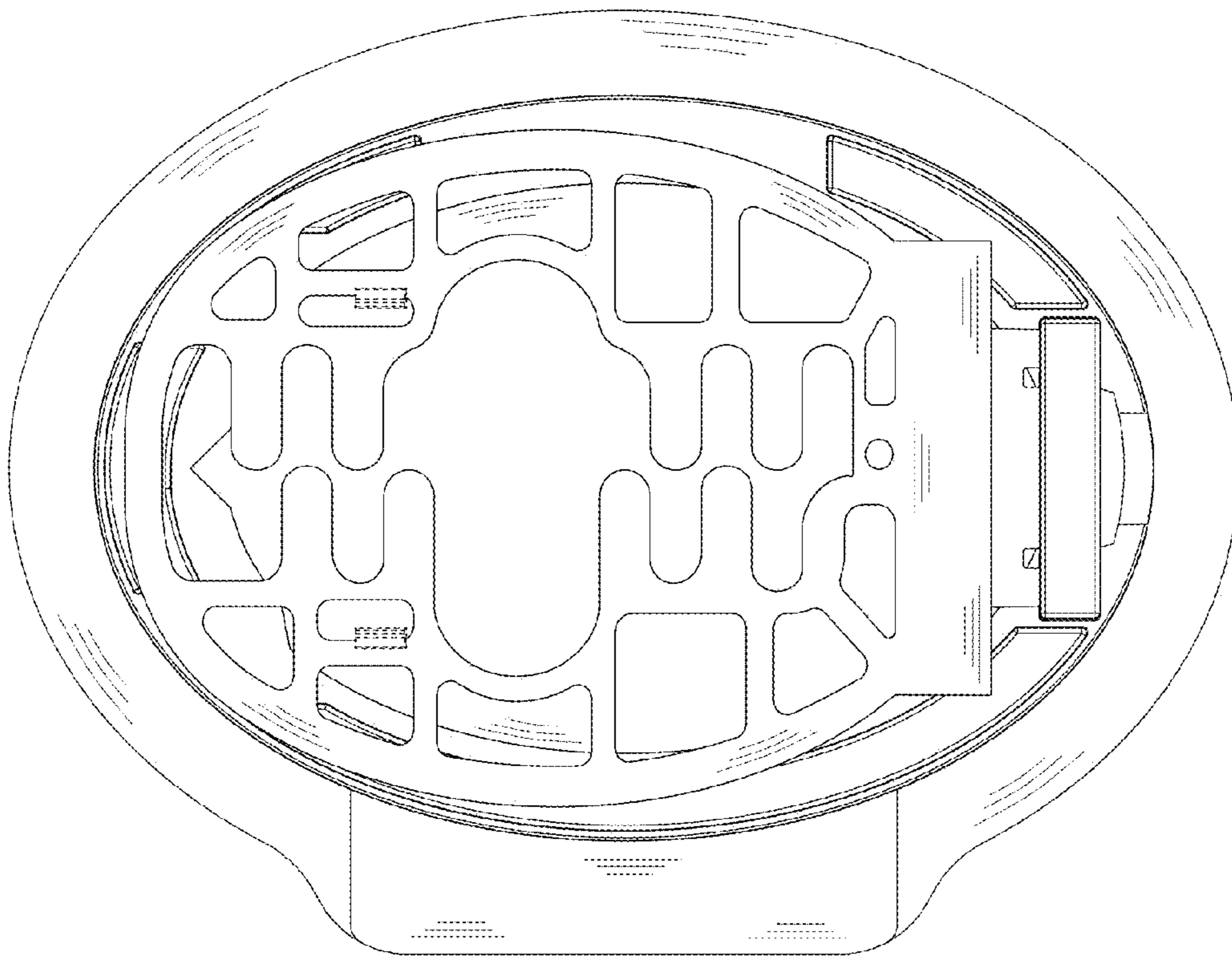
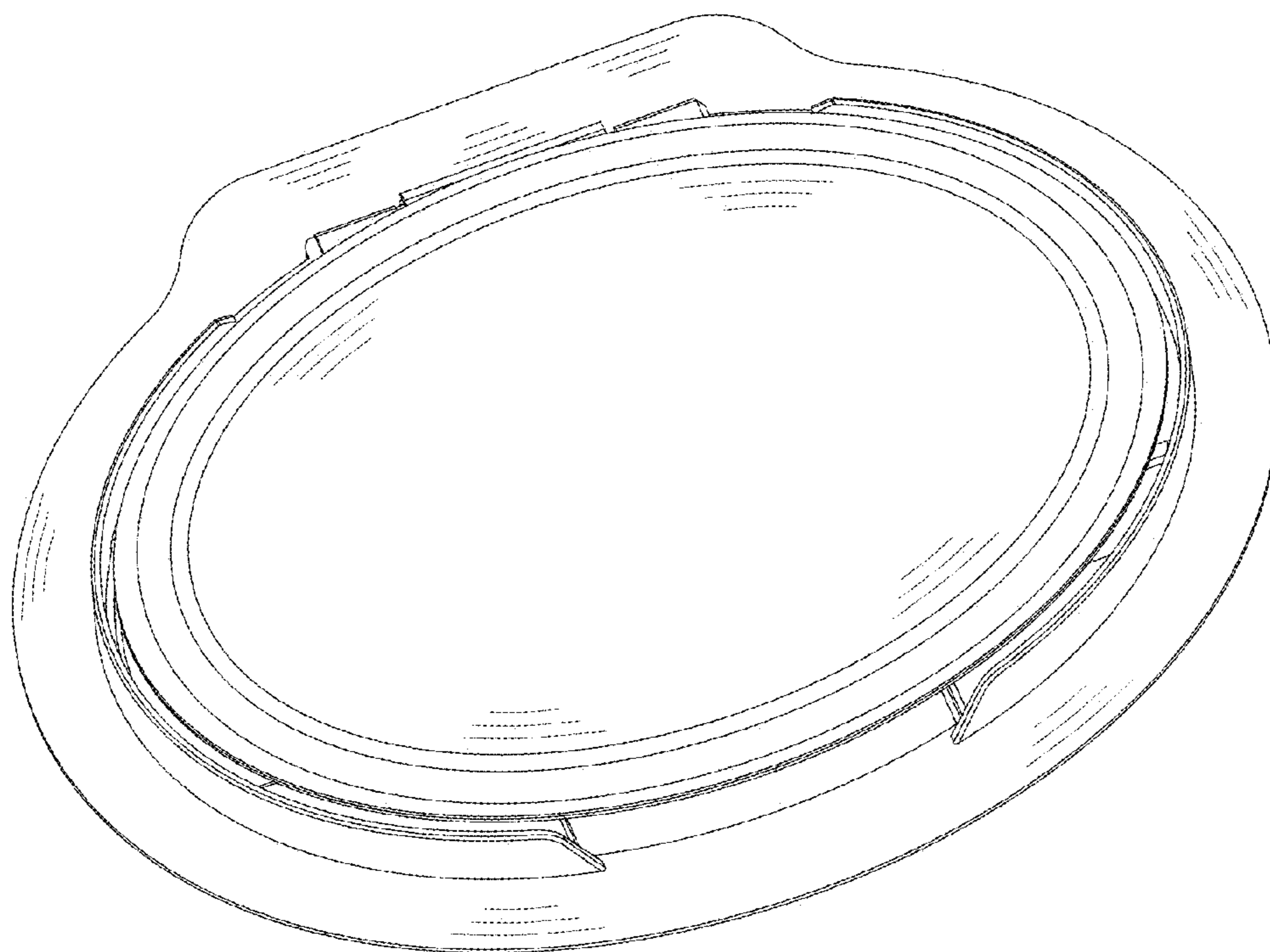


Fig. 7



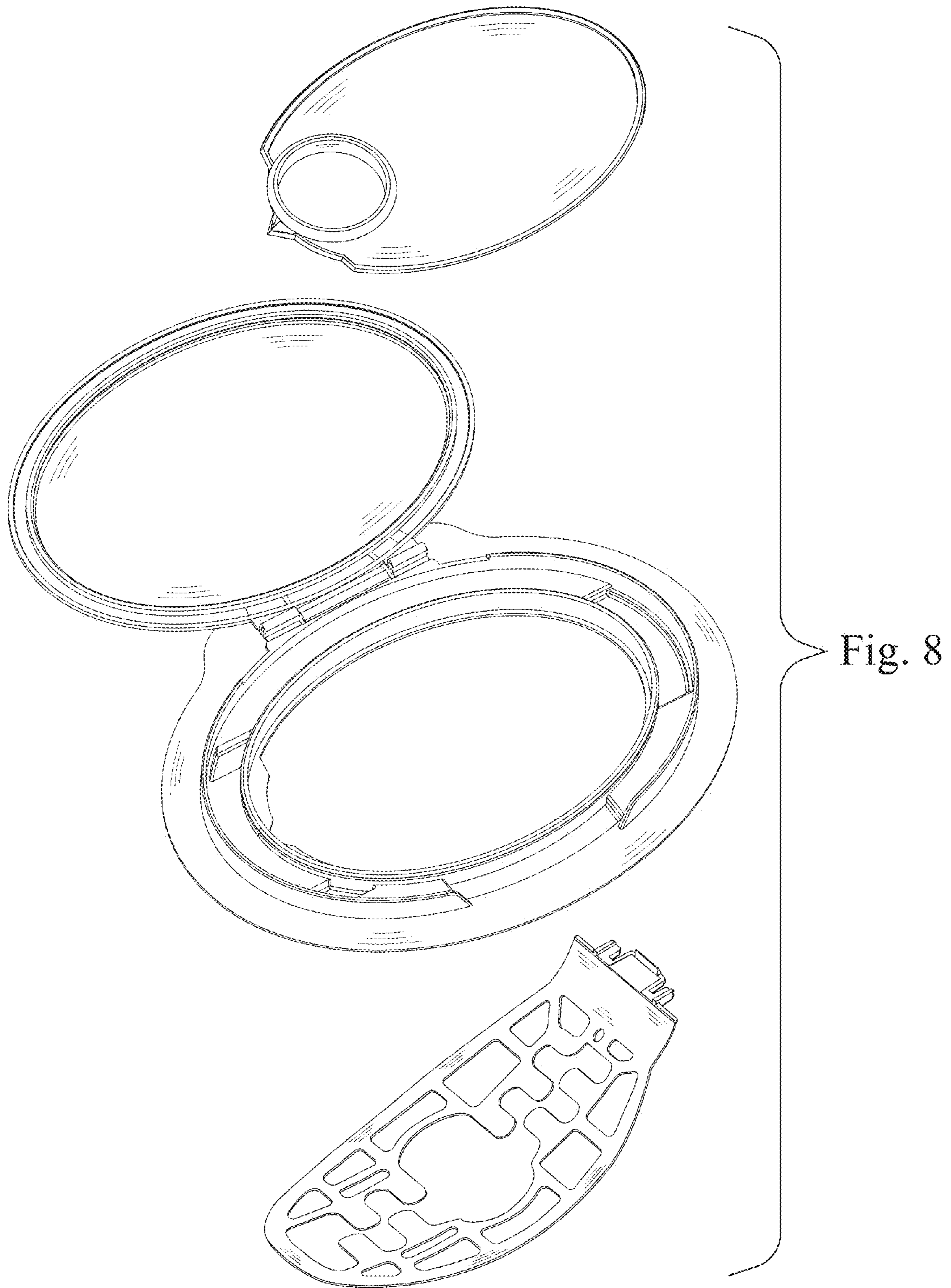


Fig. 9

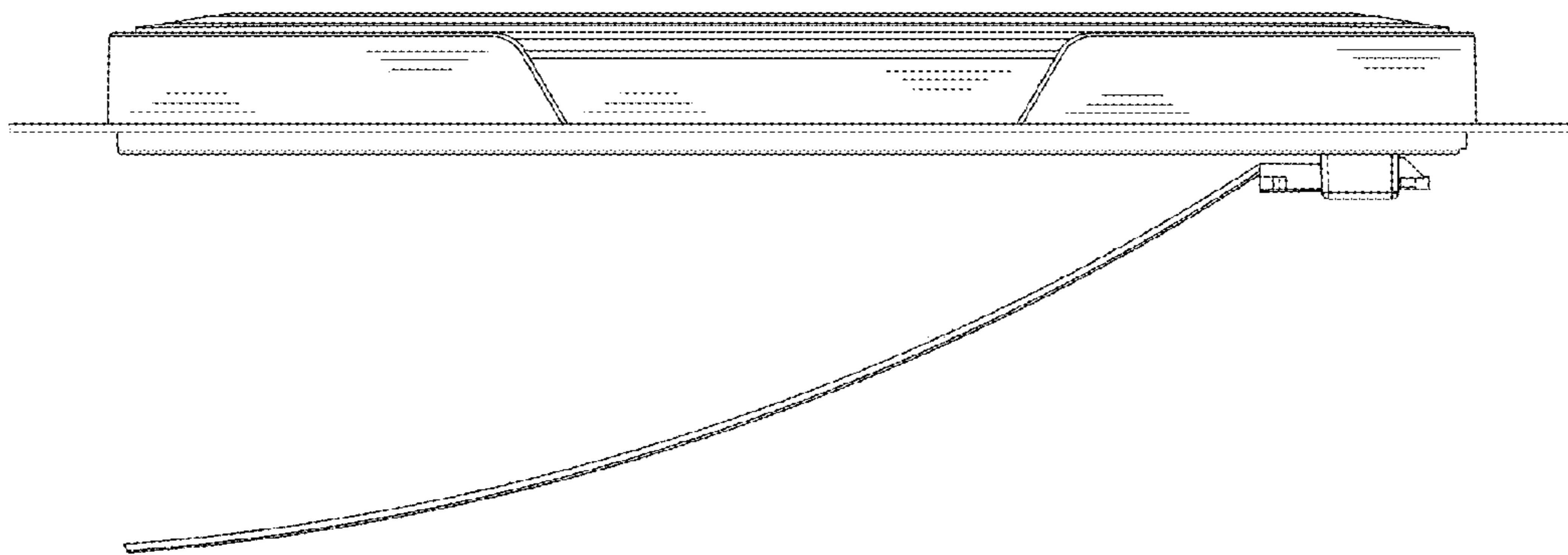


Fig. 10

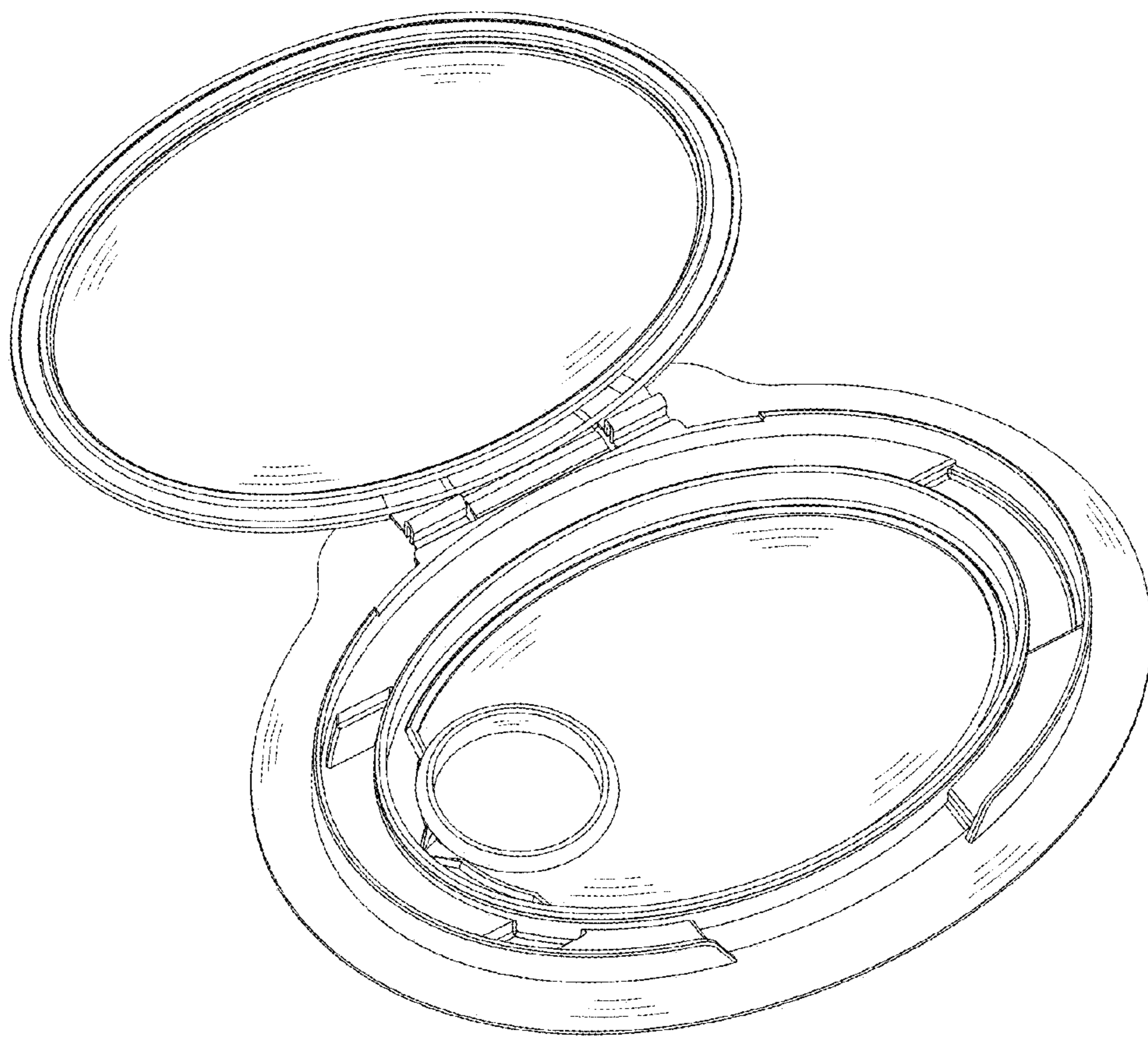


Fig. 11

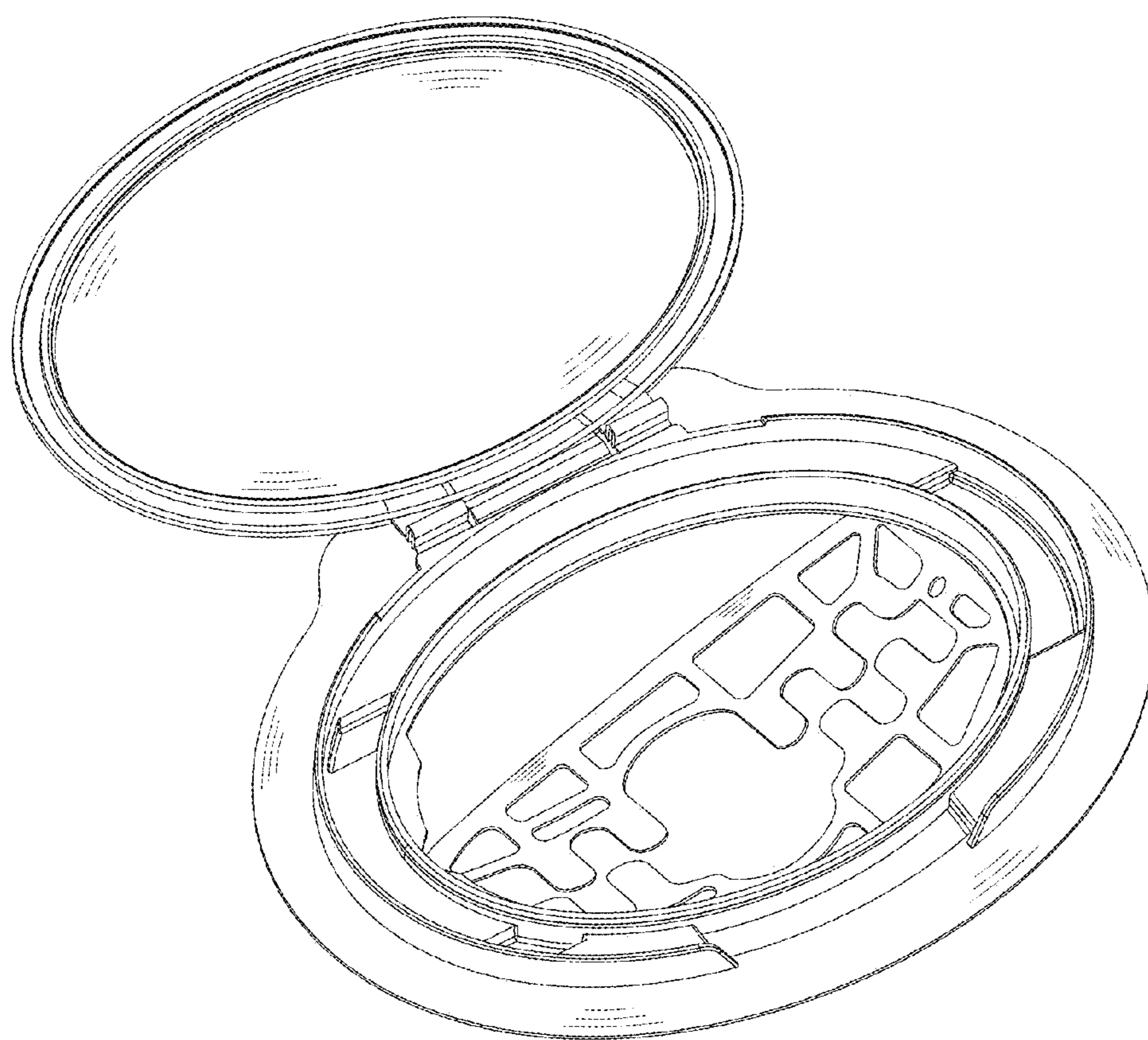


Fig. 12

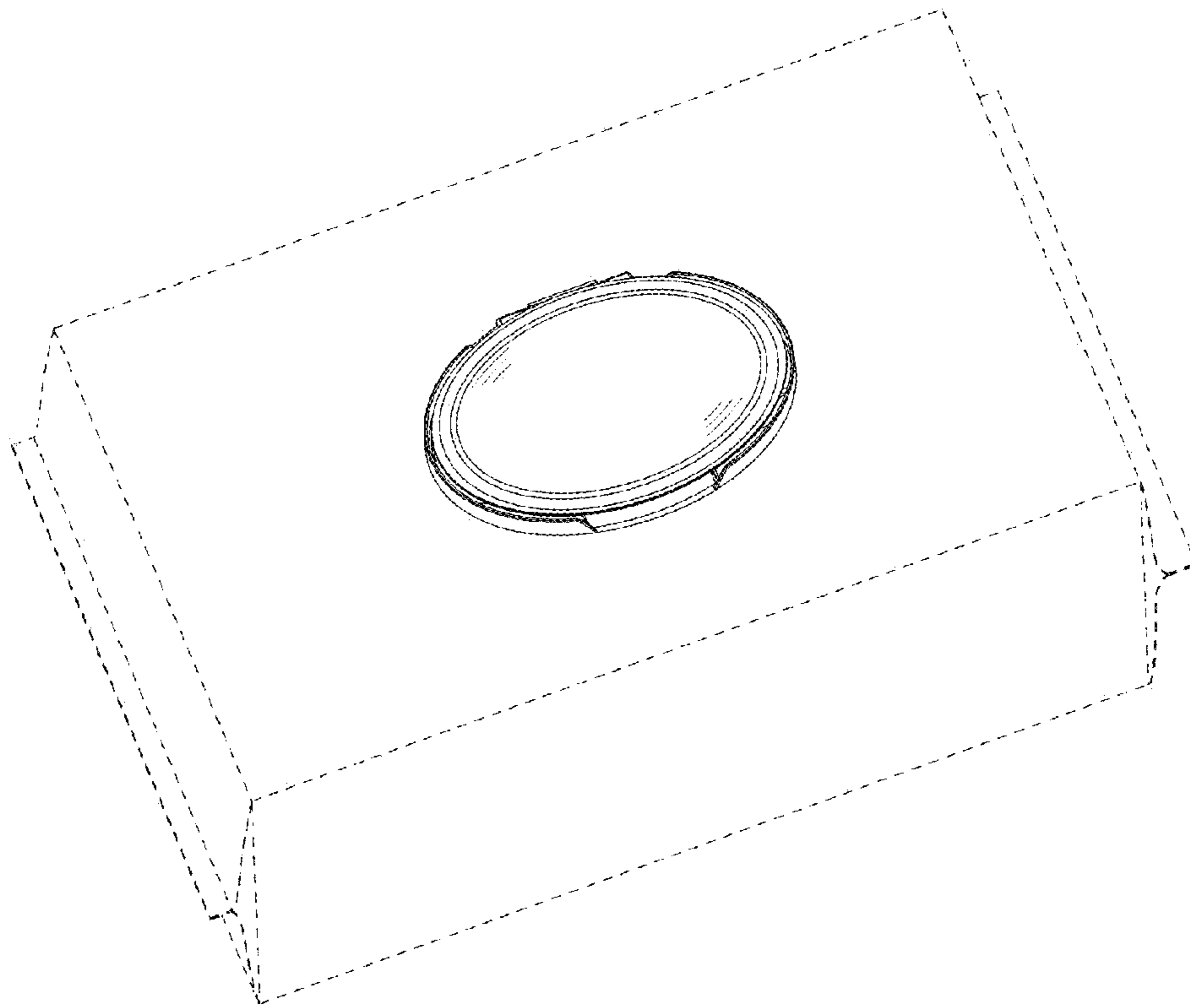


Fig.13

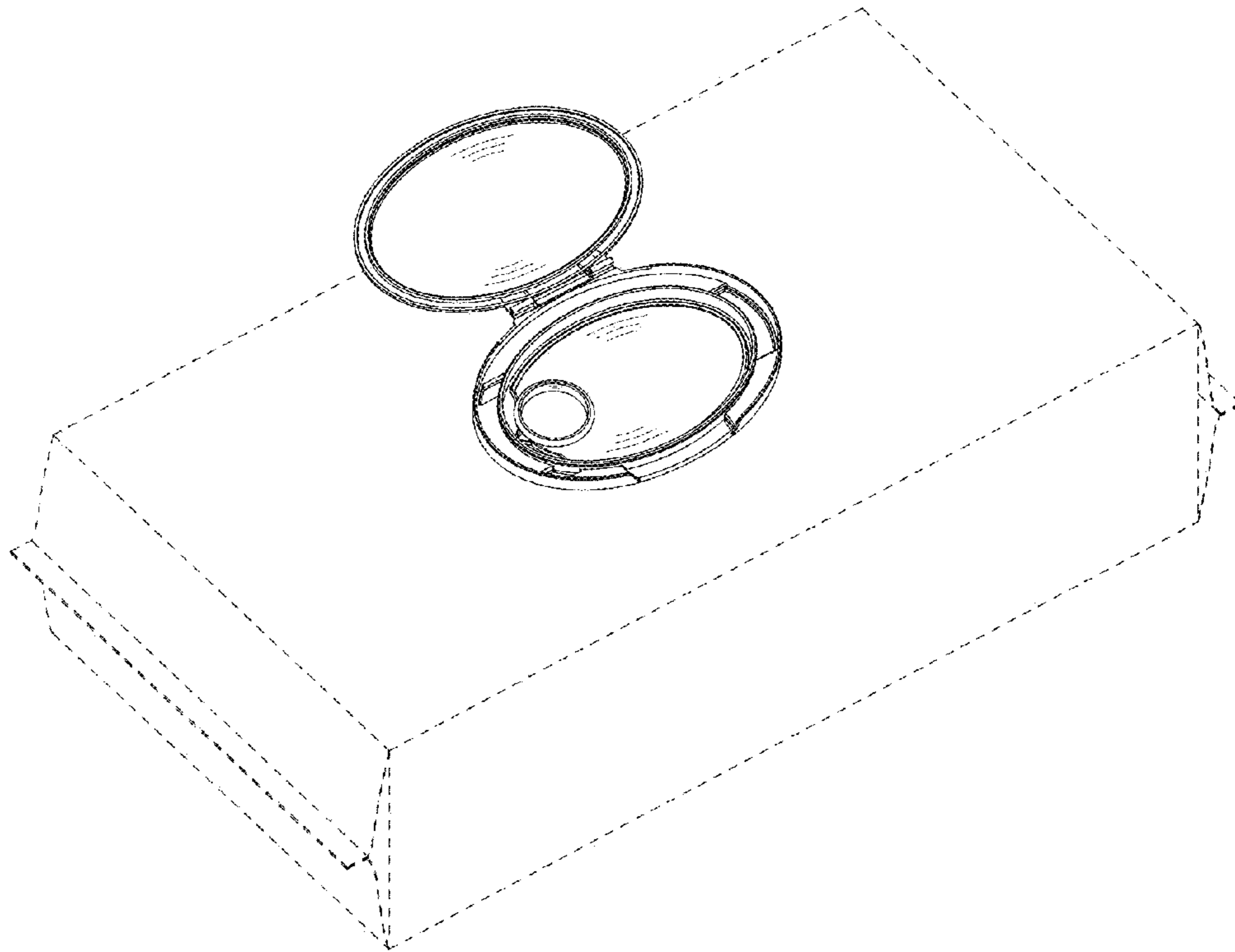


Fig. 14

