



US00D720218S

(12) **United States Design Patent**  
**Hutson et al.**

(10) **Patent No.:** **US D720,218 S**

(45) **Date of Patent:** **\*\* Dec. 30, 2014**

(54) **BOTTLE CAP**

(71) Applicant: **Confluence Beverages, LLC**, Dardenne Prairie, MO (US)

(72) Inventors: **Jeffrey Hutson**, Wildwood, MO (US);  
**Thomas A. Burkemper**, Dallas, TX (US)

(73) Assignee: **Confluence Beverages, LLC**, Dardenne Prairie, MO (US)

(\*\*) Term: **14 Years**

(21) Appl. No.: **29/469,806**

(22) Filed: **Oct. 15, 2013**

(51) **LOC (10) Cl.** ..... **09-07**

(52) **U.S. Cl.**  
USPC ..... **D9/443; D9/449**

(58) **Field of Classification Search**  
USPC ..... D6/452-545; D7/300, 321, 392.1,  
D7/396.2, 500, 507, 509, 510, 511, 900;  
D9/434-448, 452-455, 682, 685, 694;  
215/200, 235, 236, 252, 254, 329,  
215/355-364; 220/203.04-203.07, 220,  
220/254.1, 254.4, 556, 703, 704, 705  
See application file for complete search history.

(56) **References Cited**

U.S. PATENT DOCUMENTS

D165,653 S \* 1/1952 Johnson ..... D32/34  
D288,667 S \* 3/1987 Miner ..... D9/443

(Continued)

*Primary Examiner* — Robert M Spear

*Assistant Examiner* — Marissa J Cash

(74) *Attorney, Agent, or Firm* — Thompson Coburn LLP

(57) **CLAIM**

The ornamental design for a bottle cap, as shown and described.

**DESCRIPTION**

FIG. 1 is a perspective view of a bottle cap showing our new design with a spout and a handle of the cap shown in a downward position;

FIG. 2 is a perspective view of the bottle cap of FIG. 1 with the handle shown in an angled position and the spout shown in a down position;

FIG. 3 is a perspective view of the bottle cap of FIG. 1 with the handle shown in another angled position and the spout in a down position;

FIG. 4 is a perspective view of the bottle cap of FIG. 1 with the handle in a down position and the spout in an angled position;

FIG. 5 is a perspective view of the bottle cap of FIG. 1 with the spout shown in a fully upright position and the handle in a down position;

FIG. 6 is an alternate perspective view of the bottle cap of FIG. 1 with the handle and drinking spout shown in angled positions;

FIG. 7 is a top view of the bottle cap of FIG. 1 with the spout and the handle in a down position;

FIG. 8 is a right side view of the bottle cap of FIG. 7 with the spout in an upright position and the handle in a down position (the left side view being a mirror image thereof);

FIG. 9 is a rear view of the bottle cap of FIG. 7 with the spout in an upright position and the handle in a down position;

FIG. 10 is a front view of the bottle cap of FIG. 7 with the spout in an upright position and the handle in a down position;

FIG. 11 is a front view of the bottle cap of FIG. 7 with the handle in an upright position and the spout in a down position;

FIG. 12 is a right side view of the bottle cap of FIG. 7 with the handle in an upright position and the spout in a down position (the left side view being a mirror image thereof);

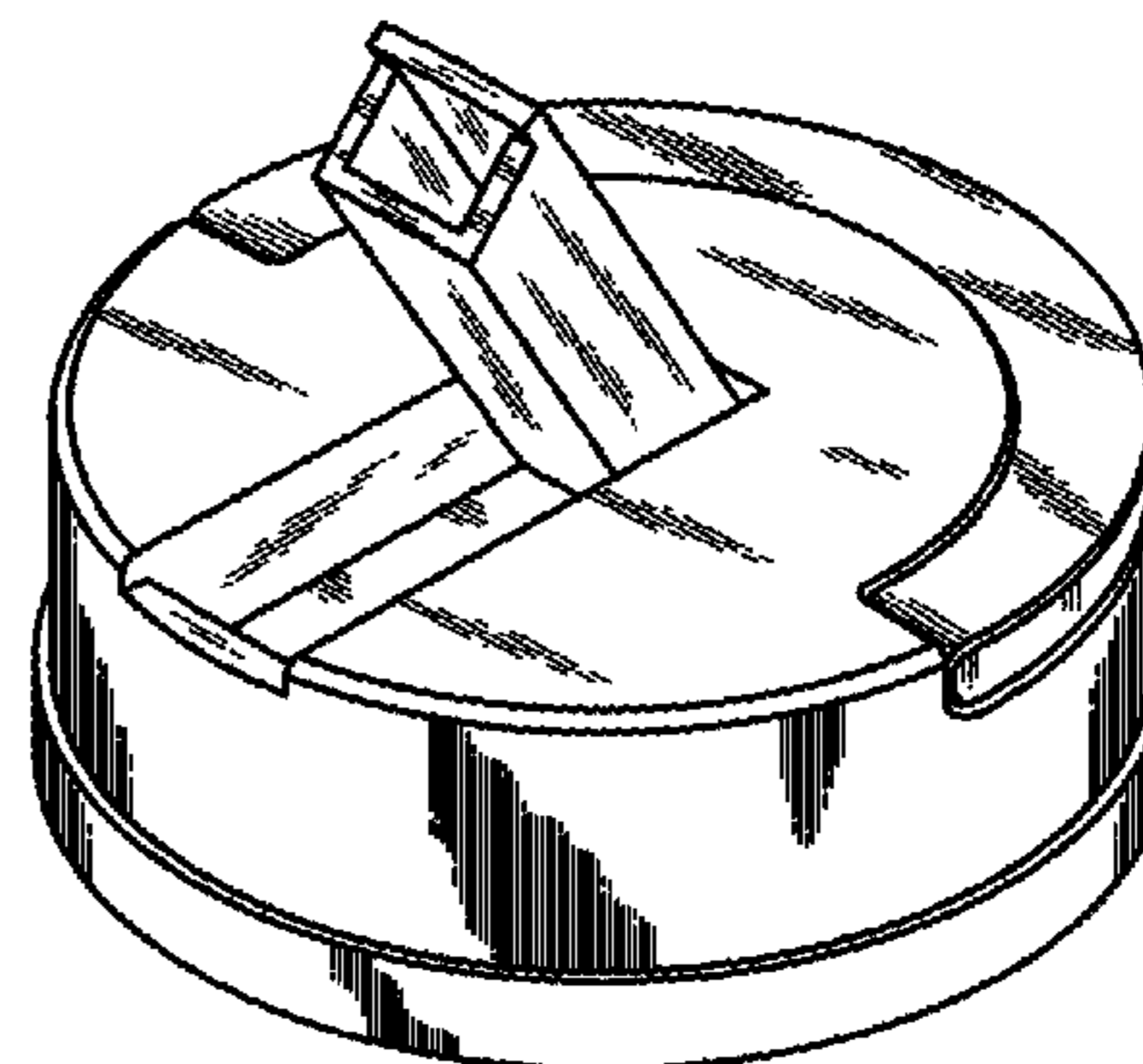
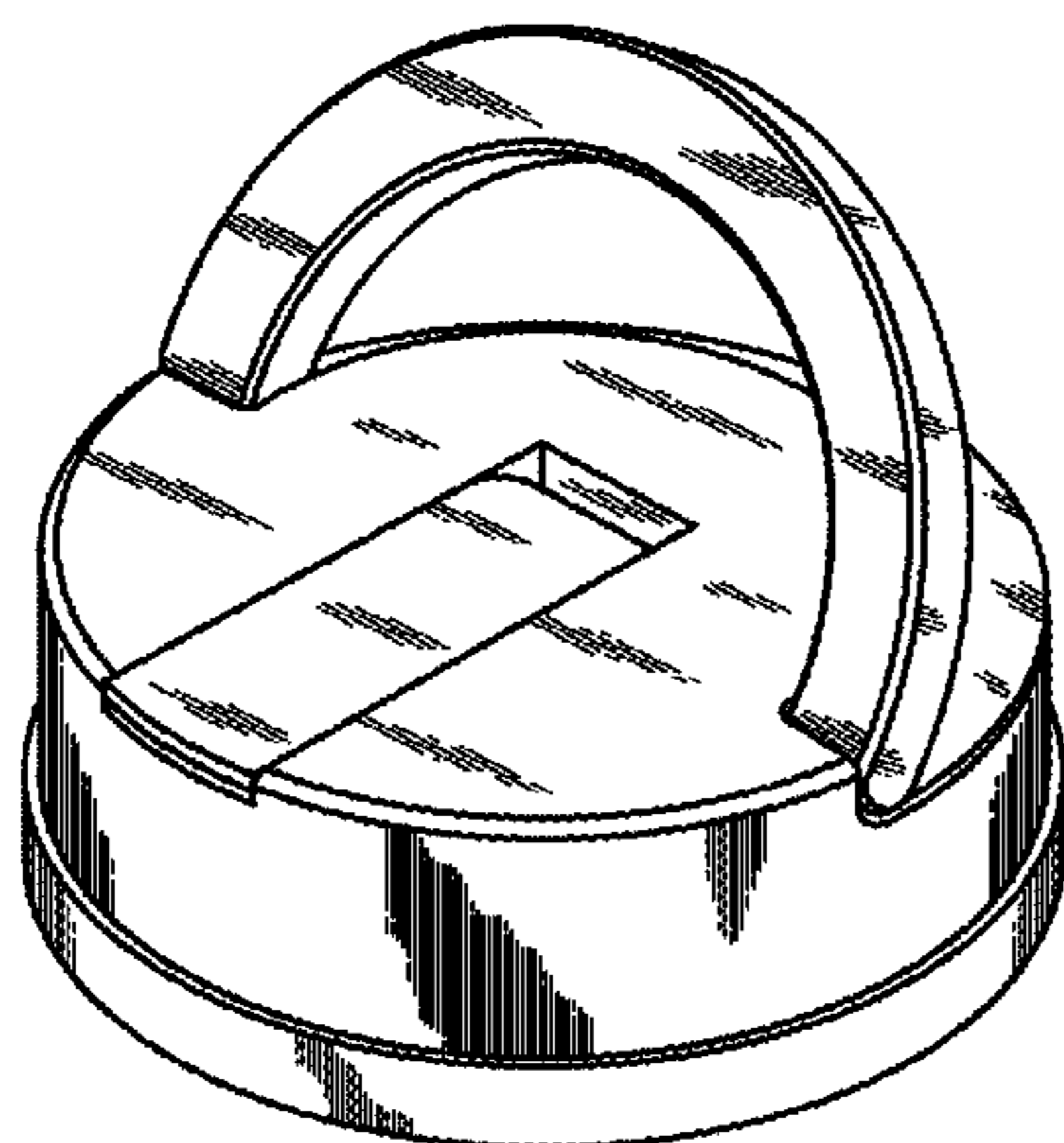
FIG. 13 is a rear view of the bottle cap of FIG. 7 with the handle in an upright position and the spout in a down position; and,

FIG. 14 is a bottom view of the bottle cap of FIG. 7.

The dashed lines form no part of the claimed design.

The figures show surface shading which forms no part of the claimed design.

**1 Claim, 7 Drawing Sheets**



(56)

**References Cited**

U.S. PATENT DOCUMENTS

5,242,079 A \* 9/1993 Stephens et al. .... 220/705  
5,244,113 A \* 9/1993 Stymiest ..... 220/710.5  
D351,761 S \* 10/1994 Feer ..... D7/510  
5,482,172 A \* 1/1996 Braddock ..... 222/478

D511,457 S \* 11/2005 Biesecker et al. .... D9/443  
D584,566 S \* 1/2009 Fuller ..... D7/396.2  
D647,532 S \* 10/2011 Busch ..... D14/480.3  
D672,238 S \* 12/2012 Aziz et al. .... D9/443  
D690,987 S \* 10/2013 Gallen ..... D7/392.1  
D700,014 S \* 2/2014 Zeanah ..... D7/510  
D703,997 S \* 5/2014 Munari ..... D7/393

\* cited by examiner

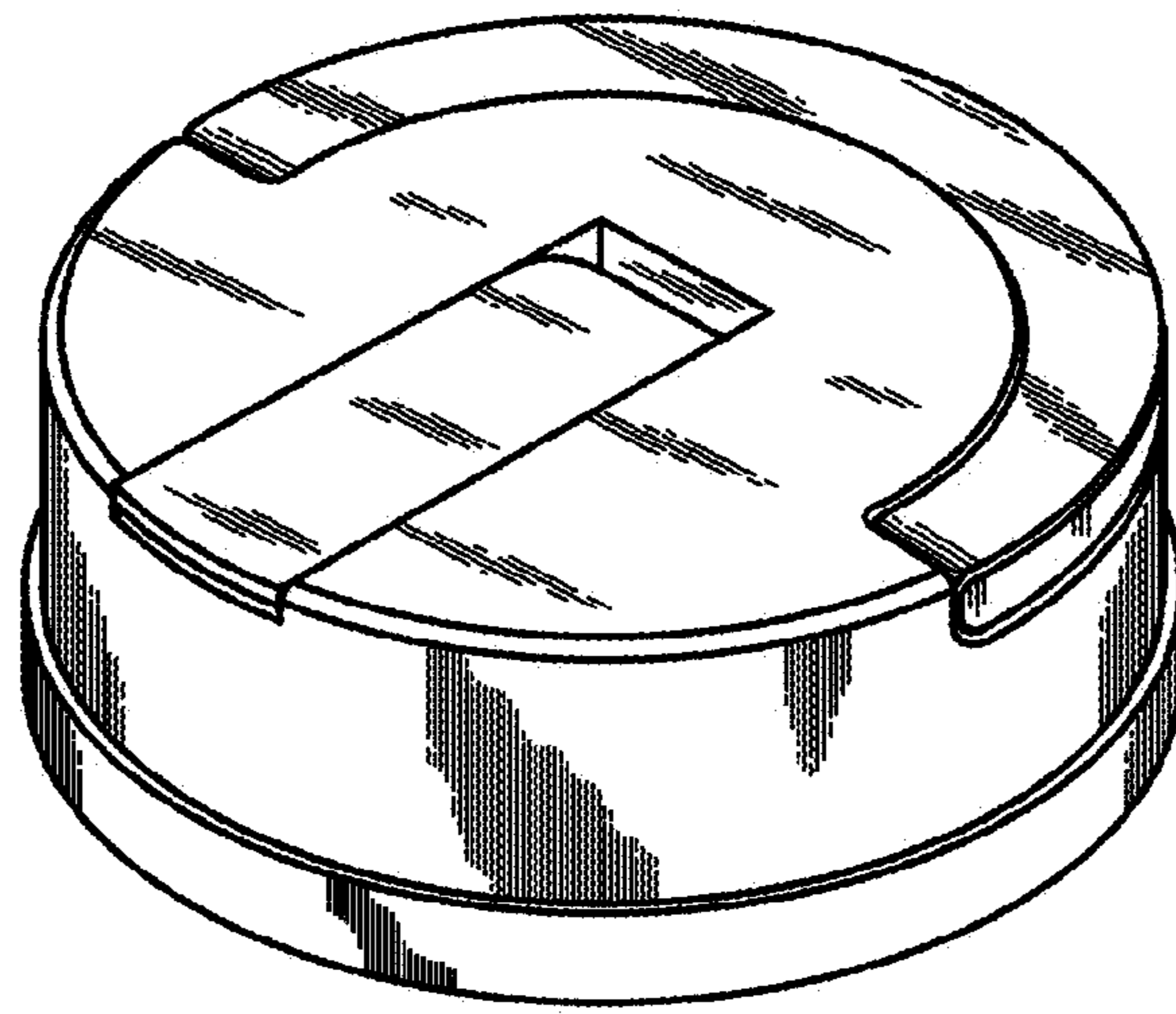


Figure 1

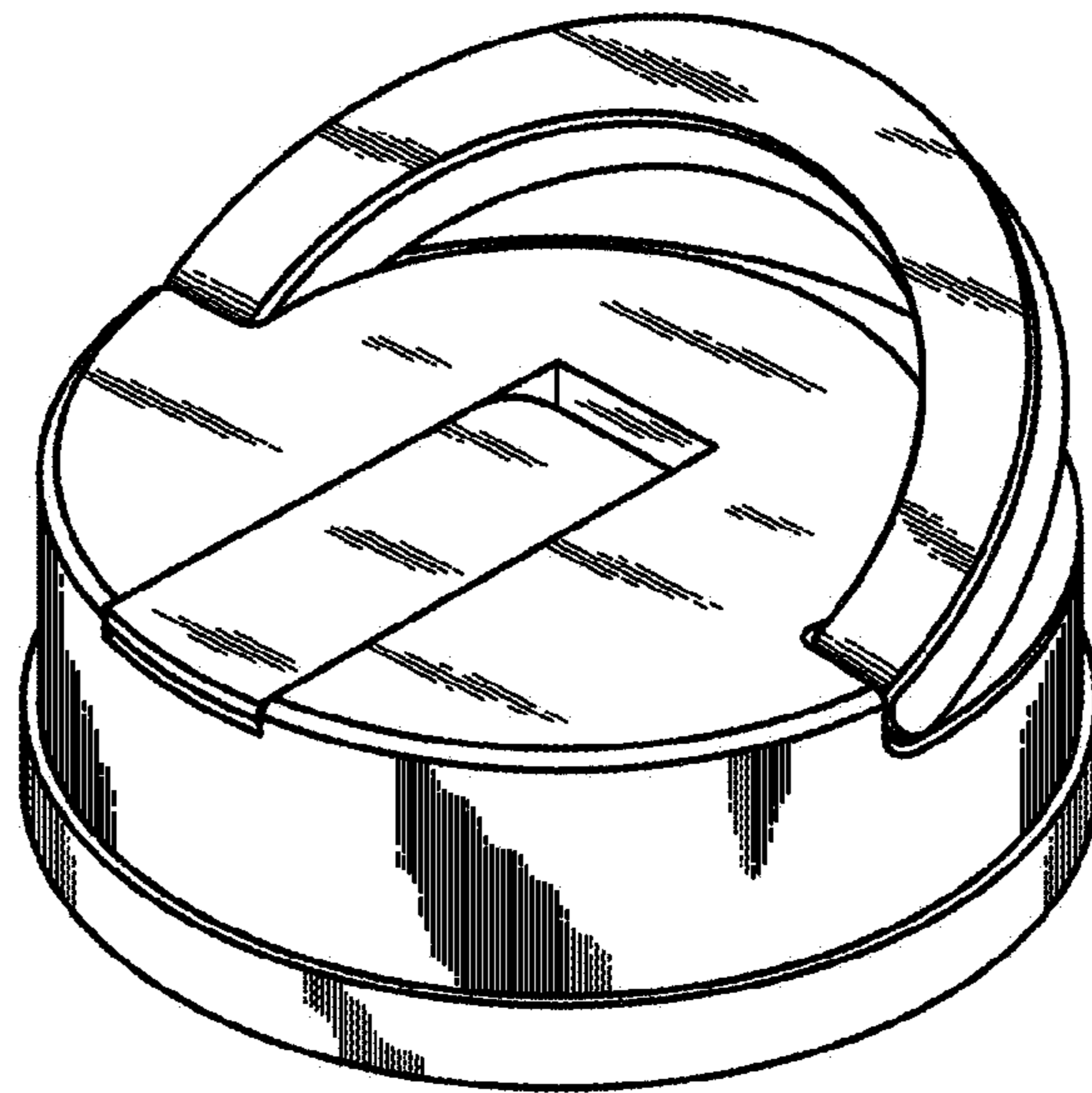


Figure 2

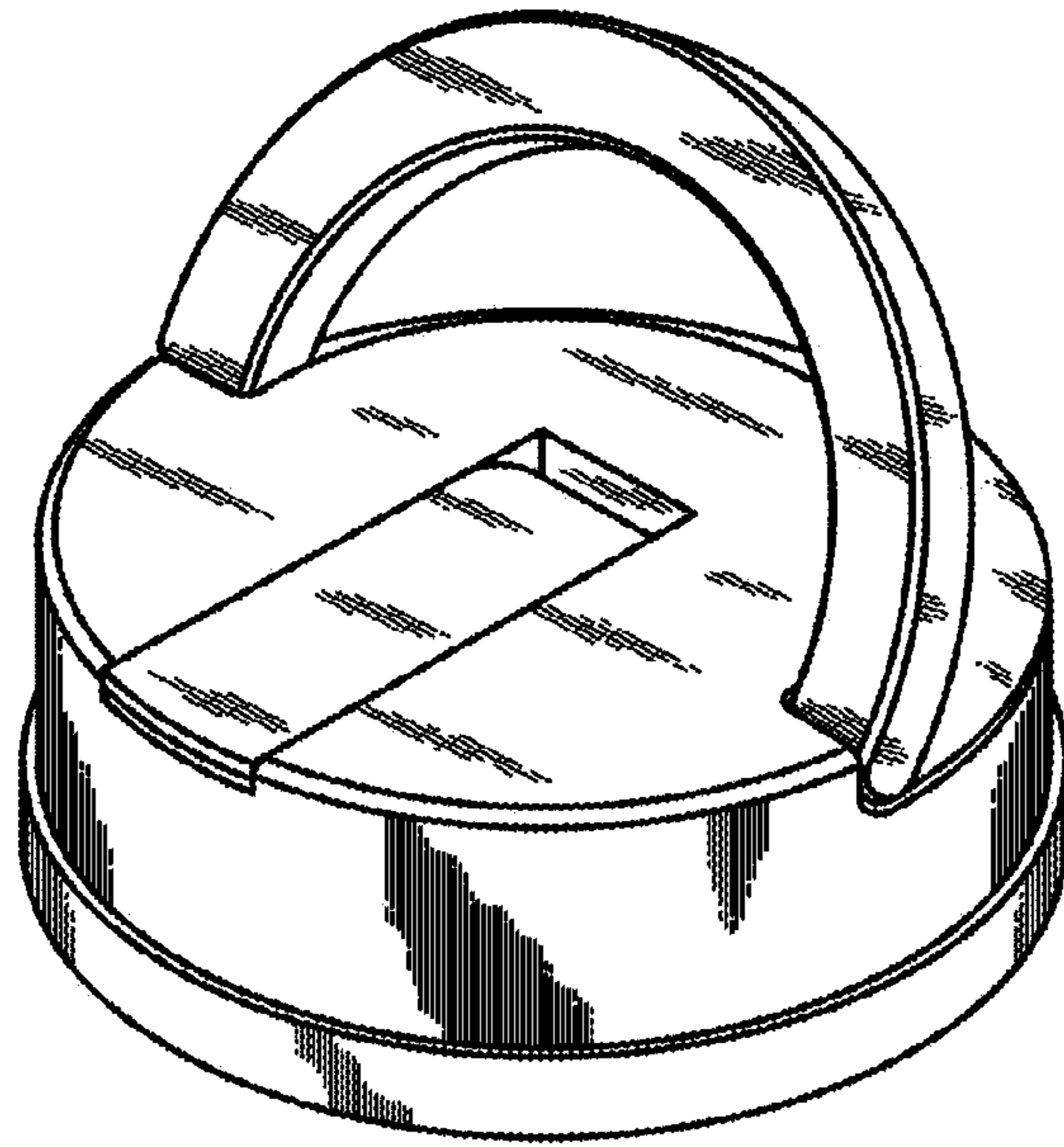


Figure 3

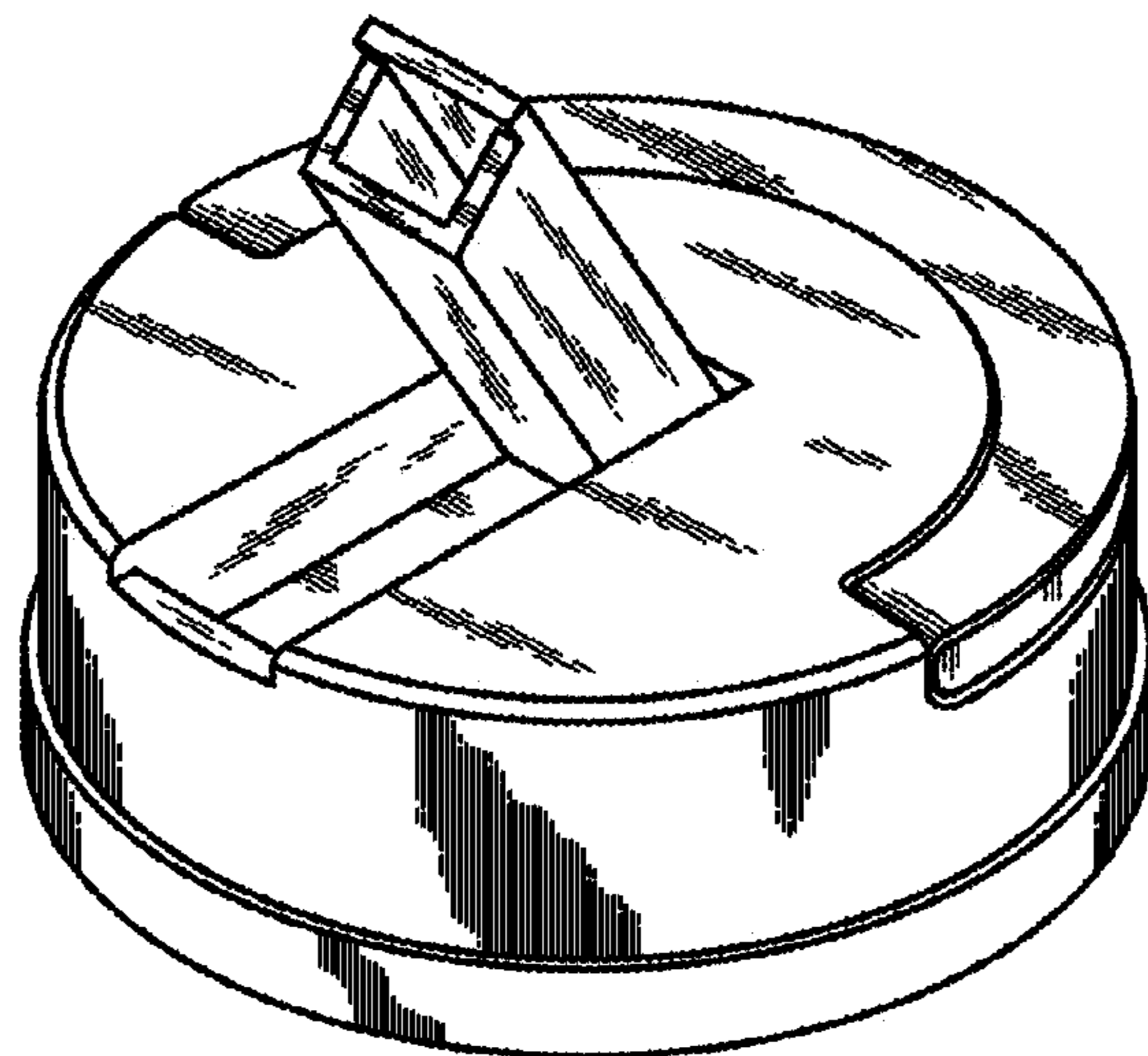


Figure 4

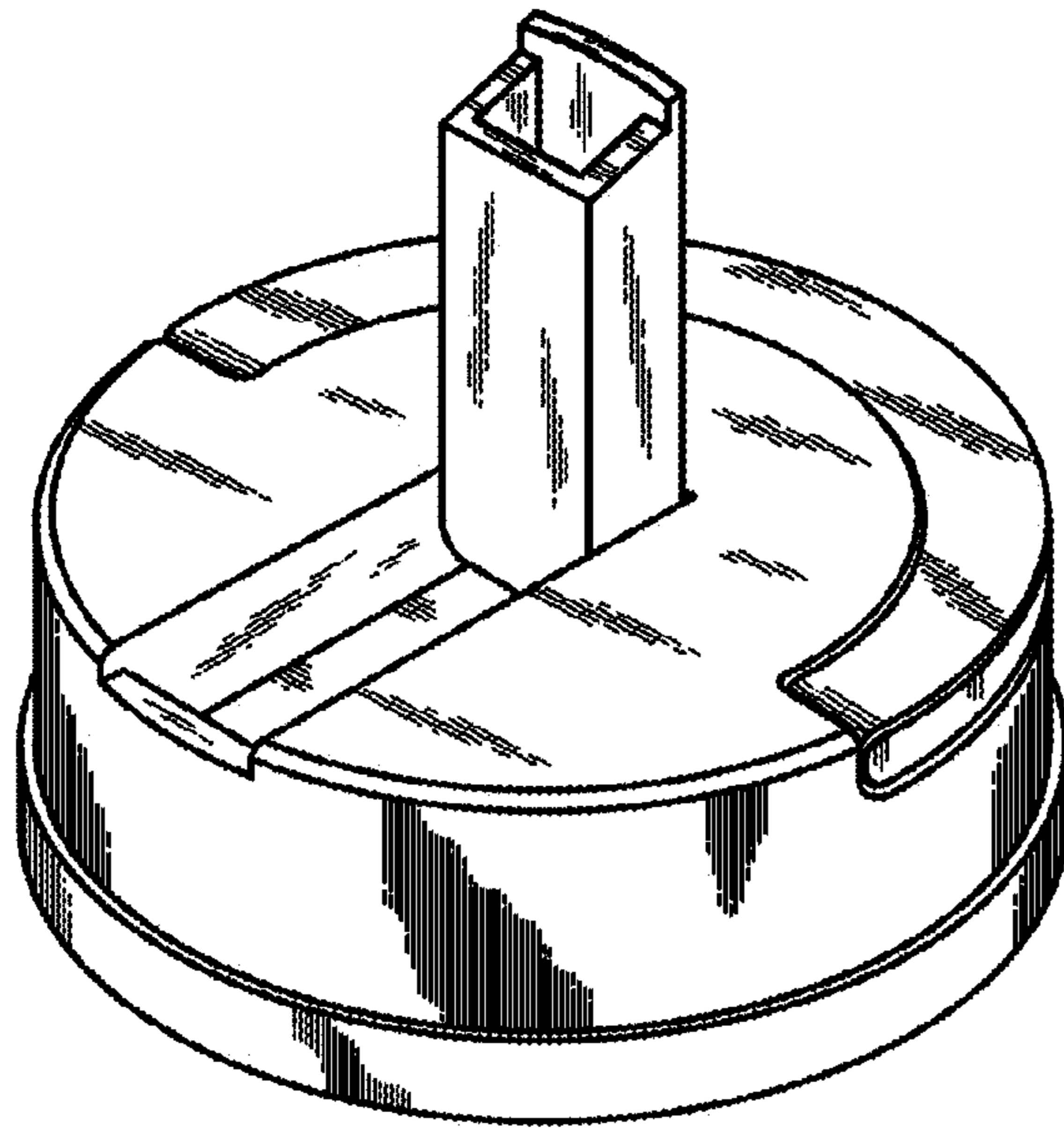


Figure 5

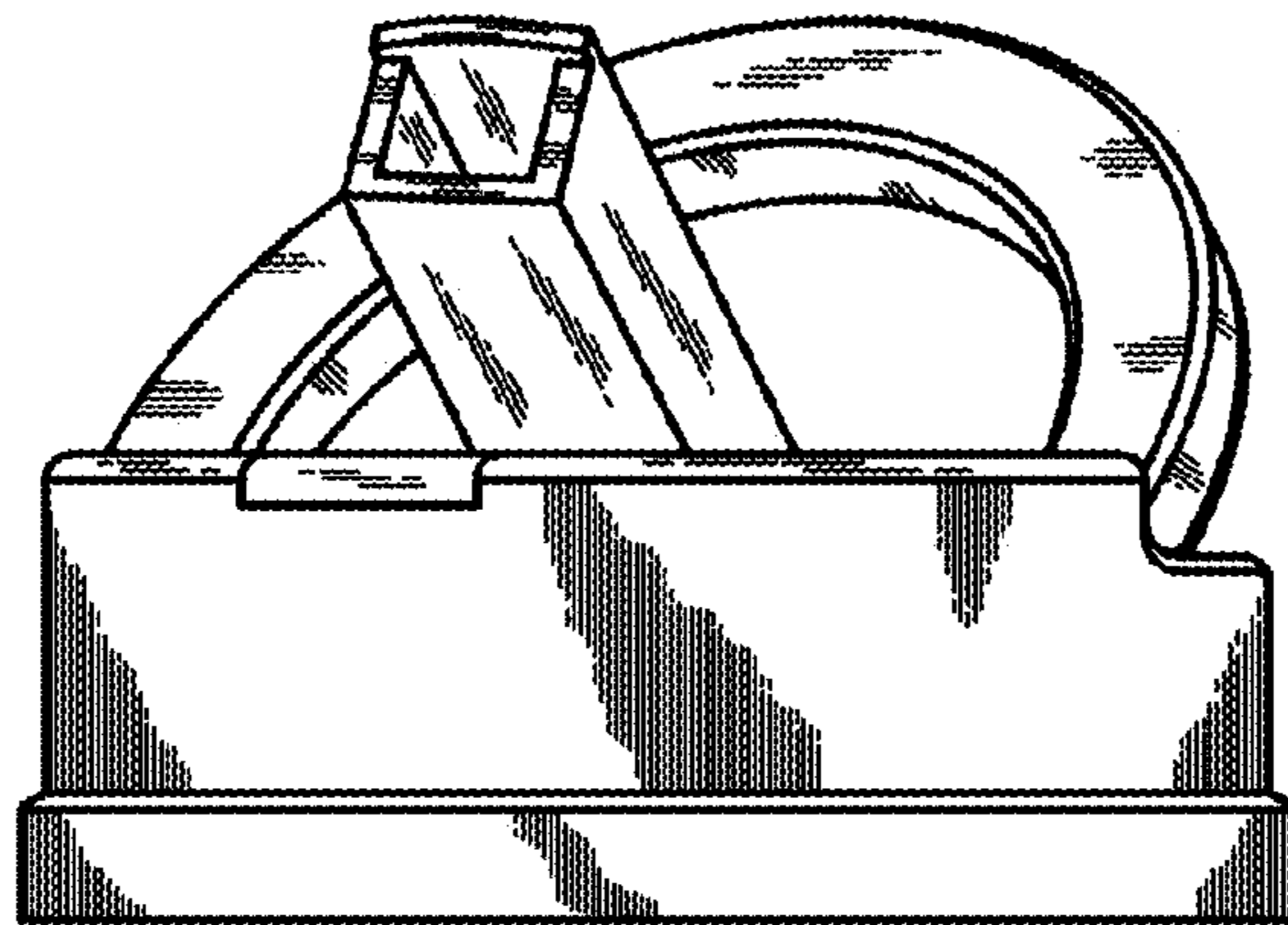


Figure 6

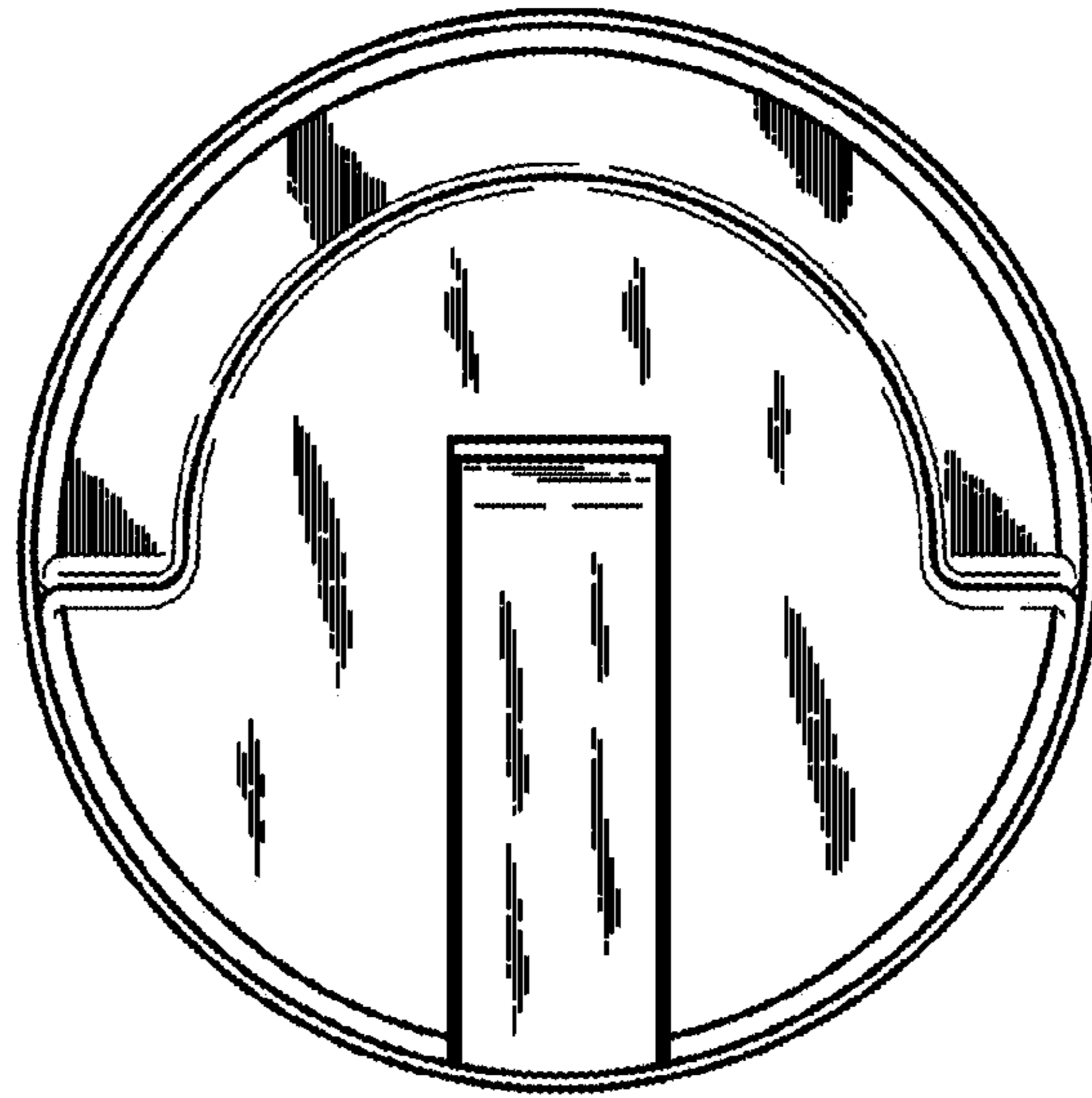


Figure 7

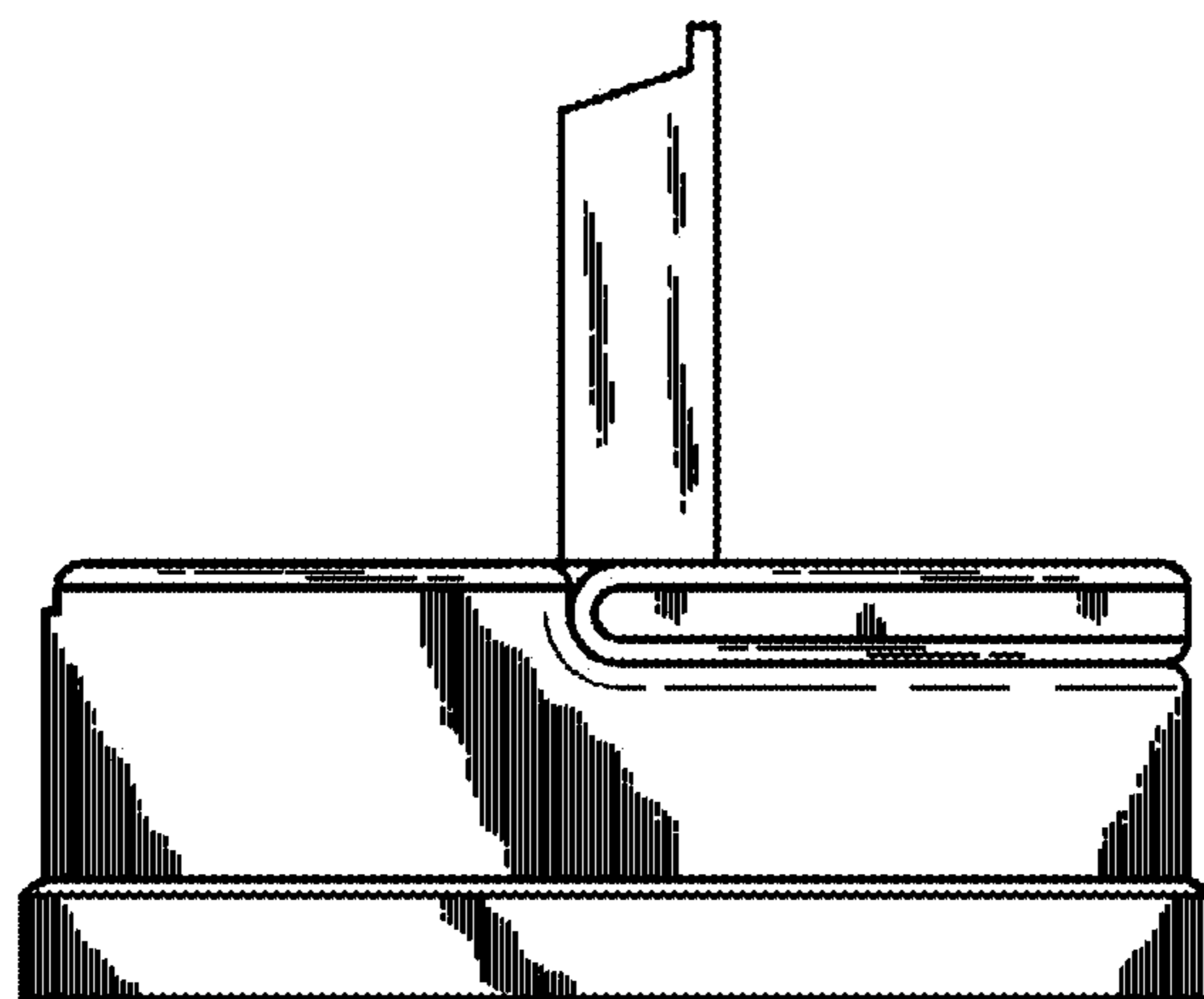


Figure 8

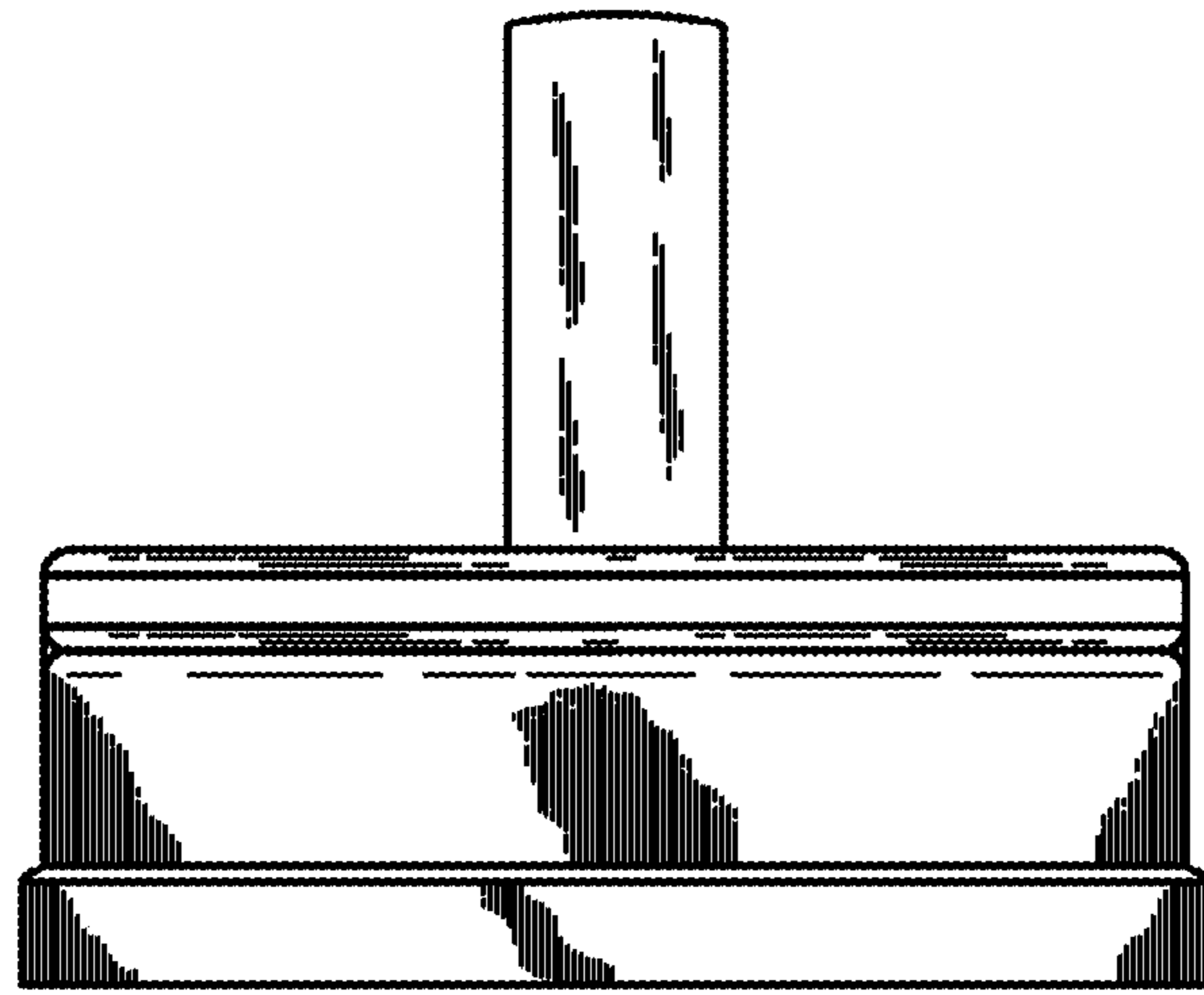


Figure 9

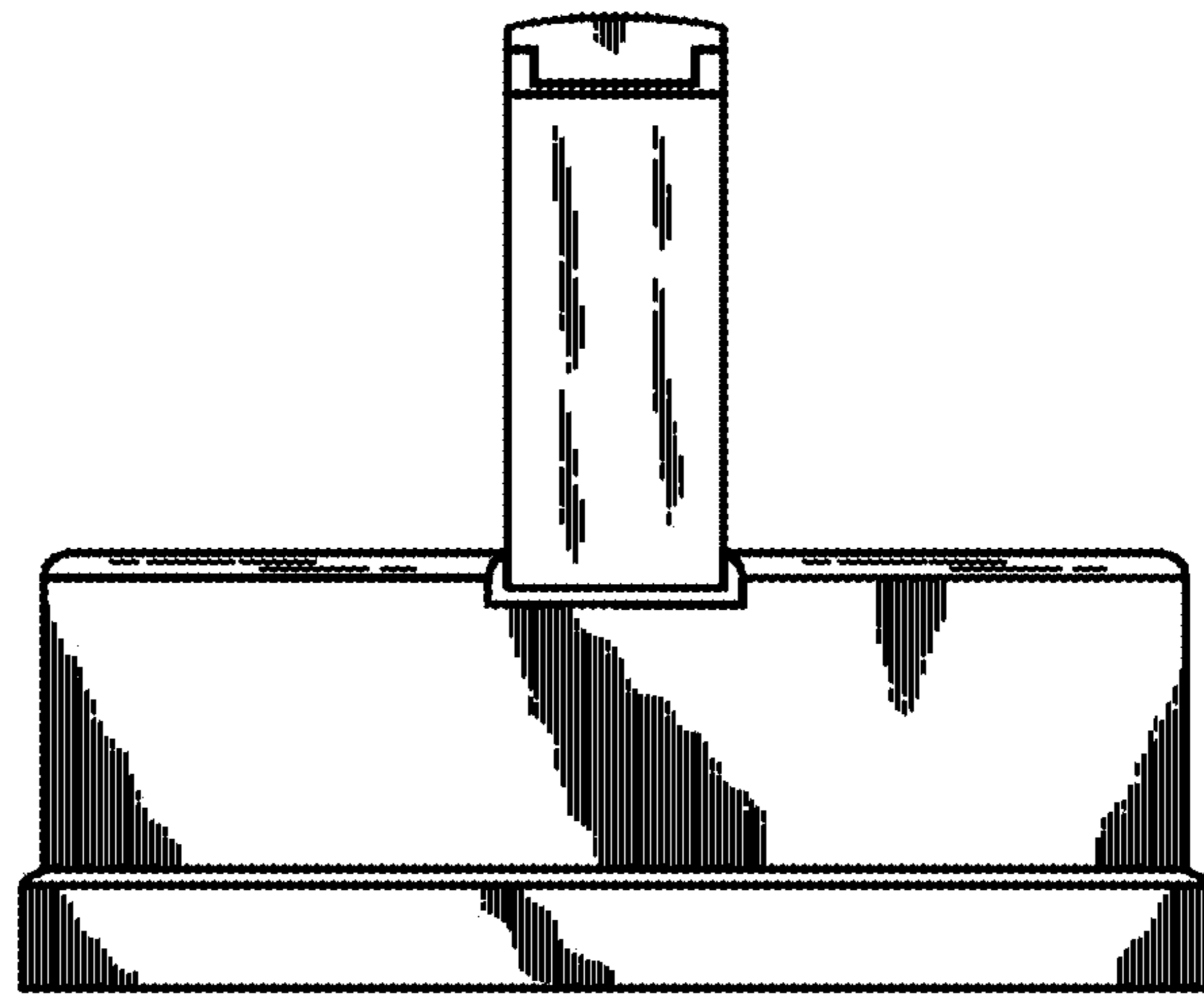


Figure 10

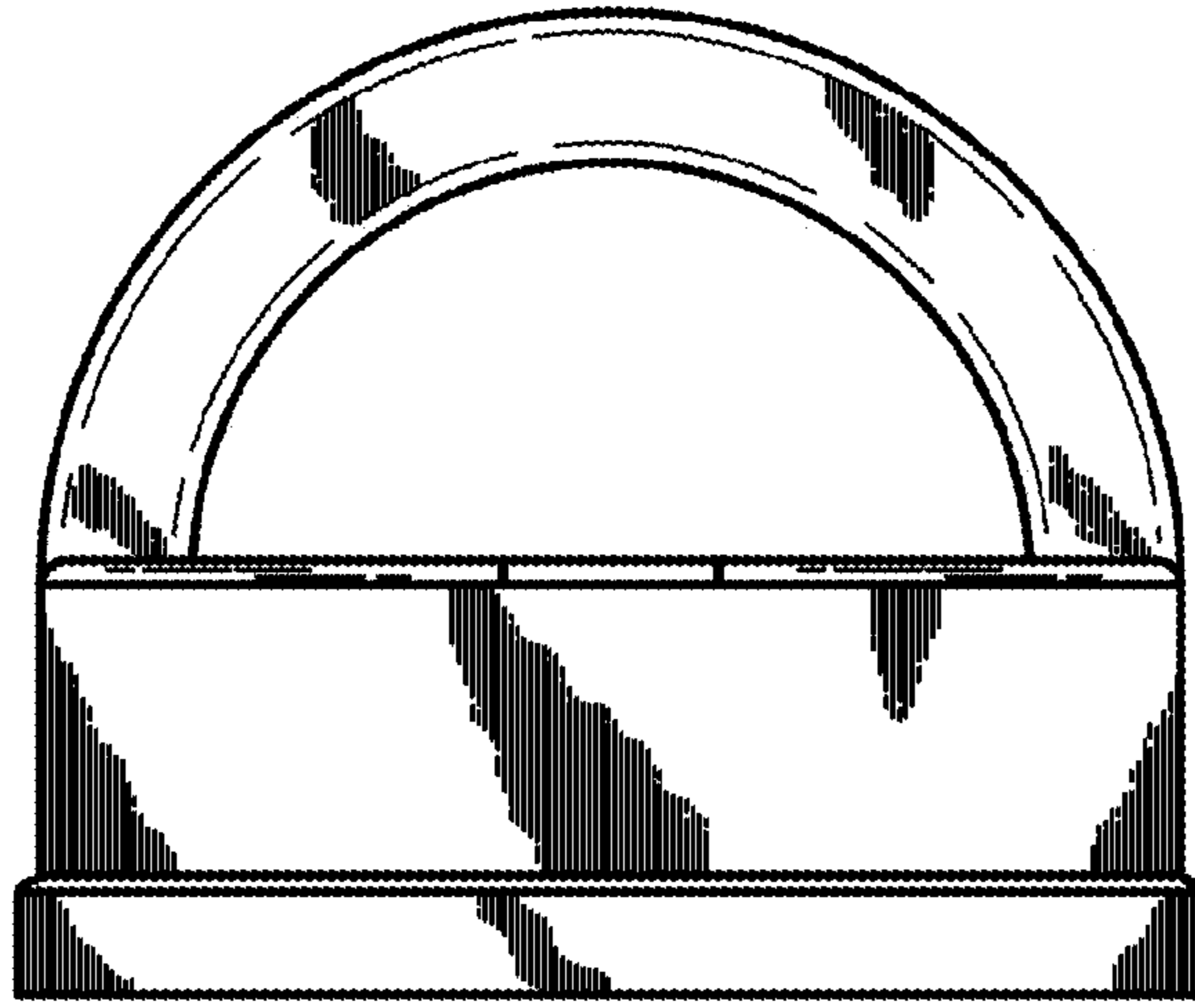


Figure 11

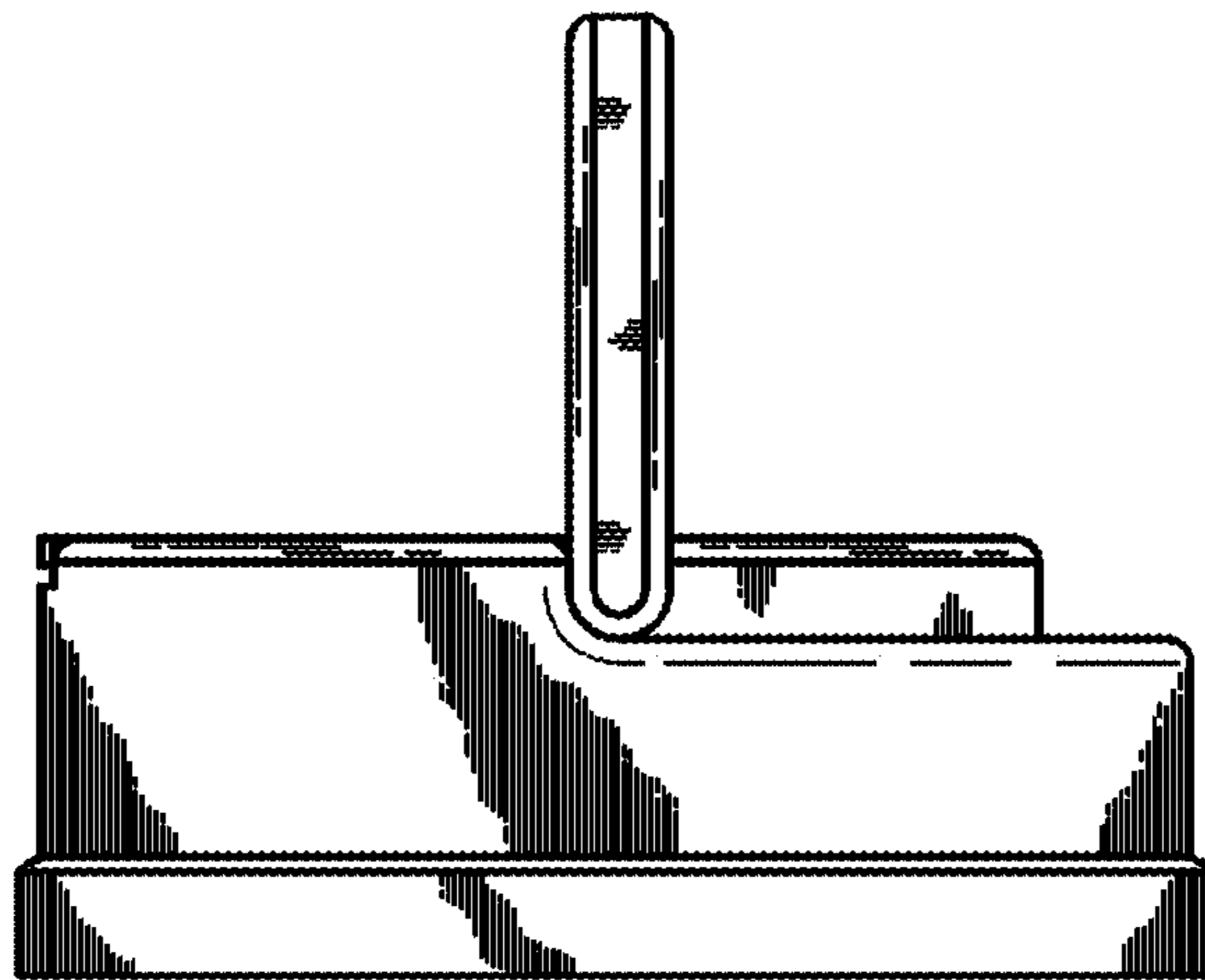


Figure 12



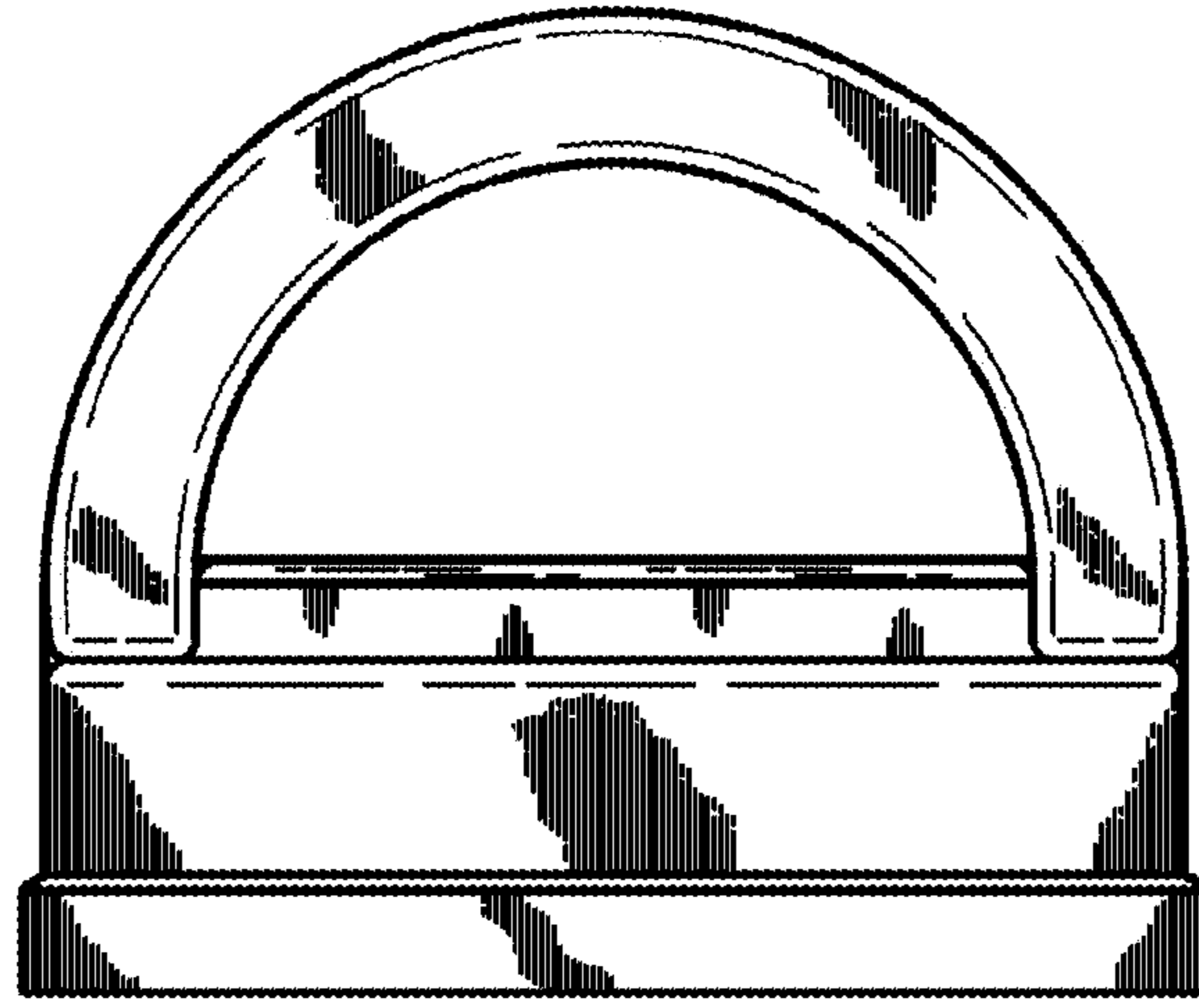


Figure 13

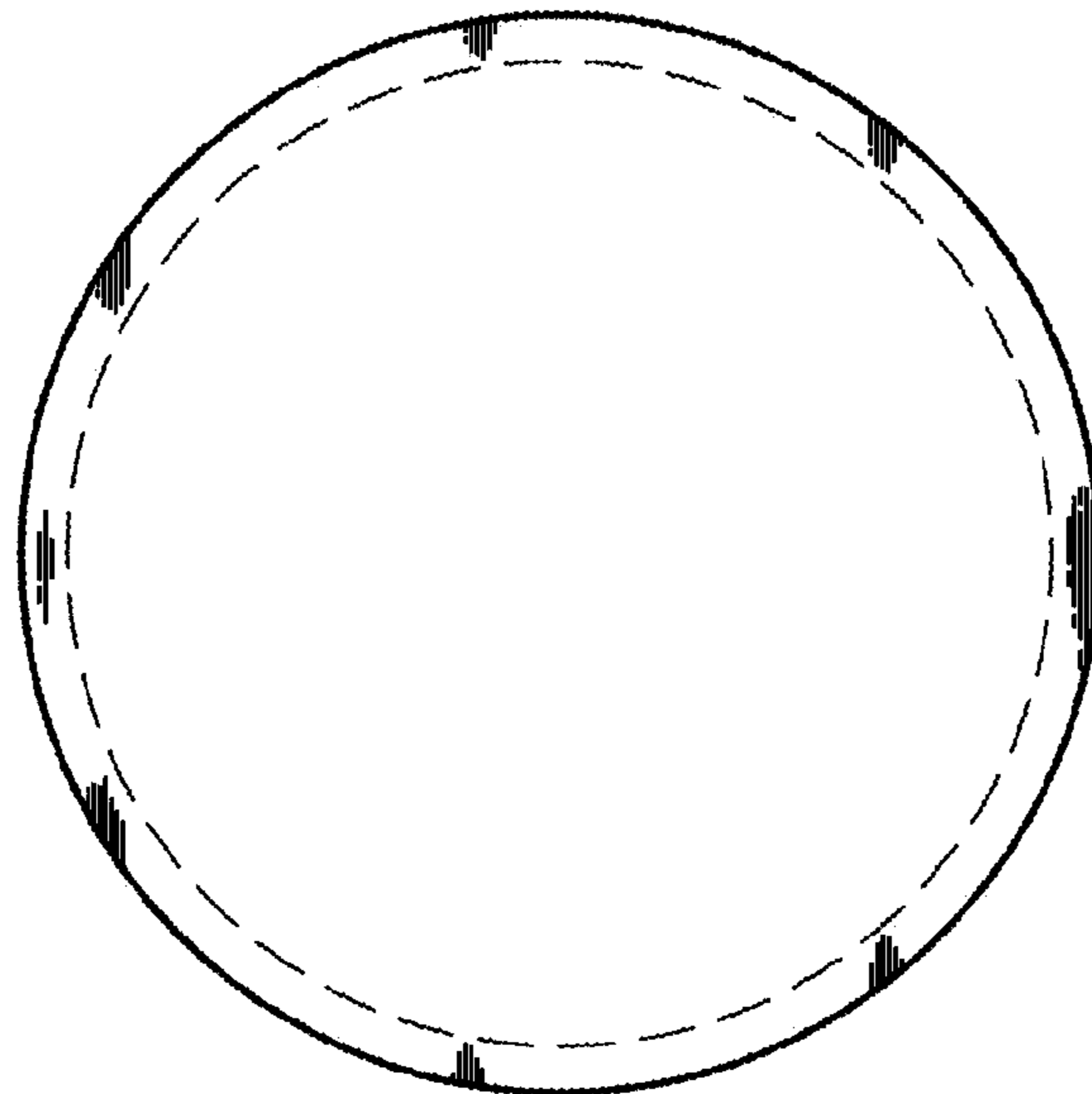


Figure 14