



US00D720217S

(12) **United States Design Patent**
Oates et al.

(10) **Patent No.:** **US D720,217 S**

(45) **Date of Patent:** **** Dec. 30, 2014**

(54) **FLEXIBLE ORAL DISPENSING APPARATUS**

(71) Applicant: **Performance Packaging of Nevada, LLC**, Las Vegas, NV (US)

(72) Inventors: **Robert Bradley Oates**, San Diego, CA (US); **Brian Paul Brock**, Reading, PA (US); **Cory James Spivey**, San Diego, CA (US)

(73) Assignee: **Performance Packaging of Nevada, LLC**, Las Vegas, NV (US)

(**) Term: **14 Years**

(21) Appl. No.: **29/435,905**

(22) Filed: **Oct. 30, 2012**

(51) **LOC (10) Cl.** **09-07**

(52) **U.S. Cl.**
USPC **D9/435; D7/398**

(58) **Field of Classification Search**
CPC B22D 4/50; B22D 4/502-4/507; B65D 47/06; A61M 39/10
USPC D23/255-259, 269, 386, 387, 390, 393; D9/707-710, 723, 724, 447, 440, 434; D6/542; D7/510, 398

See application file for complete search history.

(56) **References Cited**

U.S. PATENT DOCUMENTS

3,353,714 A	11/1967	Trecek	
D239,388 S *	3/1976	Larkfeldt et al.	D23/387
D249,647 S *	9/1978	Goodall	D9/447
D264,938 S *	6/1982	Stock	D9/724
D264,941 S *	6/1982	Stock	D9/724
D277,937 S *	3/1985	Fortuna	D9/447
D282,961 S *	3/1986	Ryan	D23/259
D287,872 S *	1/1987	Eriksson	D23/259
4,669,124 A	5/1987	Kimura	
5,137,183 A	8/1992	Mikulec	

D339,503 S *	9/1993	Callaway	D7/510
D356,231 S *	3/1995	Peyton, Jr.	D7/510
D358,530 S *	5/1995	Mehra et al.	D7/510
D368,304 S *	3/1996	Morrison	D23/262
D378,196 S *	2/1997	Daansen	D9/448
D378,718 S *	4/1997	Daansen	D6/542
D385,956 S *	11/1997	Doughty et al.	D23/259
D422,823 S *	4/2000	Daansen	D6/542
D423,933 S *	5/2000	Fritz et al.	D9/447
D428,141 S *	7/2000	Brotspies et al.	D24/114
D438,955 S *	3/2001	Rudzena et al.	D24/121
D464,262 S *	10/2002	Drennow	D9/446
D467,769 S *	12/2002	Riendeau	D9/447
6,675,482 B1	1/2004	Gilbert, Jr.	

(Continued)

FOREIGN PATENT DOCUMENTS

WO	WO 02/22073	3/2002
WO	WO 03/013419	2/2003

Primary Examiner — Susan Bennett Hattan

Assistant Examiner — Brett Miller

(74) *Attorney, Agent, or Firm* — Barnes & Thornburg LLP

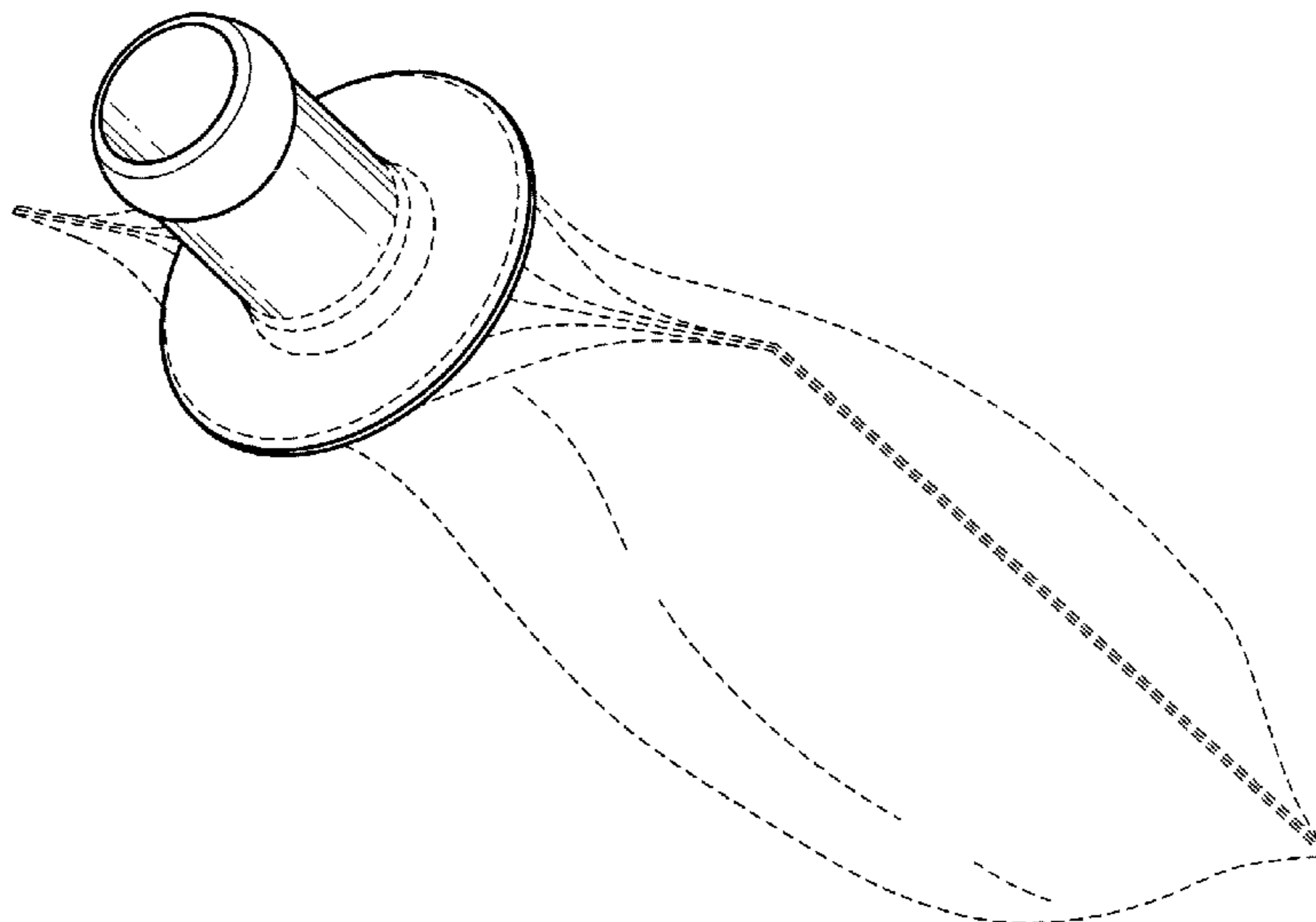
(57) **CLAIM**

The ornamental design for a flexible oral dispensing apparatus, as shown and described.

DESCRIPTION

FIG. 1 is a front view of one embodiment of a flexible oral dispensing apparatus configured in accordance with the present invention, the rear view being a mirror image thereof; FIG. 2 is a right side view thereof, the left side view being a mirror image of the front view; FIG. 3 is a top view thereof; FIG. 4 is a bottom view thereof; FIG. 5 is a top perspective view thereof; and, FIG. 6 is a bottom perspective view thereof. The broken lines illustrate portions of the flexible oral dispensing apparatus which form no part of the claimed design.

1 Claim, 4 Drawing Sheets



(56)

References Cited

U.S. PATENT DOCUMENTS

D529,799 S * 10/2006 Jensen D9/447
D531,900 S * 11/2006 Mavin et al. D9/447
D565,877 S * 4/2008 Chen D6/542
7,374,046 B1 5/2008 O'Brien
D591,108 S * 4/2009 Pesach et al. D7/510
D629,250 S 12/2010 Finell
D637,490 S * 5/2011 McKinney et al. D9/447
7,959,045 B2 6/2011 Kuge

D642,436 S * 8/2011 Schofield et al. D7/510
8,083,102 B2 12/2011 Murray
D655,796 S * 3/2012 DeWitt et al. D23/269
D656,820 S * 4/2012 Willows et al. D9/447
D672,210 S 12/2012 Rockwell
D690,336 S * 9/2013 Gjertsen D15/144
D692,319 S * 10/2013 Moreau D9/724
2009/0230633 A1 * 9/2009 Willemstyn et al. 277/625
2011/0178496 A1 * 7/2011 Grant 604/500
2012/0284991 A1 * 11/2012 Kusz et al. 29/428

* cited by examiner

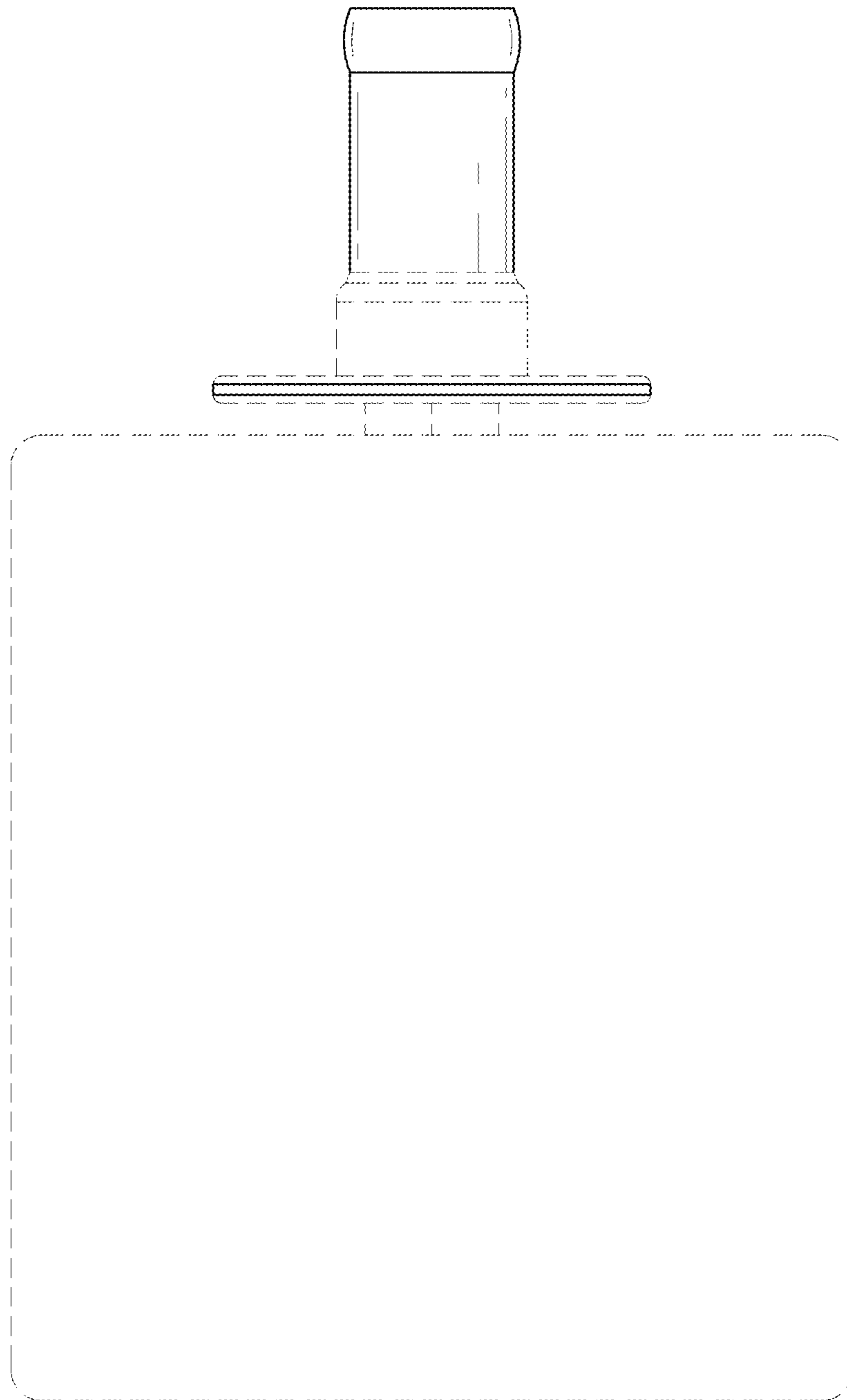


FIG. 1

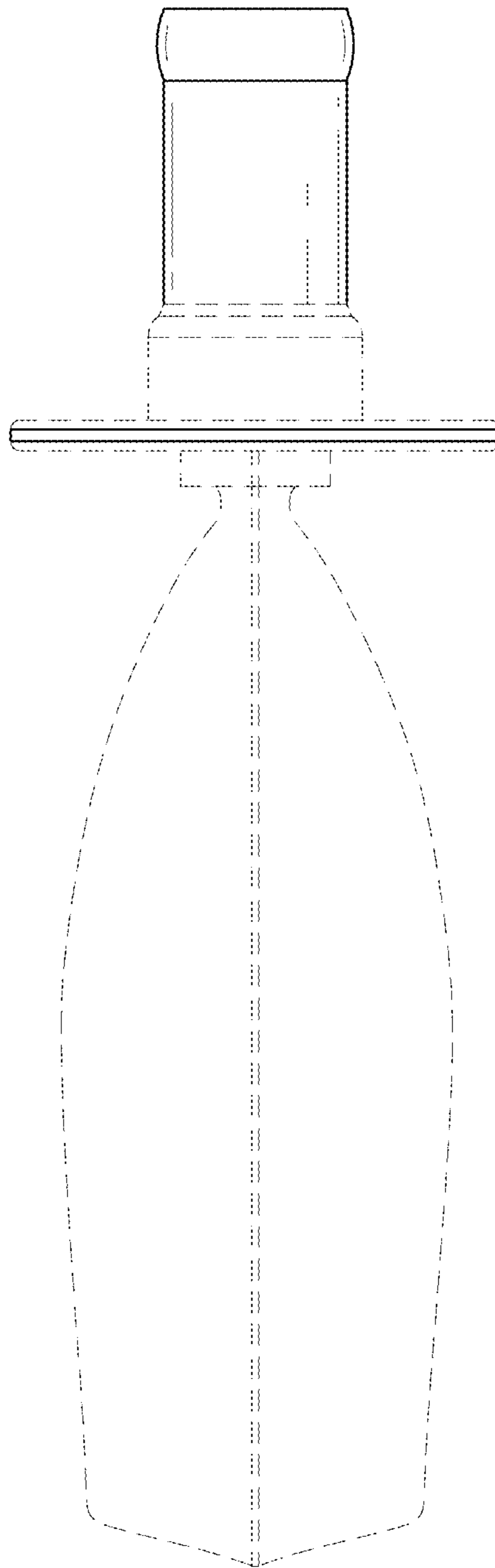


FIG. 2

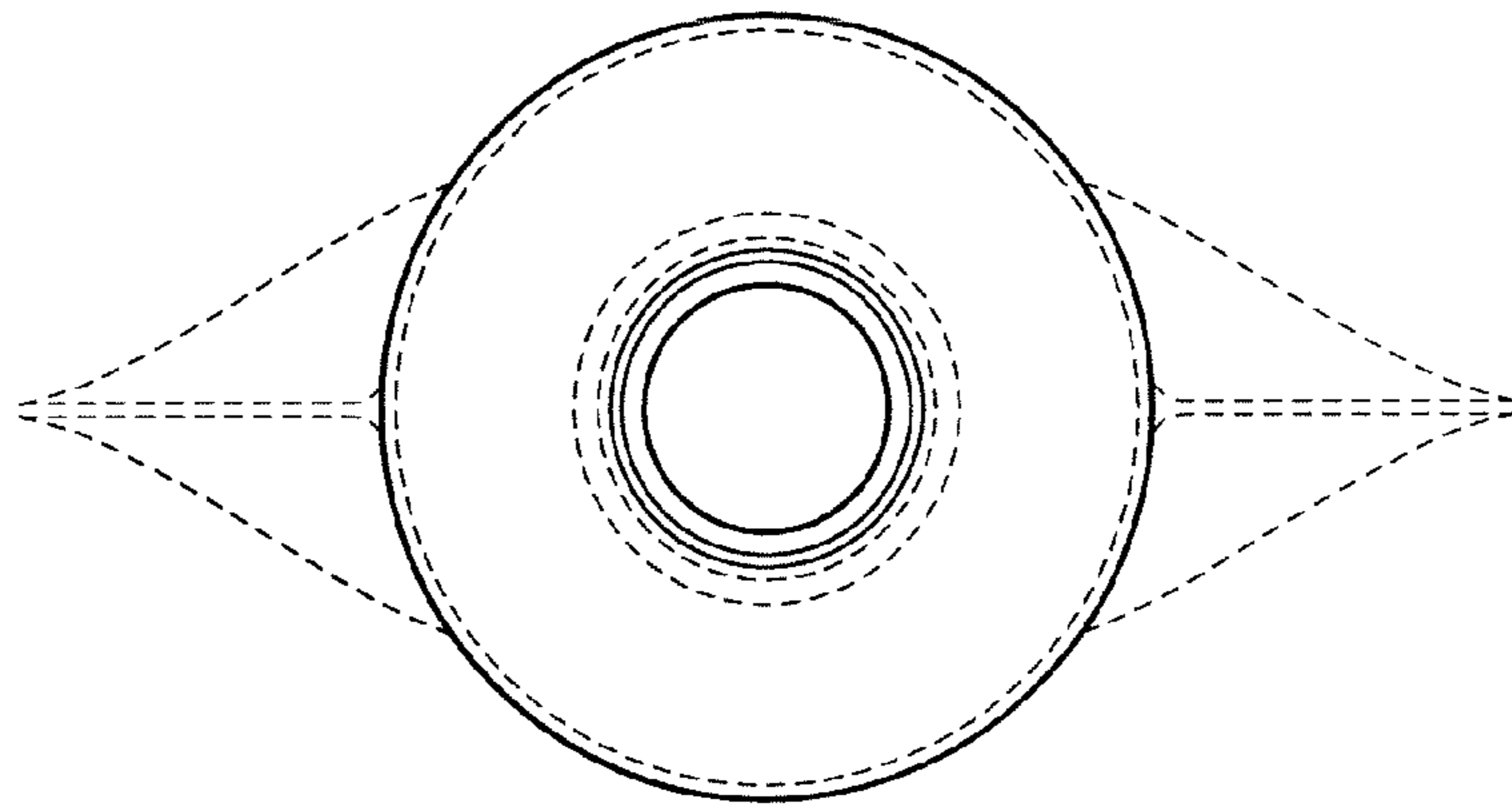


FIG. 3

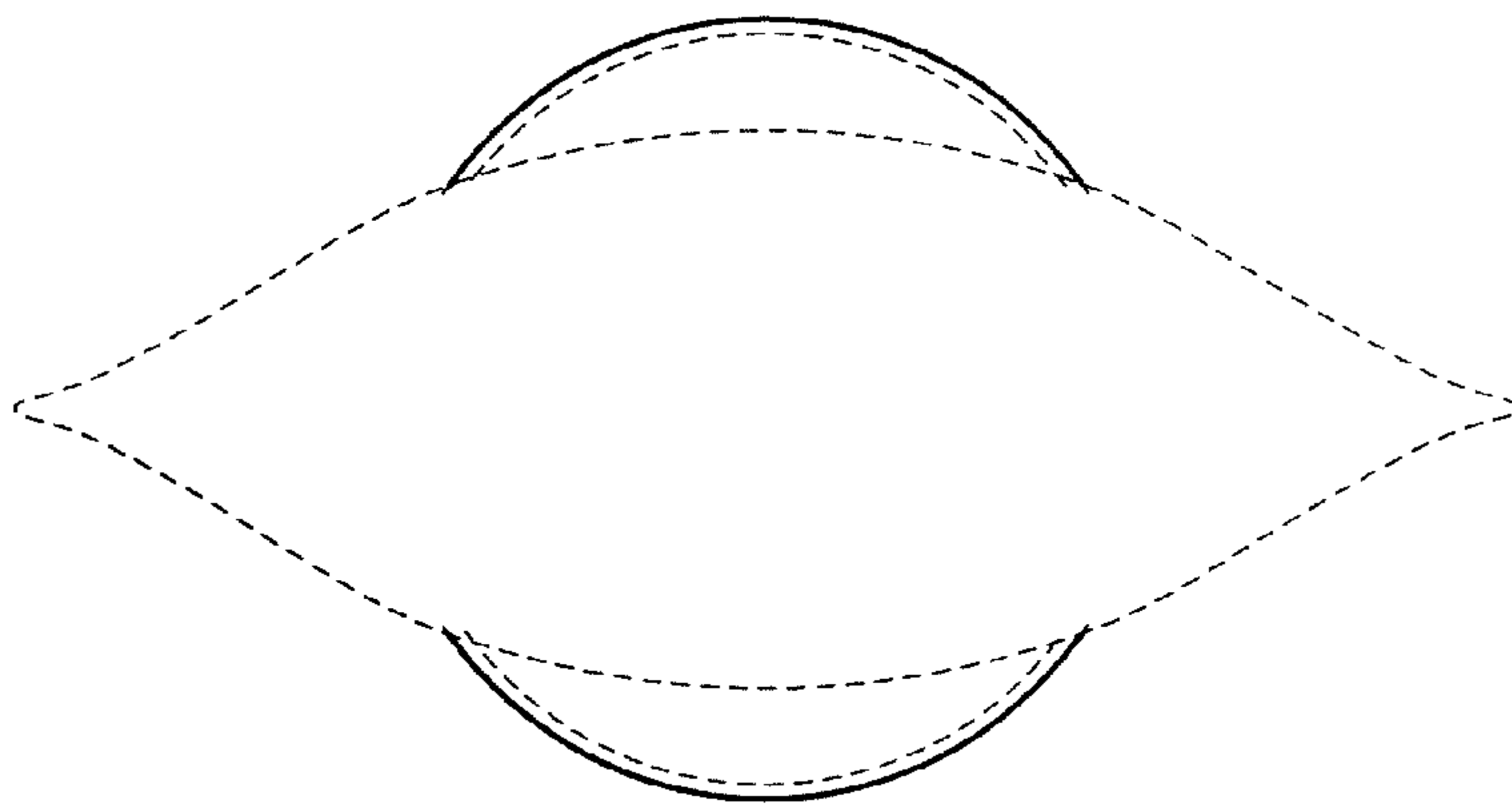


FIG. 4

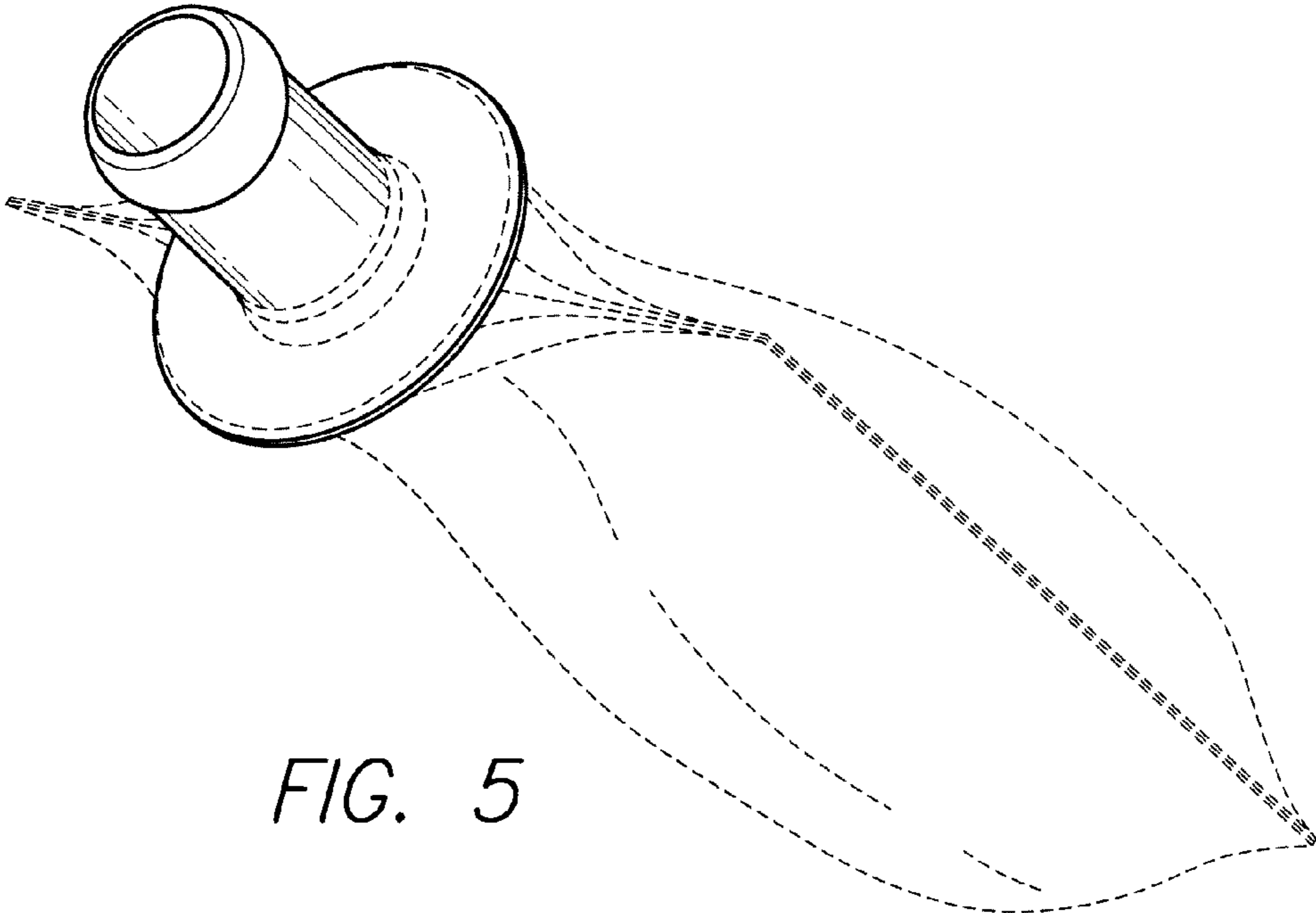


FIG. 5

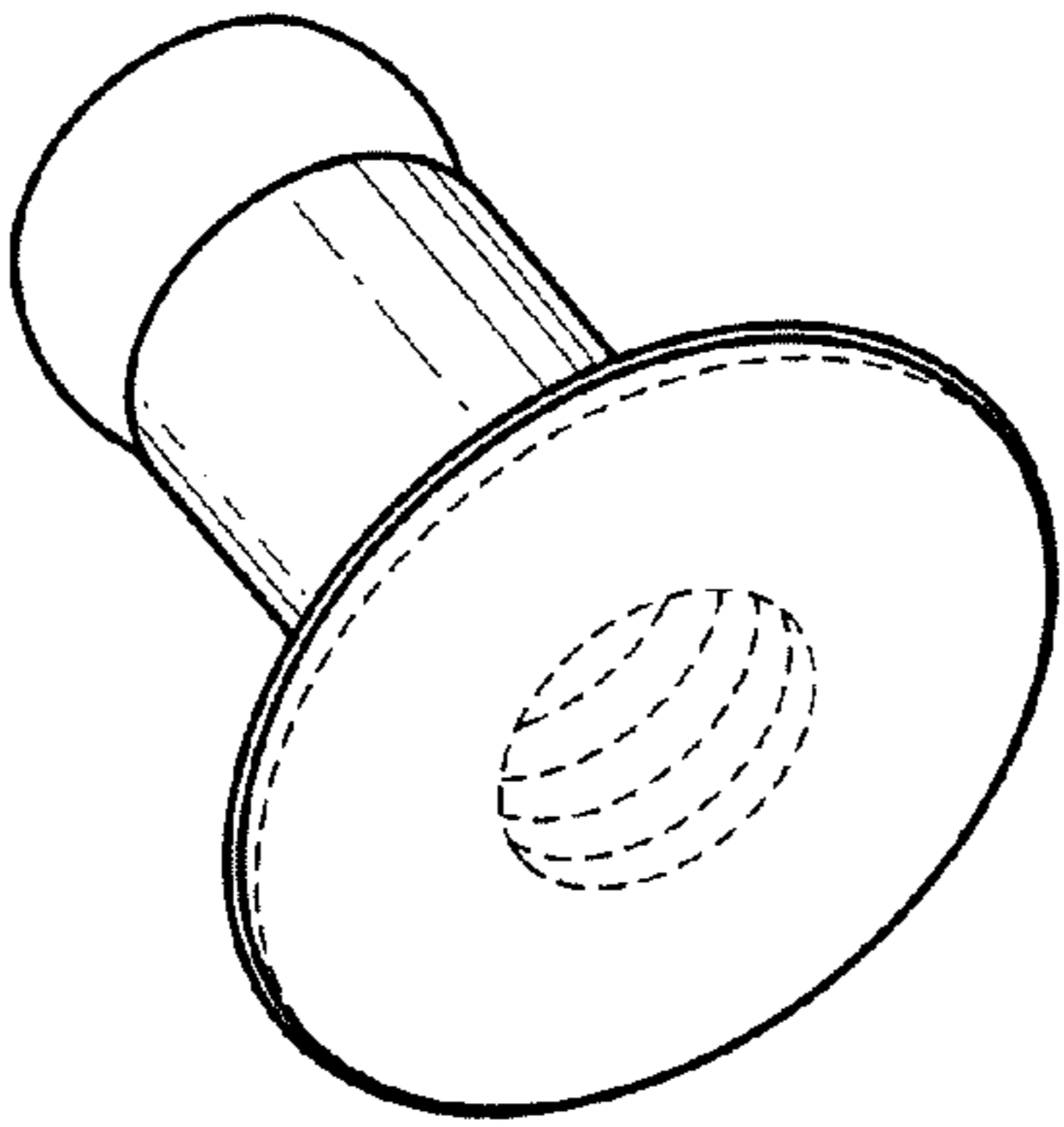


FIG. 6