



US00D720216S

(12) **United States Design Patent**
Luburic et al.

(10) **Patent No.:** **US D720,216 S**

(45) **Date of Patent:** **** Dec. 30, 2014**

(54) **CONTAINER HANDLE**

(71) Applicant: **Ropak Corporation**, Fountain Valley, CA (US)

(72) Inventors: **Frano Luburic**, Anaheim Hills, CA (US); **Josef Bingisser**, Costa Mesa, CA (US)

(73) Assignee: **Ropak Corporation**, Atlanta, GA (US)

(**) Term: **14 Years**

(21) Appl. No.: **29/469,789**

(22) Filed: **Oct. 15, 2013**

Related U.S. Application Data

(63) Continuation of application No. 12/900,157, filed on Oct. 7, 2010, now abandoned.

(51) **LOC (10) Cl.** **09-07**

(52) **U.S. Cl.**
USPC **D9/434**

(58) **Field of Classification Search**
CPC B65D 25/32
USPC D9/532, 704, 434, 499; D32/53;
16/408, 409, 425, 430, 431; 220/754
See application file for complete search history.

(56) **References Cited**

U.S. PATENT DOCUMENTS

308,343	A	11/1884	Cary	
3,321,798	A	5/1967	Plamondon	
3,800,361	A *	4/1974	Stauffer	16/411
D239,120	S	3/1976	Heyer et al.	
5,060,998	A *	10/1991	Phillips	294/146
5,344,041	A	9/1994	Luburic et al.	
D362,181	S *	9/1995	Meyers et al.	D9/434

(Continued)

Primary Examiner — Robert M Spear

(74) *Attorney, Agent, or Firm* — Morris, Manning & Martin, LLP; Daniel E. Sineway, Esq.

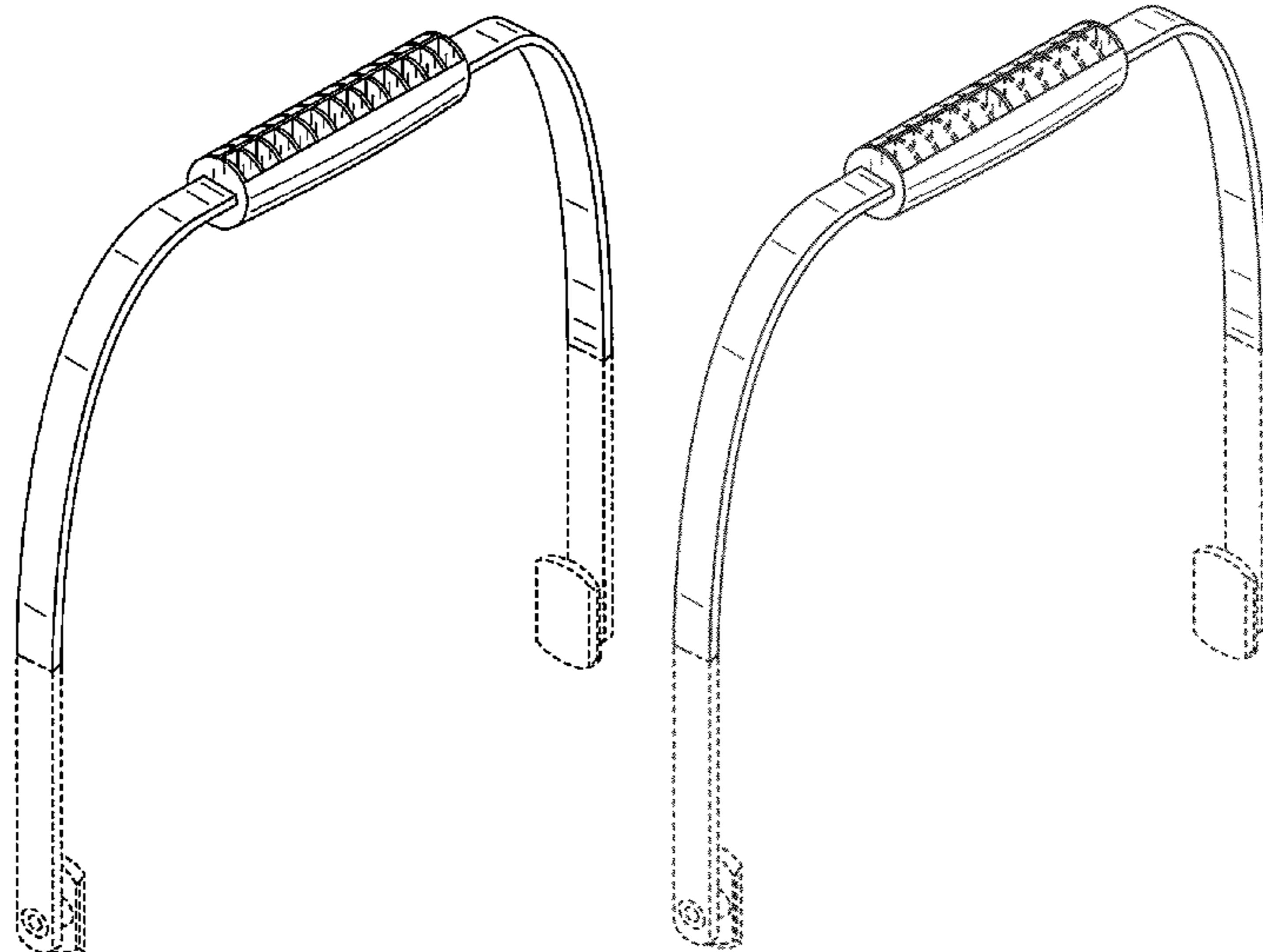
(57) **CLAIM**

We claim the ornamental design for a container handle, as shown and described.

DESCRIPTION

FIG. 1 is a perspective view of a container handle.
 FIG. 2 is a front plan view of the container handle shown in FIG. 1.
 FIG. 3 is a rear plan view of the container handle shown in FIG. 1.
 FIG. 4 is a left plan view of the container handle shown in FIG. 1.
 FIG. 5 is a right plan view of the container handle shown in FIG. 1.
 FIG. 6 is a top plan view of the container handle shown in FIG. 1.
 FIG. 7 is a bottom plan view of the container handle shown in FIG. 1.
 FIG. 8 is a perspective view of the container handle shown in FIG. 1 in combination with a container.
 FIG. 9 is another perspective view of the container handle shown in FIG. 1 in combination with a container.
 FIG. 10 is a perspective view of a second embodiment of a container handle showing my new design, all other views thereof being substantially the same as FIGS. 2-8, except that ten ribs left and right of center within the handle have been removed from the claim; and,
 FIG. 11 is a perspective view of a third embodiment of a container handle showing my new design, all other views thereof being substantially the same as FIGS. 2-8, except that the eight ribs left and right of center have been removed from the claim.
 The broken line partially showing a handle in FIGS. 1-11 illustrate the portion of the design that forms no part of the claim.

1 Claim, 9 Drawing Sheets



(56)

References Cited

U.S. PATENT DOCUMENTS

5,457,850	A	10/1995	Knox					
D369,549	S *	5/1996	Meyers et al.	D9/434				
D401,505	S *	11/1998	Michael et al.	D9/434				
6,131,972	A	10/2000	Whitehead et al.					
6,257,440	B1 *	7/2001	Perkins et al.	220/764				
D458,800	S	6/2002	Kotsonis					
6,494,341	B2 *	12/2002	Perkins et al.	220/764				
D544,669	S *	6/2007	Casteel et al.	D32/53				
7,467,730	B2 *	12/2008	Manke et al.	220/760				
					7,549,192	B2	6/2009	Cude
					D652,596	S *	1/2012	Manuel D32/53
					8,490,251	B2 *	7/2013	Manuel 16/444
					8,646,648	B2 *	2/2014	Vogel et al. 220/784
					D705,512	S *	5/2014	Stratton D32/53
					2001/0027980	A1 *	10/2001	Perkins et al. 220/764
					2005/0161462	A1	7/2005	Bergman
					2005/0241114	A1 *	11/2005	Burney 16/445
					2008/0093242	A1	4/2008	Rosendall
					2008/0190930	A1	8/2008	Vogel et al.
					2008/0191930	A1 *	8/2008	Banaszak et al. 342/93
					2011/0210121	A1 *	9/2011	Vogel et al. 220/270

* cited by examiner

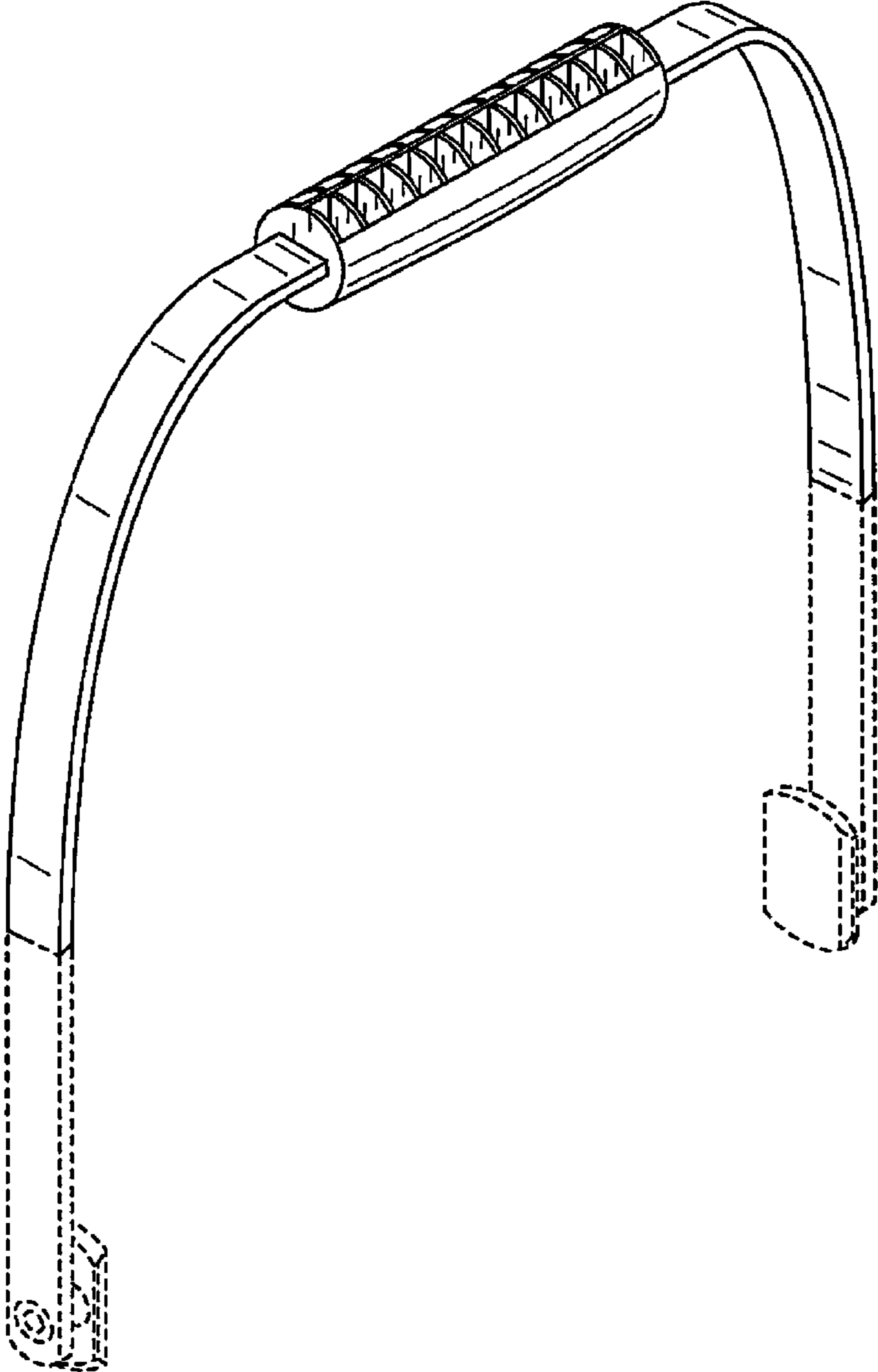


FIG. 1

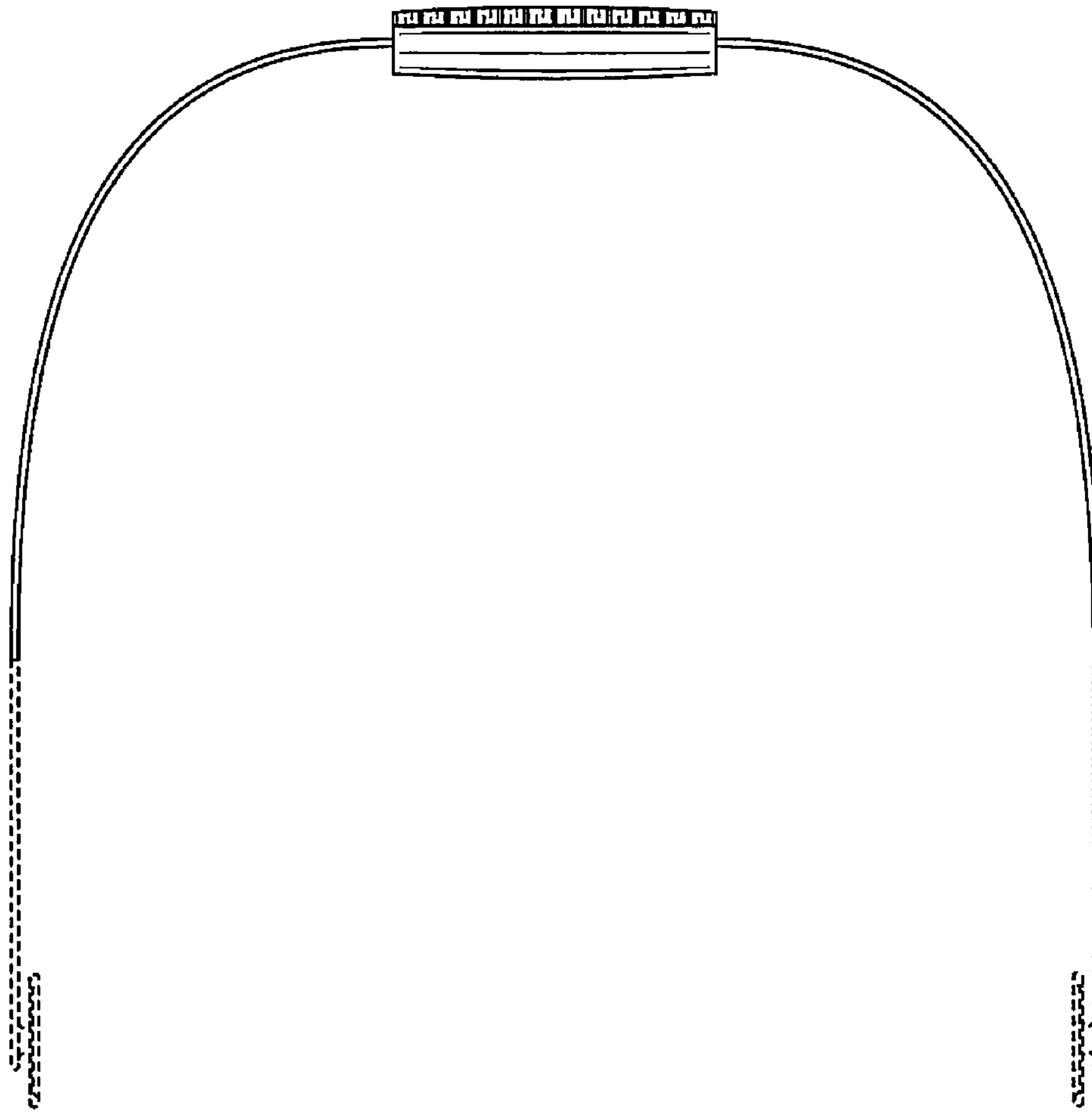


FIG. 2

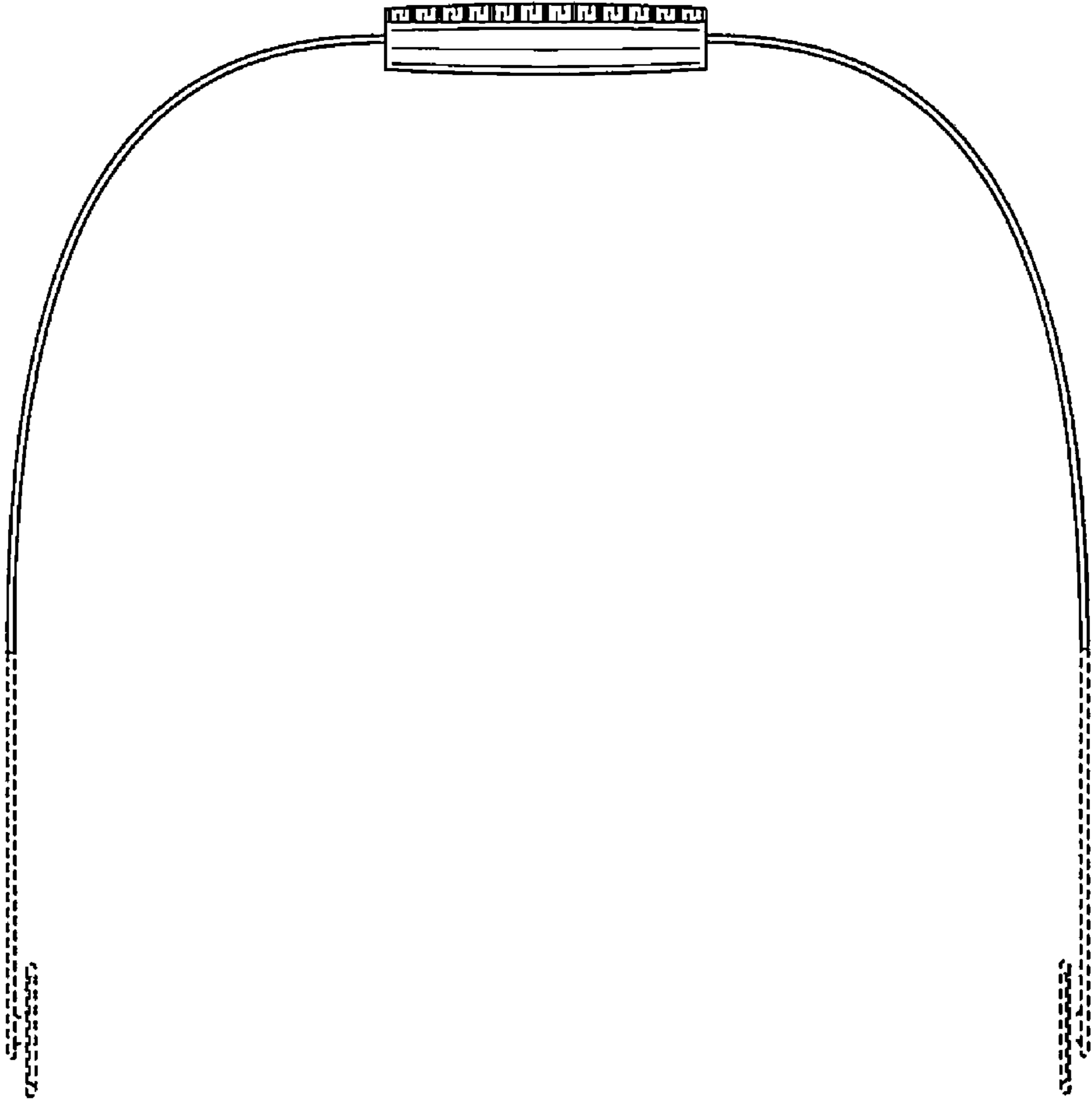


FIG. 3

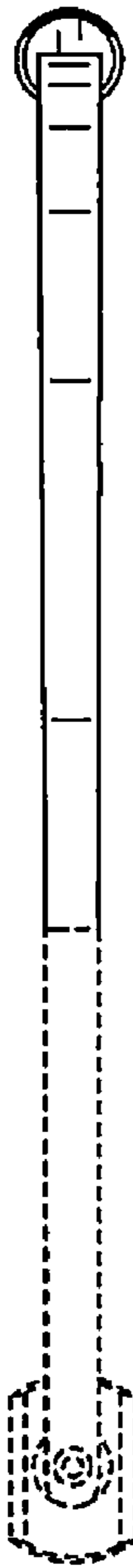


FIG. 4

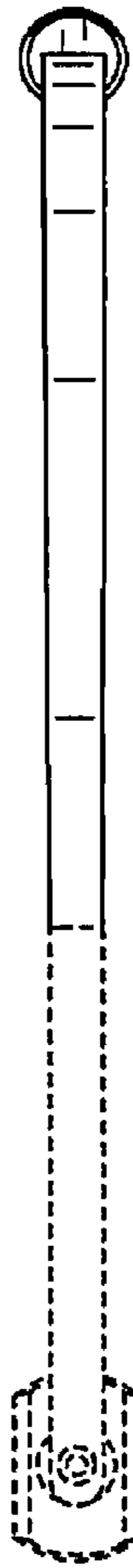


FIG. 5

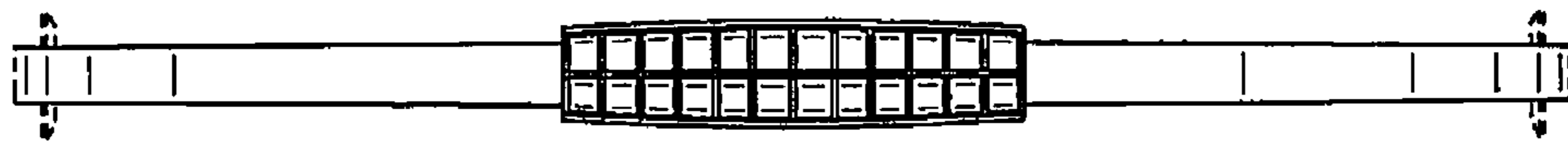


FIG. 6

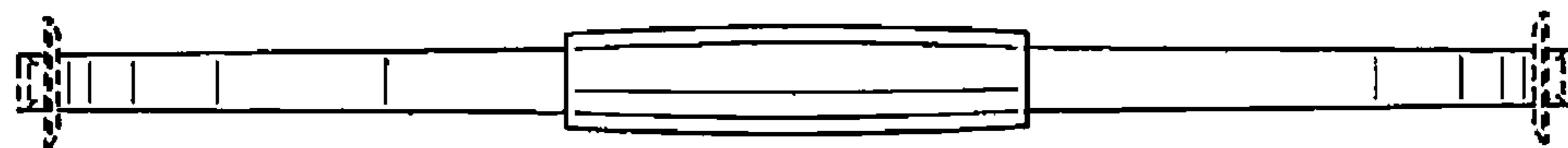


FIG. 7

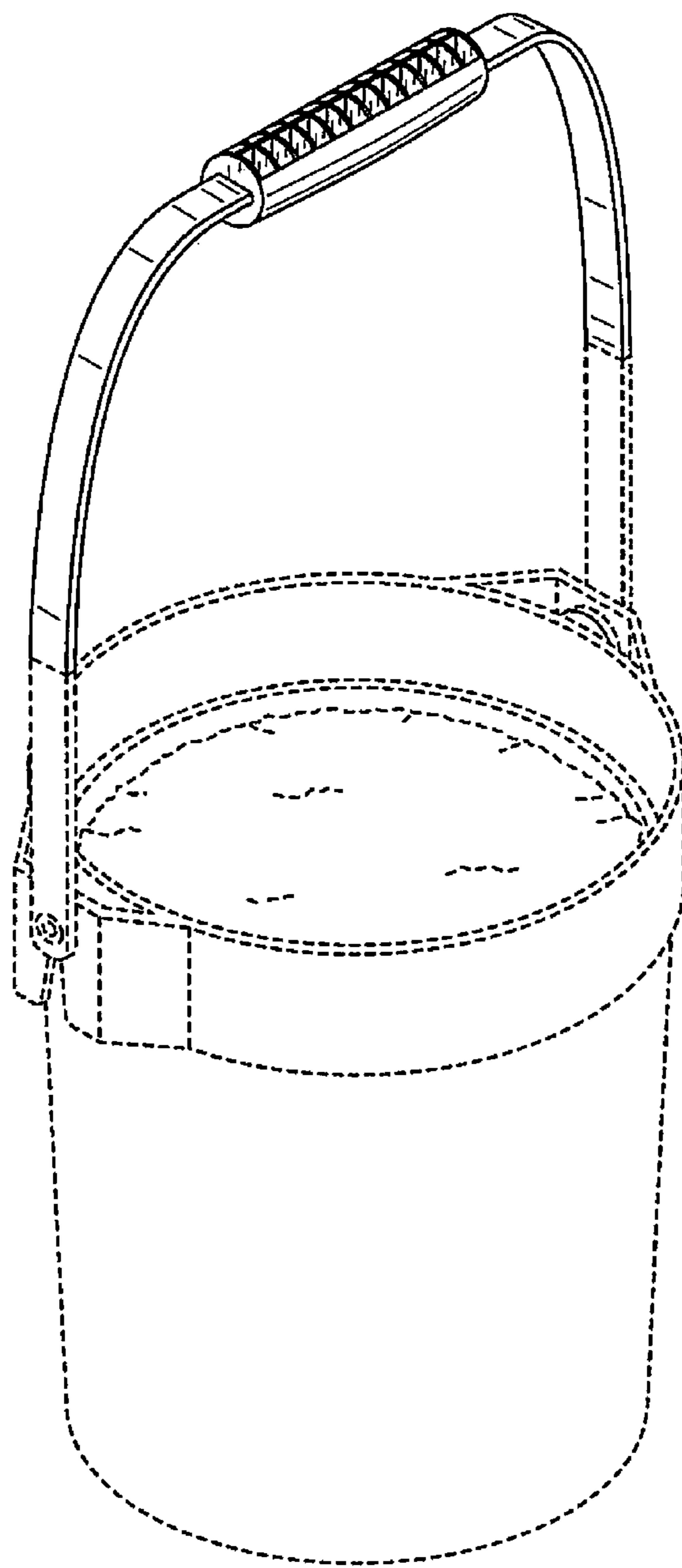


FIG. 8

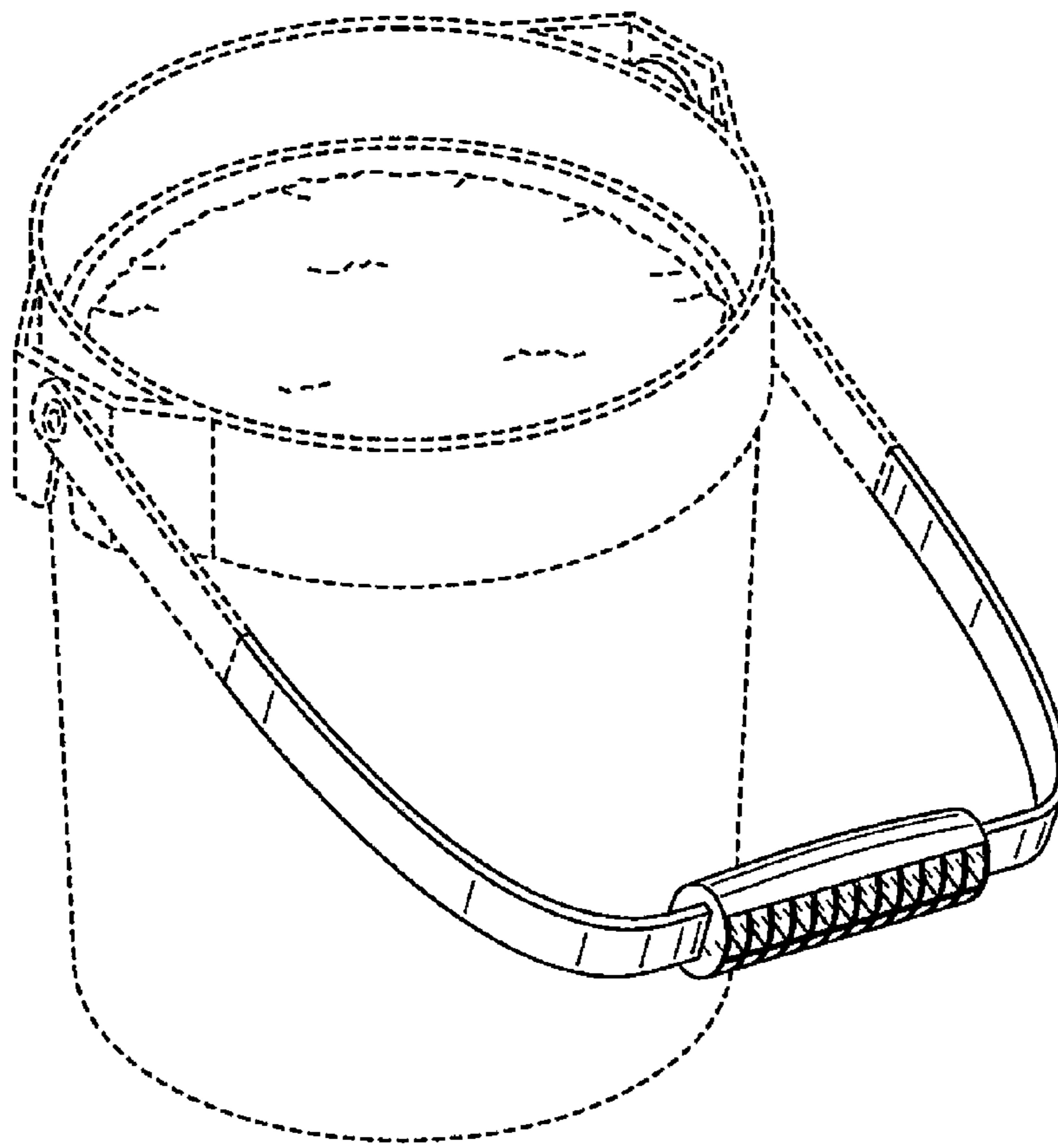


FIG. 9

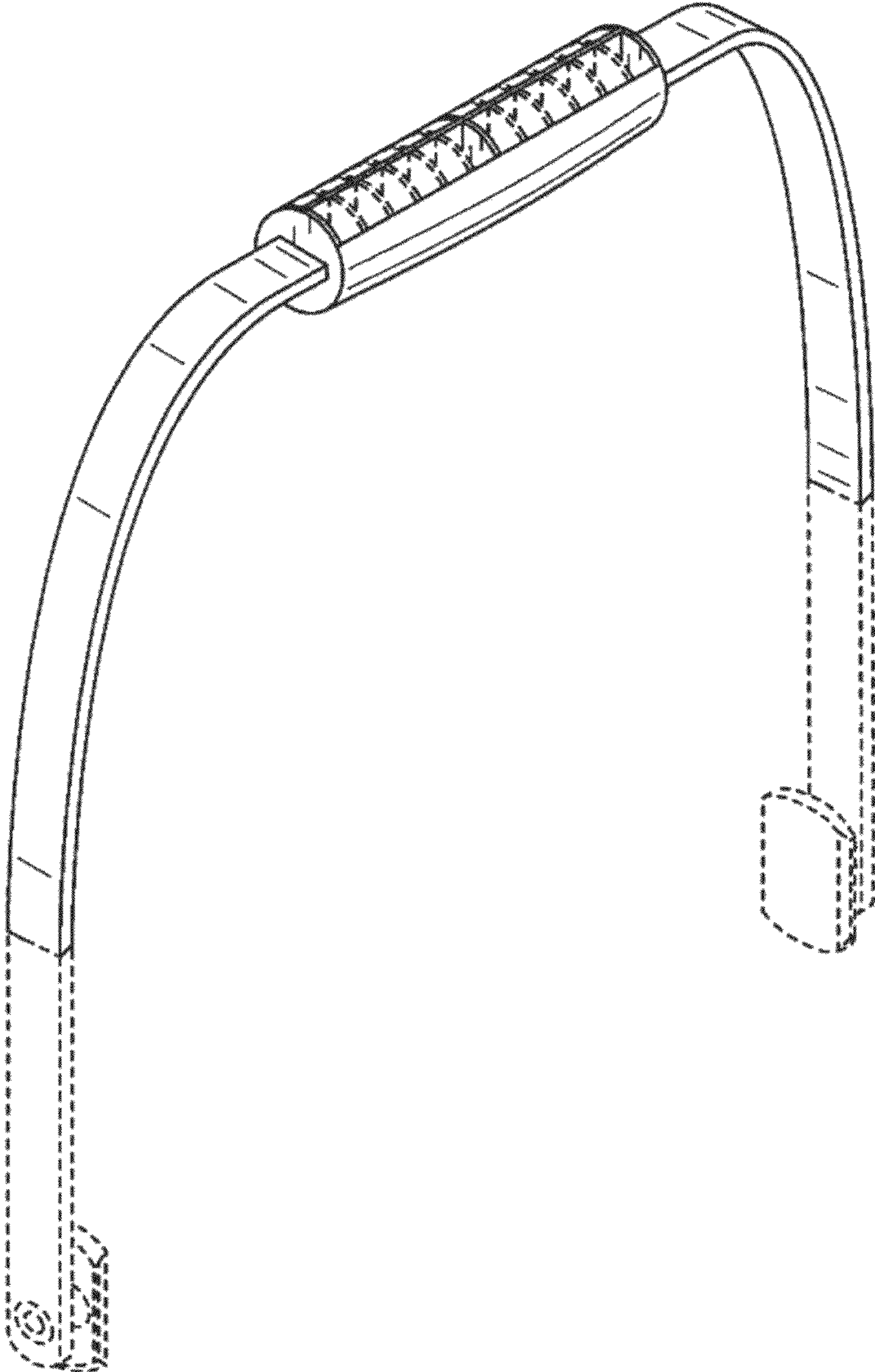


FIG. 10

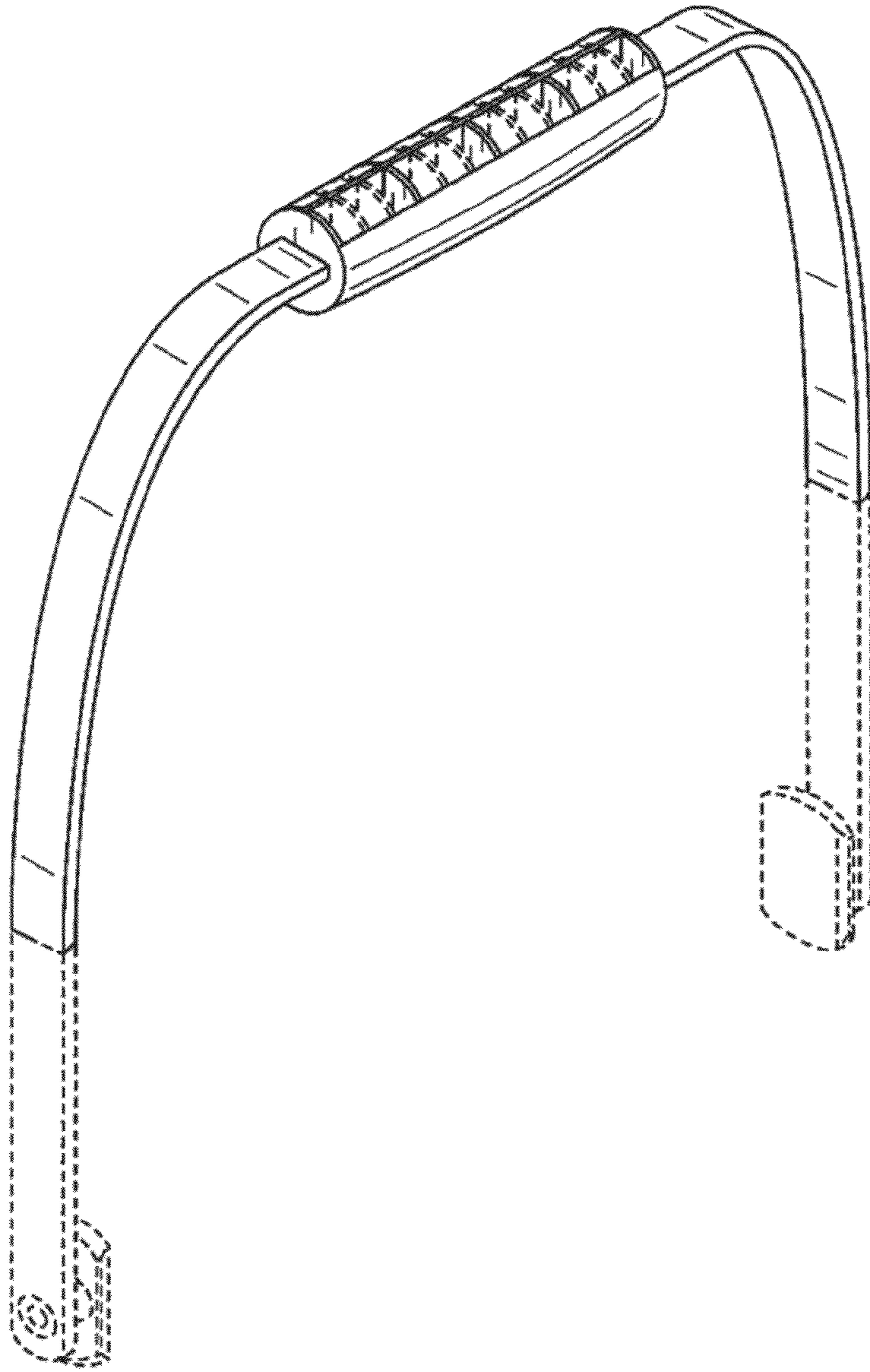


FIG. 11