



US00D720215S

(12) **United States Design Patent**  
**Chua**

(10) **Patent No.:** **US D720,215 S**

(45) **Date of Patent:** **\*\* Dec. 30, 2014**

(54) **CONTAINER SEAL**

(71) Applicant: **Mega Fortris (Malaysia) Sdn. Bhd.**,  
Shah Alam (MY)

(72) Inventor: **Yuen Kam Chua**, Shah Alam (MY)

(73) Assignee: **Mega Fortris (Malaysia) Sdn. Bhd.**,  
Shah Alam (MY)

(\*\*) Term: **14 Years**

(21) Appl. No.: **29/467,068**

(22) Filed: **Sep. 13, 2013**

(30) **Foreign Application Priority Data**

Jun. 19, 2013 (MY) ..... 13-E0091-0101

(51) **LOC (10) Cl.** ..... **09-07**

(52) **U.S. Cl.**  
USPC ..... **D9/434**

(58) **Field of Classification Search**

CPC ..... G08B 13/08; F16B 2/24; E05B 39/02

USPC ..... D9/434, 435, 436, 438, 499;  
D10/106.9, 109.1; 116/200; 292/307 R,  
292/319

See application file for complete search history.

(56) **References Cited**

**U.S. PATENT DOCUMENTS**

7,226,095 B2 \* 6/2007 Huang ..... 292/327

8,279,067 B2 \* 10/2012 Berger et al. .... 340/572.1

2009/0026773 A1 \* 1/2009 Terry et al. .... 292/327

2009/0072554 A1 \* 3/2009 Arguin ..... 292/327

2009/0322510 A1 \* 12/2009 Berger et al. .... 340/539.1

**OTHER PUBLICATIONS**

Shipping Container Seal "DJ-GO32T", aliexpress.com. Found  
online Sep. 9, 2014 at <http://www.aliexpress.com/item/Factory-di->

rect-high-security-seals-container-seal-container-volume-discount/  
1212801063.html.\*

Shipping Container Seal "XHB-011", aliexpress.com. Found online  
Sep. 9, 2014 at: <http://www.aliexpress.com/item/XHB-011-logis-tics-container-barrier-security-seals/542725671.html>.\*

Shipping Container Seal "XHB-013", aliexpress.com. Found online  
Sep. 9, 2014 at: <http://www.aliexpress.com/item/XHB-013-con-tainer-seal/543551344.html>.\*

\* cited by examiner

*Primary Examiner* — Robert M Spear

(74) *Attorney, Agent, or Firm* — Christensen O'Connor  
Johnson Kindness PLLC

(57) **CLAIM**

The ornamental design for a container seal, as shown and  
described.

**DESCRIPTION**

FIG. 1 is a first perspective view of a container seal in accor-  
dance with the present design;

FIG. 2 is a second perspective view of the container seal  
shown in FIG. 1;

FIG. 3 is a third perspective view of the container seal shown  
in FIG. 1;

FIG. 4 is a fourth perspective view of the container seal shown  
in FIG. 1;

FIG. 5 is a left side view of the container seal shown in FIG.  
1;

FIG. 6 is a right side view of the container seal shown in FIG.  
1;

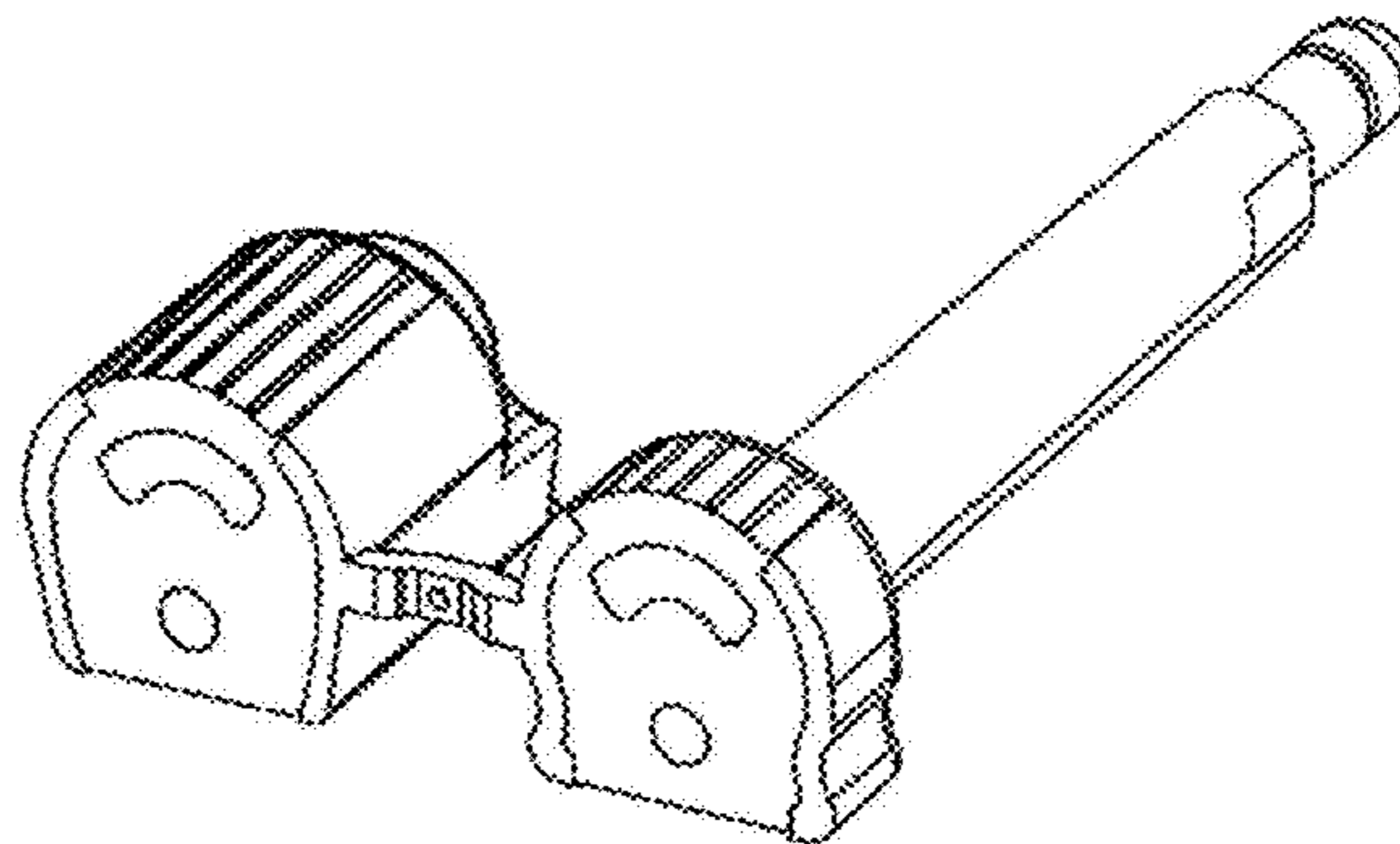
FIG. 7 is a plan view of the container seal shown in FIG. 1;

FIG. 8 is a bottom view of the container seal shown in FIG. 1;

FIG. 9 is a back view of the container seal shown in FIG. 1;  
and,

FIG. 10 is a front view of the container seal shown in FIG. 1.

**1 Claim, 10 Drawing Sheets**



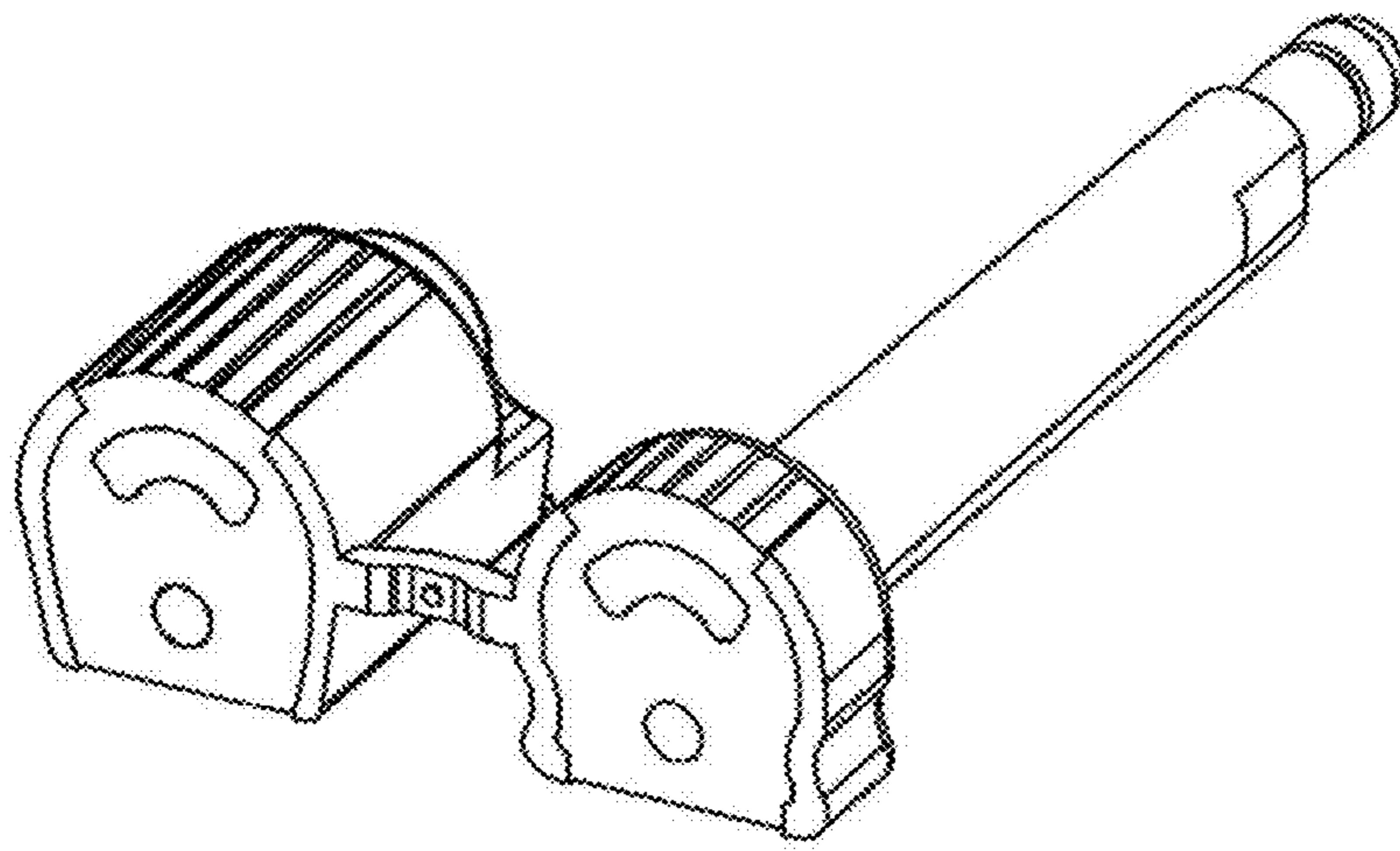


FIG. 1

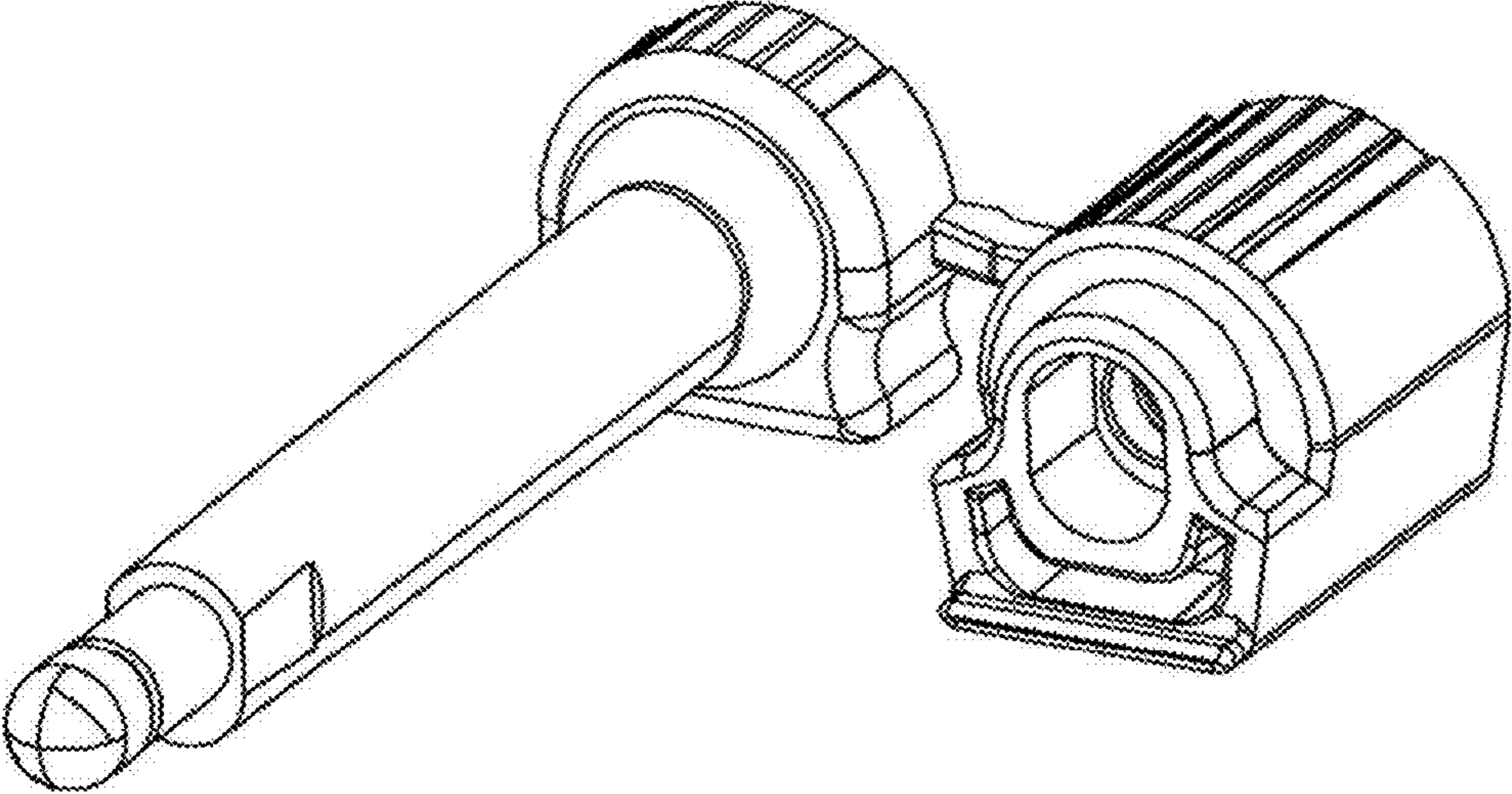


FIG. 2

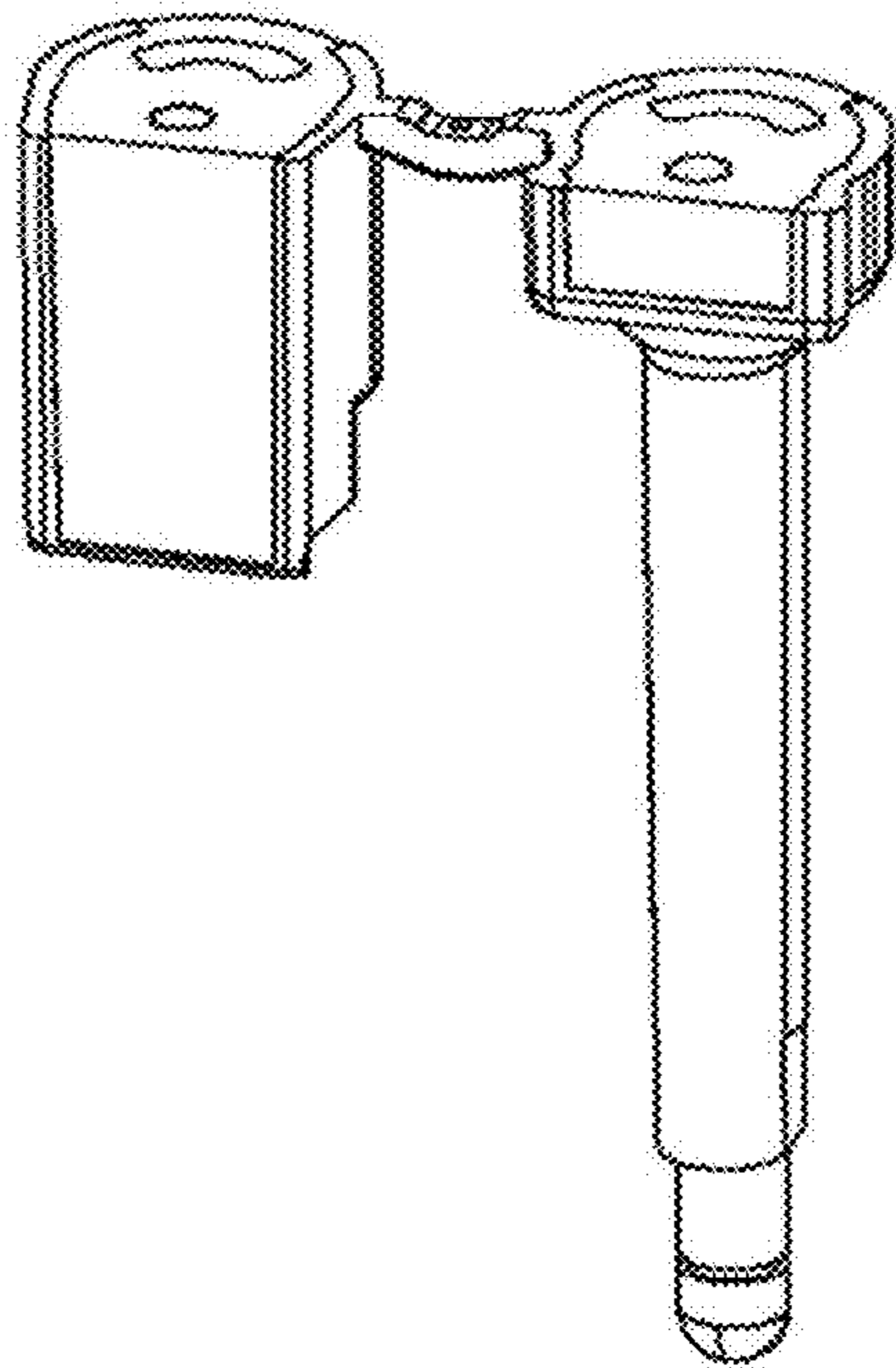


FIG. 3

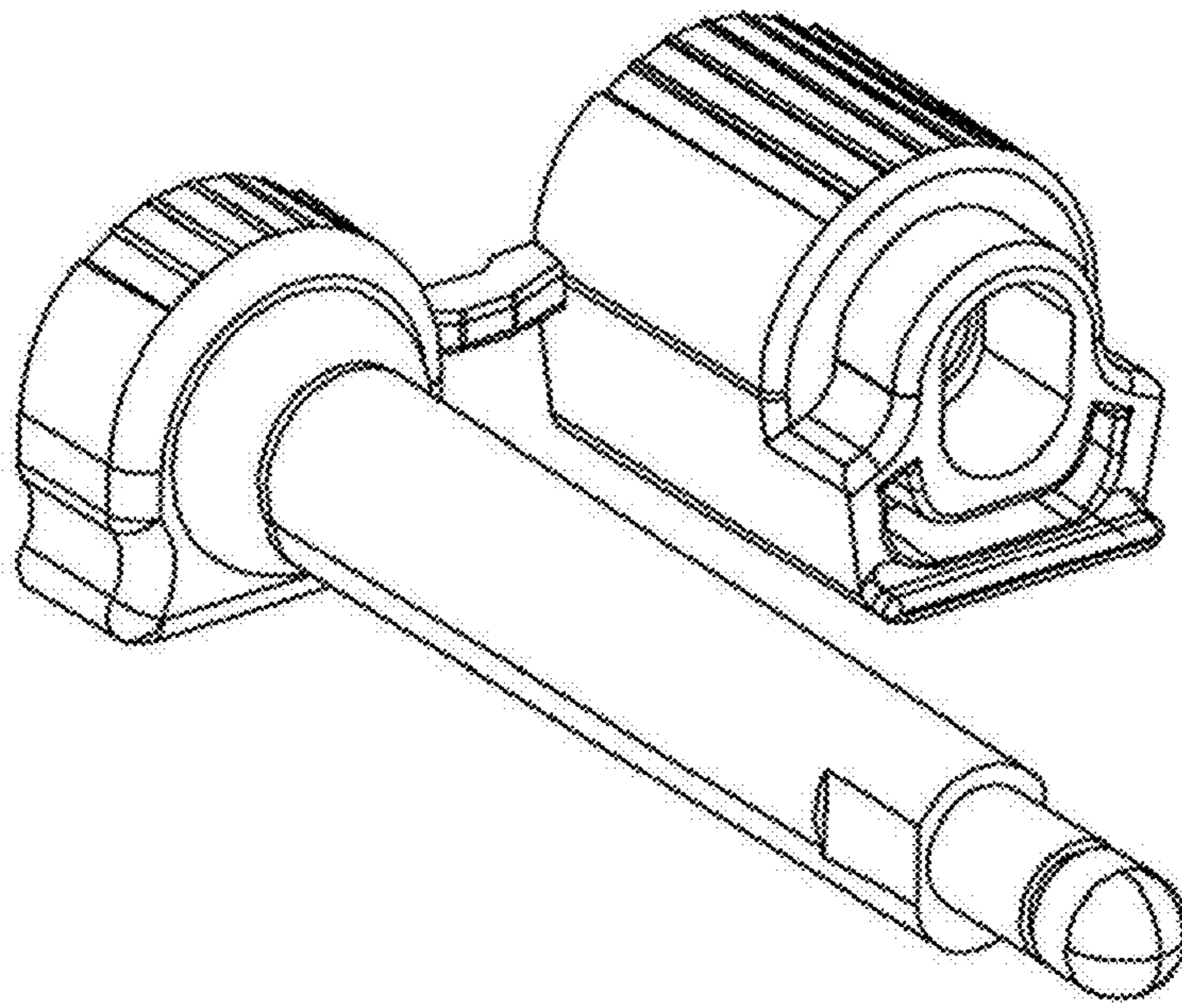


FIG. 4

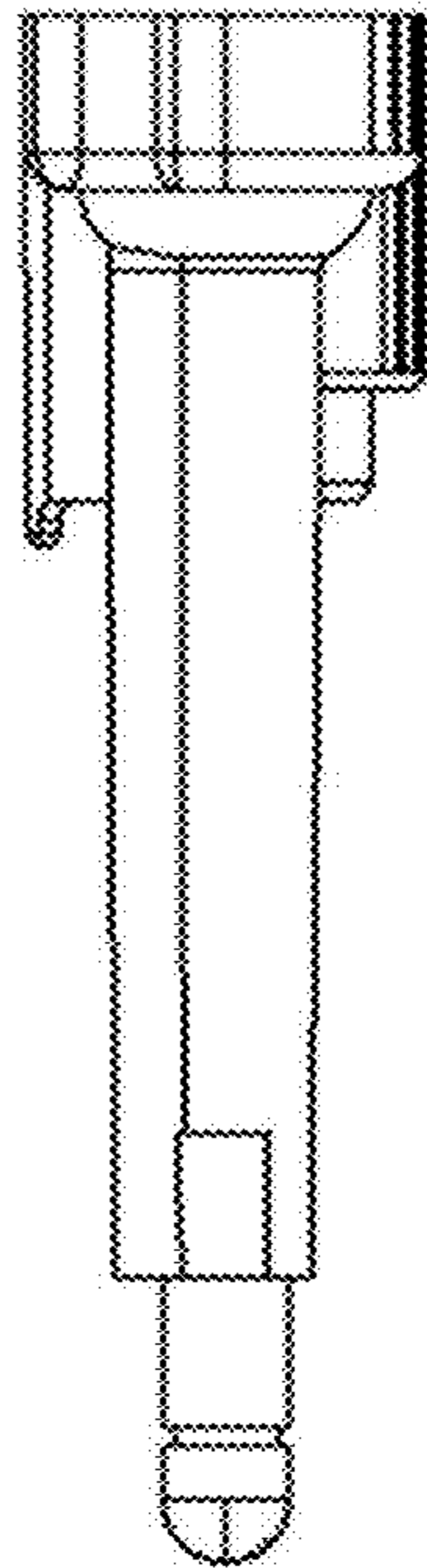


FIG. 5

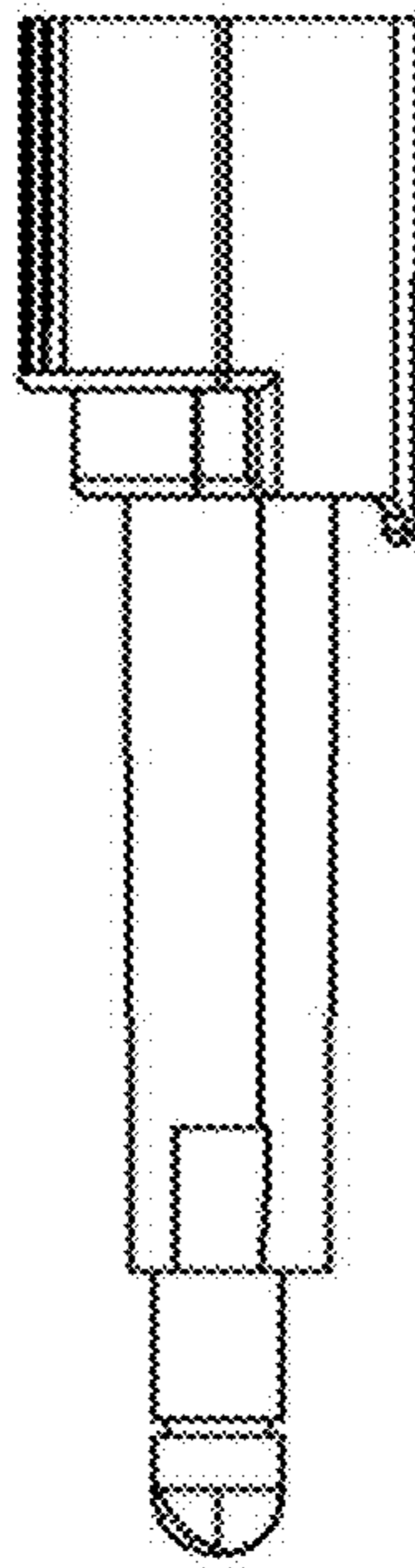


FIG. 6

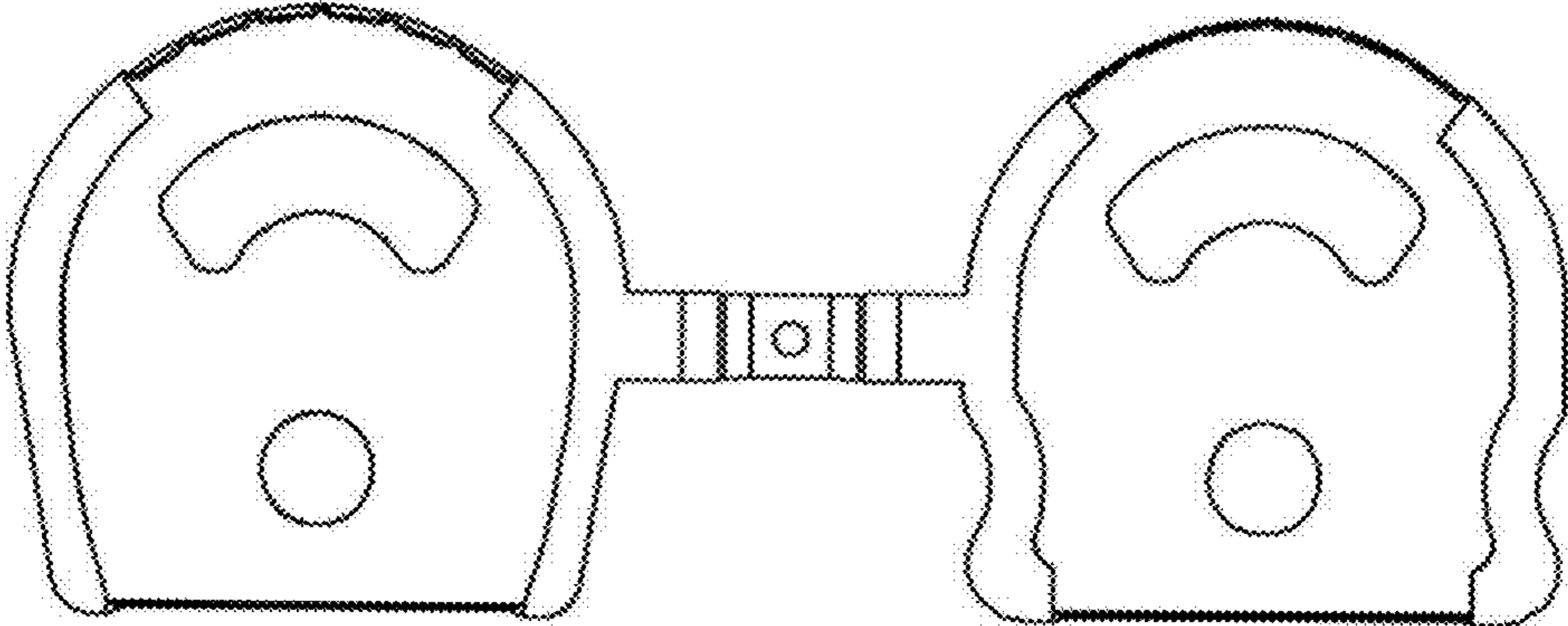


FIG. 7



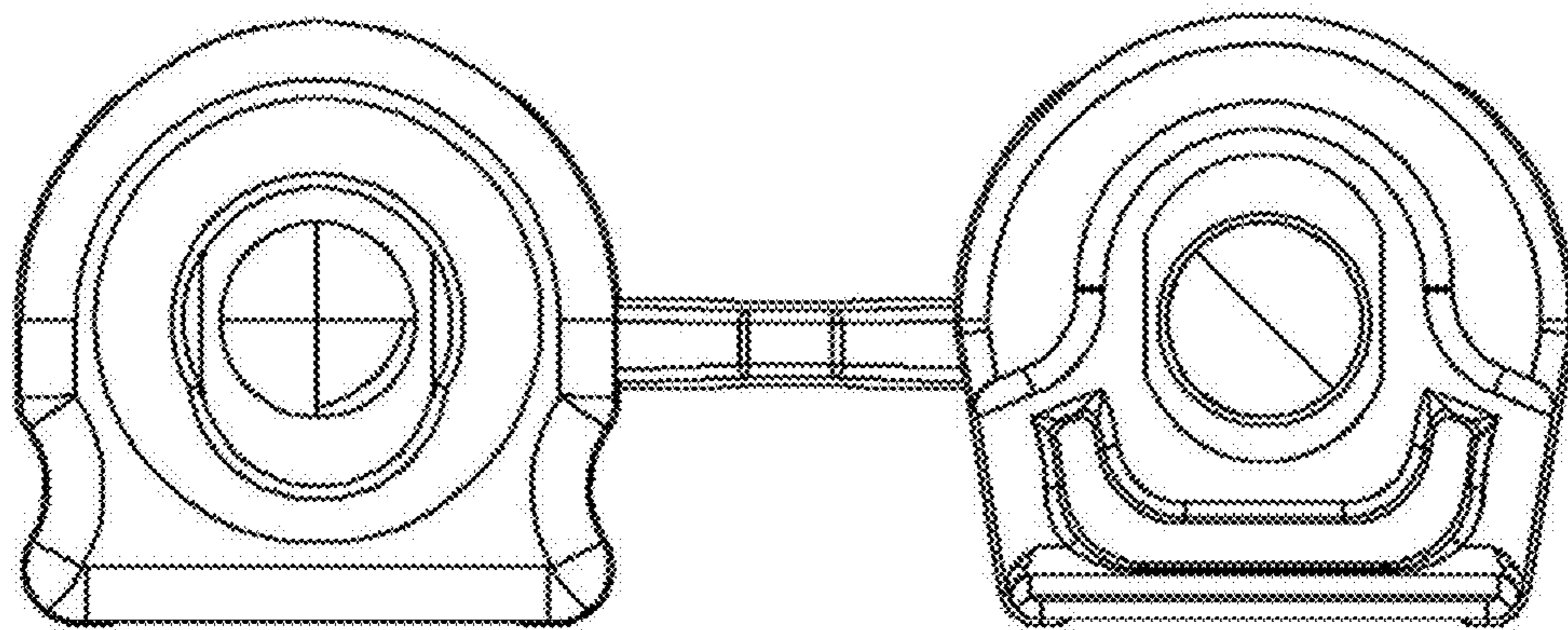


FIG. 8

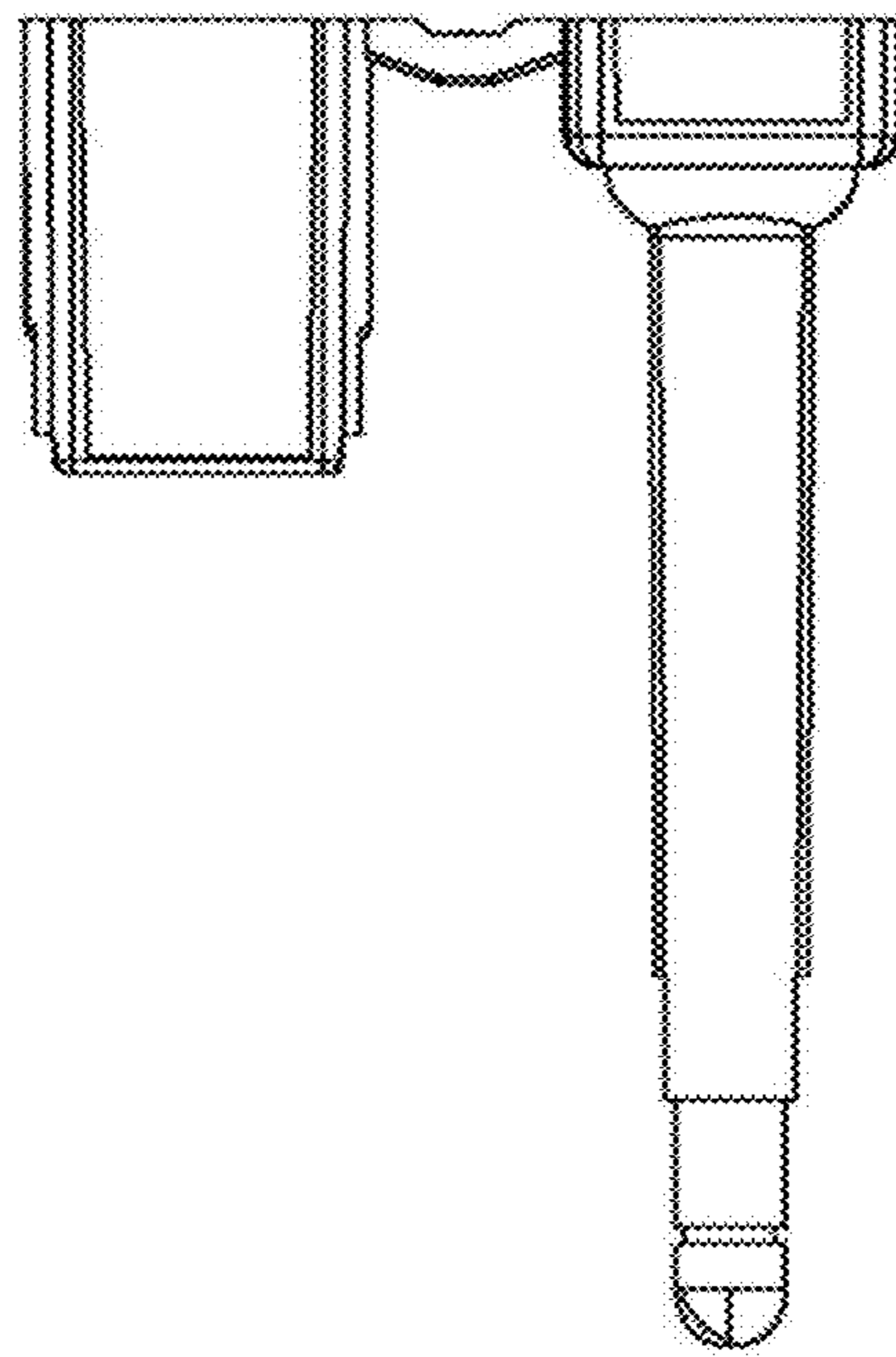


FIG. 9

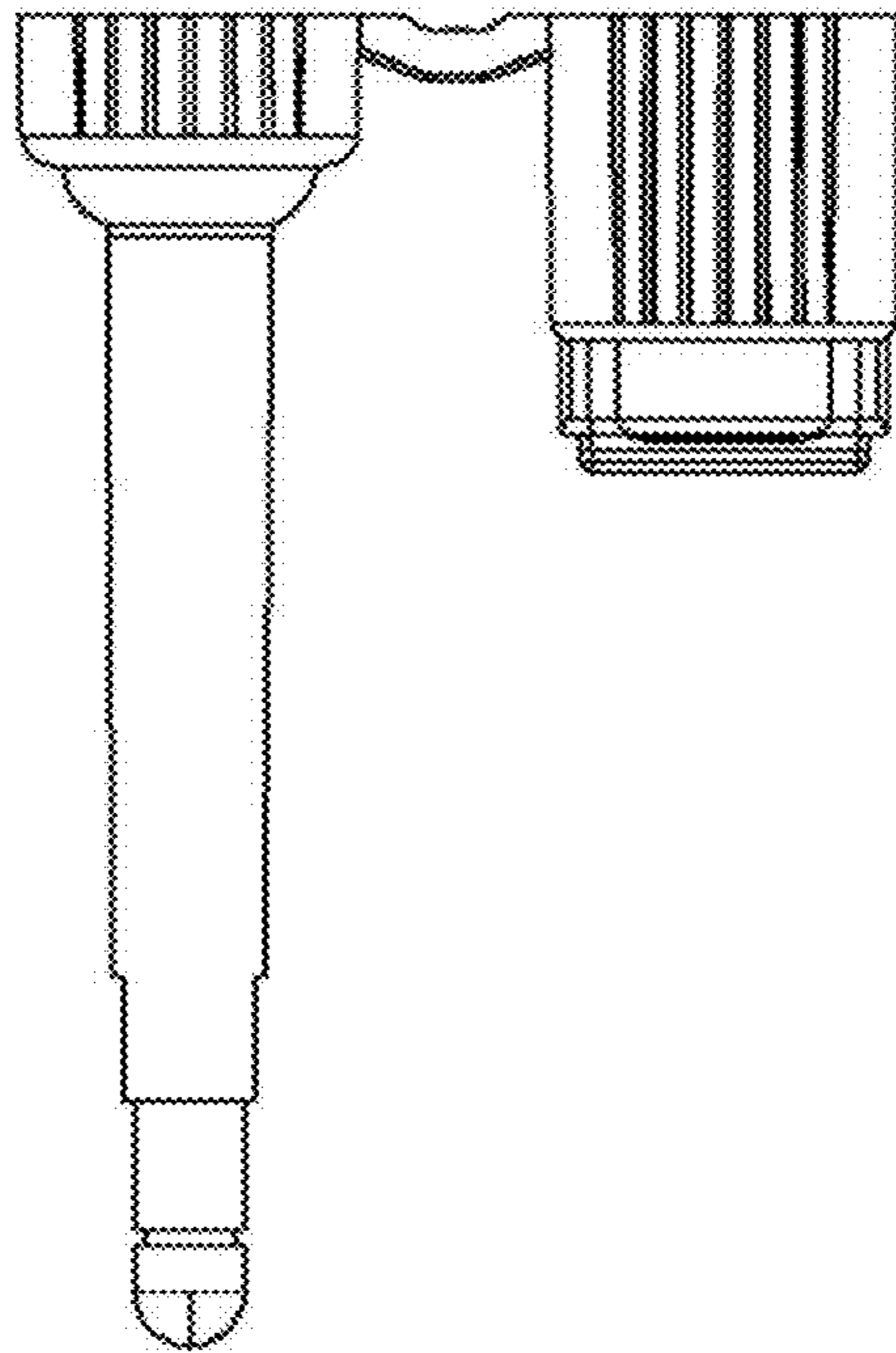


FIG. 10

UNITED STATES PATENT AND TRADEMARK OFFICE  
**CERTIFICATE OF CORRECTION**

PATENT NO. : D720,215 S  
APPLICATION NO. : 29/467068  
DATED : December 30, 2014  
INVENTOR(S) : Y. K. Chua

Page 1 of 1

It is certified that error appears in the above-identified patent and that said Letters Patent is hereby corrected as shown below:

	<u>LINE(S)</u>	<u>ERROR</u>
Title Page		
(73) Pg. 1, col. 1	Assignee	“ <b>Mega Fortis (Malaysia) Sdn. Bhd.,</b> ” should read -- <b>Mega Fortris (Malaysia) Sdn. Bhd.,</b> --
Description Pg. 1, col. 2	16-17	“; and,” should read --; and--

Signed and Sealed this  
Ninth Day of June, 2015



Michelle K. Lee  
Director of the United States Patent and Trademark Office