



US00D720210S

(12) **United States Design Patent**
Mayer et al.

(10) **Patent No.:** **US D720,210 S**

(45) **Date of Patent:** **** Dec. 30, 2014**

(54) **COMBINED GAME COIN AND PACKAGE**

(56) **References Cited**

(71) Applicant: **American Greetings Corporation,**
Cleveland, OH (US)

U.S. PATENT DOCUMENTS

(72) Inventors: **David Mayer,** Bay Village, OH (US);
Lynne Shlonsky, Shaker Heights, OH
(US); **Toby Seadler,** Bay Village, OH
(US); **Erin Dennis,** Cleveland, OH (US)

D435,066	S	*	12/2000	Hirschman	D19/52
D569,575	S	*	5/2008	Yalinkaya	D99/34
D570,075	S	*	5/2008	Wood et al.	D99/34
D637,073	S	*	5/2011	Morcos	D9/415
D682,711	S	*	5/2013	Rider et al.	D9/715

(73) Assignee: **American Greetings Corporation,**
Cleveland, OH (US)

* cited by examiner

(**) Term: **14 Years**

Primary Examiner — Ian Simmons

Assistant Examiner — Rhea Shields

(74) *Attorney, Agent, or Firm* — Christine Flanagan

(21) Appl. No.: **29/466,296**

(57) **CLAIM**

The ornamental designs for a combined game coin and pack-
age, as shown and described.

(22) Filed: **Sep. 6, 2013**

DESCRIPTION

(51) **LOC (10) Cl.** **09-03**

FIG. 1 is a perspective view of the combined game coin and
package of the present invention.

(52) **U.S. Cl.** **D9/415**

FIG. 2 is a front view of the combined game coin and package
of FIG. 1.

(58) **Field of Classification Search**

USPC D9/414, 415, 418, 433, 722, 457, 456,
D9/499, 715; 206/461, 463, 476, 489, 704,
206/449; D19/52; D99/34; D20/10, 11, 40,
D20/99, 42, 22, 27; 40/124.01, 124.06, 630,
40/642.01, 642.02, 594; 283/72, 103, 107,
283/62

FIG. 3 is a rear view of the combined game coin and package
of FIG. 1.

FIG. 4 is a right side view of the combined game coin and
package of FIG. 1, the left side view being identical thereto.

FIG. 5 is a top view of the combined game coin and package
of FIG. 1.

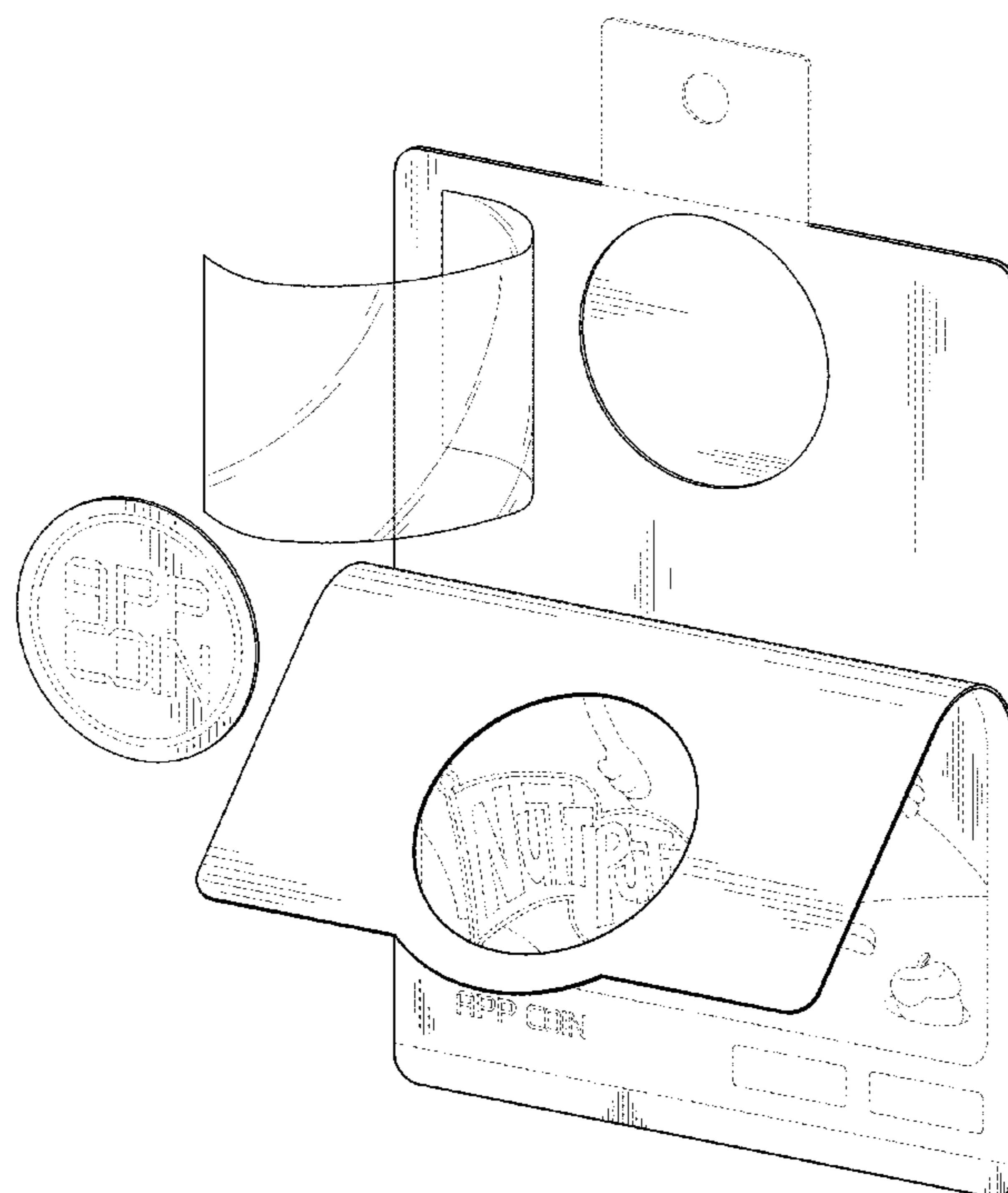
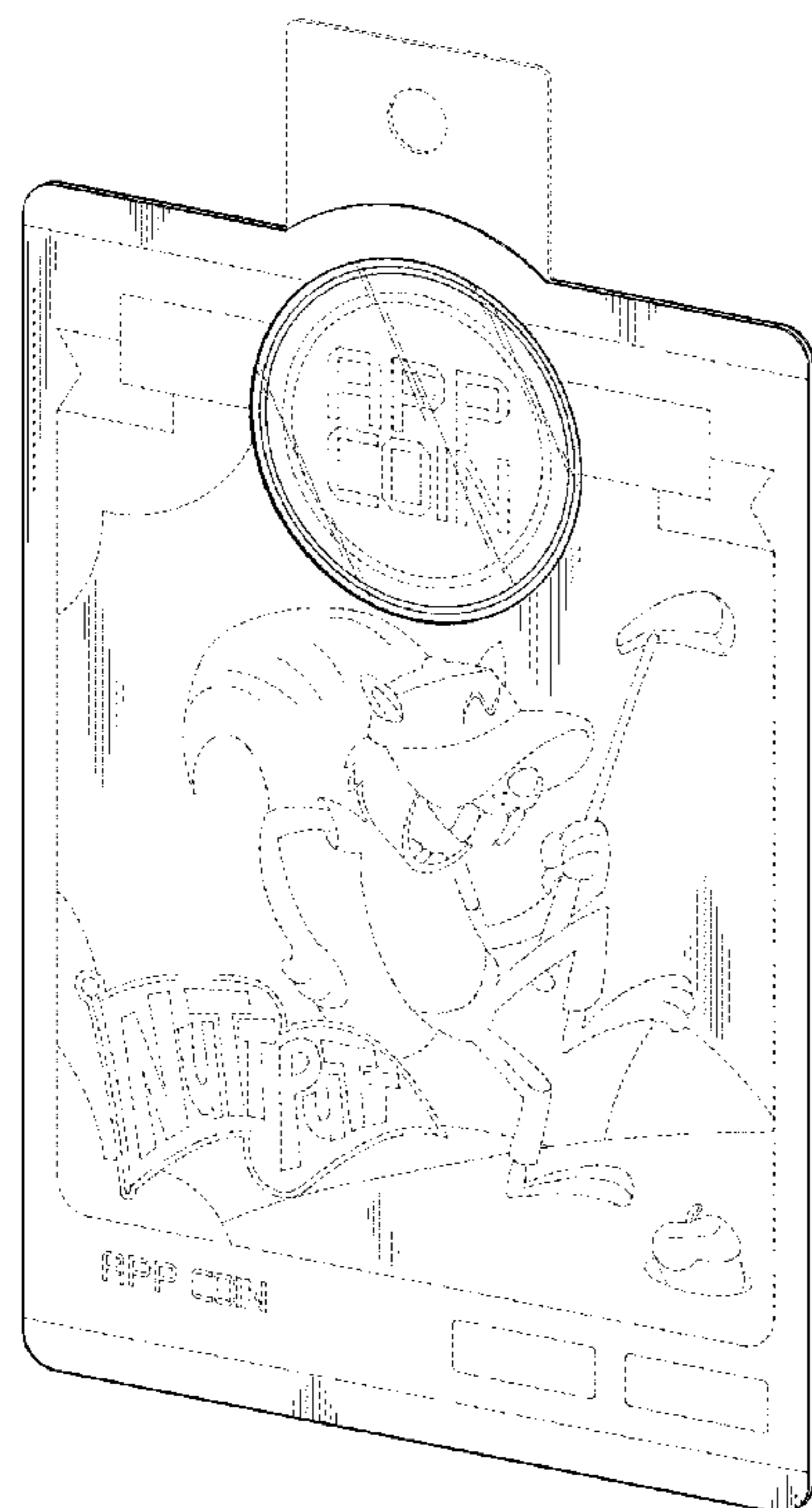
FIG. 6 is a bottom view of the combined game coin and
package of FIG. 1; and,

FIG. 7 is a perspective tear-away view of the combined game
coin and package of FIG. 1.

In the drawings, the broken lines depict unclaimed subject
matter only and form no part of the claimed design.

See application file for complete search history.

1 Claim, 7 Drawing Sheets



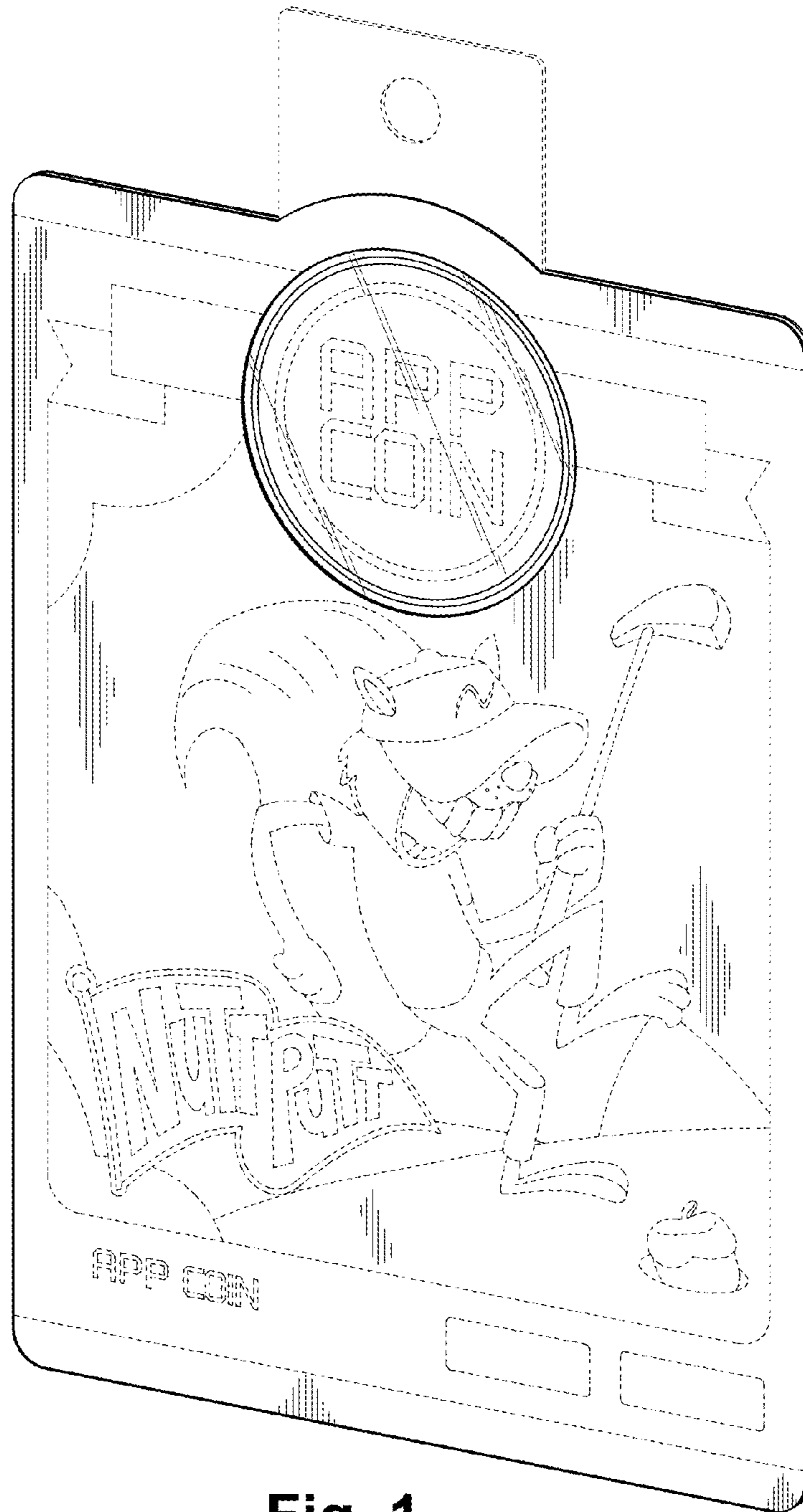


Fig. 1

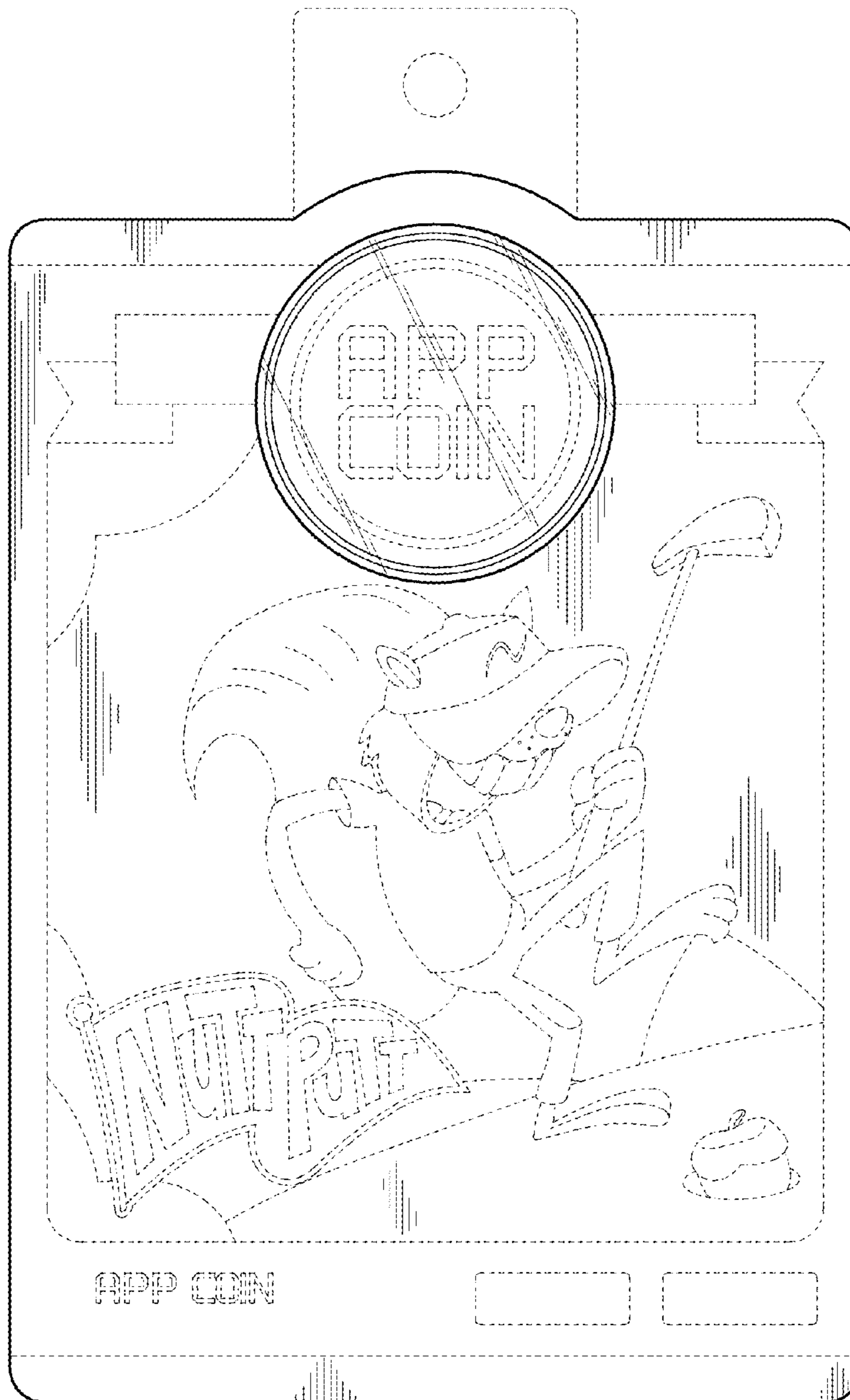


Fig. 2

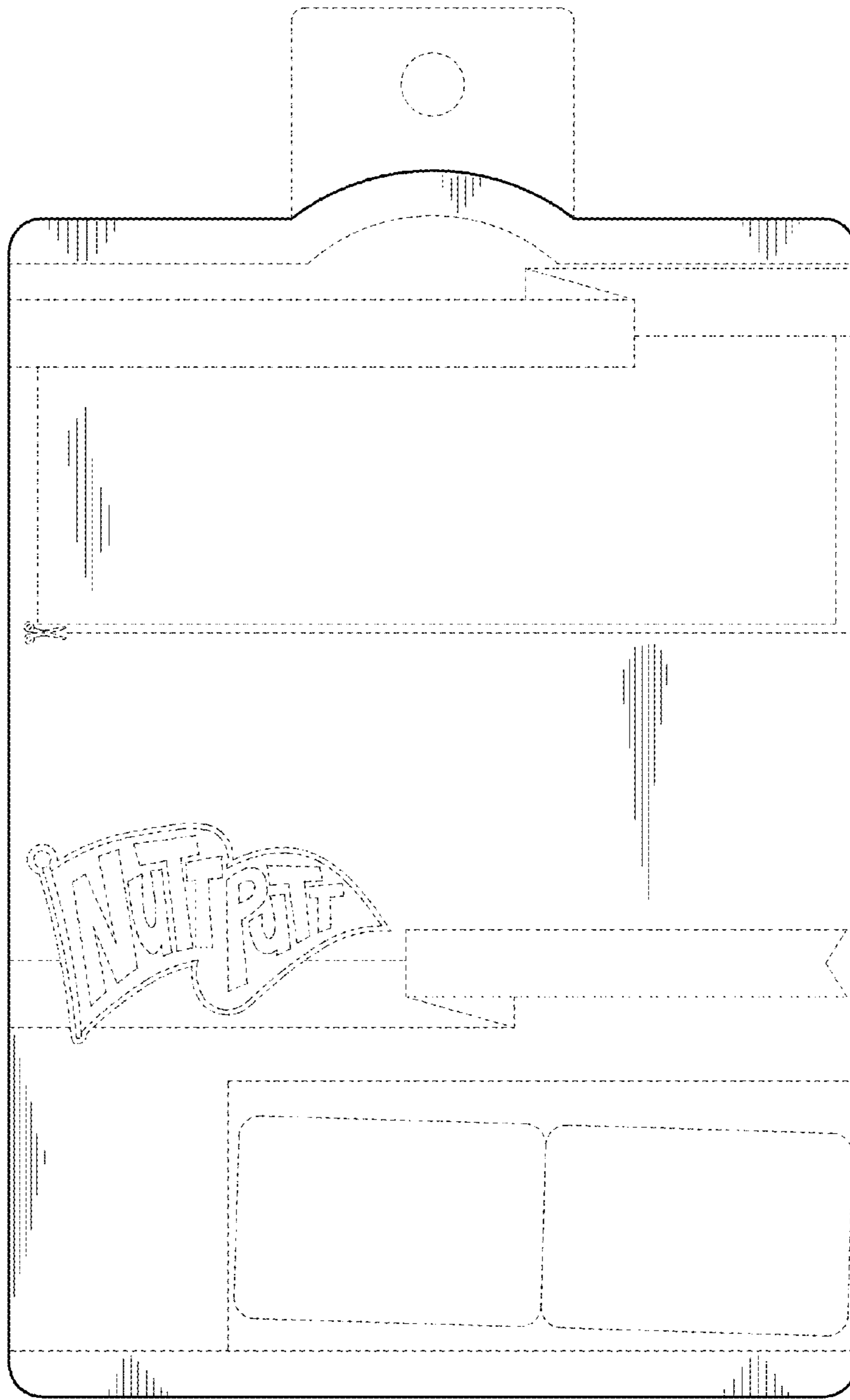


Fig. 3

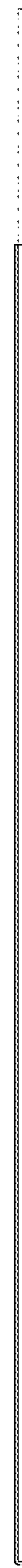


Fig. 4

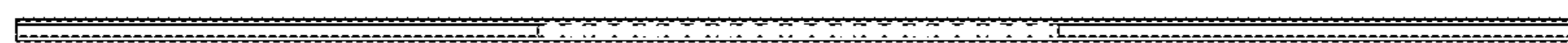


Fig. 5

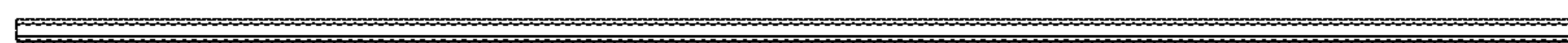


Fig. 6

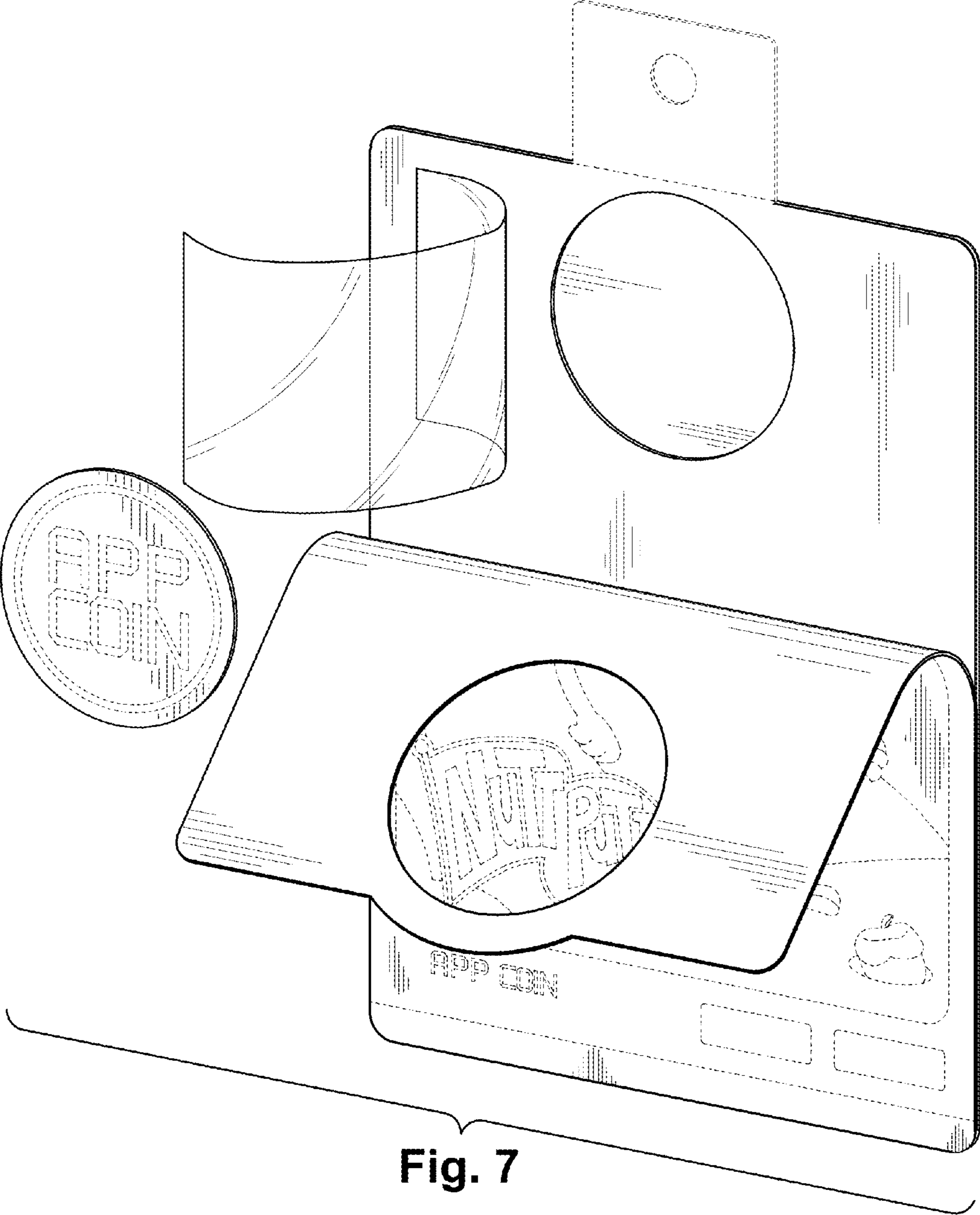


Fig. 7

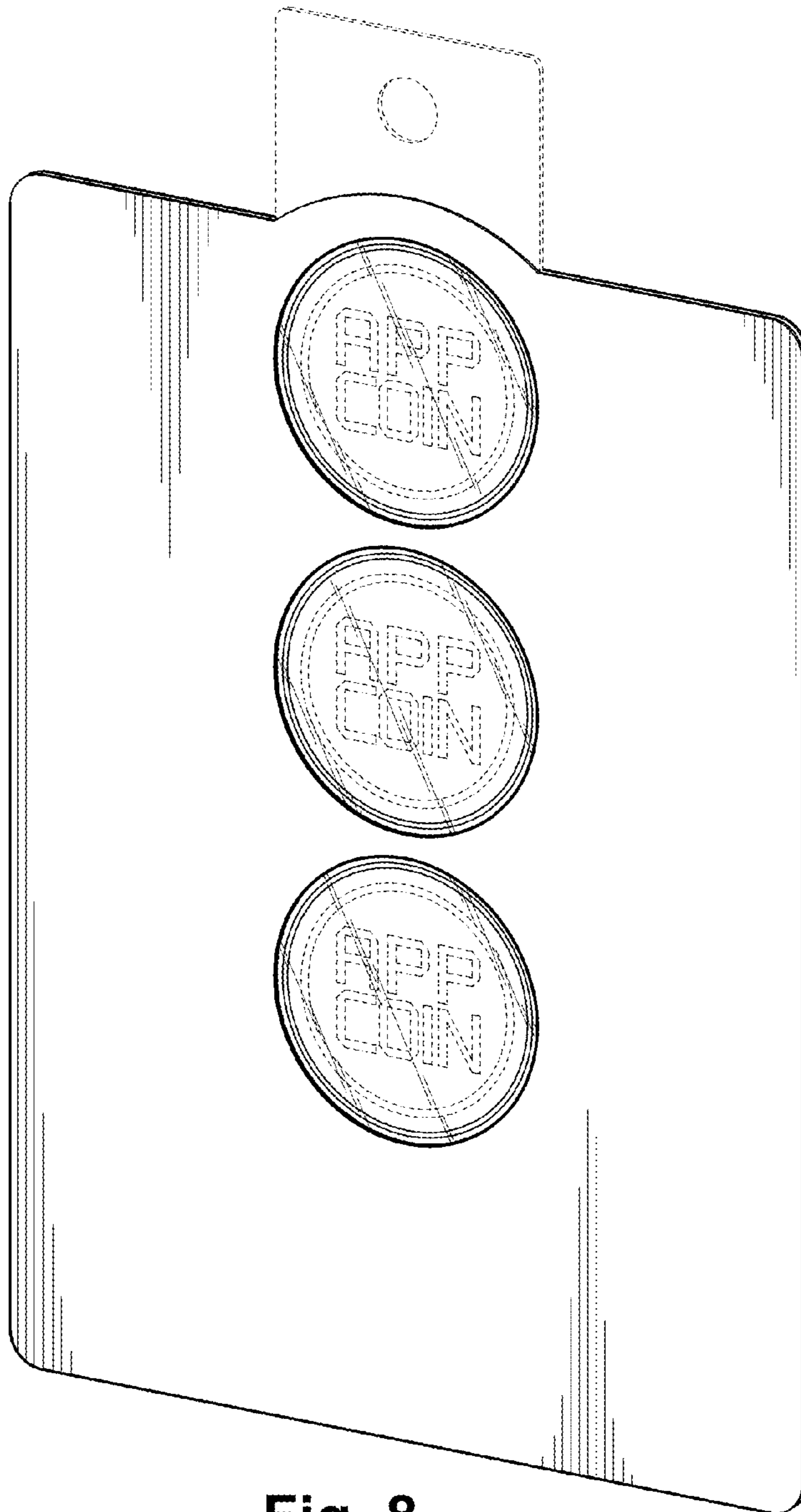


Fig. 8

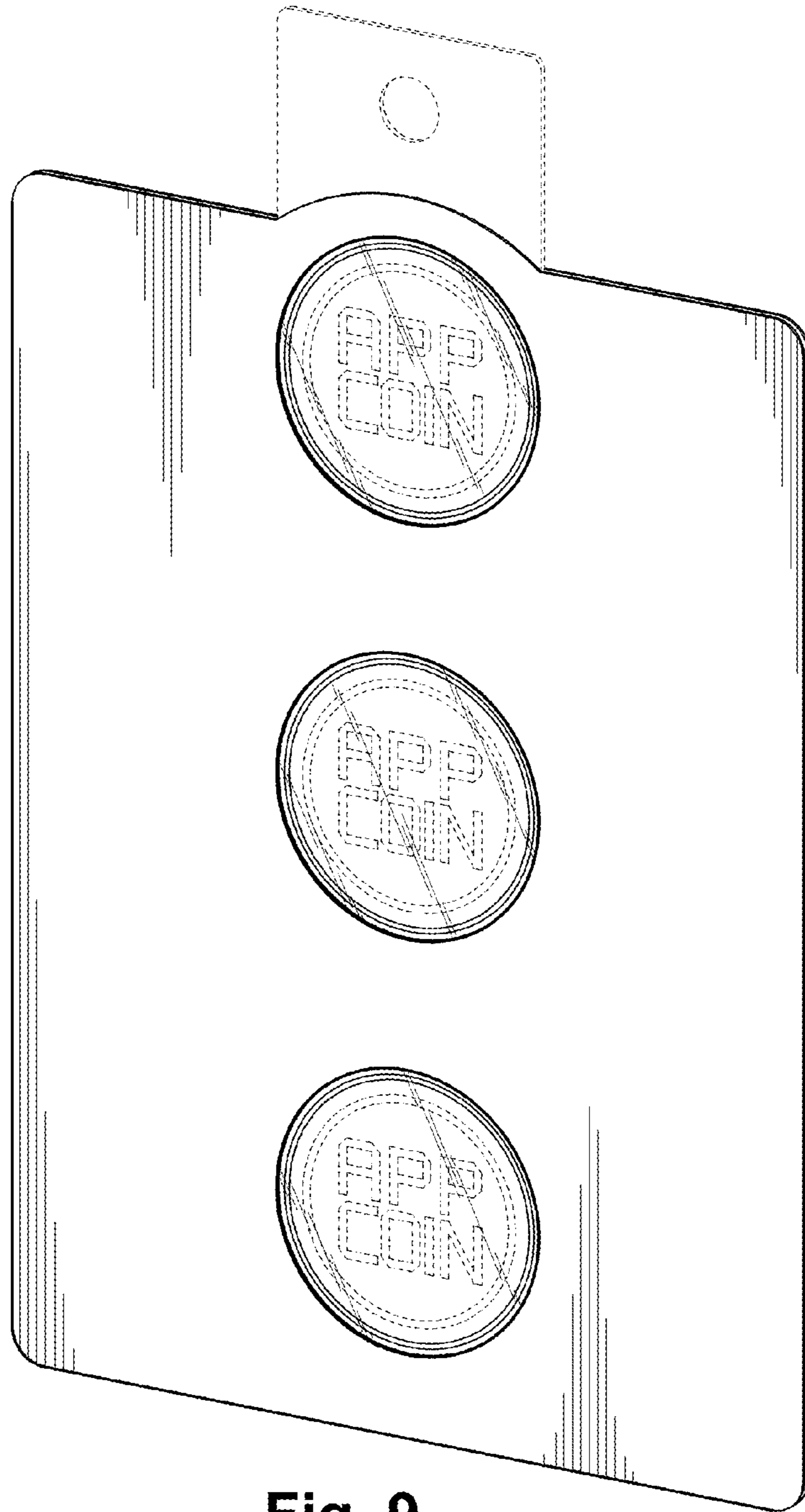


Fig. 9

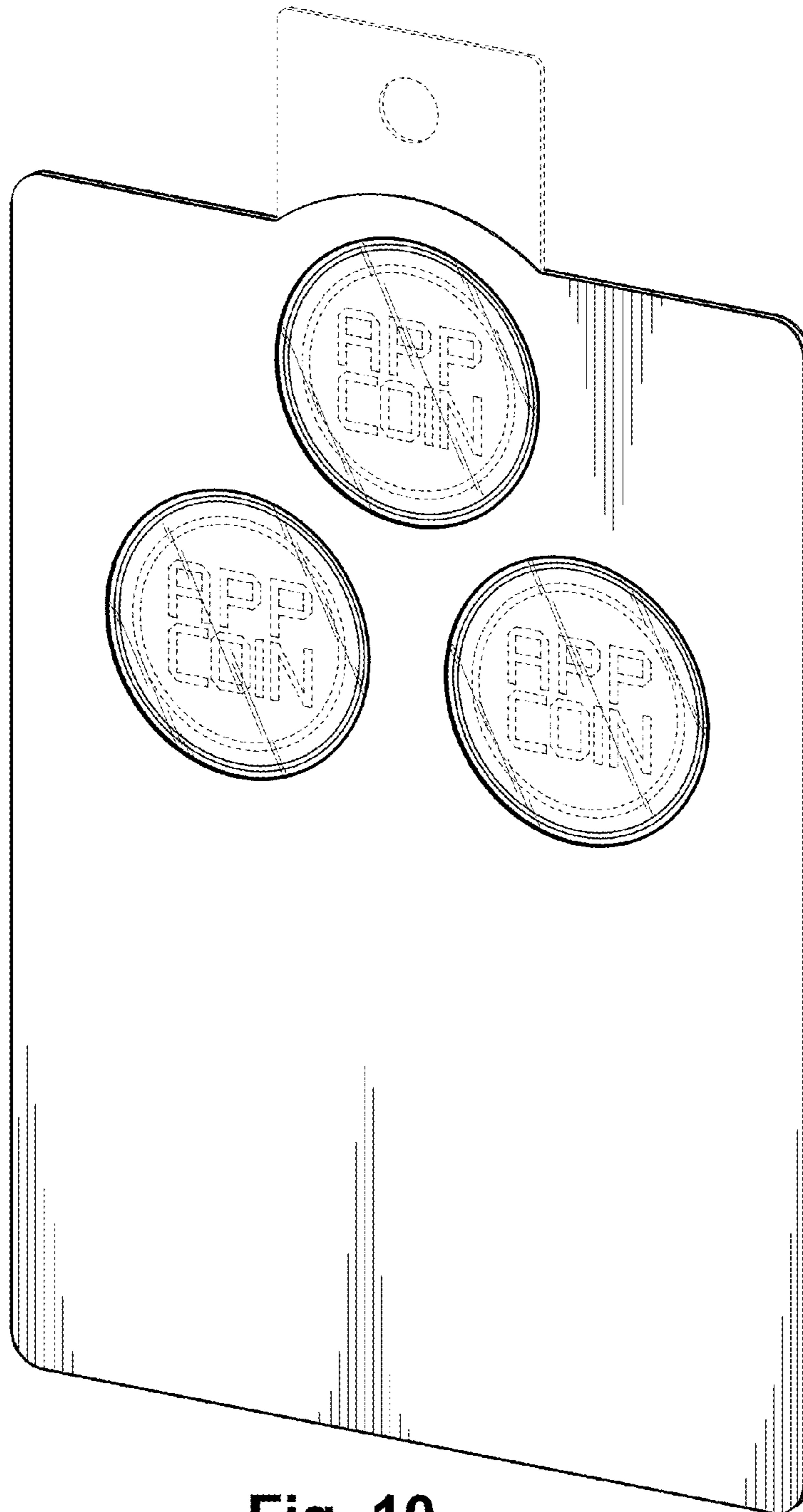


Fig. 10