

US00D720208S

(12) **United States Design Patent**  
**Jordan**

(10) **Patent No.:** **US D720,208 S**

(45) **Date of Patent:** **\*\* Dec. 30, 2014**

(54) **SPIKE LUG NUT**

(71) Applicant: **Jason Jordan**, Moxee, WA (US)

(72) Inventor: **Jason Jordan**, Moxee, WA (US)

(\*\*) Term: **14 Years**

(21) Appl. No.: **29/457,883**

(22) Filed: **Jun. 13, 2013**

(51) **LOC (10) CI.** ..... **08-08**

(52) **U.S. CI.**  
USPC ..... **D8/397**

(58) **Field of Classification Search**  
USPC ..... D8/397, 394, 382, 349, 399, 387, 392;  
411/427, 429, 432, 918, 179, 180, 190,  
411/327, 531; D23/303; 248/154; 606/232  
See application file for complete search history.

(56) **References Cited**

**U.S. PATENT DOCUMENTS**

D225,970	S *	1/1973	O'Donnell	.....	D8/387
D427,511	S *	7/2000	Weld	.....	D8/397
6,540,750	B2 *	4/2003	Burkhart	.....	606/232
D484,785	S *	1/2004	Plumer	.....	D8/397
D488,715	S *	4/2004	Plumer	.....	D8/397
D549,568	S *	8/2007	Schaeffer	.....	D8/397
D550,072	S *	9/2007	Ardern	.....	D8/387
7,322,549	B2 *	1/2008	Luna-Keaton	.....	248/154
D581,777	S *	12/2008	Huang	.....	D8/397

D613,595	S *	4/2010	Huang	.....	D8/397
D619,449	S *	7/2010	Smith et al.	.....	D8/382
D625,990	S *	10/2010	Lin	.....	D8/397
D658,479	S *	5/2012	Eason	.....	D8/349
D662,810	S *	7/2012	Clarke	.....	D8/397
8,414,613	B2 *	4/2013	Huxel et al.	.....	606/232
8,506,596	B2 *	8/2013	Stone et al.	.....	606/232

\* cited by examiner

*Primary Examiner* — Cynthia Underwood

(74) *Attorney, Agent, or Firm* — QuickPatents; Kevin Prince

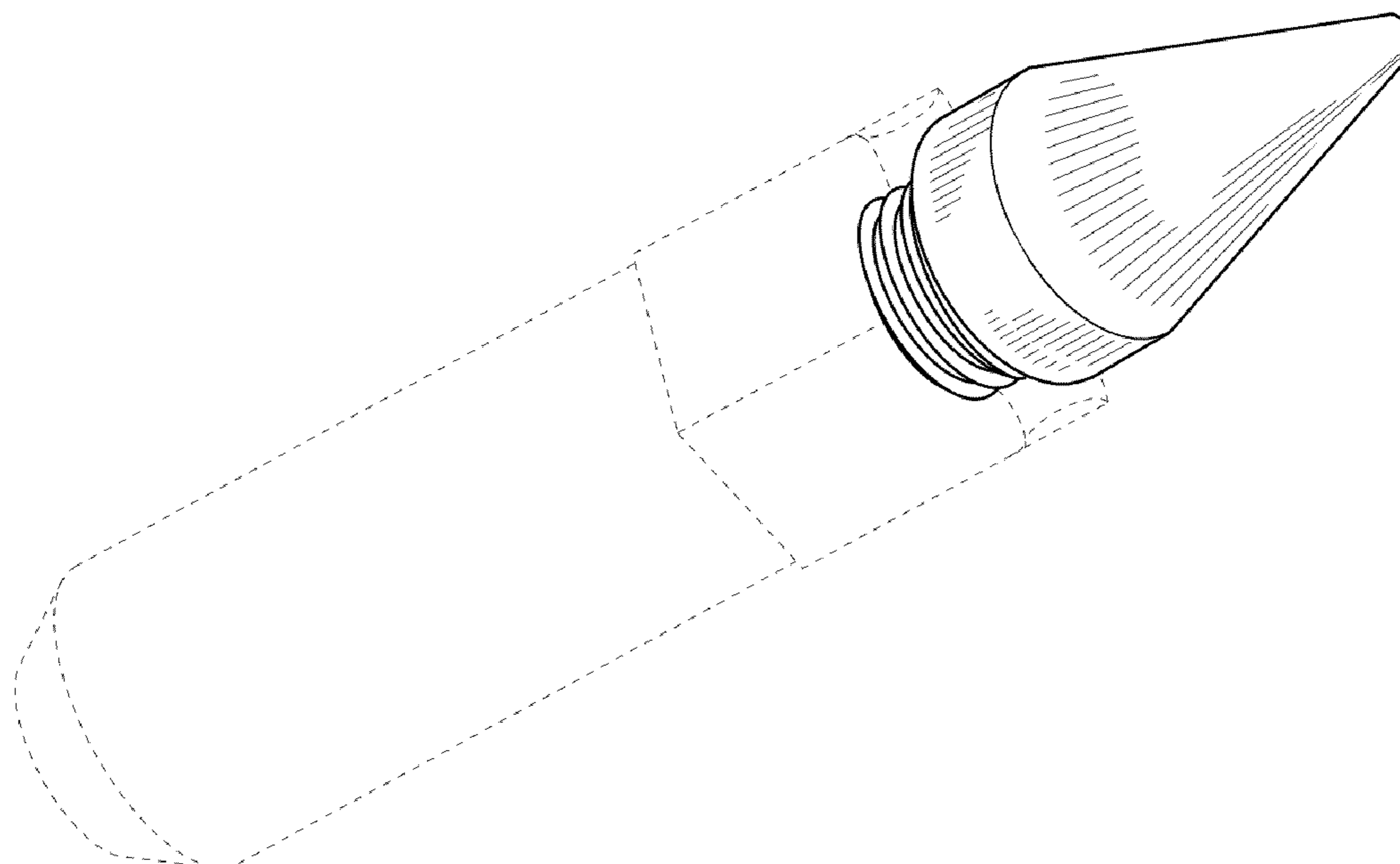
(57) **CLAIM**

I claim the ornamental design for a spike lug nut, as shown and described.

**DESCRIPTION**

FIG. 1 is a perspective view of a spike lug nut, showing my new design;  
 FIG. 2 is an enlarged perspective view thereof;  
 FIG. 3 is a front elevational view of FIG. 2;  
 FIG. 4 is a right-side elevational view of FIG. 2;  
 FIG. 5 is a rear elevational view of FIG. 2;  
 FIG. 6 is a left-side elevational view of FIG. 2;  
 FIG. 7 is a bottom plan view thereof; and,  
 FIG. 8 is a top plan view thereof.  
 The broken line showing of a wheel and lug nut in FIGS. 1 and 2 represent an environment of use and form no part of the claim. The broken lines in FIG. 7 are included for illustrative purposes only and form no part of the claim.

**1 Claim, 2 Drawing Sheets**



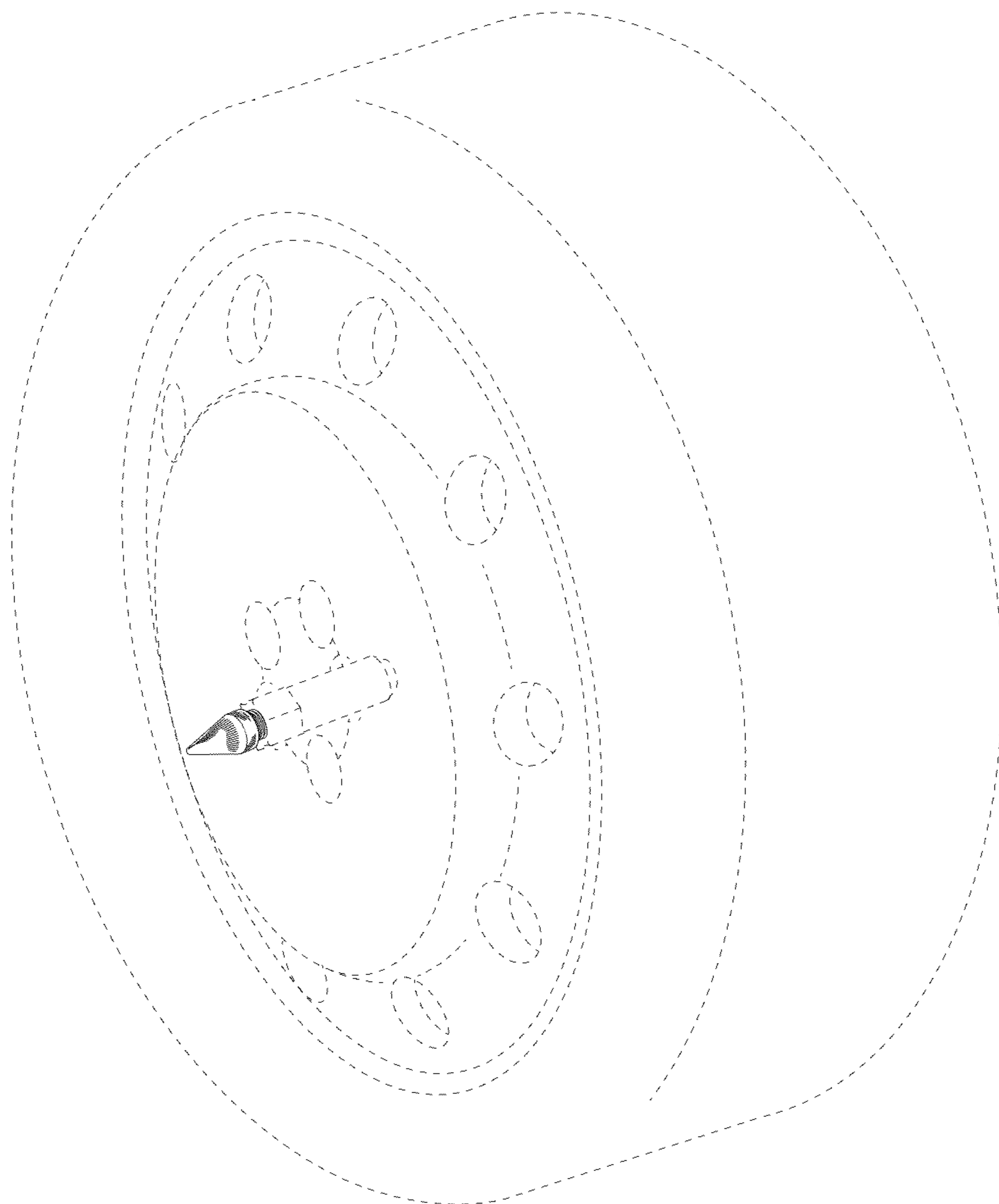


FIG. 1

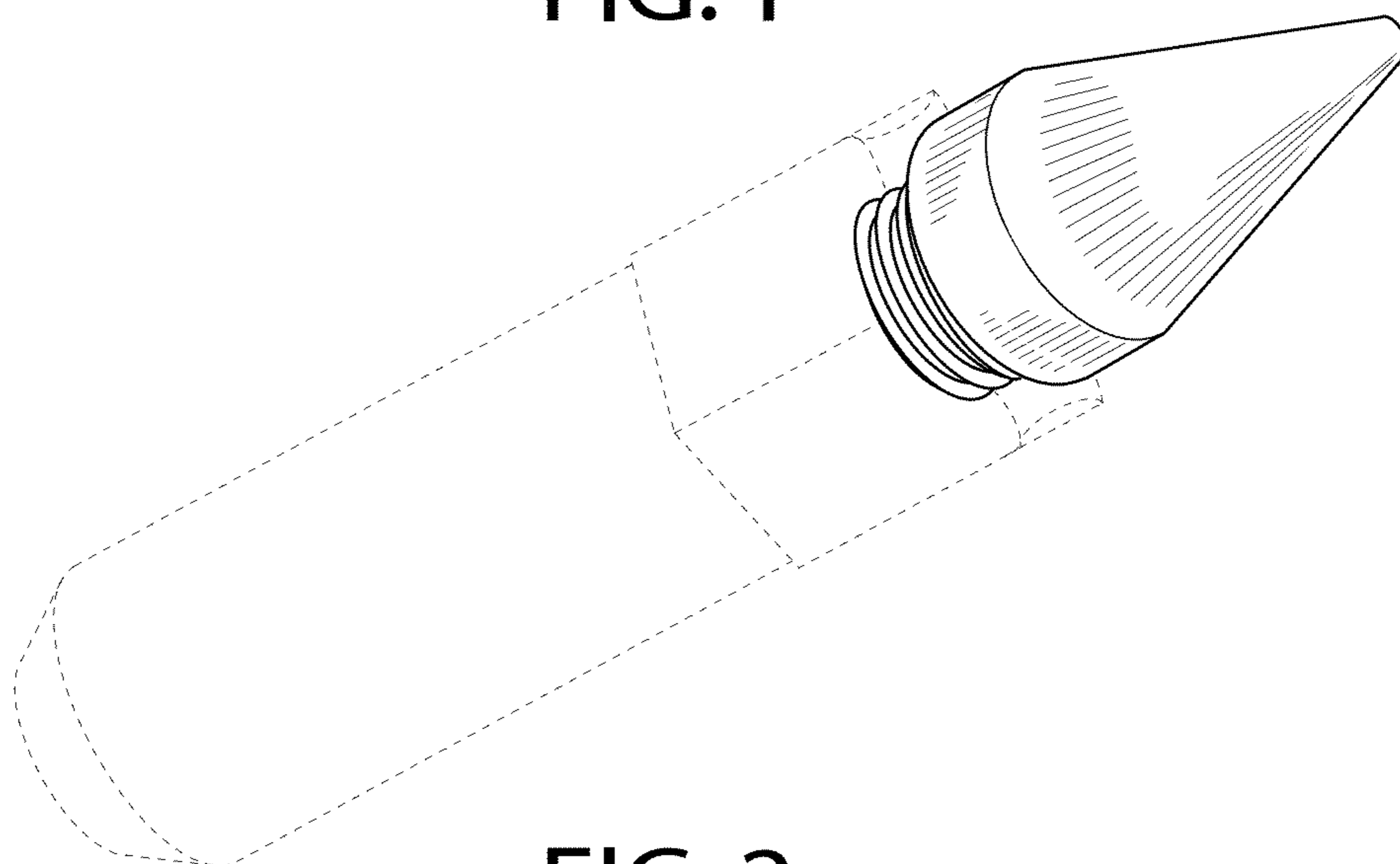


FIG. 2

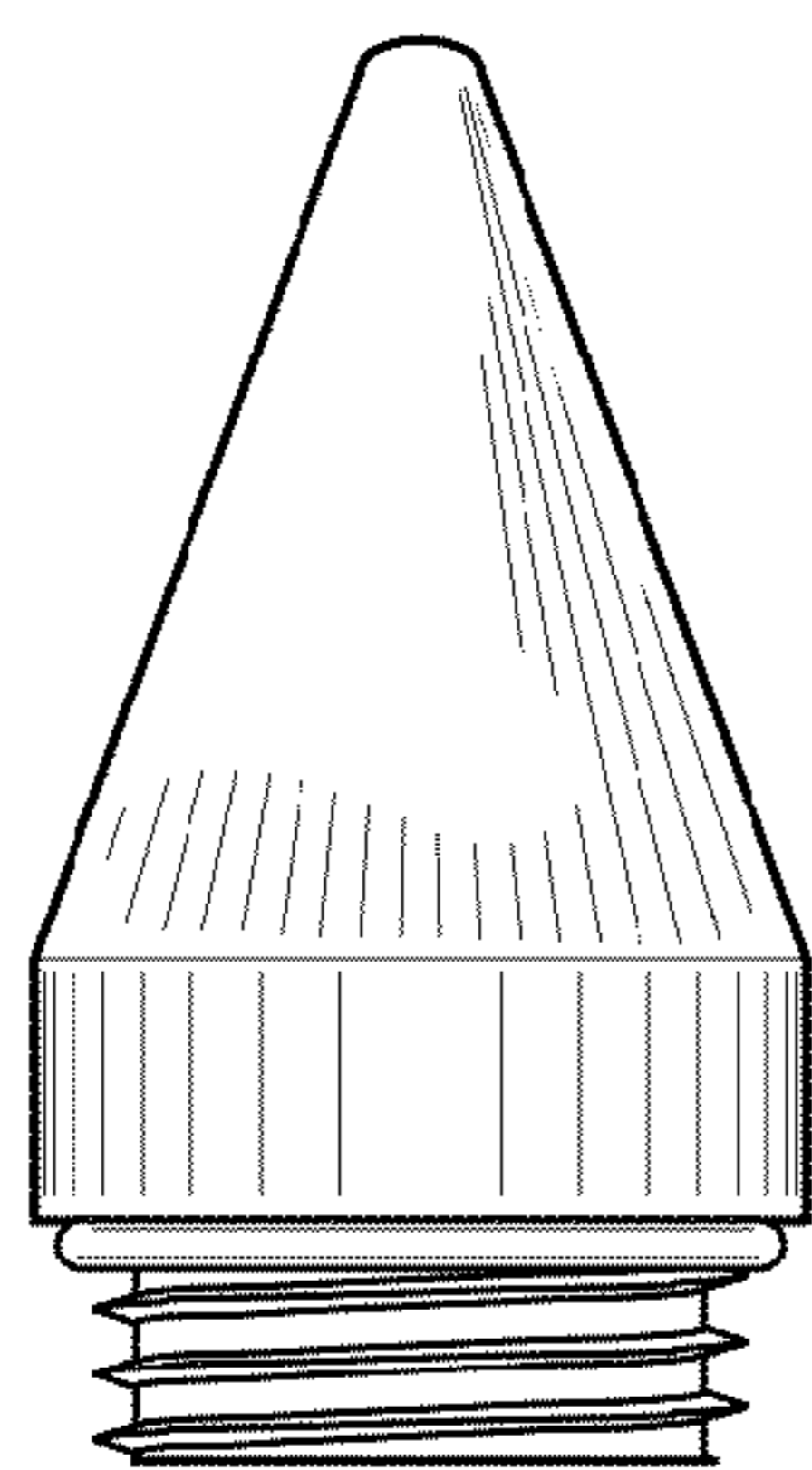


FIG. 3

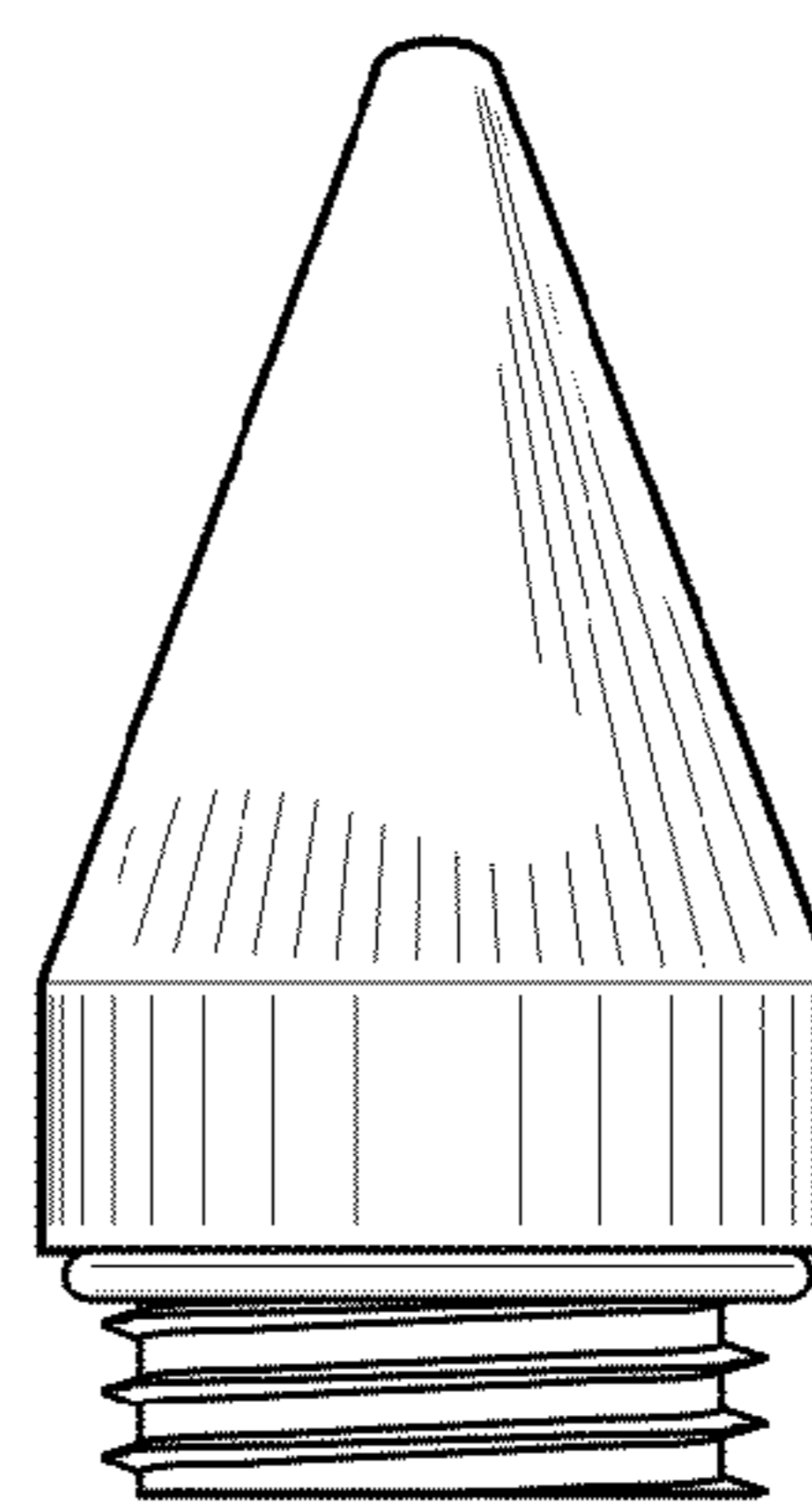


FIG. 4

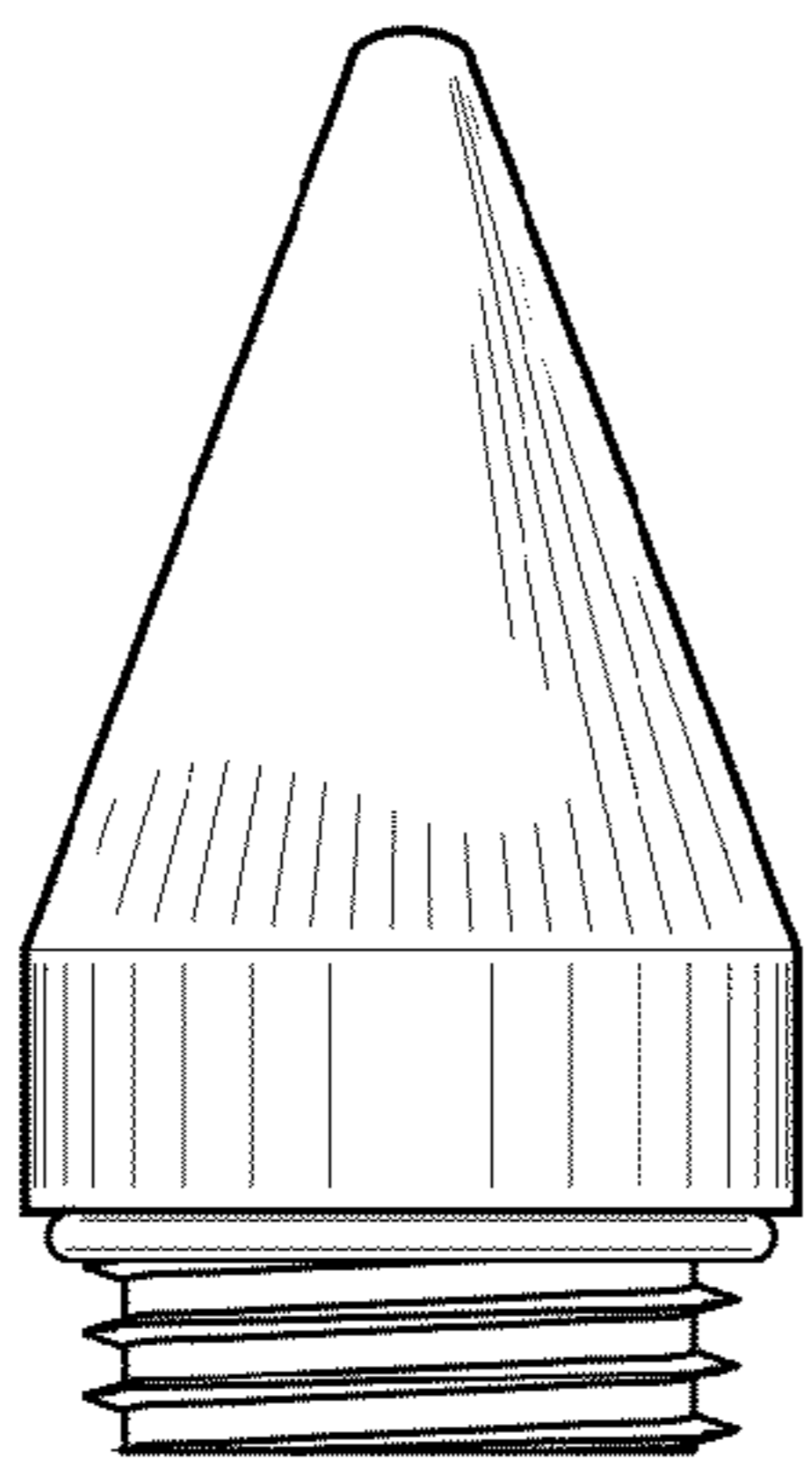


FIG. 5

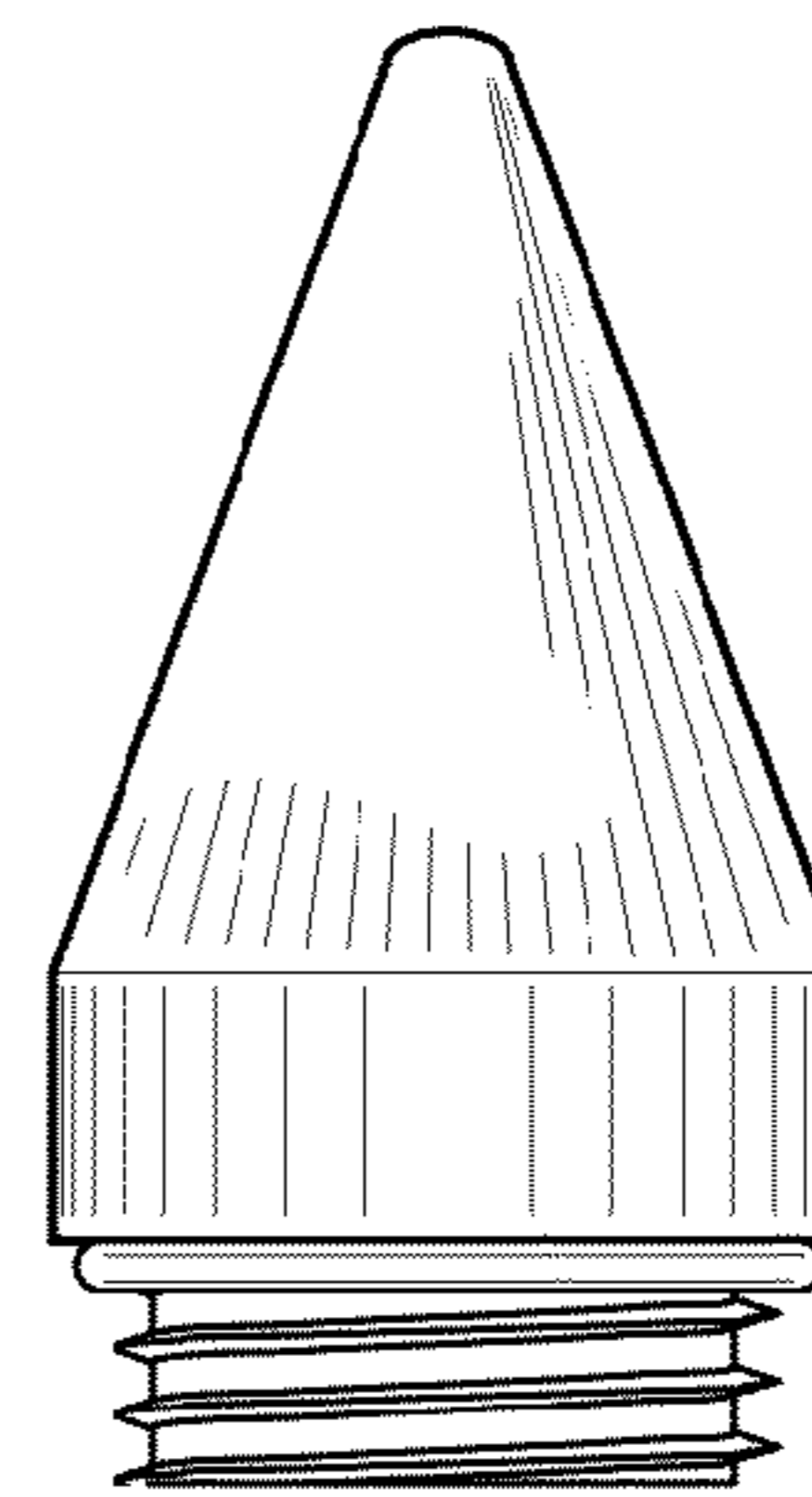


FIG. 6

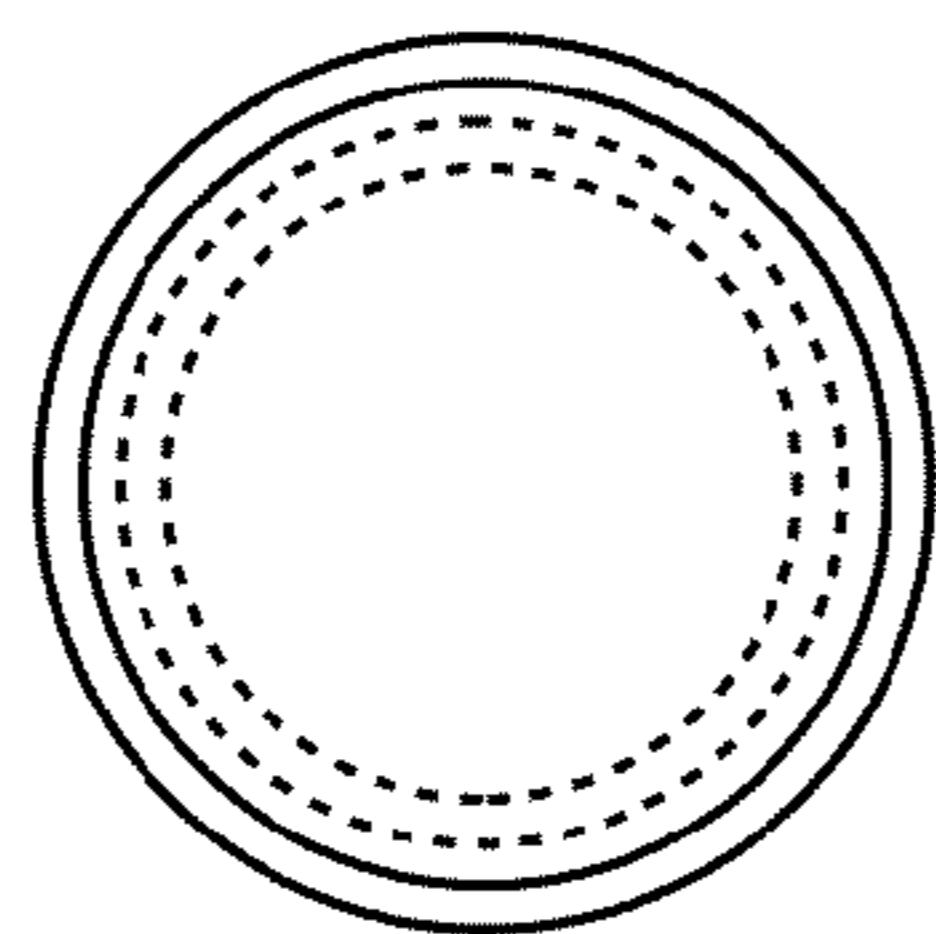


FIG. 7

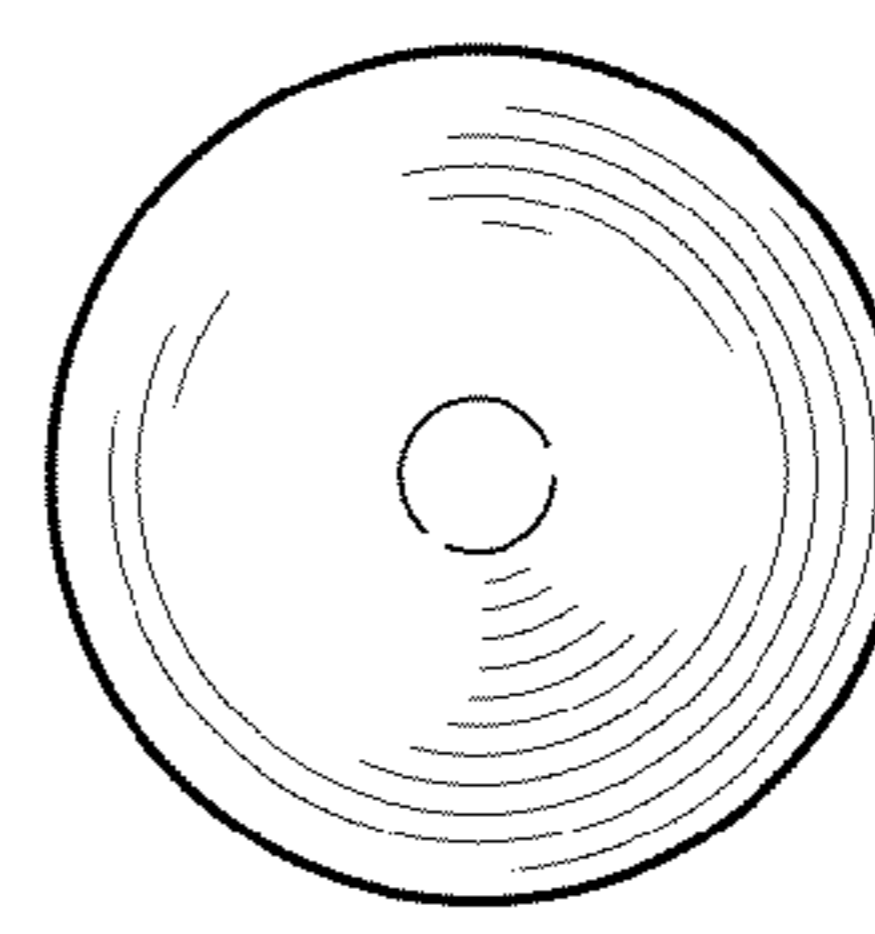


FIG. 8