

US00D720204S

(12) **United States Design Patent**
Ferragu

(10) **Patent No.:** **US D720,204 S**
(45) **Date of Patent:** **** Dec. 30, 2014**

(54) **LOCK**

FOREIGN PATENT DOCUMENTS

(71) Applicant: **Master Lock Company LLC**, Oak Creek, WI (US)

JP 986062 10/1993
JP 8086136 4/1996
JP 2009227228 4/2012

(72) Inventor: **Laurent Ferragu**, Saint Martin (FR)

OTHER PUBLICATIONS

(73) Assignee: **Master Lock Company LLC**, Oak Creek, WI (US)

Master Lock, No. 8118 U-Lock Product Description, Master Lock web site, 2003.

(**) Term: **14 Years**

(Continued)

(21) Appl. No.: **29/481,163**

Primary Examiner — Prabhakar Deshmukh
(74) *Attorney, Agent, or Firm* — Calfee, Halter & Griswold LLP

(22) Filed: **Feb. 3, 2014**

(57) **CLAIM**

I claim the ornamental design for a lock, as shown and described.

Related U.S. Application Data

DESCRIPTION

(62) Division of application No. 29/418,163, filed on Apr. 12, 2012, now abandoned.

(51) **LOC (10) Cl.** **08-07**

(52) **U.S. Cl.**
USPC **D8/336; D8/334; D8/333**

(58) **Field of Classification Search**
USPC D8/330, 331, 333, 334, 346, 349;
70/20, 24, 25, 26, 53, 233, 57.1, 58,
70/431

See application file for complete search history.

FIG. 1 is a front perspective view of a lock showing my new design;
FIG. 2 is a front elevational view thereof;
FIG. 3 is a rear elevational view thereof;
FIG. 4 is a right side elevational view thereof;
FIG. 5 is a left side elevational view thereof;
FIG. 6 is a top plan view thereof;
FIG. 7 is a bottom plan view thereof;
FIG. 8 is a front perspective view of a second embodiment of a lock;
FIG. 9 is a front elevational view of FIG. 8;
FIG. 10 is a rear elevational view of FIG. 8;
FIG. 11 is a right side elevational view of FIG. 8;
FIG. 12 is a left side elevational view of FIG. 8;
FIG. 13 is a top plan view of FIG. 8; and,
FIG. 14 is a bottom plan view of FIG. 8.
The broken lines illustrate unclaimed portions and form no part of the claimed design.

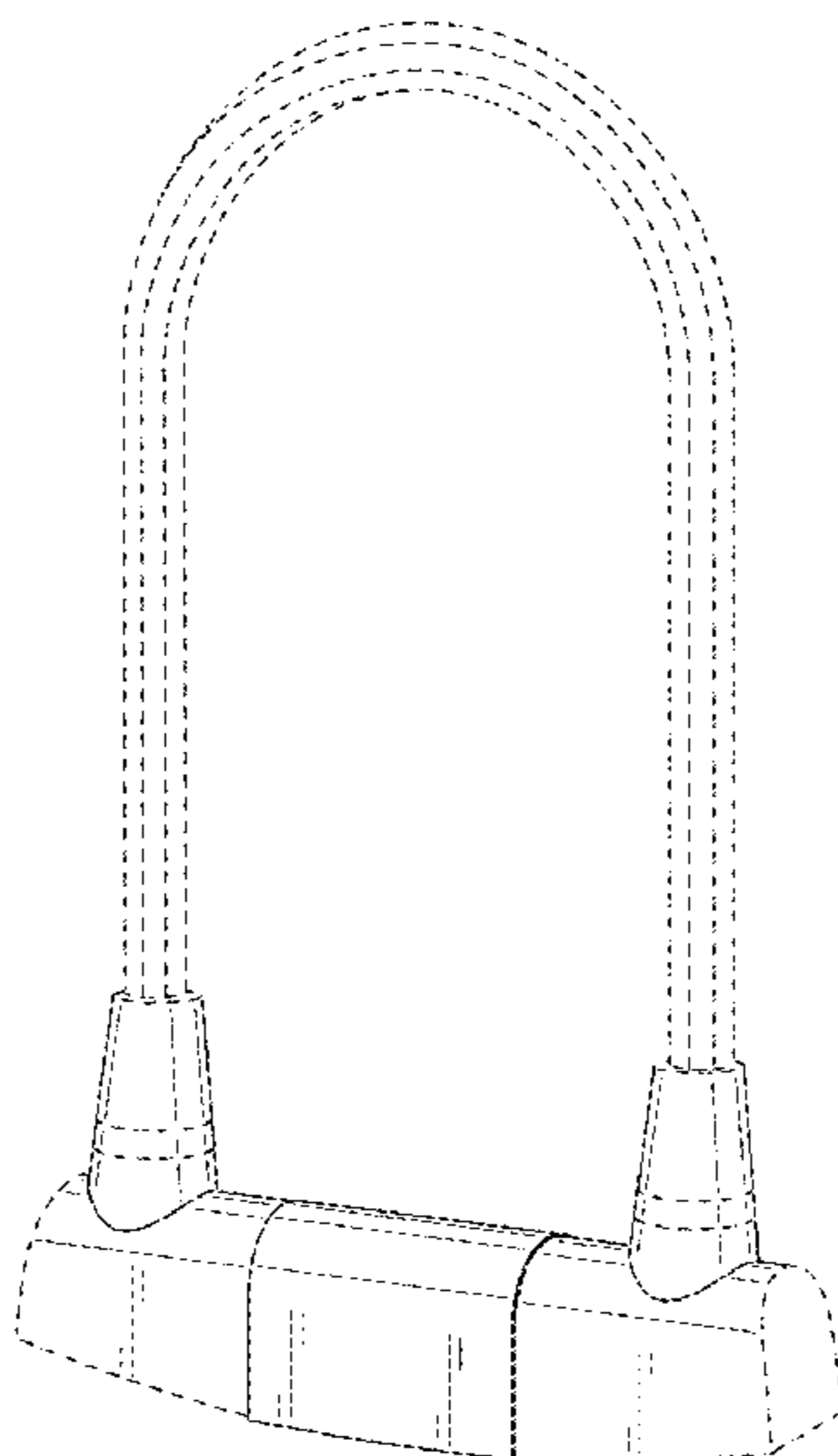
(56) **References Cited**

U.S. PATENT DOCUMENTS

526,740 A 10/1894 Rapaport
D32,638 S 5/1900 Voight
661,560 A 11/1900 Stall
666,231 A 1/1901 Lawson
767,004 A 8/1904 Muchowicz
1,016,455 A 2/1912 Stone

(Continued)

1 Claim, 10 Drawing Sheets



(56)

References Cited

U.S. PATENT DOCUMENTS

1,629,388 A 5/1927 Jackson
 1,667,254 A * 4/1928 Hedrich 70/46
 1,688,208 A 10/1928 Del Rosso
 1,777,424 A 10/1930 Atkins
 3,901,057 A 8/1975 Coley, Sr.
 4,085,600 A 4/1978 Bindari
 D295,719 S 5/1988 DeLuca et al.
 4,918,949 A 4/1990 Newbold
 5,101,646 A 4/1992 Goldman et al.
 5,142,888 A 9/1992 Ling
 5,194,845 A 3/1993 Sirmon et al.
 5,195,340 A 3/1993 Huang
 5,199,282 A 4/1993 Wang
 5,253,496 A 10/1993 Wang
 5,331,830 A 7/1994 Su
 D352,223 S 11/1994 Shieh
 5,372,019 A 12/1994 Hsiao
 5,398,529 A 3/1995 Goldman et al.
 5,400,624 A 3/1995 Shieh
 5,406,812 A 4/1995 Jaw
 5,417,092 A 5/1995 lu
 5,488,845 A 2/1996 Hsieh
 D367,601 S * 3/1996 Brendel D8/333
 5,505,064 A 4/1996 Wang
 5,640,861 A 6/1997 Chen
 5,678,431 A * 10/1997 Yan 70/39
 D397,925 S * 9/1998 Byrd, Jr. D8/334
 5,823,021 A * 10/1998 Chang 70/38 A
 6,026,663 A 2/2000 Tsung-Chuan et al.
 D430,787 S * 9/2000 Liu D8/333
 D449,971 S * 11/2001 Schell D8/333
 6,341,509 B1 1/2002 McDaid
 D454,293 S 3/2002 Bremicker
 6,397,648 B1 6/2002 Morris et al.
 6,422,442 B1 7/2002 McDaid et al.
 6,430,975 B1 8/2002 McDaid
 6,619,084 B2 9/2003 Kuo
 D484,777 S 1/2004 Ruan
 6,701,757 B1 * 3/2004 Vito 70/51
 D488,368 S 4/2004 Vito
 D488,701 S 4/2004 Vito
 6,718,802 B2 * 4/2004 Vito 70/18
 D516,896 S 3/2006 Kearns et al.
 7,013,686 B1 * 3/2006 Chen 70/43
 D520,339 S 5/2006 Heppner
 D524,145 S 7/2006 Heppner
 D528,401 S 9/2006 Ruan
 D528,402 S 9/2006 Ruan

D529,368 S 10/2006 Ruan
 D529,369 S 10/2006 Ruan
 D529,786 S 10/2006 Heppner
 D533,435 S * 12/2006 Kearns et al. D8/334
 D533,764 S 12/2006 Heppner
 D541,631 S 5/2007 Heppner
 D548,045 S 8/2007 Heppner
 D549,554 S 8/2007 Heppner
 D556,541 S 12/2007 Blomstrom et al.
 D563,200 S 3/2008 Nave et al.
 D572,113 S 7/2008 Saucedo
 D576,859 S 9/2008 Blomstrom et al.
 D576,860 S 9/2008 Blomstrom et al.
 D576,861 S 9/2008 Blomstrom et al.
 D576,862 S 9/2008 Blomstrom et al.
 D576,863 S 9/2008 Blomstrom et al.
 D576,864 S 9/2008 Blomstrom et al.
 D577,568 S 9/2008 Gast
 7,481,085 B2 1/2009 Rohde et al.
 D606,841 S 12/2009 Stevens
 7,624,489 B2 12/2009 Rohde et al.

OTHER PUBLICATIONS

Master Lock 8174DLWPF U-Lock Product Description, Tessco web site, <https://www.tessco.com/products/displayProductInfo.do?sku=337312&eventPage=1>, 2011. 2 pages.
 Master Lock U Bark Bike Lock 8170D Product Description, <http://www.thetoolworkshop.com/masterlock8x4ubarbikelock8170d.aspx>, 2 pages.
 Depositphotos, The open lock/ Stock Photo Oleksiy Chirko #2956013, 2010, 1 page.
 Love Aesthetics by Ivania Carpio, printout of web site pages; <http://love-aesthetics.blogspot.com/2012/03/accessories-industrial-bracelets.html>, 7 pages.
 Master Lock catalog, front page, dated May 1993.
 National Manufacturing Co. Catalog, Sep. 1985, p. 208.
 KBL Corporation, 1982, 2 pages.
 English translation received from Japanese Associate on Jun. 11, 2013 of Abstract of the Final decision of rejection for Japanese Patent Application No. 2012-24874, dated Jun. 5, 2013.
 Master Lock, Solid Body Padlocks—No. M532XKADLH, Master Lock web site 2013.
 Kryptonite; Product Information; KryptoLok Series 2 Mini-7; <http://kryptonitelock.com/Pages/ProductInformation.aspx?PNumber=000006,2013>.
 Notification for Reason of Refusal from Japanese Design Application No. 2012-24874, Feb. 13, 2013.

* cited by examiner

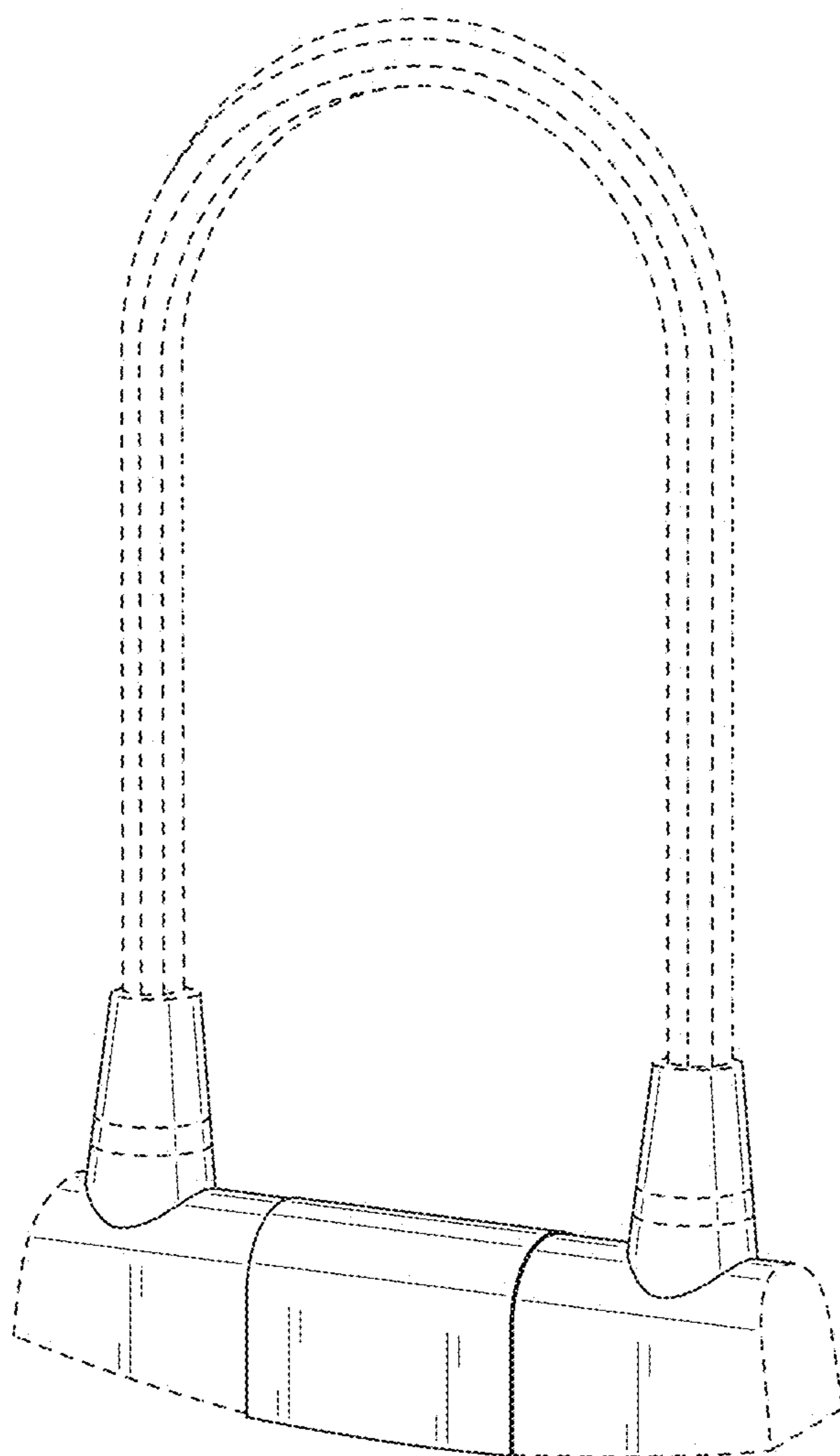


FIG. 1

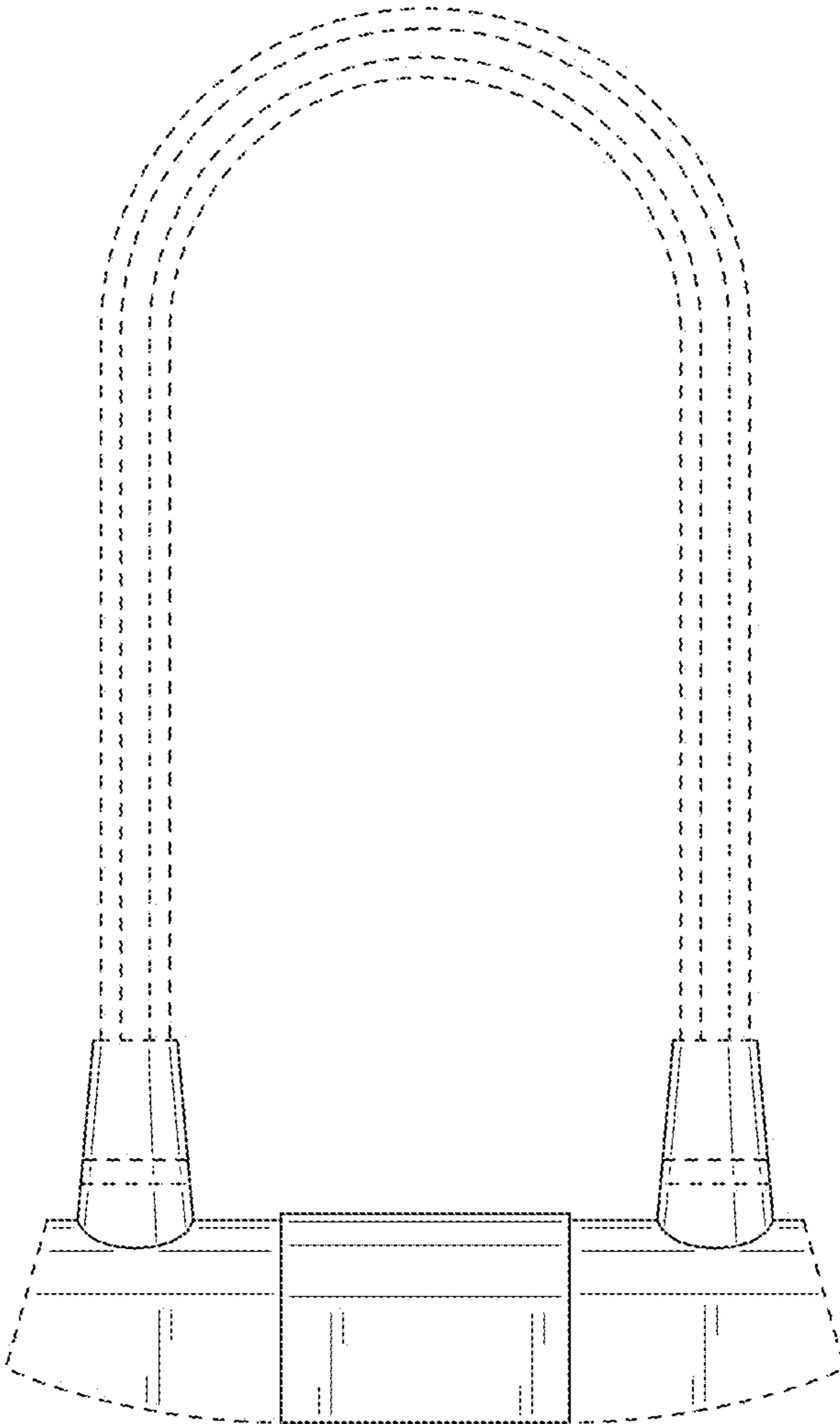


FIG. 2

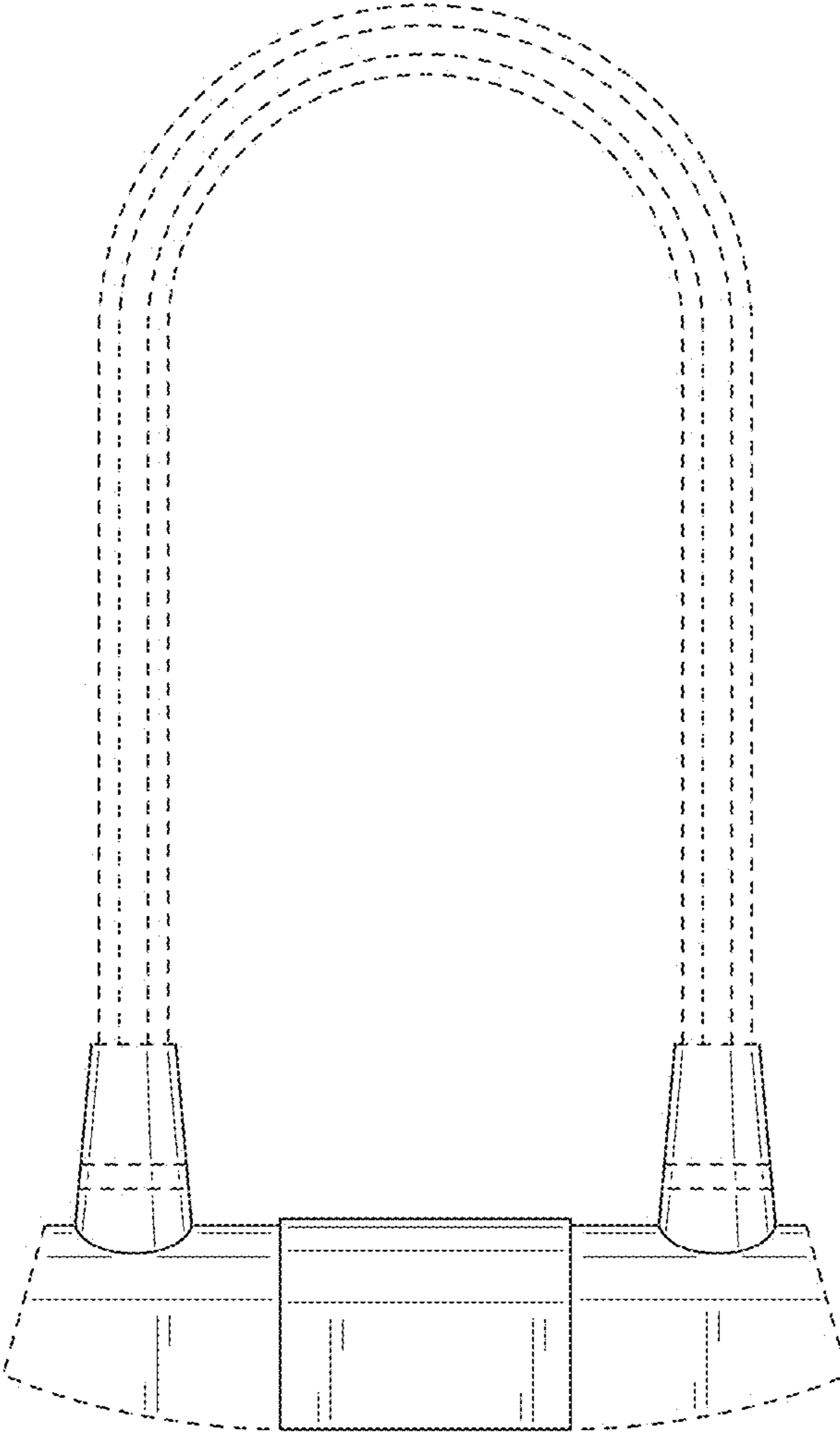


FIG. 3

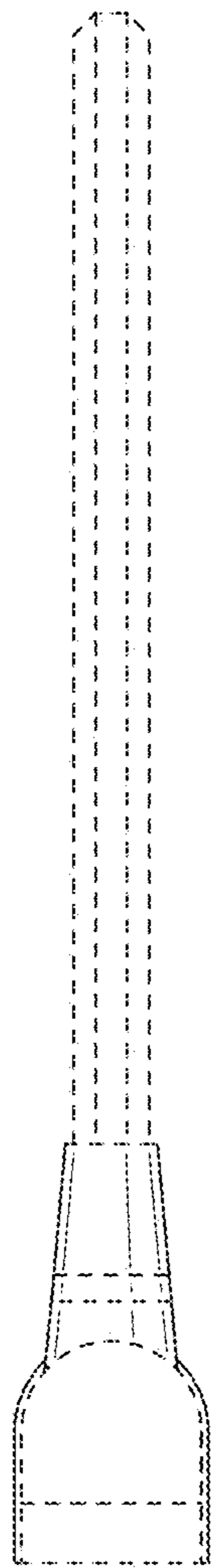


FIG. 4

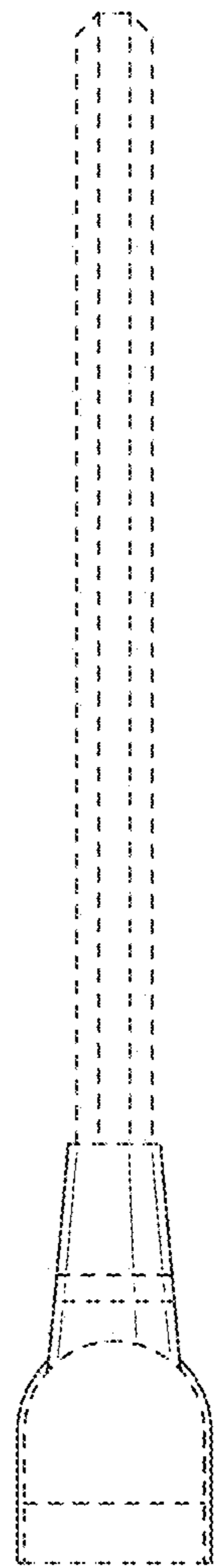


FIG. 5

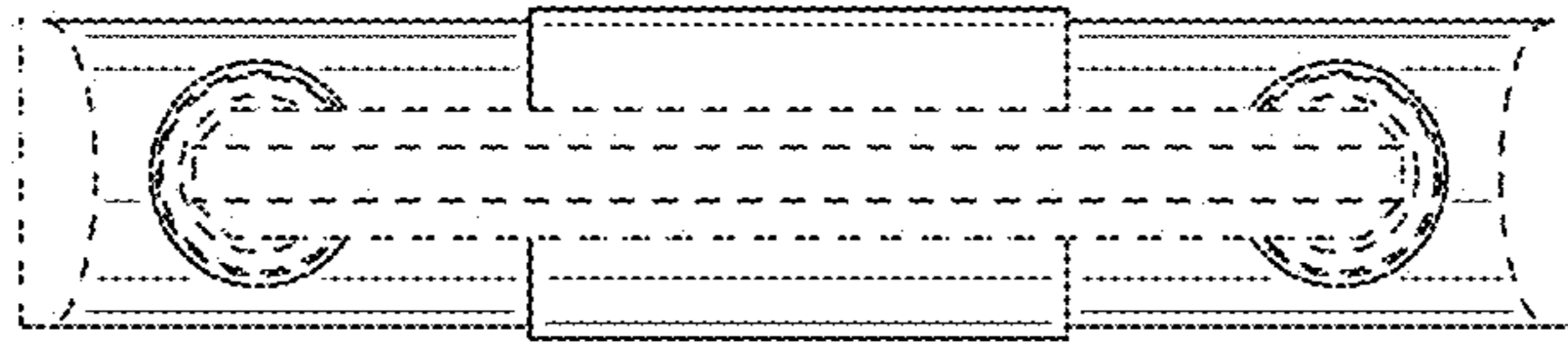


FIG. 6



FIG. 7

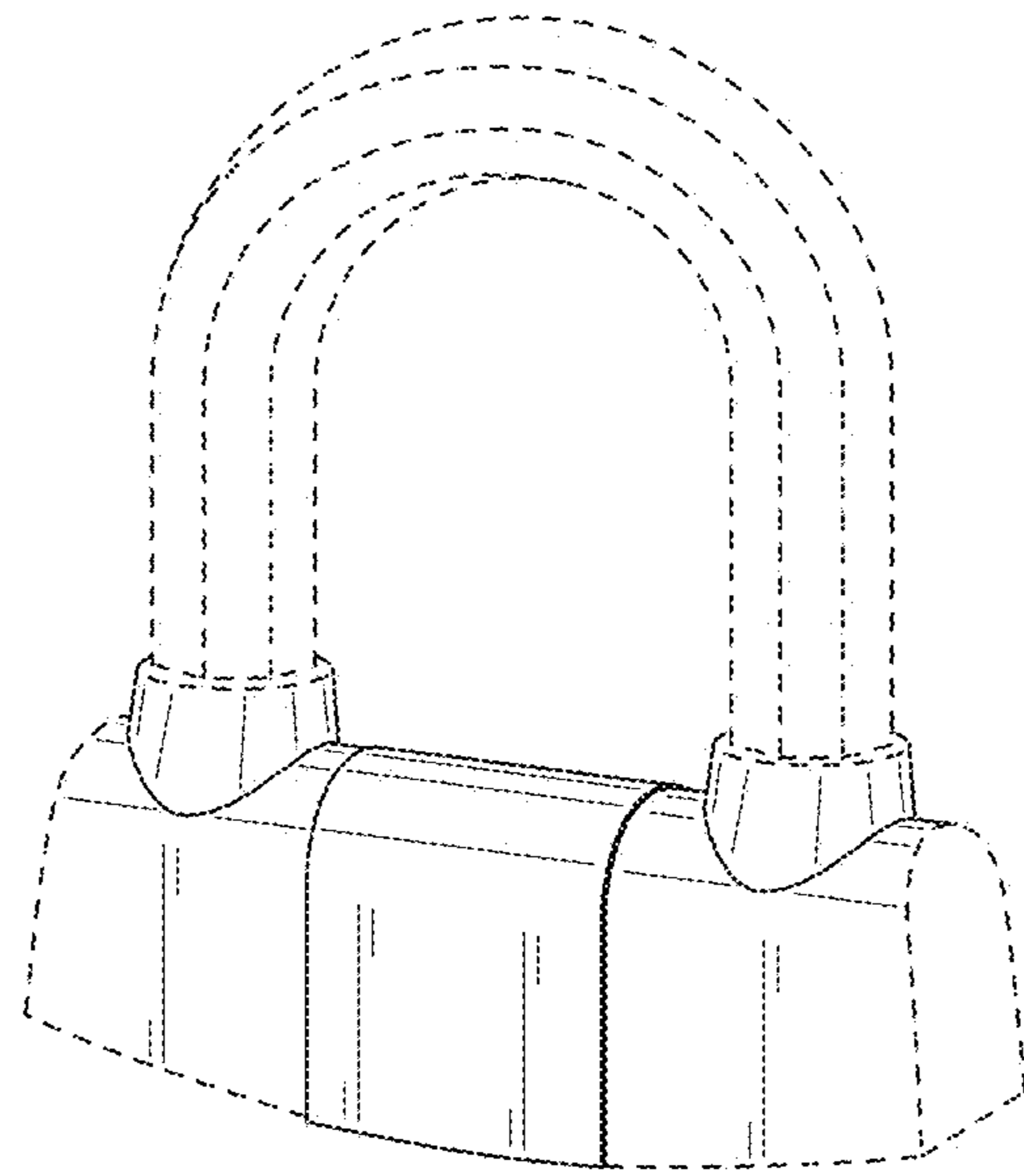


FIG. 8

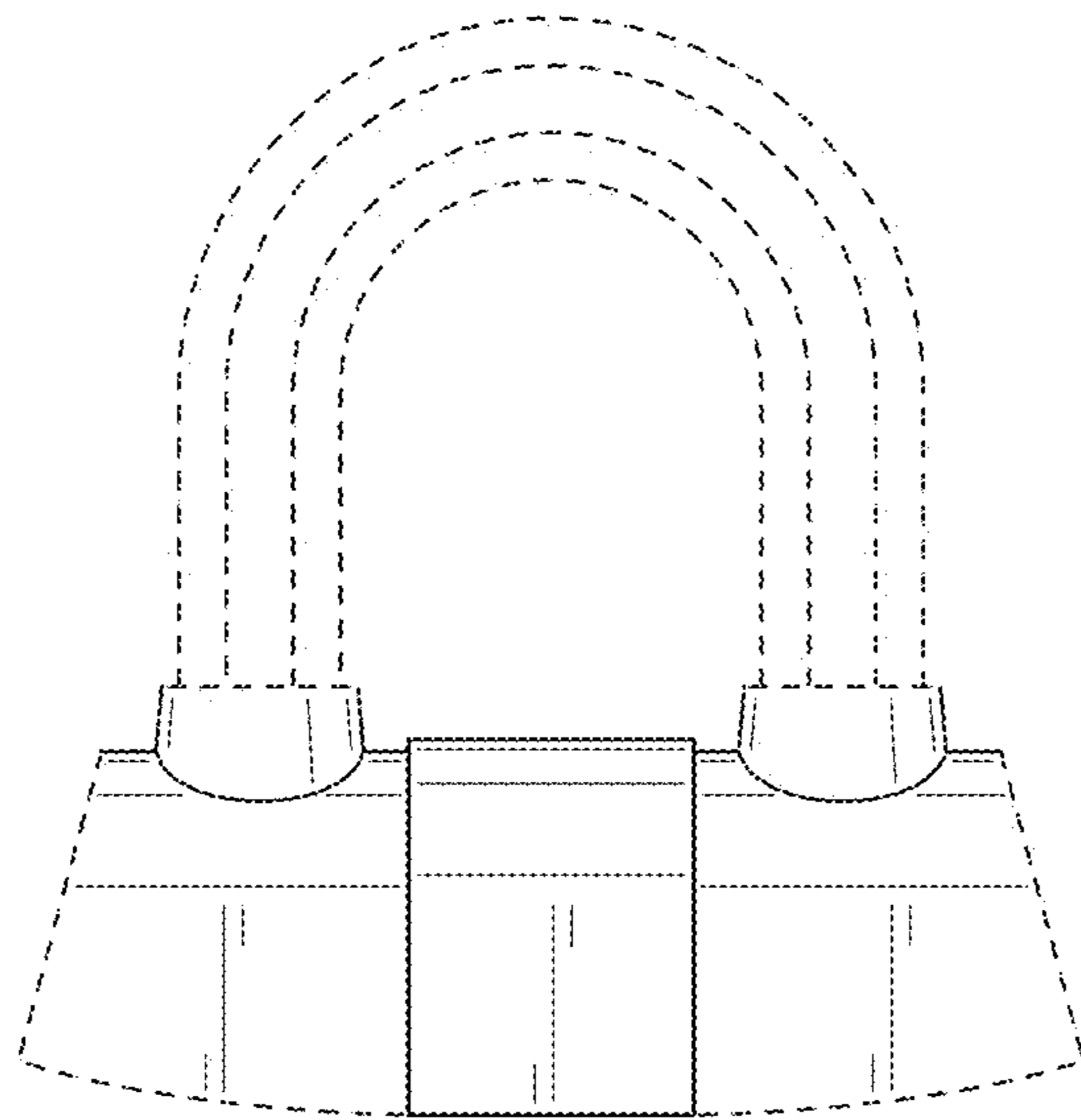


FIG. 9

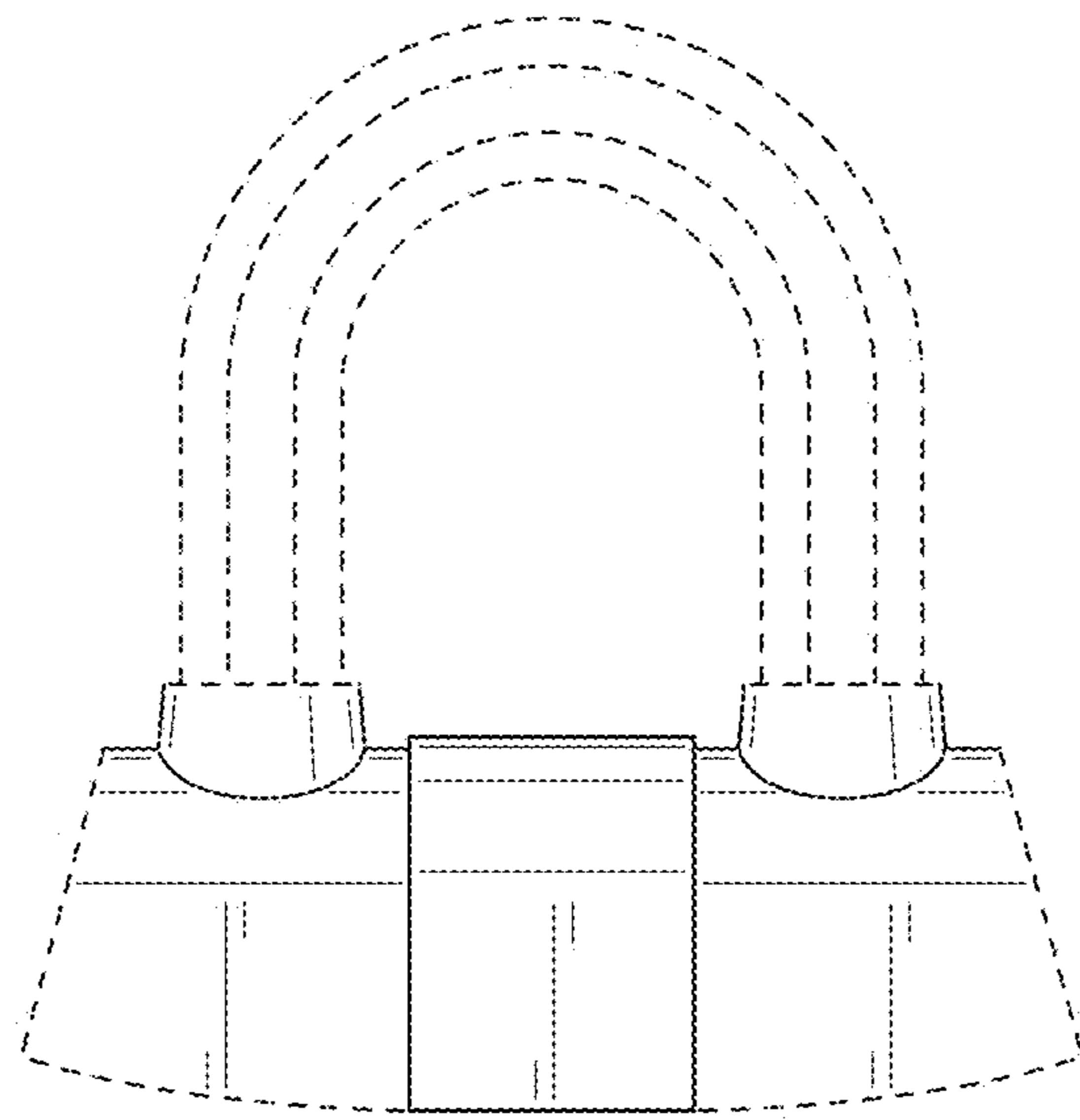


FIG. 10

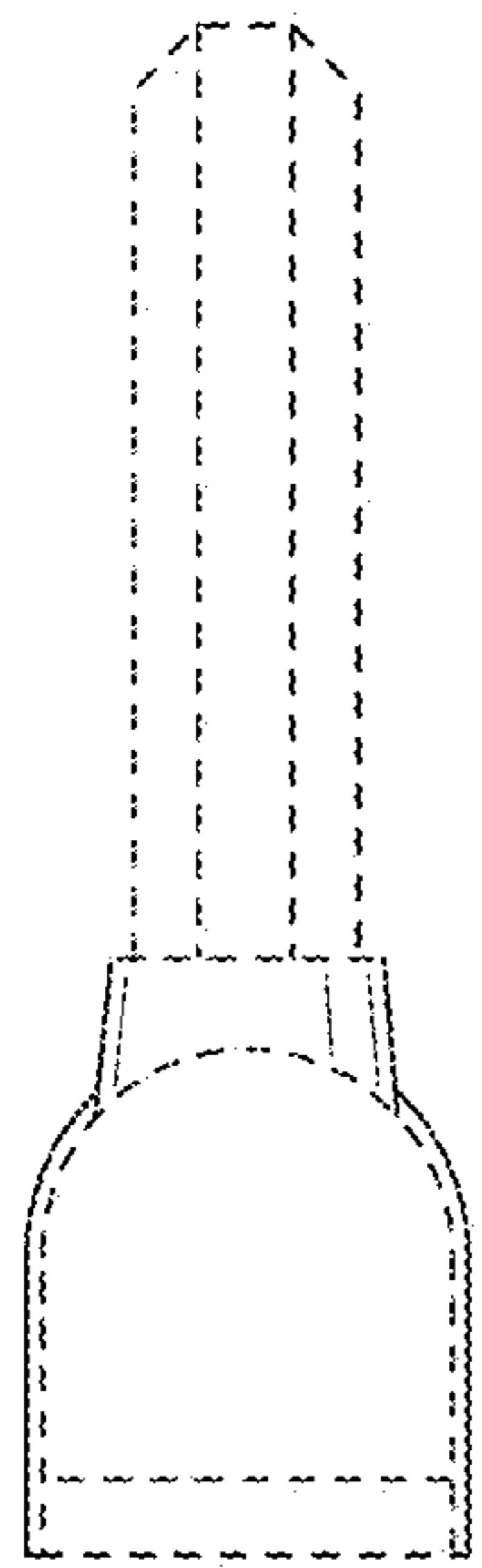


FIG. 11

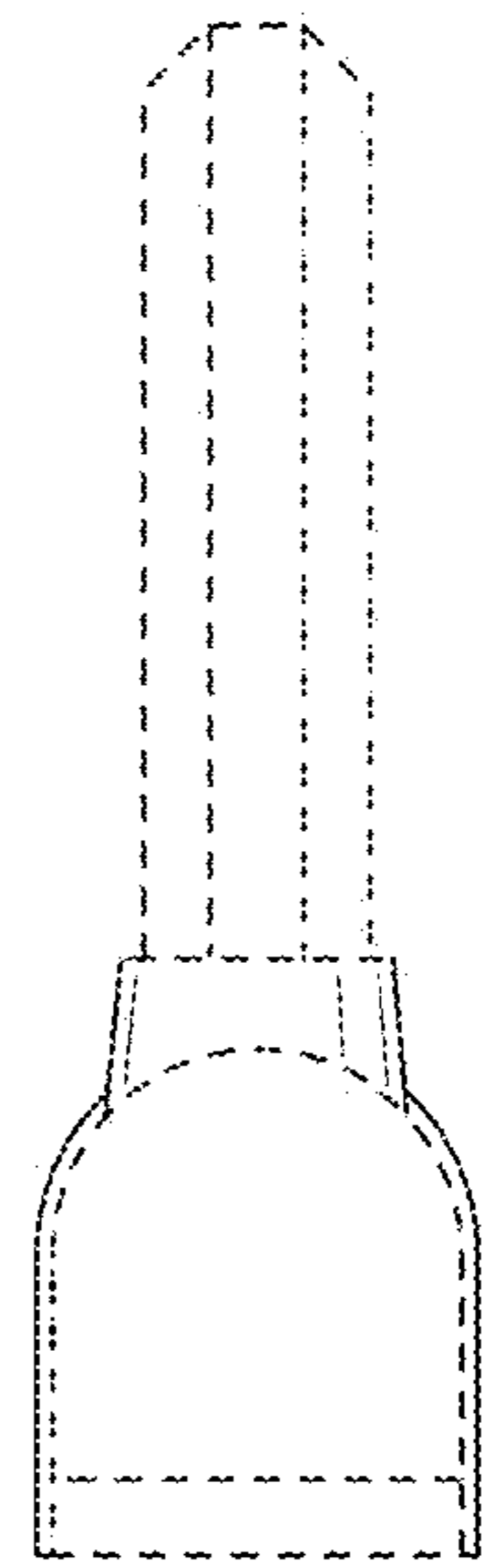


FIG. 12

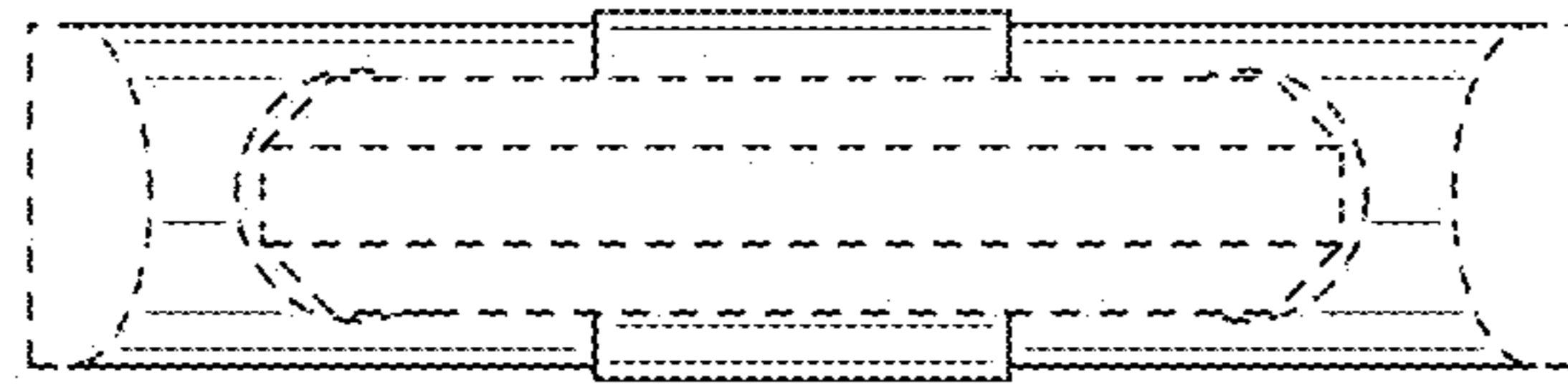


FIG. 13



FIG. 14