



US00D720202S

(12) **United States Design Patent**  
**Gokcebay et al.**

(10) **Patent No.:** **US D720,202 S**

(45) **Date of Patent:** **\*\* Dec. 30, 2014**

(54) **ROTATABLE KNOB FOR AN ELECTRONIC  
CAM LOCK**

(56) **References Cited**

U.S. PATENT DOCUMENTS

(71) Applicant: **Security People, Inc.**, Petaluma, CA  
(US)

3,187,528	A *	6/1965	Check	70/299
4,748,833	A *	6/1988	Nagasawa	70/214
4,901,545	A *	2/1990	Bacon et al.	70/278.3
5,033,292	A *	7/1991	Dennis	73/115.05
D337,041	S *	7/1993	Carl	D8/331
D405,345	S *	2/1999	Hankel et al.	D8/331
6,058,746	A *	5/2000	Mirshafiee et al.	70/107
D485,154	S *	1/2004	Chen	D8/331
D580,739	S *	11/2008	Pelletier et al.	D8/331
D683,205	S *	5/2013	Cramer et al.	D8/331
D686,056	S *	7/2013	Li	D8/338
8,495,898	B2	7/2013	Gokcebay	
D693,666	S *	11/2013	Gianoli et al.	D8/330

(72) Inventors: **Asil T. Gokcebay**, Petaluma, CA (US);  
**Julian Peck**, San Rafael, CA (US); **Kelly  
Kodama**, Walnut Creek, CA (US)

(73) Assignee: **Security People, Inc.**, Petaluma, CA  
(US)

(\*\*) Term: **14 Years**

\* cited by examiner

(21) Appl. No.: **29/469,359**

*Primary Examiner* — Prabhakar Deshmukh

(74) *Attorney, Agent, or Firm* — Thomas M. Freiburger

(22) Filed: **Oct. 9, 2013**

(57) **CLAIM**

The ornamental design for a rotatable knob for an electronic cam lock, substantially as shown and described.

(51) **LOC (10) Cl.** ..... **08-07**

(52) **U.S. Cl.**  
USPC ..... **D8/331**

**DESCRIPTION**

(58) **Field of Classification Search**  
CPC ..... E05B 3/00; E05B 49/00; E05C 1/00;  
E05C 1/08; E05C 3/00; E05C 3/002  
USPC ..... D8/330, 331, 336, 338, 339, 340, 343;  
70/14, 2, 51, 57, 57.1, 91, 107, 141,  
70/78, 278.1, 266, 127, 447, 214; 292/2,  
292/32, 137, 288, 289, 290, 292, 197, 195,  
292/198, 257

FIG. 1 is a front left perspective view of a first embodiment of a rotatable knob for an electronic cam lock according to our new design;

FIG. 2 is a top plan view thereof;

FIG. 3 is a left side view thereof;

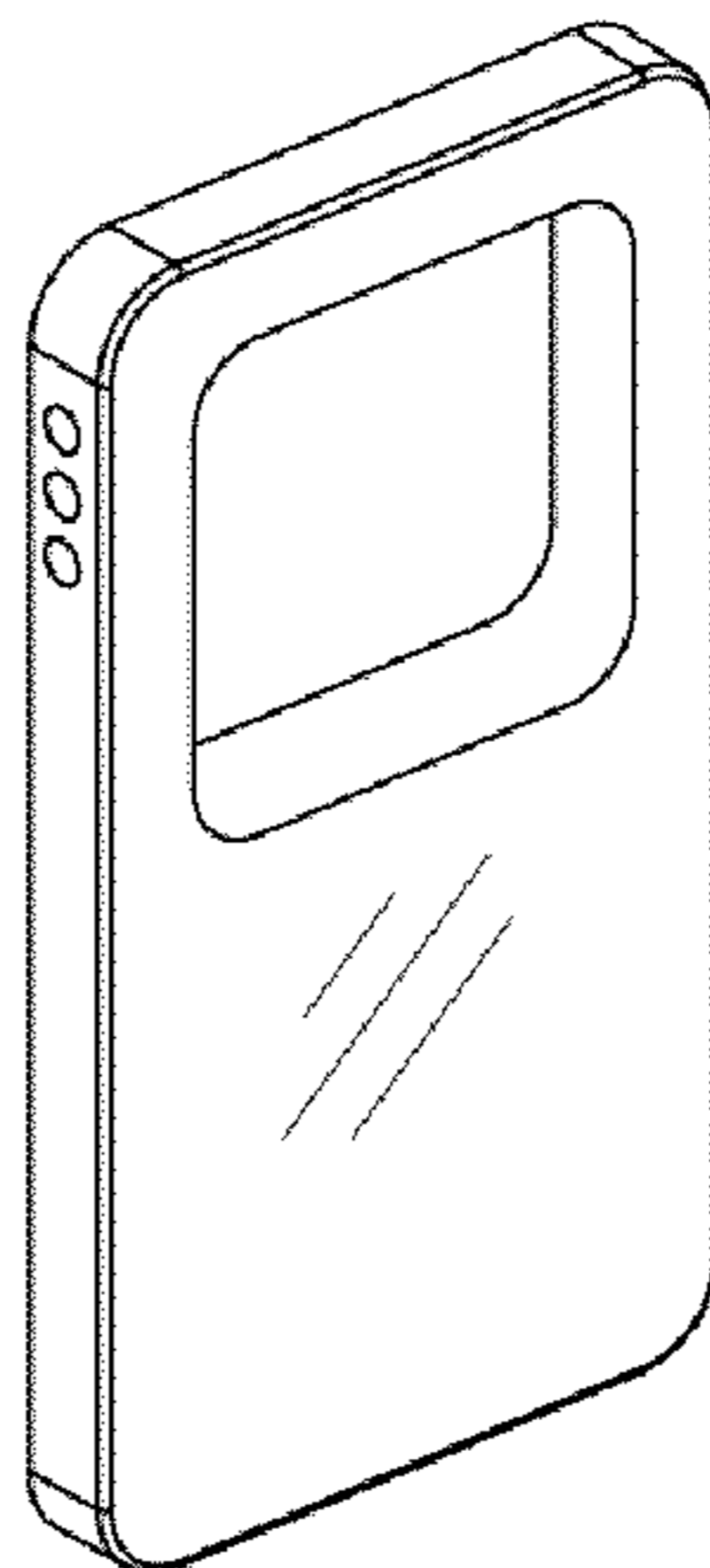
FIG. 4 is a front elevation view thereof;

FIG. 5 is a right side view thereof; and,

FIG. 6 is a bottom plan view thereof.

See application file for complete search history.

**1 Claim, 1 Drawing Sheet**



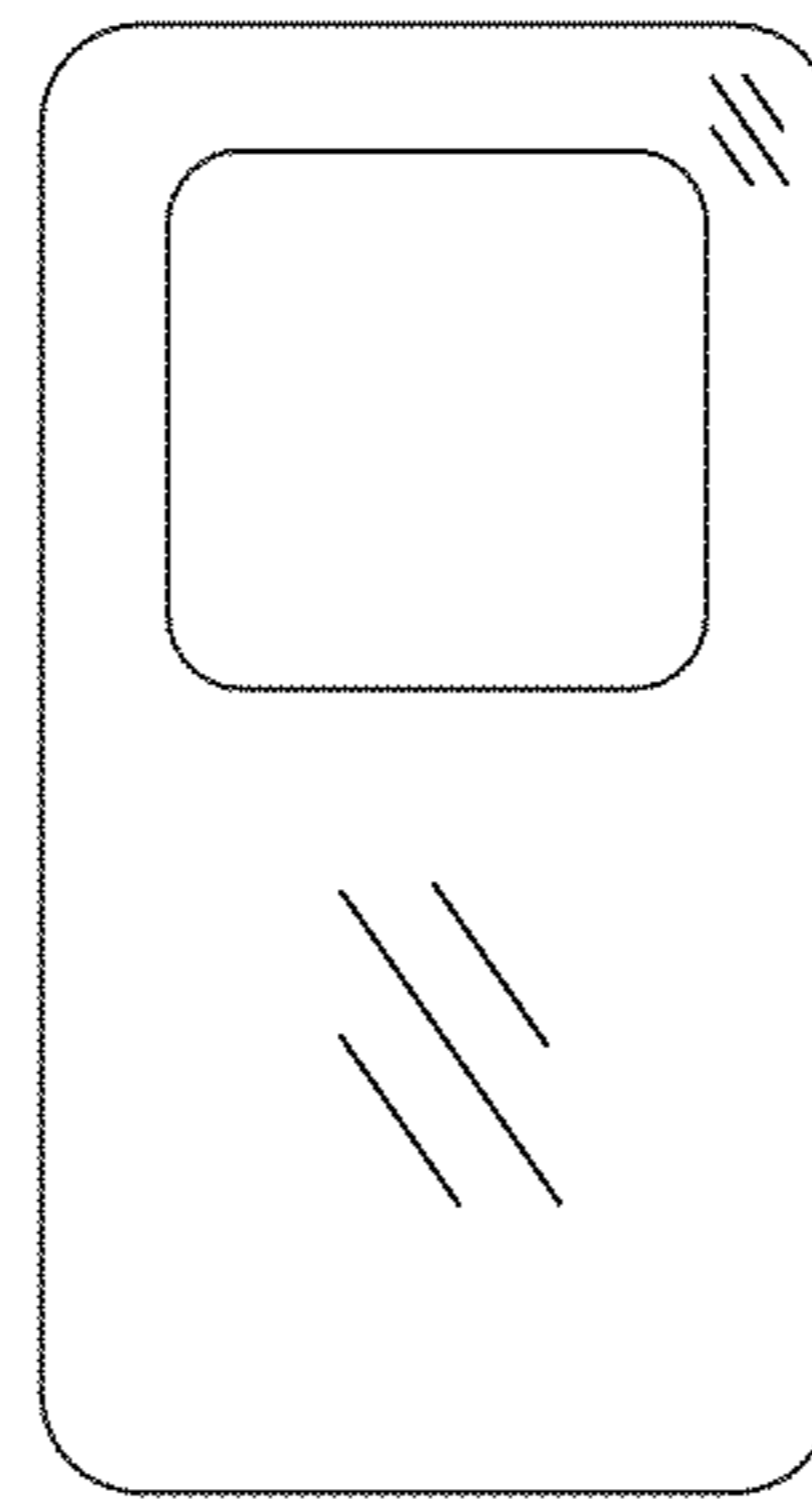
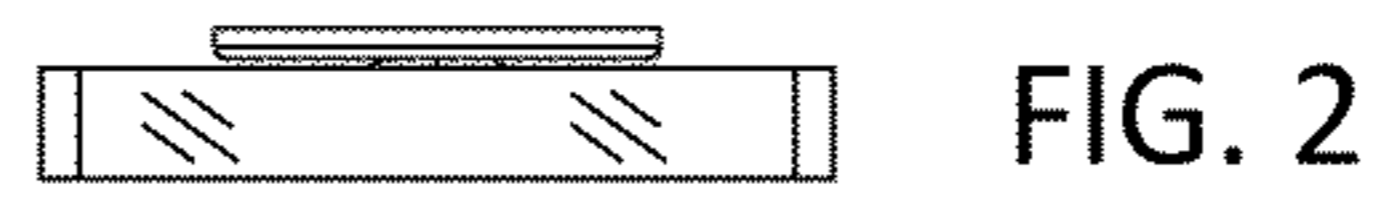
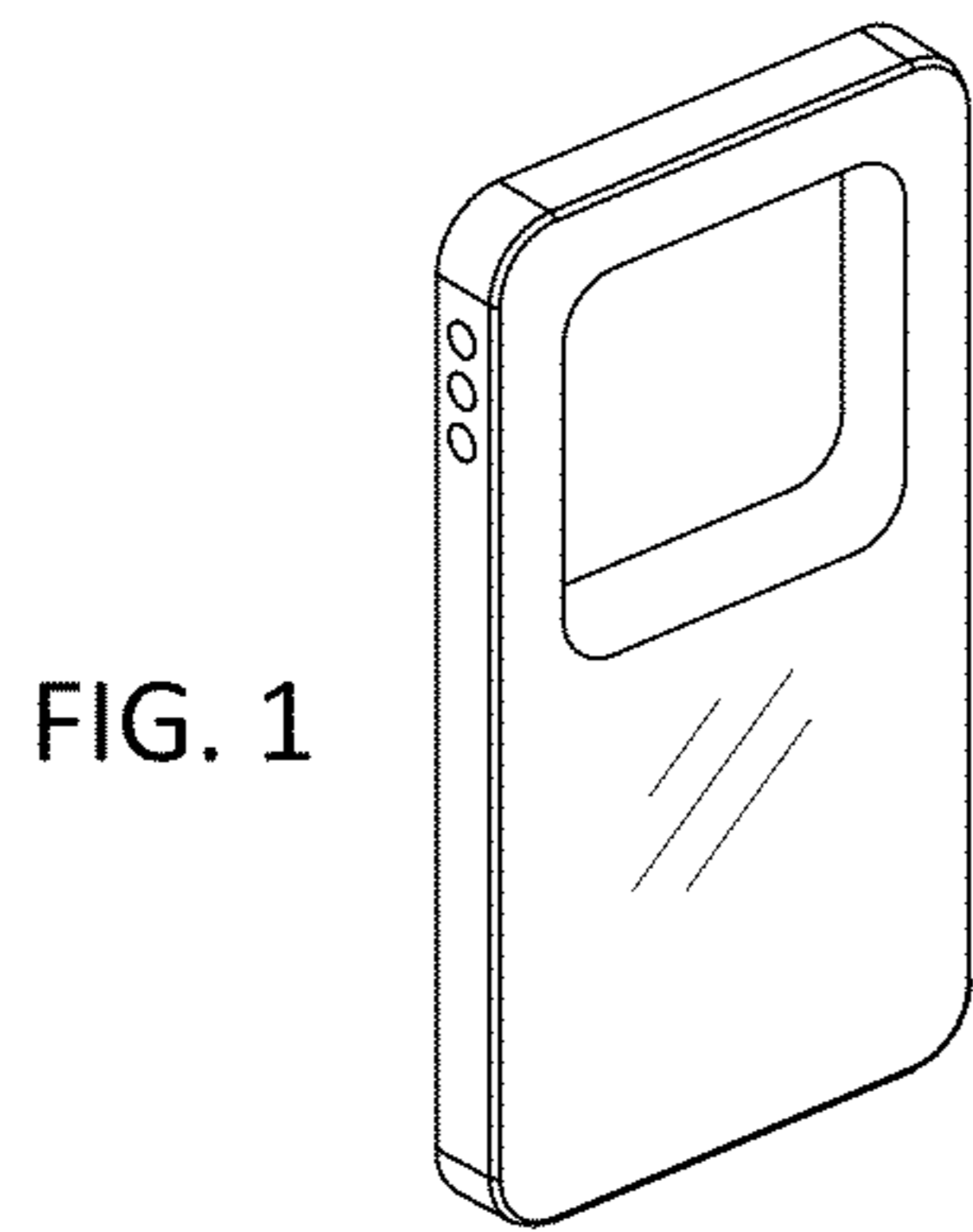


FIG. 3

FIG. 4

FIG. 5

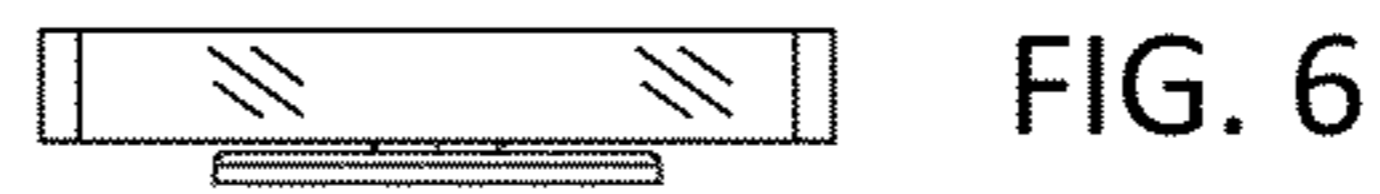


FIG. 6