

US00D720200S

(12) **United States Design Patent**  
**Gokcebay et al.**

(10) **Patent No.:** **US D720,200 S**

(45) **Date of Patent:** **\*\* Dec. 30, 2014**

(54) **ROTATABLE KNOB FOR AN ELECTRONIC CAM LOCK**

(71) Applicant: **Security People, Inc.**, Petaluma, CA (US)

(72) Inventors: **Asil T. Gokcebay**, Petaluma, CA (US);  
**Julian Peck**, San Rafael, CA (US); **Kelly Kodama**, Walnut Creek, CA (US)

(73) Assignee: **Security People, Inc.**, Petaluma, CA (US)

(\*\*) Term: **14 Years**

(21) Appl. No.: **29/469,341**

(22) Filed: **Oct. 9, 2013**

(51) **LOC (10) Cl.** ..... **08-07**

(52) **U.S. Cl.**  
USPC ..... **D8/331**

(58) **Field of Classification Search**  
CPC ..... E05B 3/00; E05B 49/00; E05C 1/00;  
E05C 1/08; E05C 3/002  
USPC ..... D8/330, 331, 336, 338, 339, 340, 343;  
70/14, 2, 51, 57, 57.1, 91, 107, 141,  
70/78, 278.1, 266, 127, 447, 214; 292/2,  
292/32, 137, 288, 289, 290, 292, 197, 195,  
292/198, 257

See application file for complete search history.

(56) **References Cited**

U.S. PATENT DOCUMENTS

3,187,528 A \* 6/1965 Check ..... 70/299  
4,748,833 A \* 6/1988 Nagasawa ..... 70/214  
4,901,545 A \* 2/1990 Bacon et al. .... 70/278.3

5,033,292 A \* 7/1991 Dennis ..... 73/115.05  
D337,041 S \* 7/1993 Carl ..... D8/331  
D405,345 S \* 2/1999 Hankel et al. .... D8/331  
6,058,746 A \* 5/2000 Mirshafiee et al. .... 70/107  
D485,154 S \* 1/2004 Chen ..... D8/331  
D580,739 S \* 11/2008 Pelletier et al. .... D8/331  
D683,205 S \* 5/2013 Cramer et al. .... D8/331  
D686,056 S \* 7/2013 Li ..... D8/338  
8,495,898 B2 7/2013 Gokcebay  
D693,666 S \* 11/2013 Gianoli et al. .... D8/330

\* cited by examiner

*Primary Examiner* — Prabhakar Deshmukh

(74) *Attorney, Agent, or Firm* — Thomas M. Freiburger

(57) **CLAIM**

The ornamental design for a rotatable knob for an electronic cam lock, substantially as shown and described.

**DESCRIPTION**

FIG. 1 is a front left perspective view of a first embodiment of a rotatable knob for an electronic cam lock according to our new design;

FIG. 2 is a top plan view thereof;

FIG. 3 is a left side view thereof;

FIG. 4 is a front elevation view thereof;

FIG. 5 is a right side view thereof;

FIG. 6 is a bottom plan view thereof;

FIG. 7 is a front left perspective view of a second embodiment of a rotatable knob for an electronic cam lock according to our new design;

FIG. 8 is a top plan view thereof;

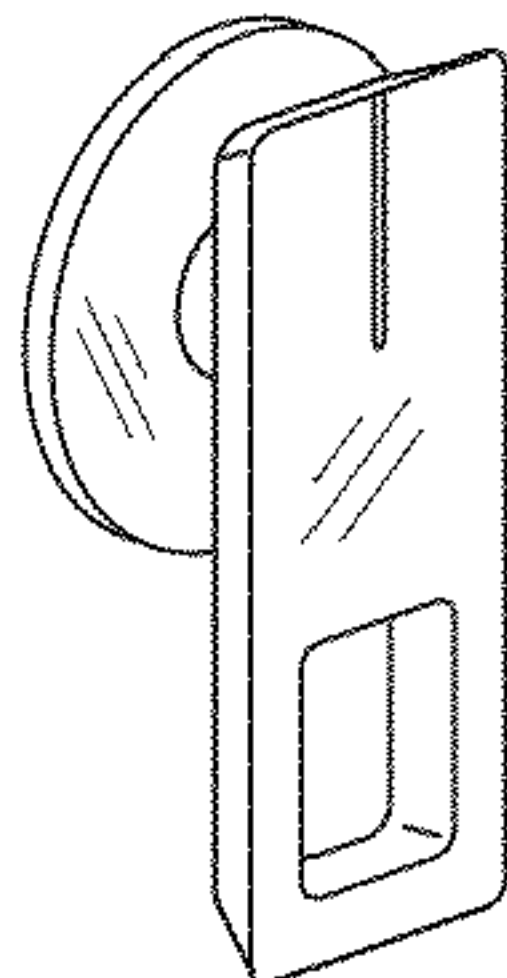
FIG. 9 is a left side view thereof;

FIG. 10 is a front elevation view thereof;

FIG. 11 is a right side view thereof; and,

FIG. 12 is a bottom plan view thereof.

**1 Claim, 1 Drawing Sheet**



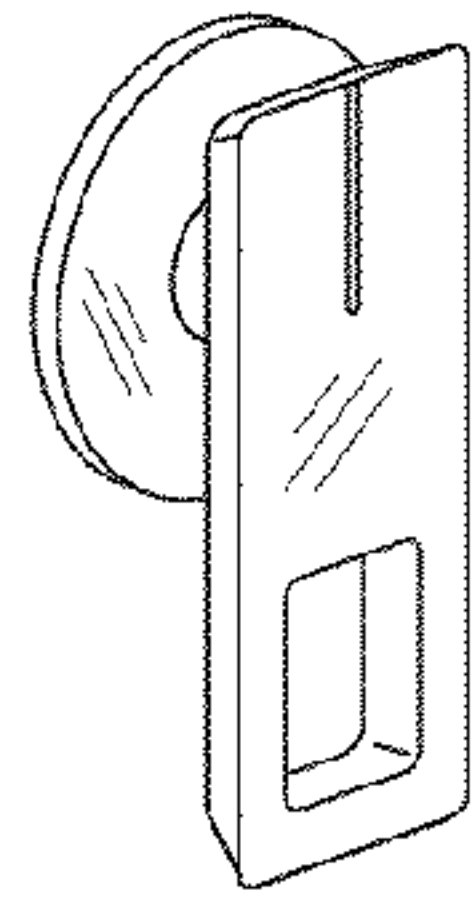


FIG. 1

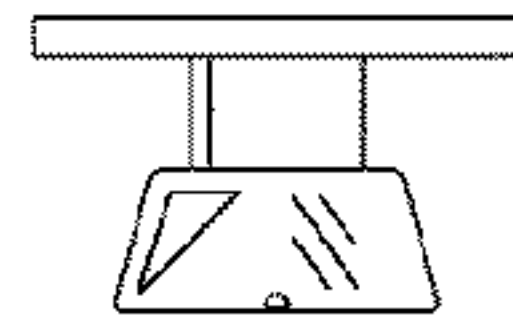


FIG. 2

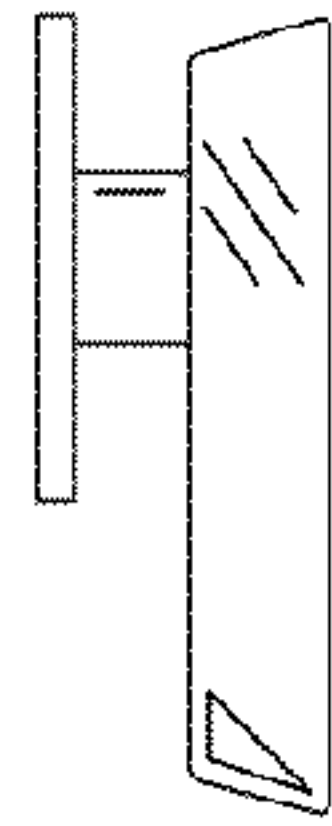


FIG. 3

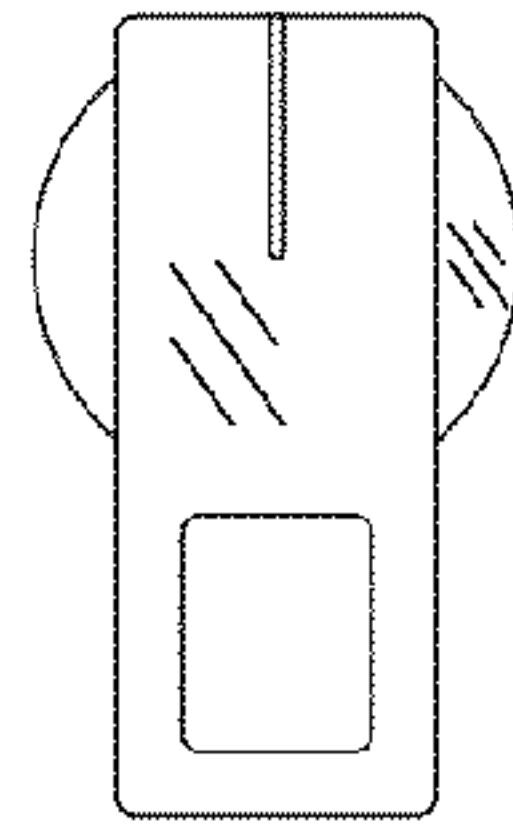


FIG. 4

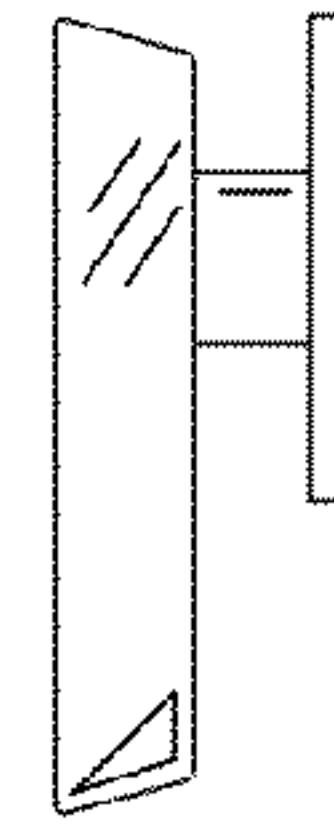


FIG. 5

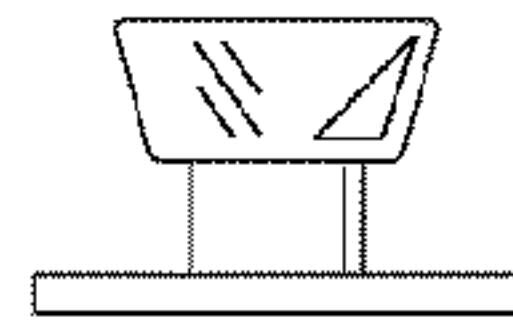


FIG. 6

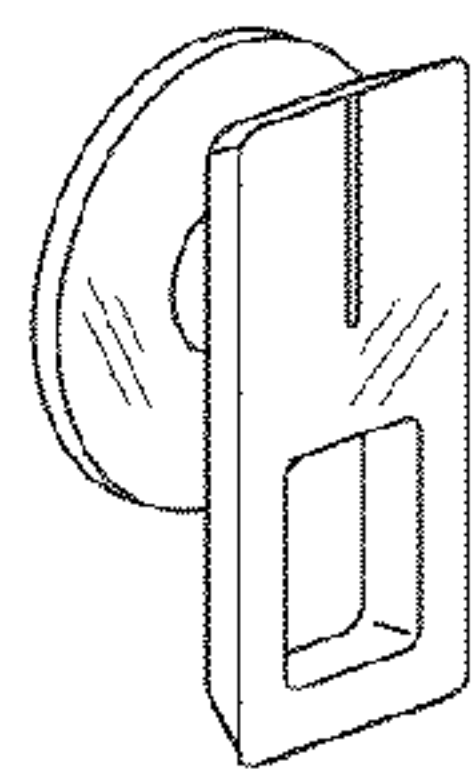


FIG. 7

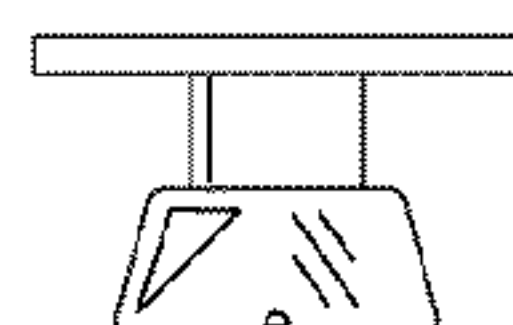


FIG. 8

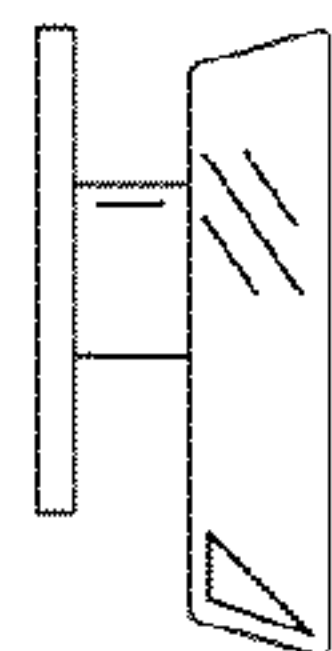


FIG. 9

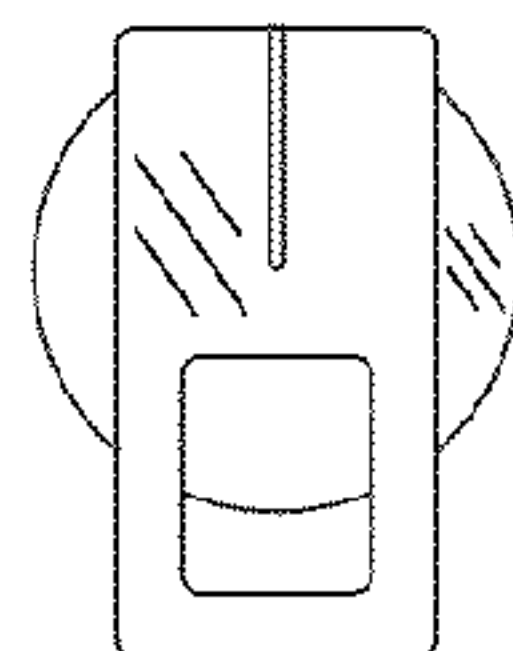


FIG. 10

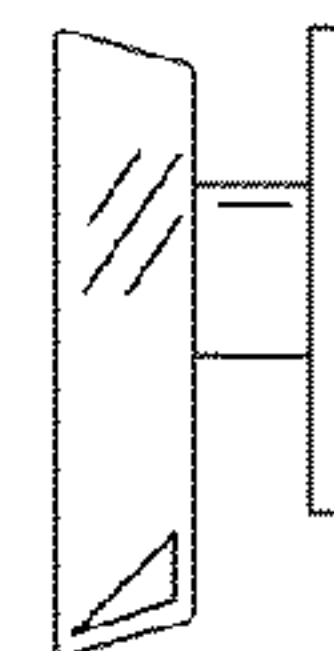


FIG. 11

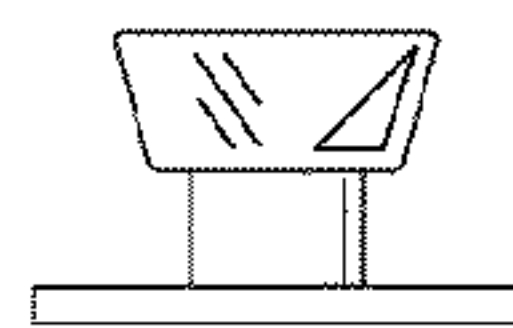


FIG. 12