



US00D720197S

(12) **United States Design Patent**  
**Oldham**

(10) **Patent No.:** **US D720,197 S**

(45) **Date of Patent:** **\*\* Dec. 30, 2014**

(54) **RING CUTTER**

(71) Applicant: **The Handy Twine Knife Company, Inc.**, Upper Sandusky, OH (US)

(72) Inventor: **Eric A. Oldham**, Kenton, OH (US)

(73) Assignee: **Handy Twine Knife Company, Inc.**, Upper Sandusky, OH (US)

(\*\*) Term: **14 Years**

(21) Appl. No.: **29/450,410**

(22) Filed: **Mar. 18, 2013**

(51) **LOC (10) Cl.** ..... **08-03**

(52) **U.S. Cl.**  
USPC ..... **D8/98**

(58) **Field of Classification Search**  
USPC ..... D8/98, 99; D2/614; 30/291, 280, 289,  
30/294, 314, 317  
See application file for complete search history.

(56) **References Cited**

**U.S. PATENT DOCUMENTS**

1,379,864	A *	5/1921	Gregory	.....	30/291
1,432,316	A *	10/1922	Binkis	.....	30/298
2,572,245	A	10/1951	Coldiron		
3,144,185	A	8/1964	Shirejian		
3,262,204	A	7/1966	Holthaus		
3,374,541	A	3/1968	Earnest, III et al.		
3,648,371	A *	3/1972	Petrosky	.....	30/298
3,749,099	A	7/1973	Cotey		
4,703,561	A	11/1987	Parisek		
5,038,479	A *	8/1991	Davis	.....	30/298
5,301,432	A *	4/1994	Richardson et al.	.....	30/298
5,588,214	A *	12/1996	Nelson	.....	30/368

6,029,356	A	2/2000	Sprinkle		
D468,985	S *	1/2003	Bradichanski	.....	D8/98
6,722,969	B2 *	4/2004	Hendrickson	.....	452/132
6,823,594	B2	11/2004	Kludjian et al.		
6,865,814	B2	3/2005	Krogsrud		
D532,440	S *	11/2006	Oas	.....	D18/7
D607,298	S *	1/2010	Lucas	.....	D8/98
2008/0066321	A1	3/2008	Vallero		
2012/0180324	A1	7/2012	Caldwell et al.		

\* cited by examiner

*Primary Examiner* — Phillip S Hyder

(74) *Attorney, Agent, or Firm* — Nixon & Vanderhye, PC

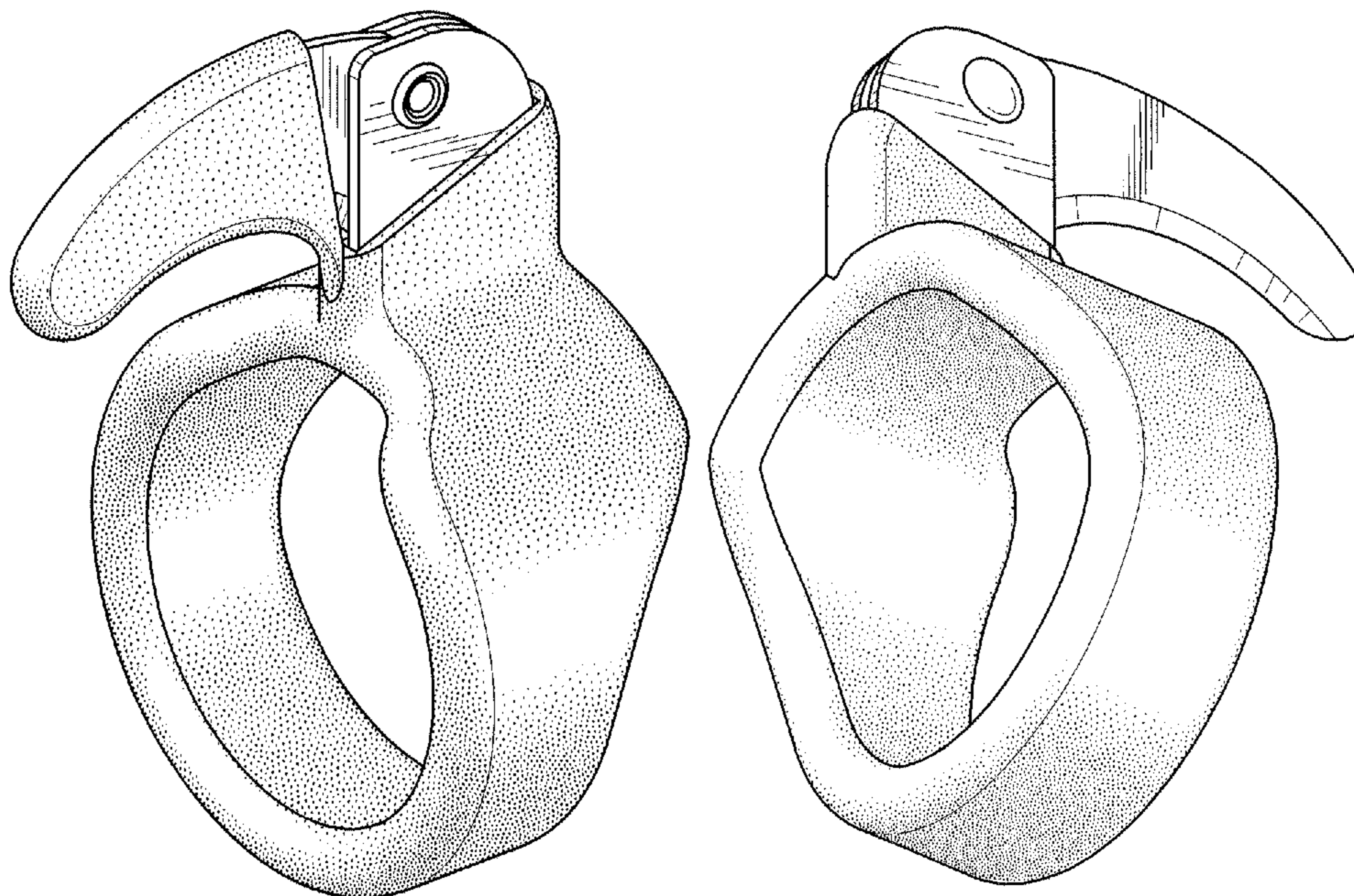
(57) **CLAIM**

The ornamental design for a ring cutter, as shown and described.

**DESCRIPTION**

FIG. 1 is a perspective view of the front and one side of the ring cutter showing my new design;  
 FIG. 2 is an elevational view of the front thereof;  
 FIG. 3 is a perspective view of the rear and the other side thereof;  
 FIG. 4 is an elevational view of the rear thereof;  
 FIG. 5 is an elevational view of the one side thereof;  
 FIG. 6 is an elevational view of the other side thereof;  
 FIG. 7 is a plan view of the top thereof;  
 FIG. 8 is a plan view of the bottom thereof;  
 FIG. 9 is a perspective view of the front and one side of the ring cutter, wherein the blade guard is removed; and,  
 FIG. 10 is a perspective view of the front and other side of the ring cutter, wherein the blade guard is removed.

**1 Claim, 6 Drawing Sheets**



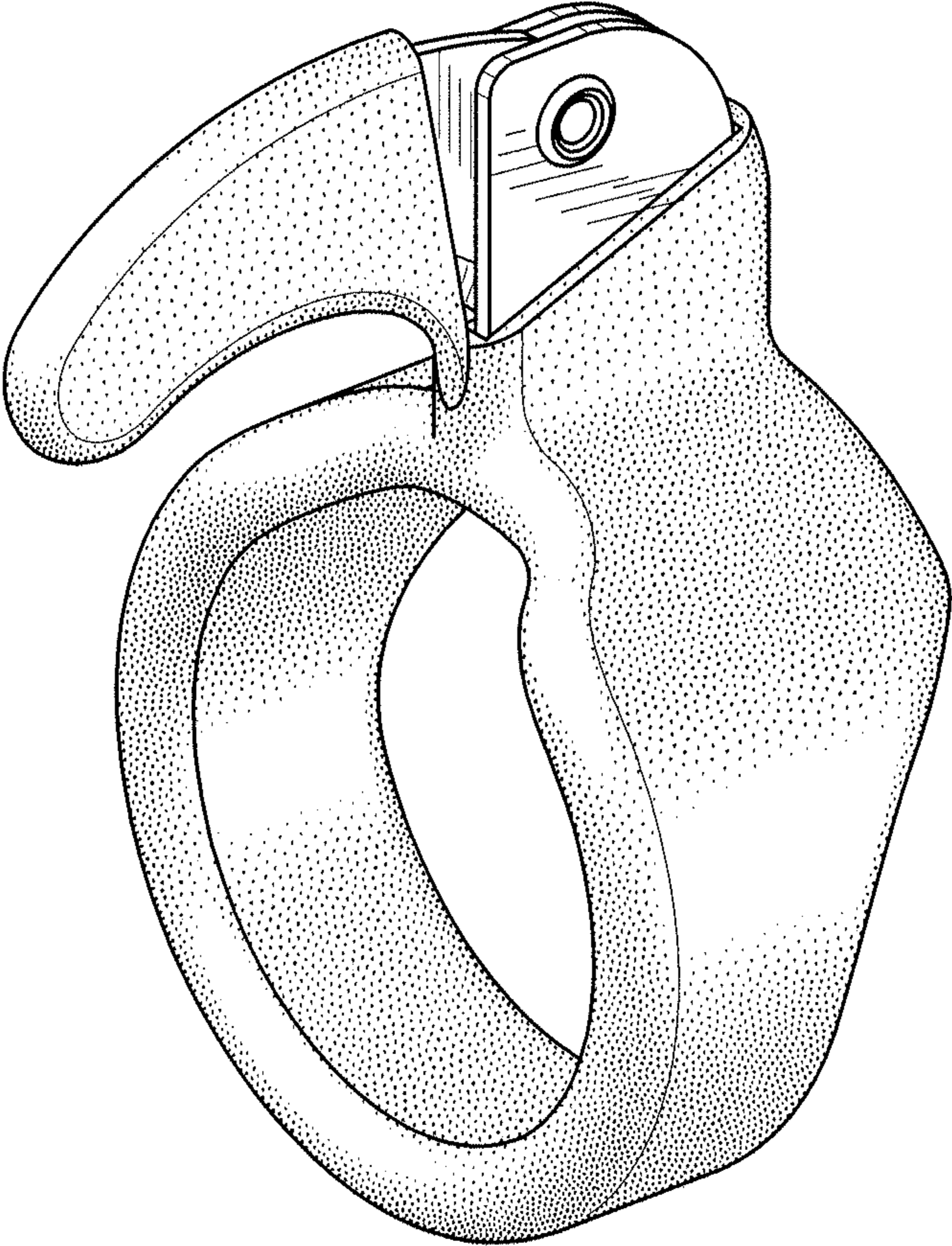


FIG. 1

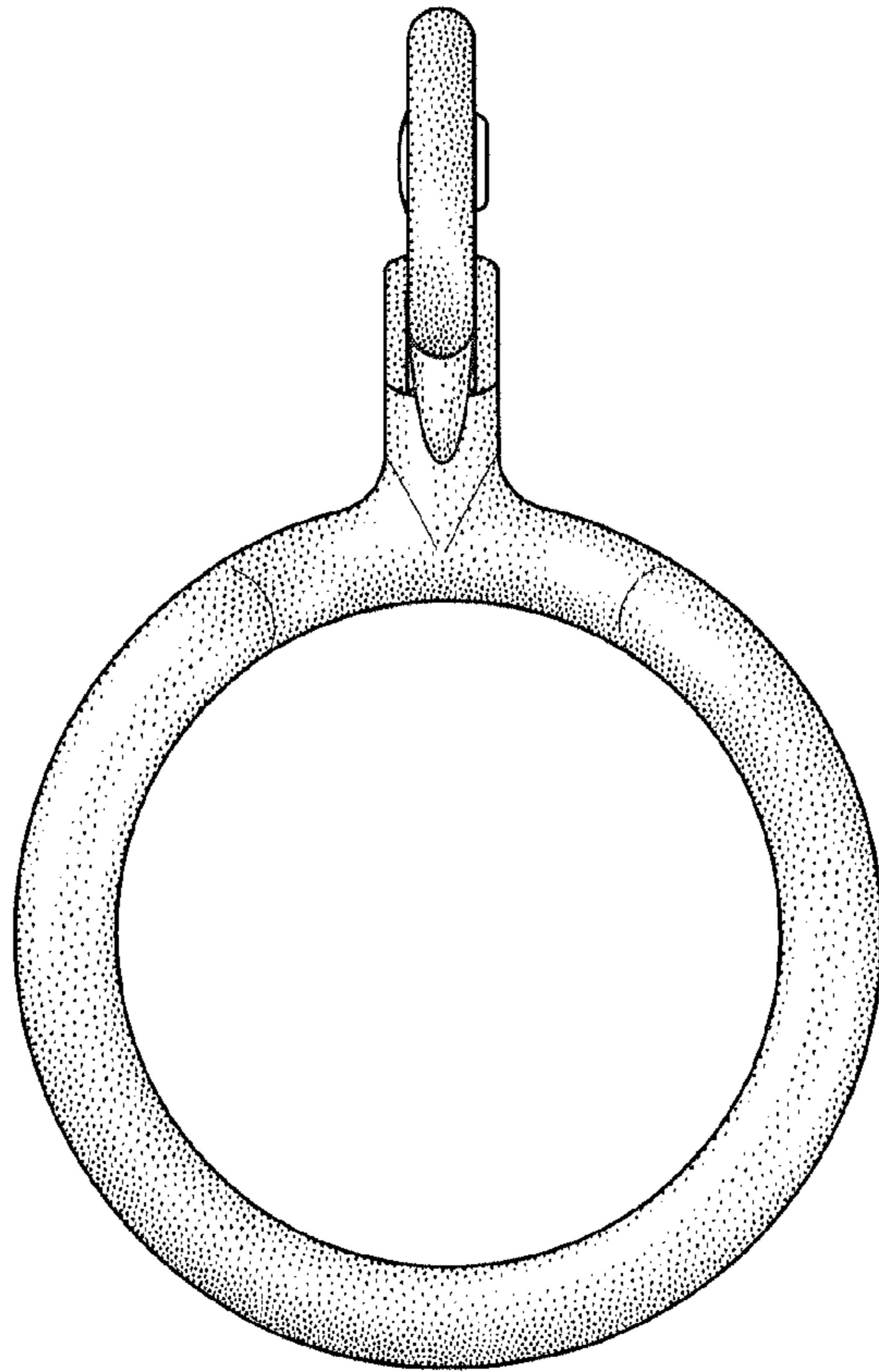


FIG. 2

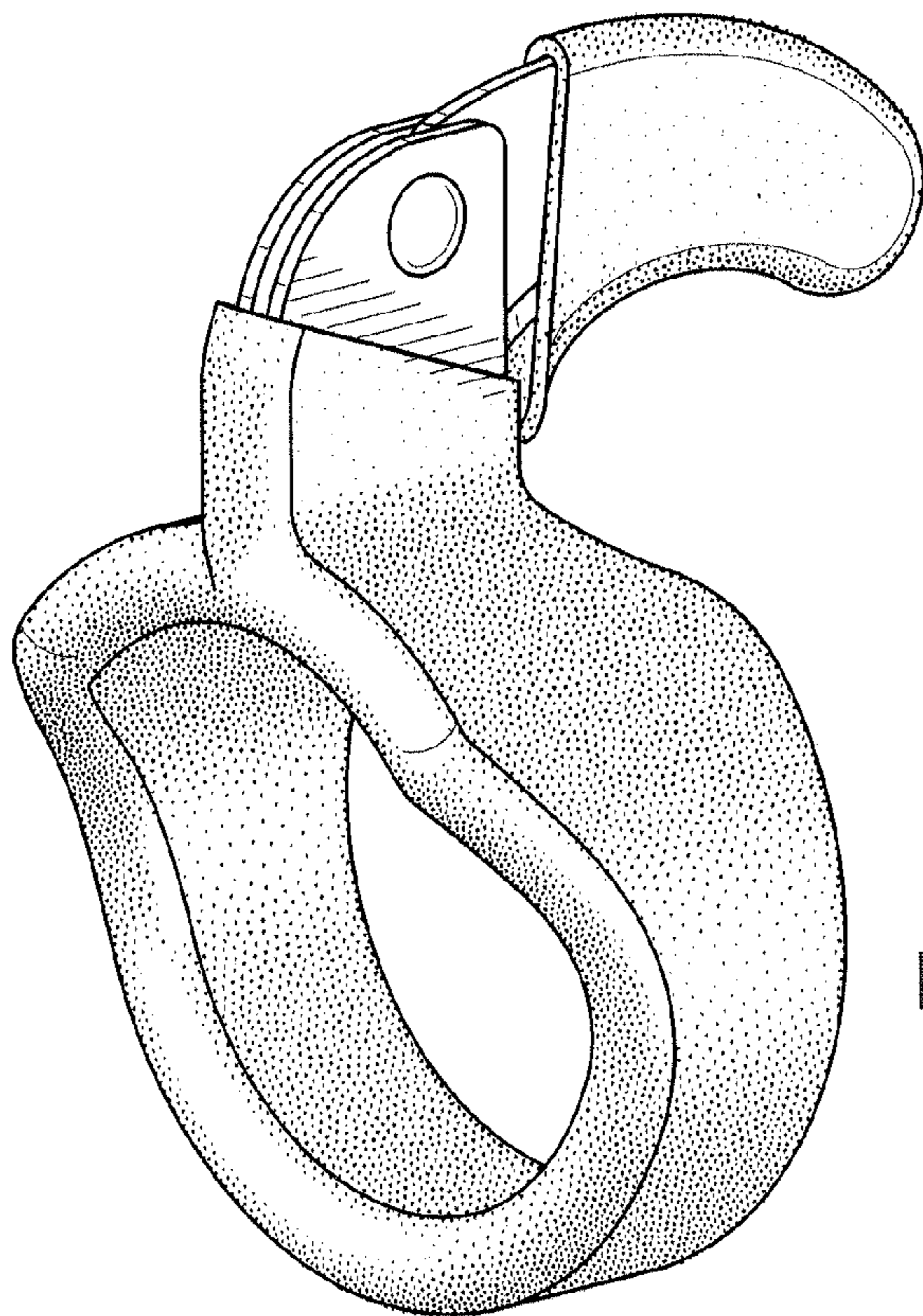


FIG. 3

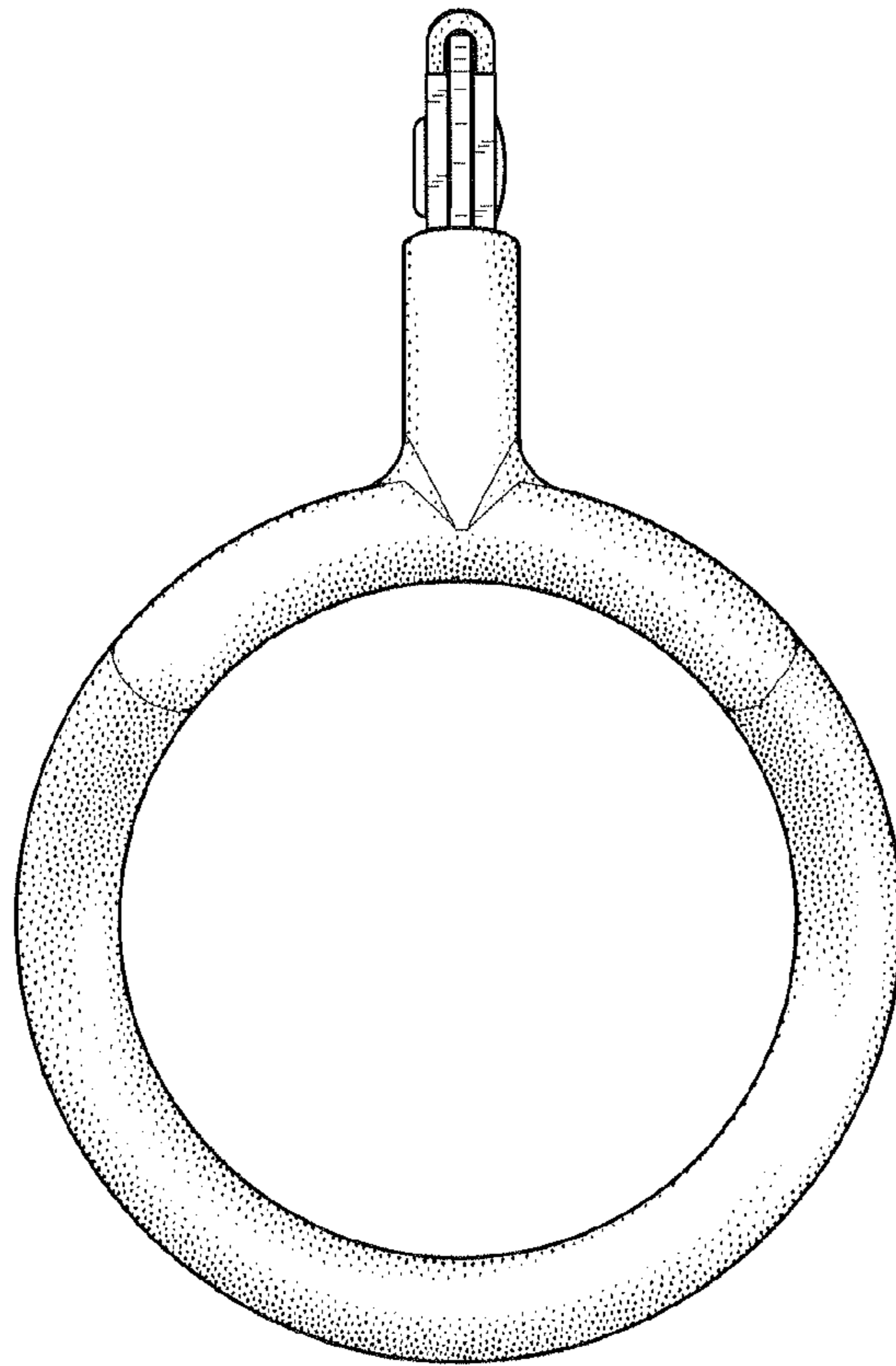


FIG. 4

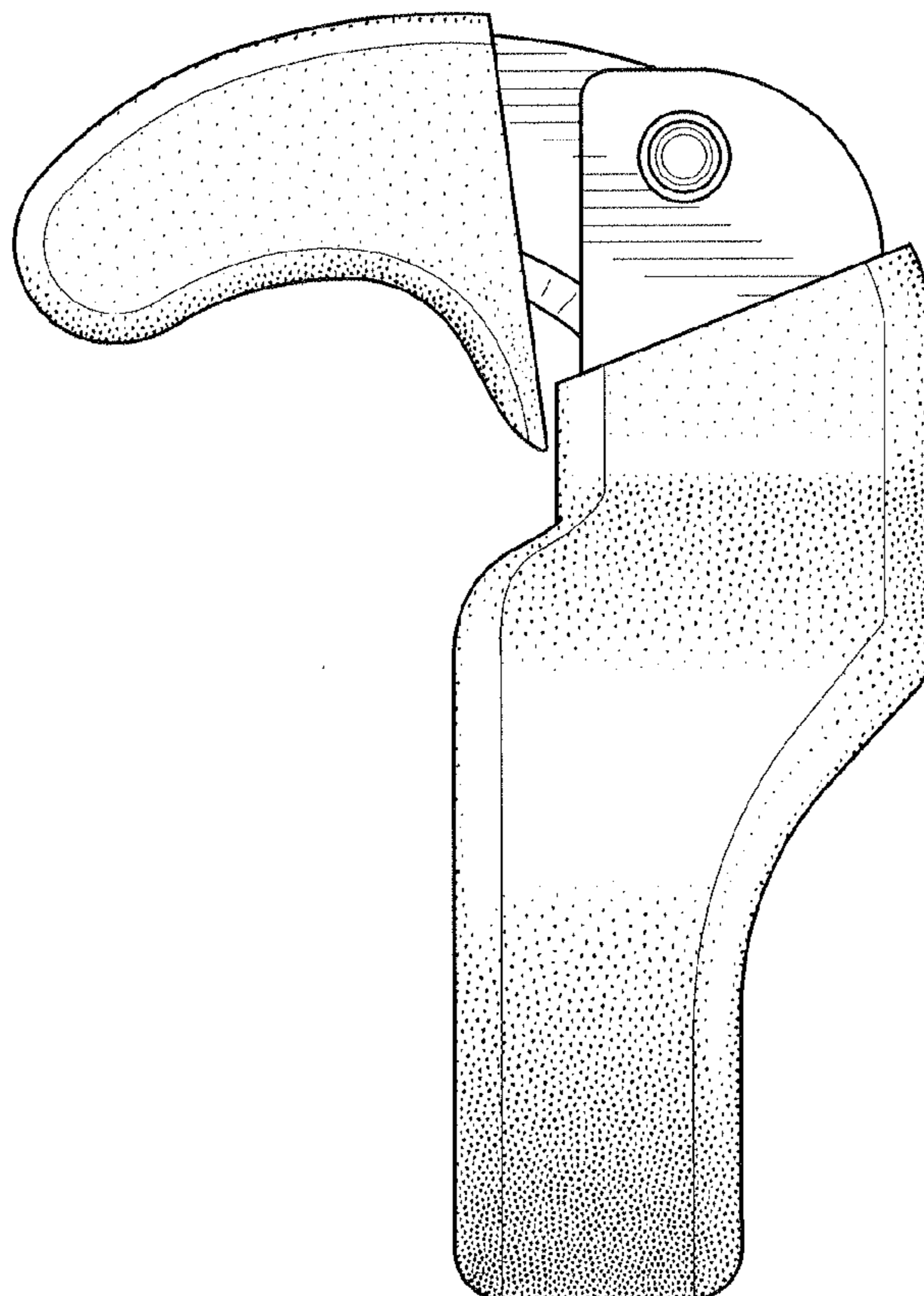


FIG. 5

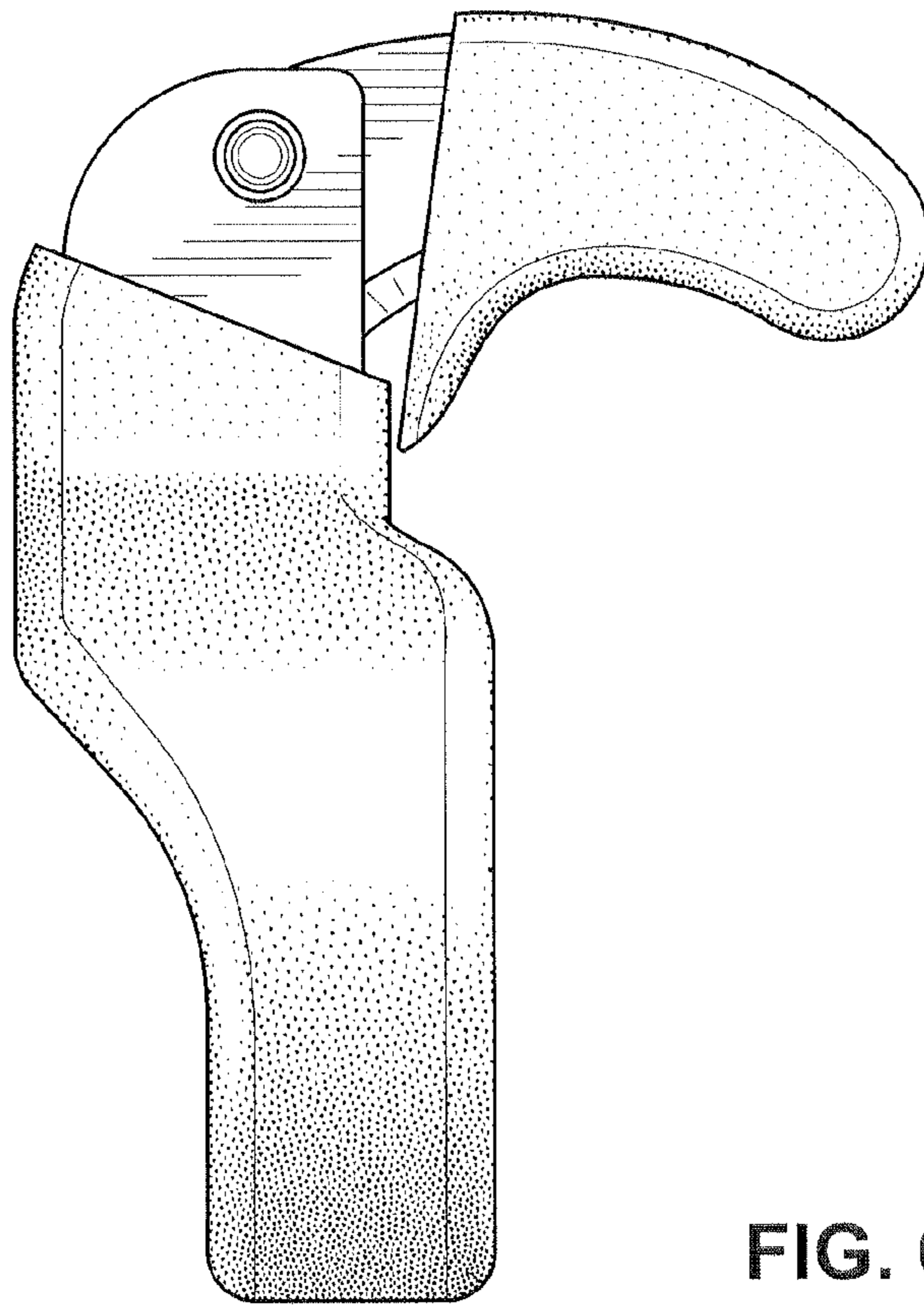


FIG. 6

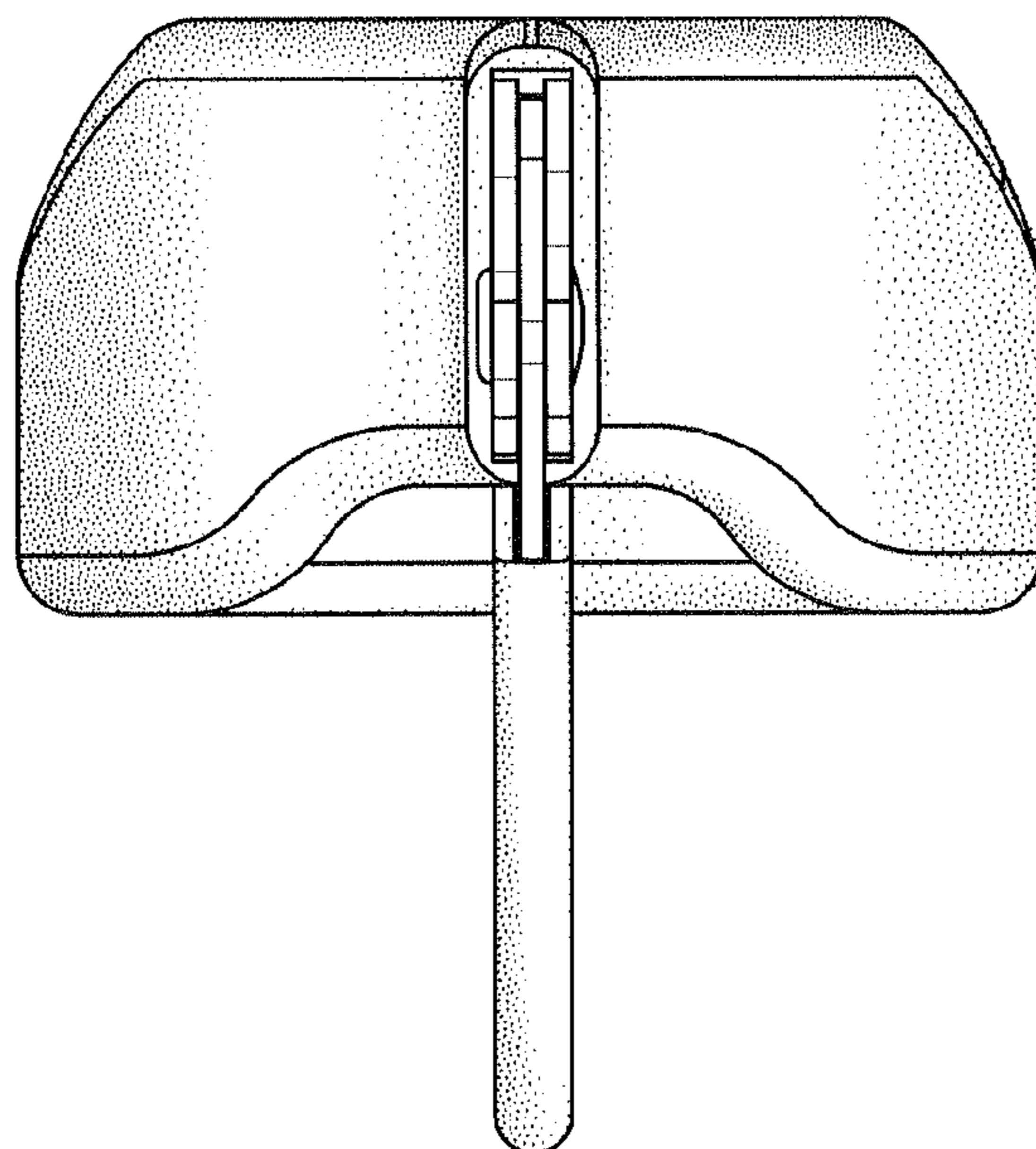


FIG. 7

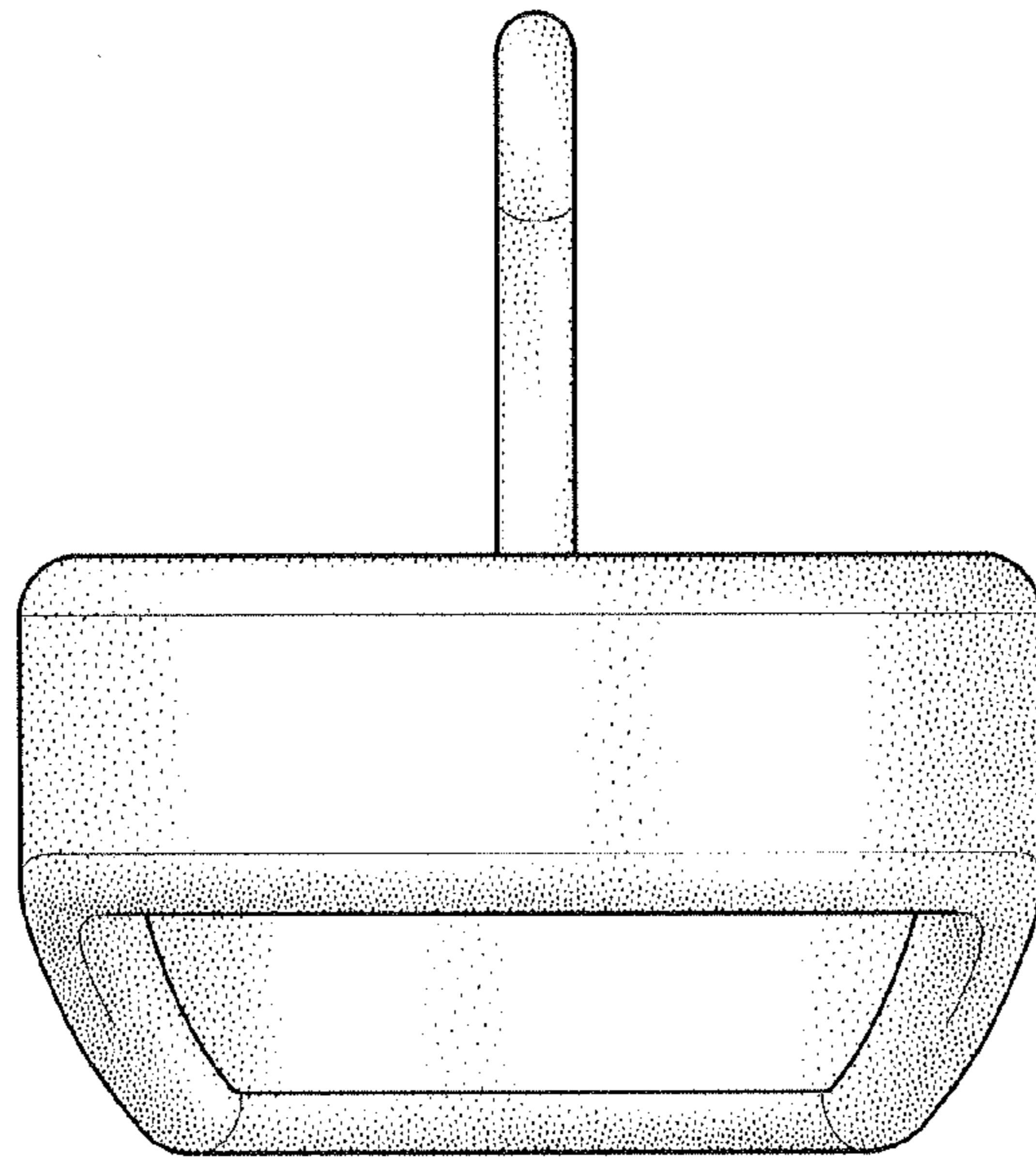


FIG. 8

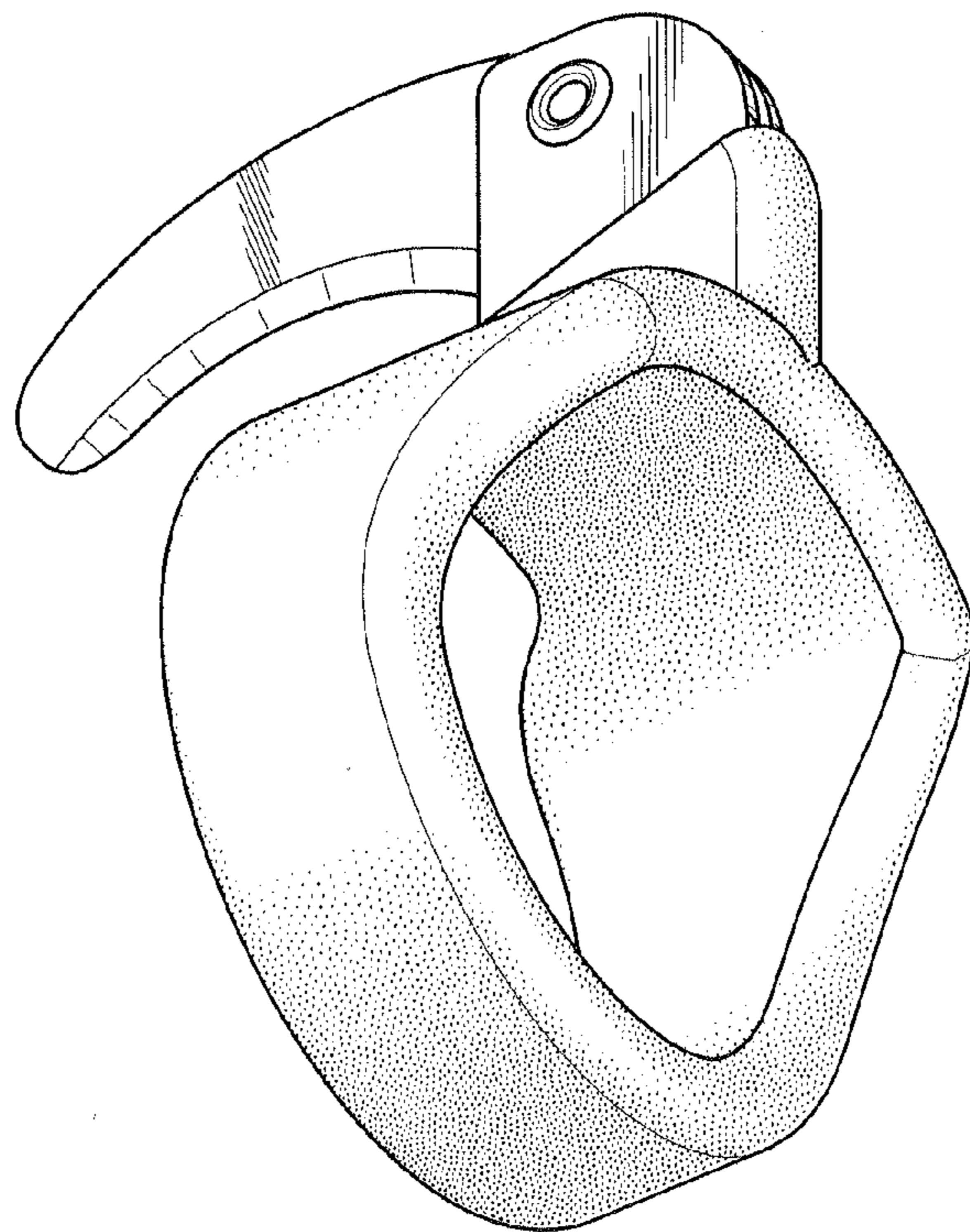


FIG. 9

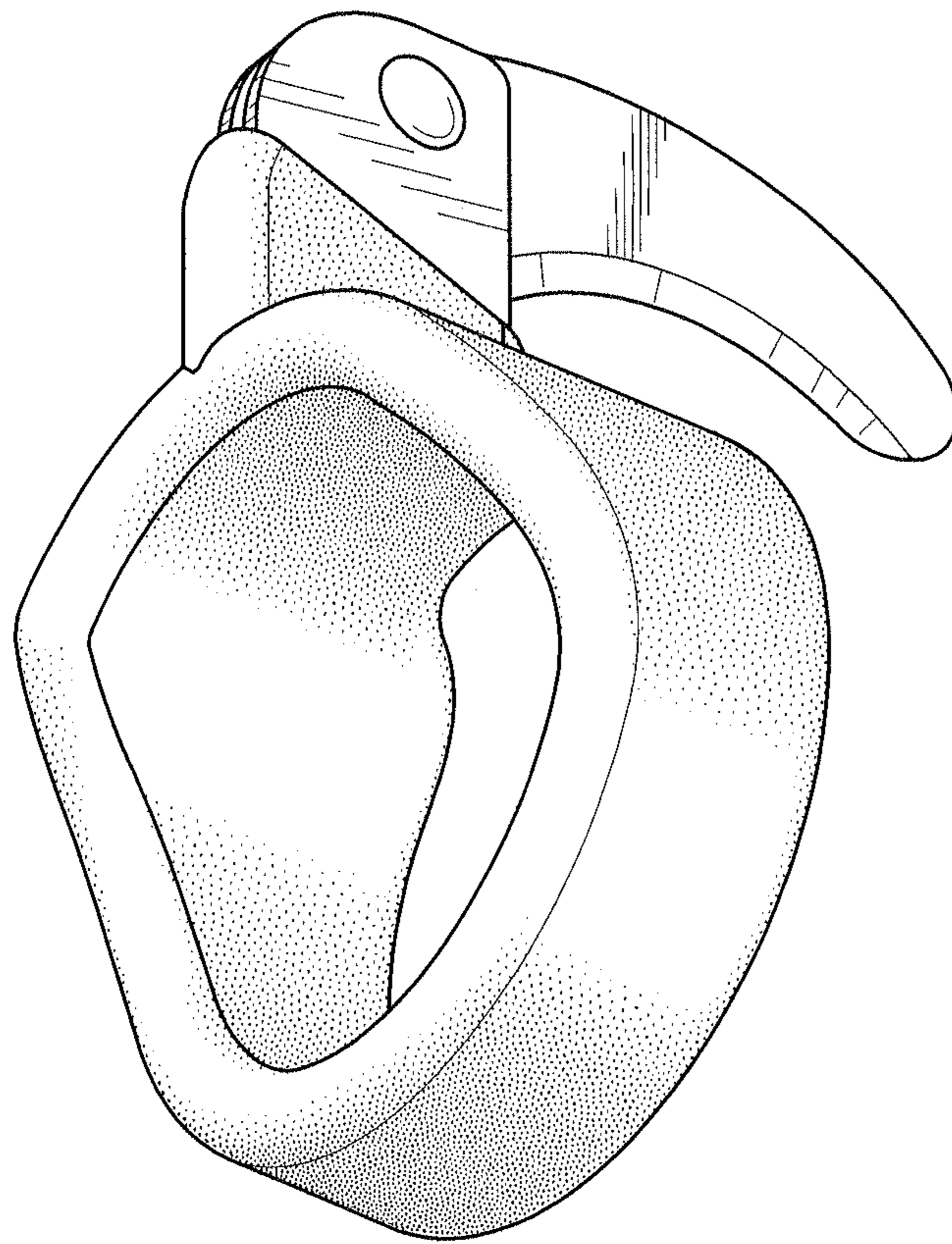


FIG. 10