



US00D720196S

(12) **United States Design Patent**
Hsiao

(10) **Patent No.:** **US D720,196 S**

(45) **Date of Patent:** **** Dec. 30, 2014**

(54) **ELECTRIC GRINDER**

(71) Applicant: **We Cheer Industrial Co., Ltd.**,
Taichung (TW)

(72) Inventor: **Shu-Wen Hsiao**, Taichung (TW)

(73) Assignee: **We Cheer Industrial Co., Ltd.**,
Taichung (TW)

(**) Term: **14 Years**

(21) Appl. No.: **29/476,233**

(22) Filed: **Dec. 12, 2013**

(51) **LOC (10) Cl.** **08-01**

(52) **U.S. Cl.**
USPC **D8/61**

(58) **Field of Classification Search**
USPC D8/61, 62, 67, 69; 81/57, 57.11, 57.14,
81/57.26, 429, 464, 469; 173/2, 170, 176,
173/181

See application file for complete search history.

(56) **References Cited**

U.S. PATENT DOCUMENTS

D310,160 S *	8/1990	Patel	D8/61
6,000,478 A *	12/1999	Hsiao	173/205
D418,729 S *	1/2000	Snider	D8/61
D423,897 S *	5/2000	Cooper	D8/61
D427,040 S *	6/2000	Heun	D8/61
D427,870 S *	7/2000	Heun	D8/61
D433,905 S *	11/2000	Cooper	D8/61
D437,758 S *	2/2001	Heun	D8/61
D446,431 S *	8/2001	Lui	D8/61

D459,176 S *	6/2002	Duennes	D8/61
D466,776 S *	12/2002	Hsiao	D8/62
D469,671 S *	2/2003	Prell et al.	D8/61
D491,031 S *	6/2004	Davis et al.	D8/61
D502,071 S *	2/2005	Snider	D8/61
D510,848 S *	10/2005	Singh et al.	D8/61
D551,044 S *	9/2007	Mochida et al.	D8/61
D556,000 S *	11/2007	Singh et al.	D8/61
D565,916 S *	4/2008	Chen	D8/61
D569,205 S *	5/2008	Lai	D8/61
D580,722 S *	11/2008	Chi	D8/61
D586,195 S *	2/2009	Okuda	D8/61
D618,079 S *	6/2010	Blythe et al.	D8/61
D634,998 S *	3/2011	Garfield et al.	D8/61
D663,180 S *	7/2012	Jerome et al.	D8/61
D677,540 S *	3/2013	Meyers et al.	D8/61
D689,354 S *	9/2013	Mitchell et al.	D8/61

* cited by examiner

Primary Examiner — Austin Murphy

(74) *Attorney, Agent, or Firm* — Rosenberg, Klein & Lee

(57) **CLAIM**

The ornamental design for an electric grinder, as shown and described.

DESCRIPTION

FIG. 1 is a perspective view of electric grinder showing my new design;

FIG. 2 is a front elevation view thereof;

FIG. 3 is a rear elevation view thereof;

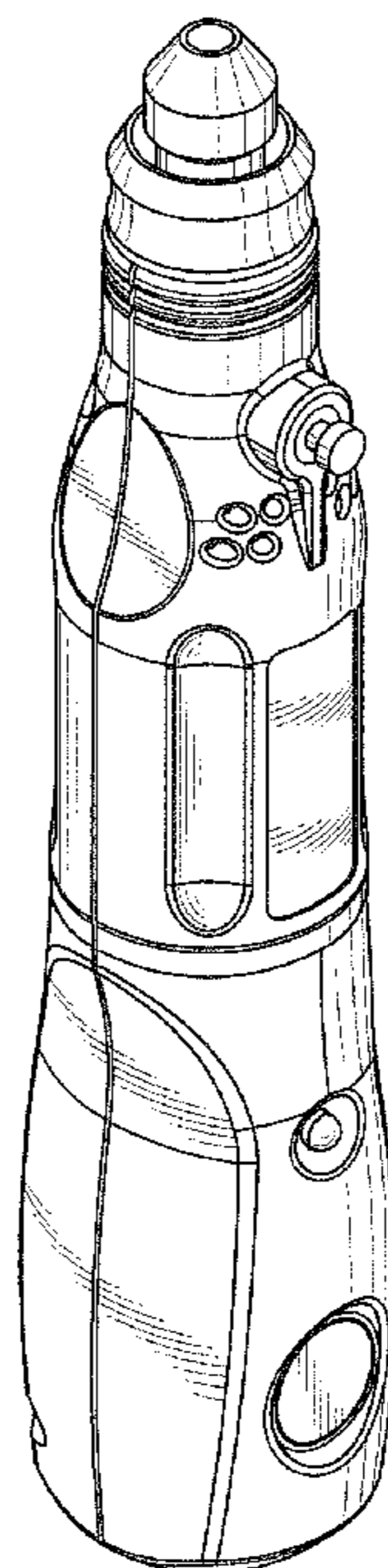
FIG. 4 is a left side elevation view thereof;

FIG. 5 is a right side elevation view thereof;

FIG. 6 is a top plan view thereof; and,

FIG. 7 is a bottom plan view thereof.

1 Claim, 4 Drawing Sheets



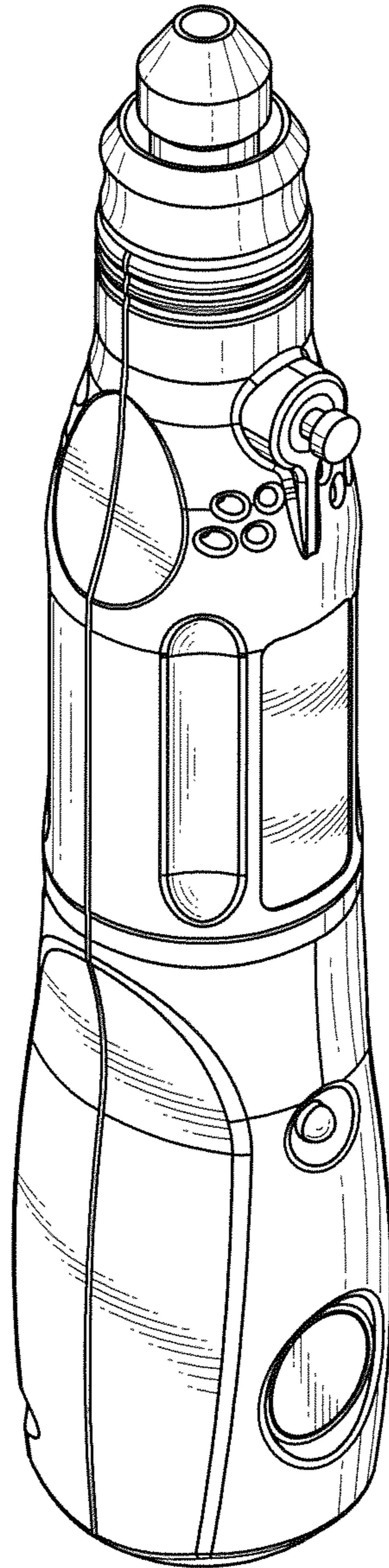


FIG. 1

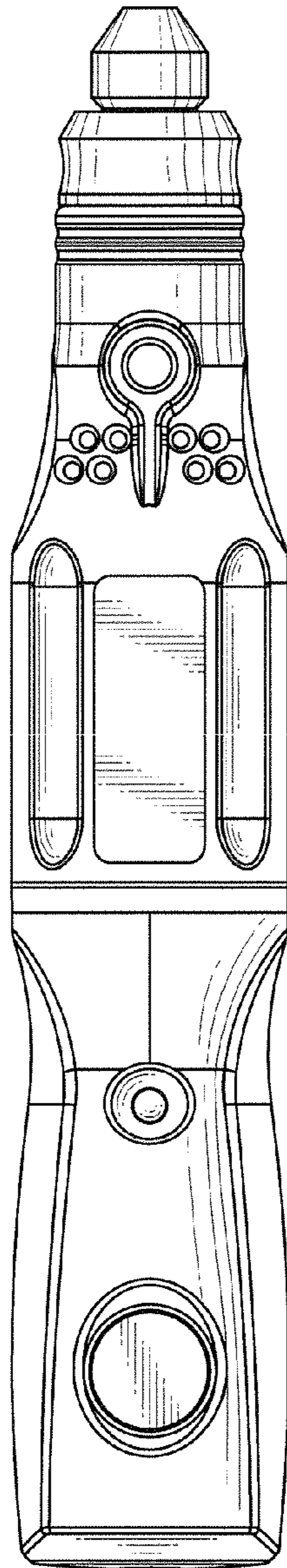


FIG. 2

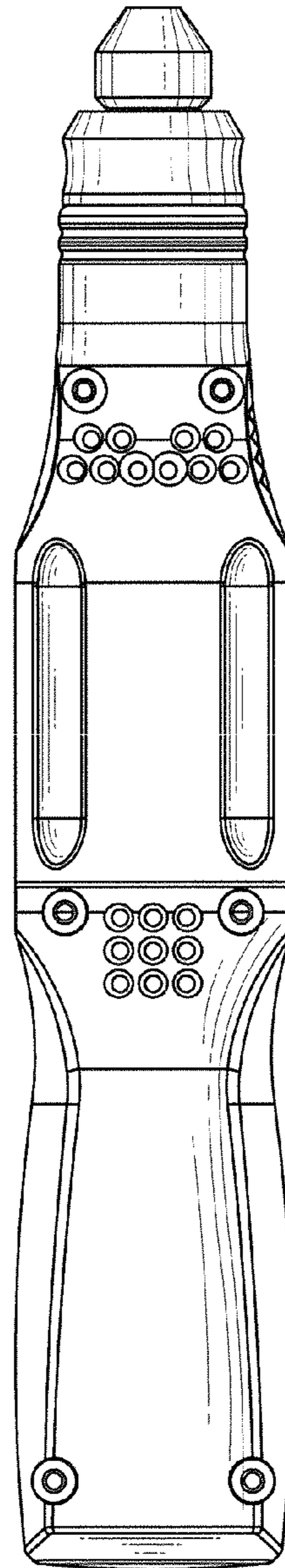


FIG. 3

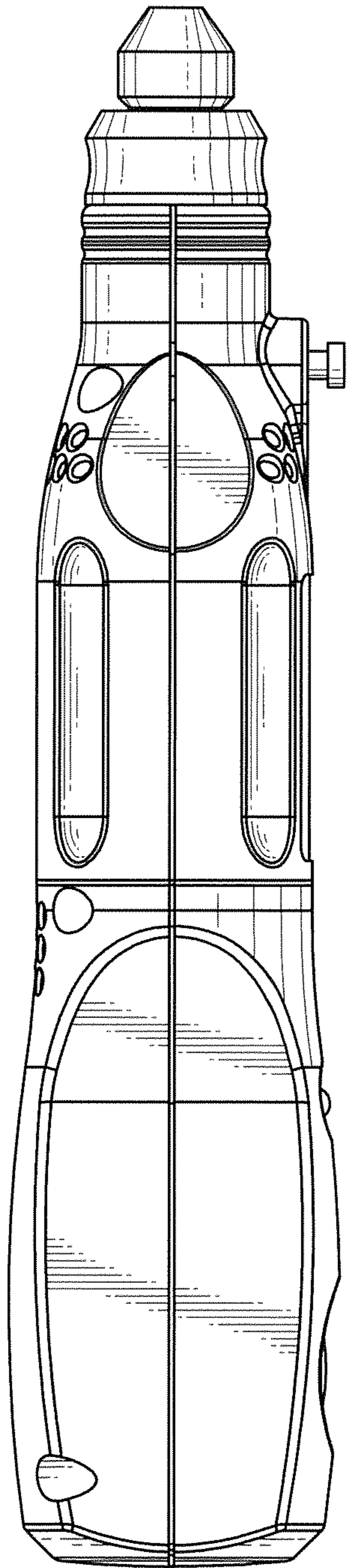


FIG. 4

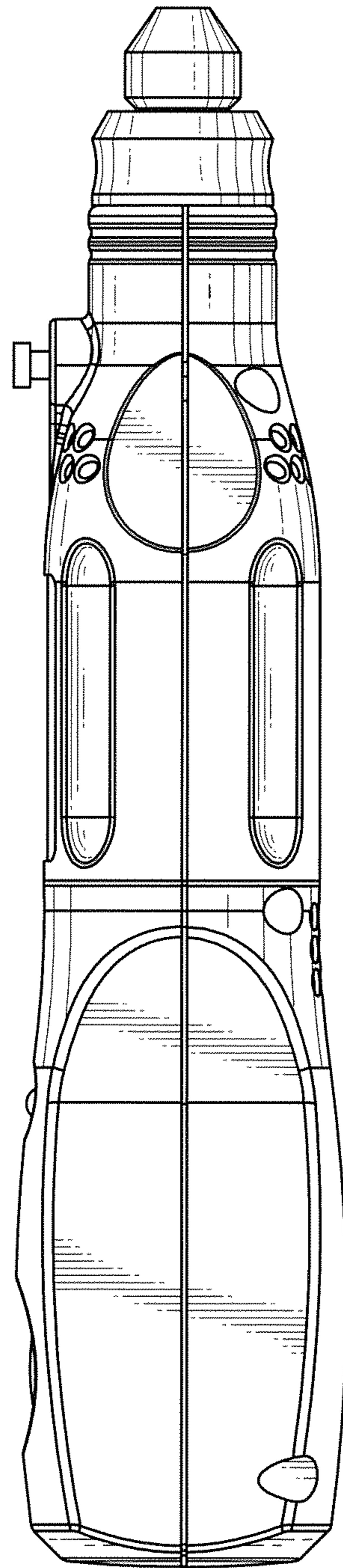


FIG. 5

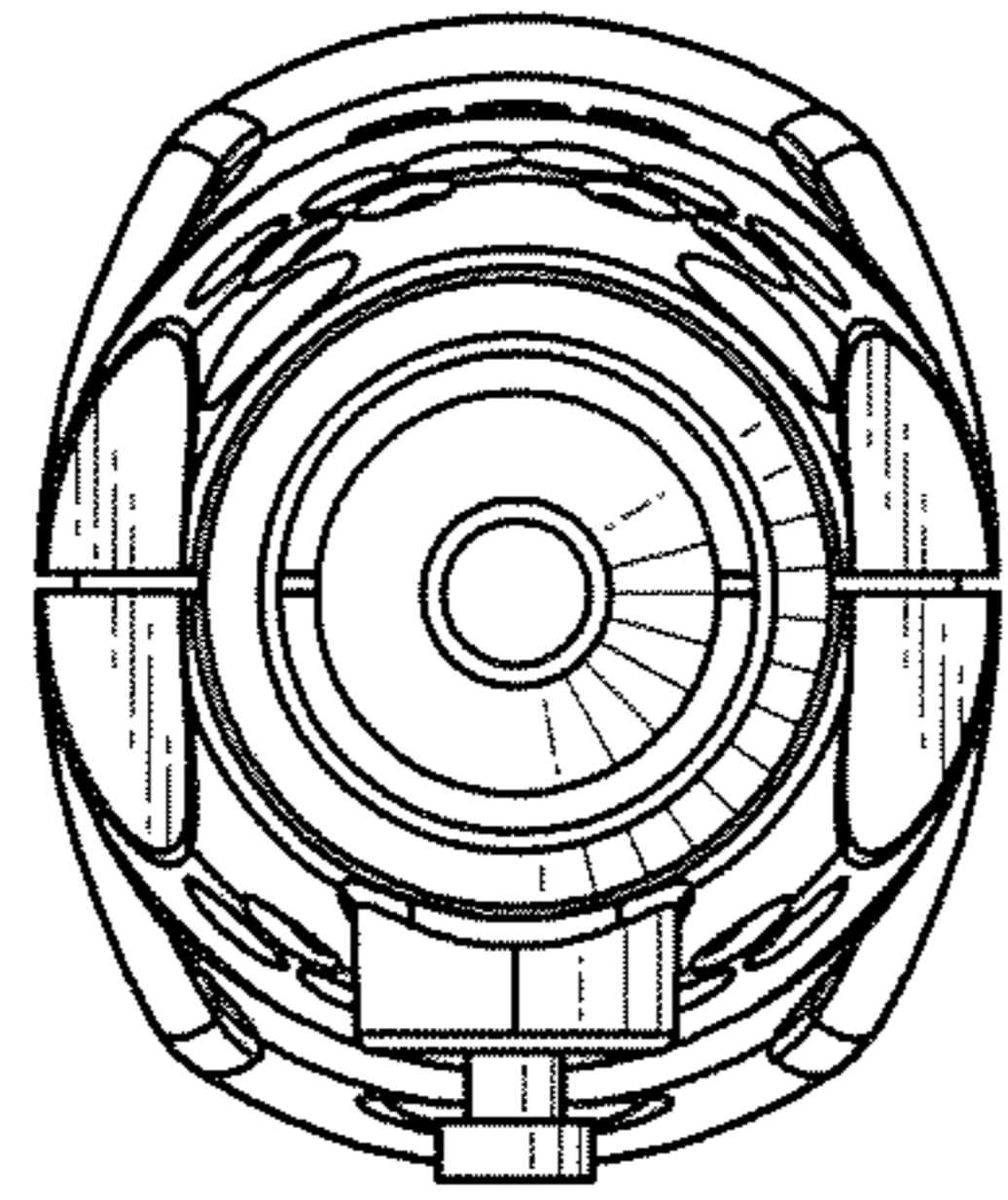


FIG. 6

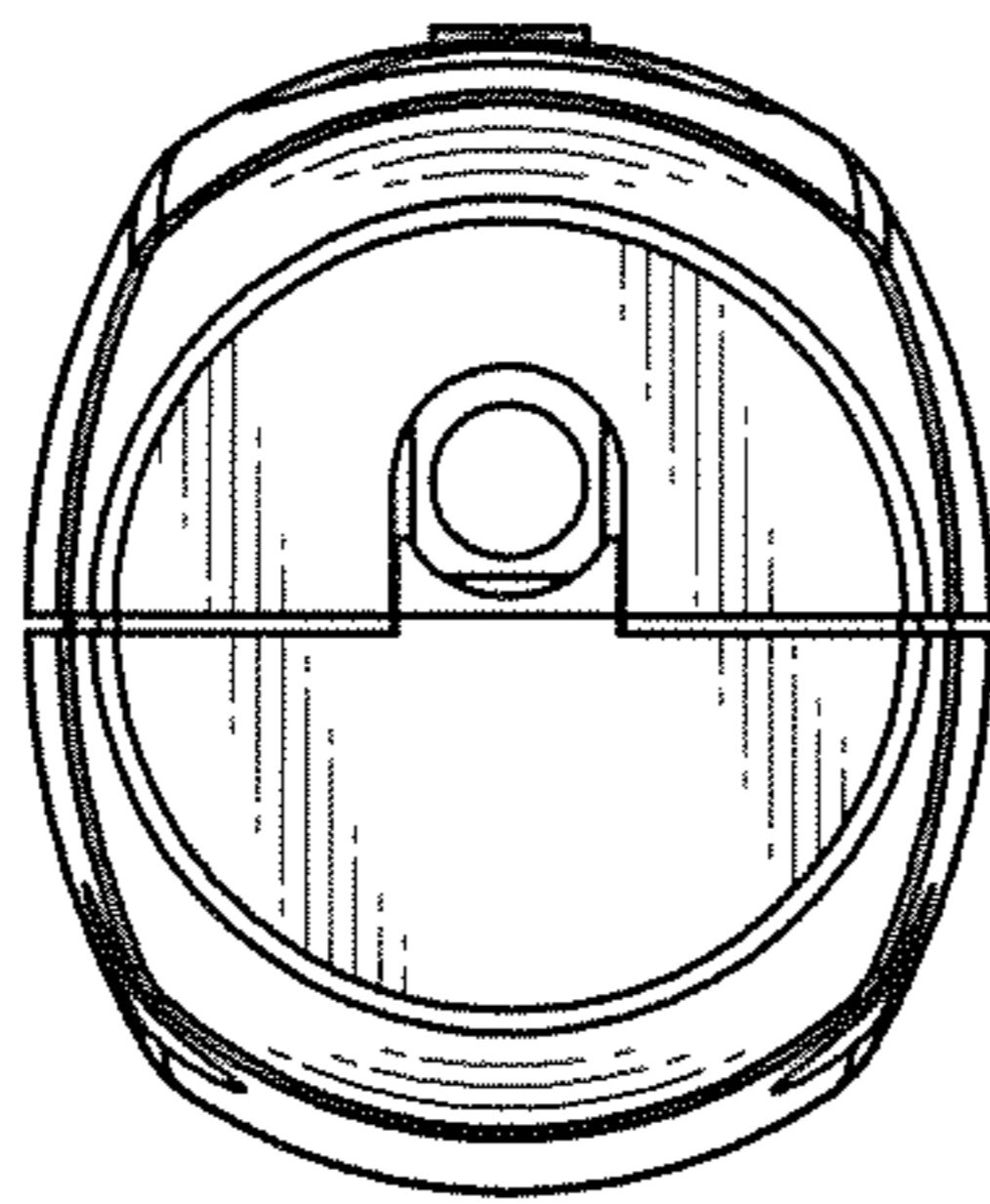


FIG. 7