



US00D720193S

(12) **United States Design Patent**  
**Luedtke**

(10) **Patent No.:** **US D720,193 S**

(45) **Date of Patent:** **\*\* Dec. 30, 2014**

(54) **RECIPROCATING TRIMMER BODY**

(71) Applicant: **Blount, Inc.**, Portland, OR (US)

(72) Inventor: **Lance Luedtke**, Vancouver, WA (US)

(73) Assignee: **Blount, Inc.**, Portland, OR (US)

(\*\*) Term: **14 Years**

(21) Appl. No.: **29/445,803**

(22) Filed: **Feb. 15, 2013**

(51) **LOC (10) Cl.** ..... **08-01**

(52) **U.S. Cl.**  
USPC ..... **D8/8**

(58) **Field of Classification Search**  
USPC ..... D8/7-9; D15/17, 1; 30/276, 208-210,  
30/228, 282-383; 56/12.7, 233-234  
See application file for complete search history.

(56) **References Cited**

**U.S. PATENT DOCUMENTS**

D347,774 S *	6/1994	Griffin et al.	.....	D8/8
D372,407 S *	8/1996	Haneda et al.	.....	D8/8
D582,225 S *	12/2008	Bochmann et al.	.....	D8/8
D670,144 S *	11/2012	Tinius	.....	D8/8

\* cited by examiner

*Primary Examiner* — Sheryl Lane

(74) *Attorney, Agent, or Firm* — Schwabe Williamson & Wyatt

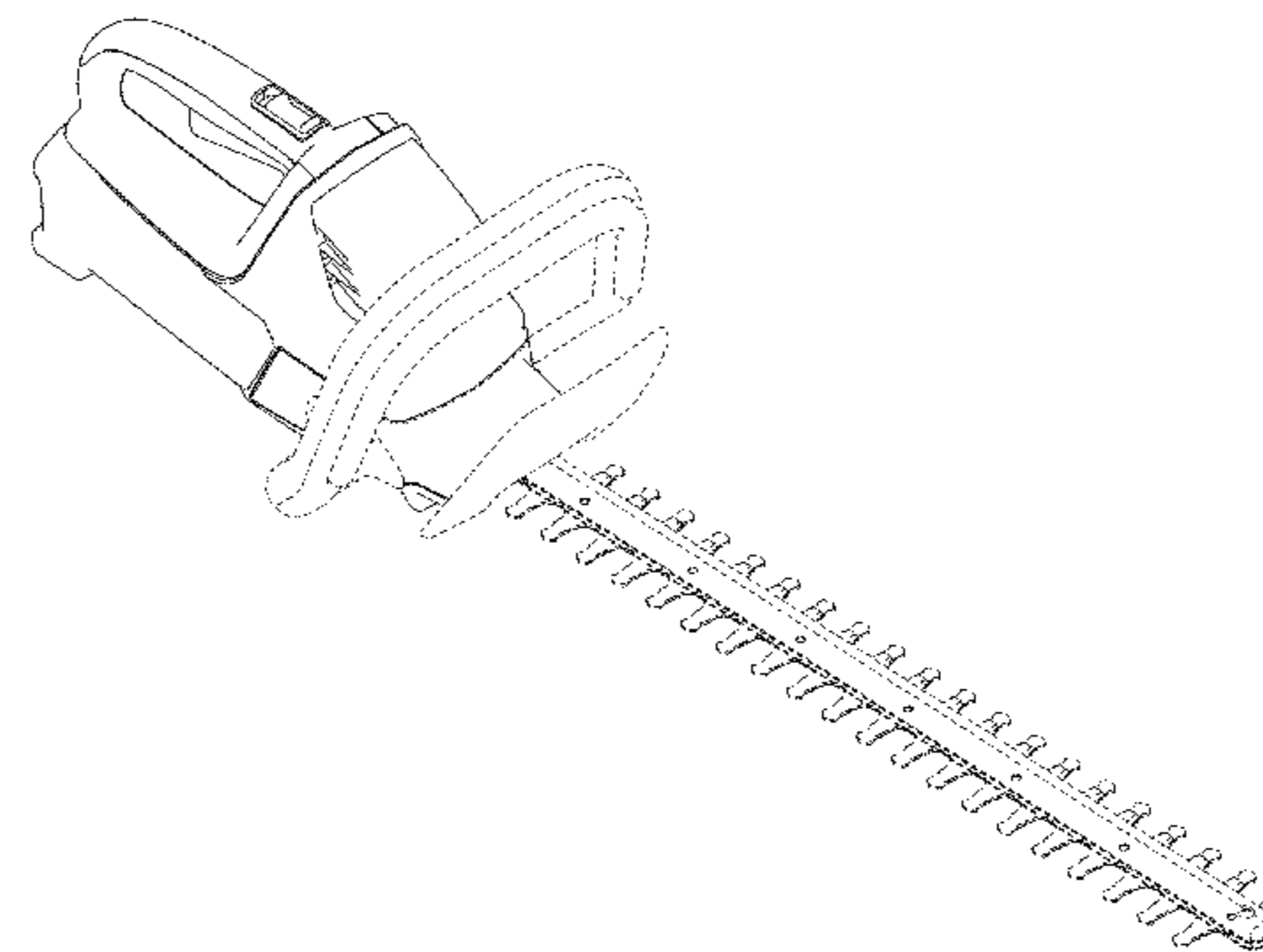
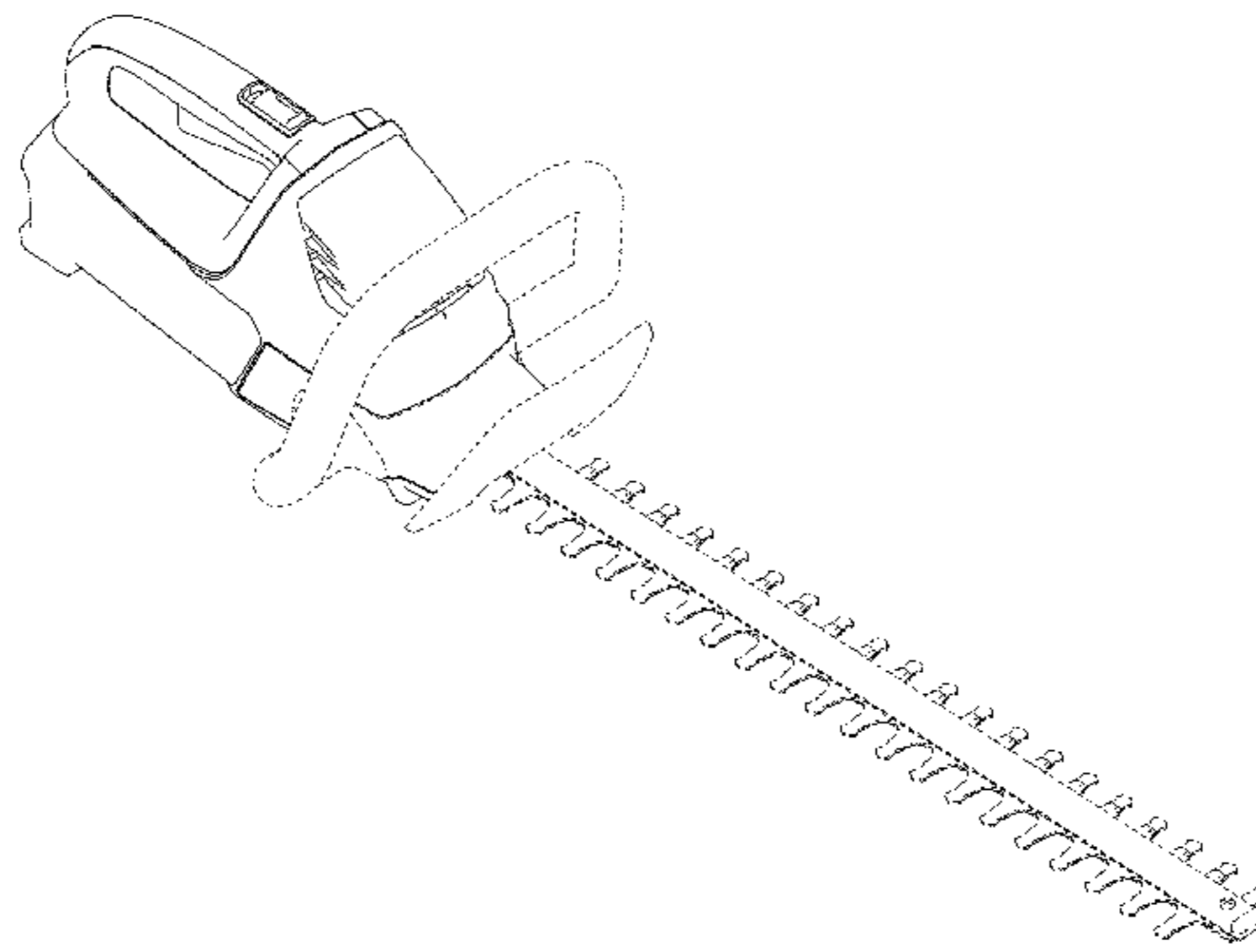
(57) **CLAIM**

I claim the ornamental design for the reciprocating trimmer body, as shown and described.

**DESCRIPTION**

FIG. 1 is a left perspective view of a reciprocating trimmer body showing my new design;  
 FIG. 2 is a right perspective view thereof;  
 FIG. 3 is a rear view thereof;  
 FIG. 4 is a left-side view thereof;  
 FIG. 5 is a right-side view thereof;  
 FIG. 6 is a front view thereof;  
 FIG. 7 is a top view thereof;  
 FIG. 8 is a bottom view thereof;  
 FIG. 9 is a left perspective view of a second embodiment of a reciprocating trimmer body showing my new design;  
 FIG. 10 is a right perspective view of FIG. 9;  
 FIG. 11 is a rear view of FIG. 9;  
 FIG. 12 is a left-side view of FIG. 9;  
 FIG. 13 is a right-side view of FIG. 9;  
 FIG. 14 is a front view of FIG. 9;  
 FIG. 15 is a top view of FIG. 9; and,  
 FIG. 16 is a bottom view of FIG. 9.  
 The dashed lines, and lighter gray lines of the blades, are included for illustrating environmental structure and form no part of the claimed design.

**1 Claim, 16 Drawing Sheets**



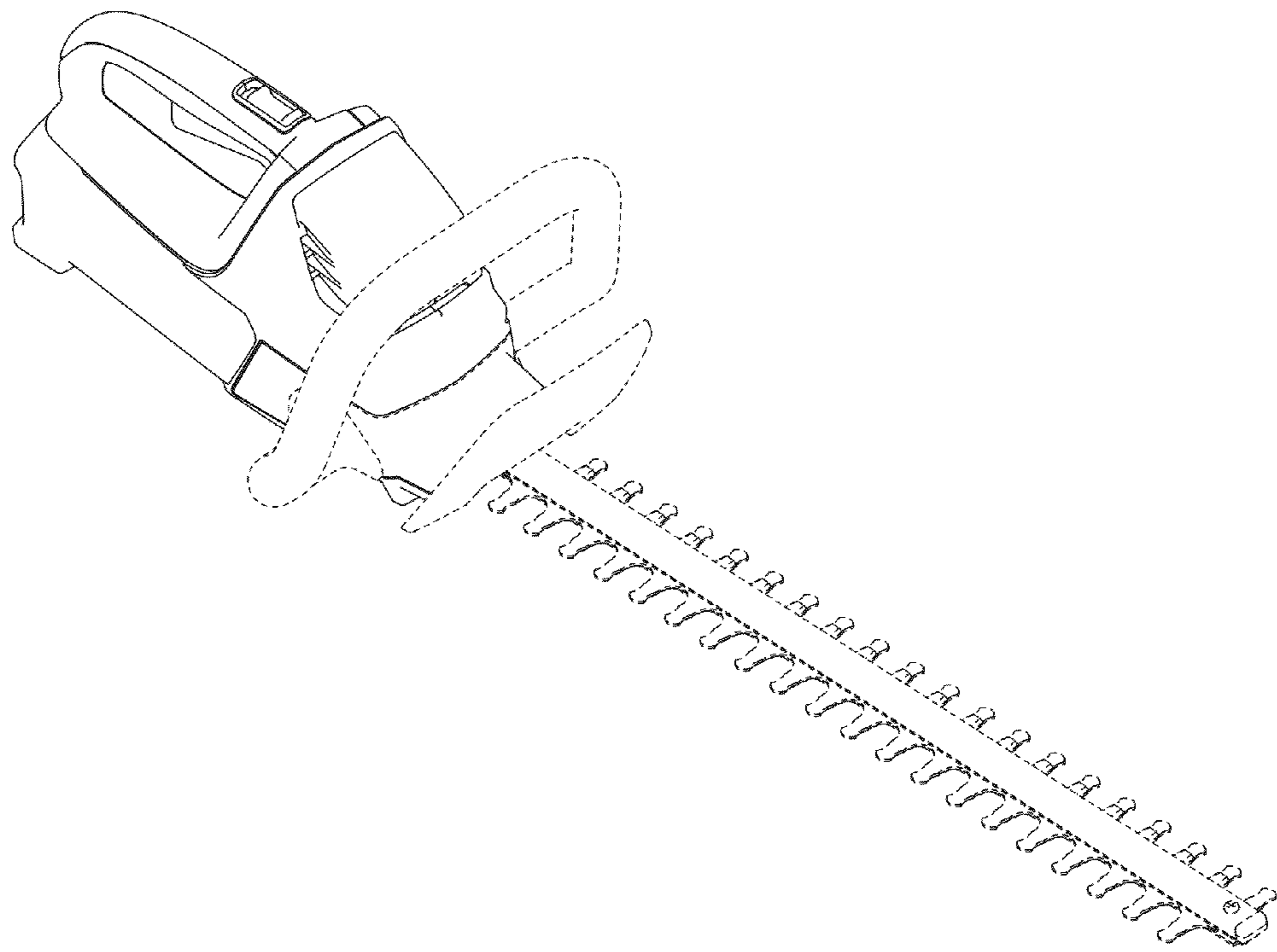


FIG. 1

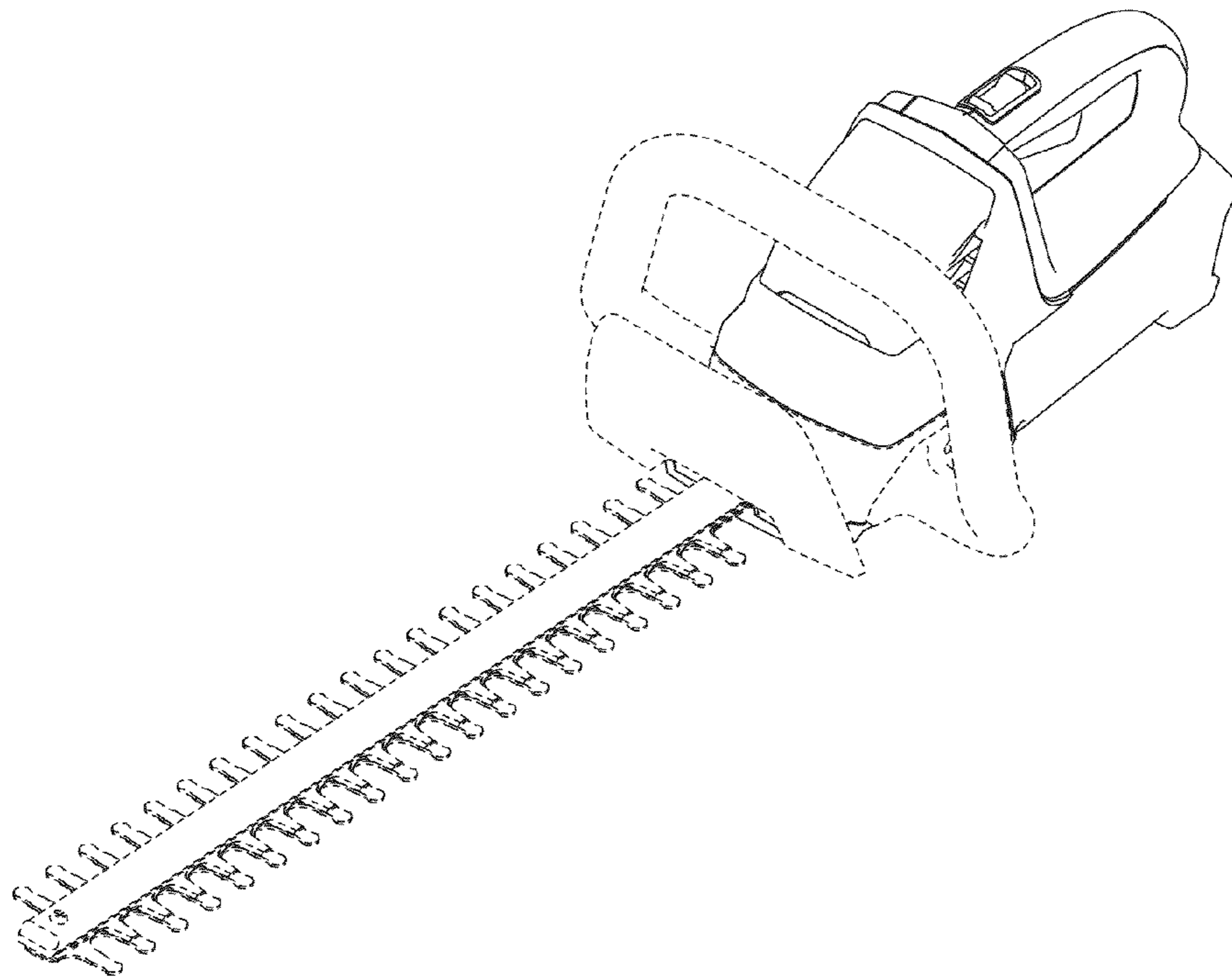


FIG. 2

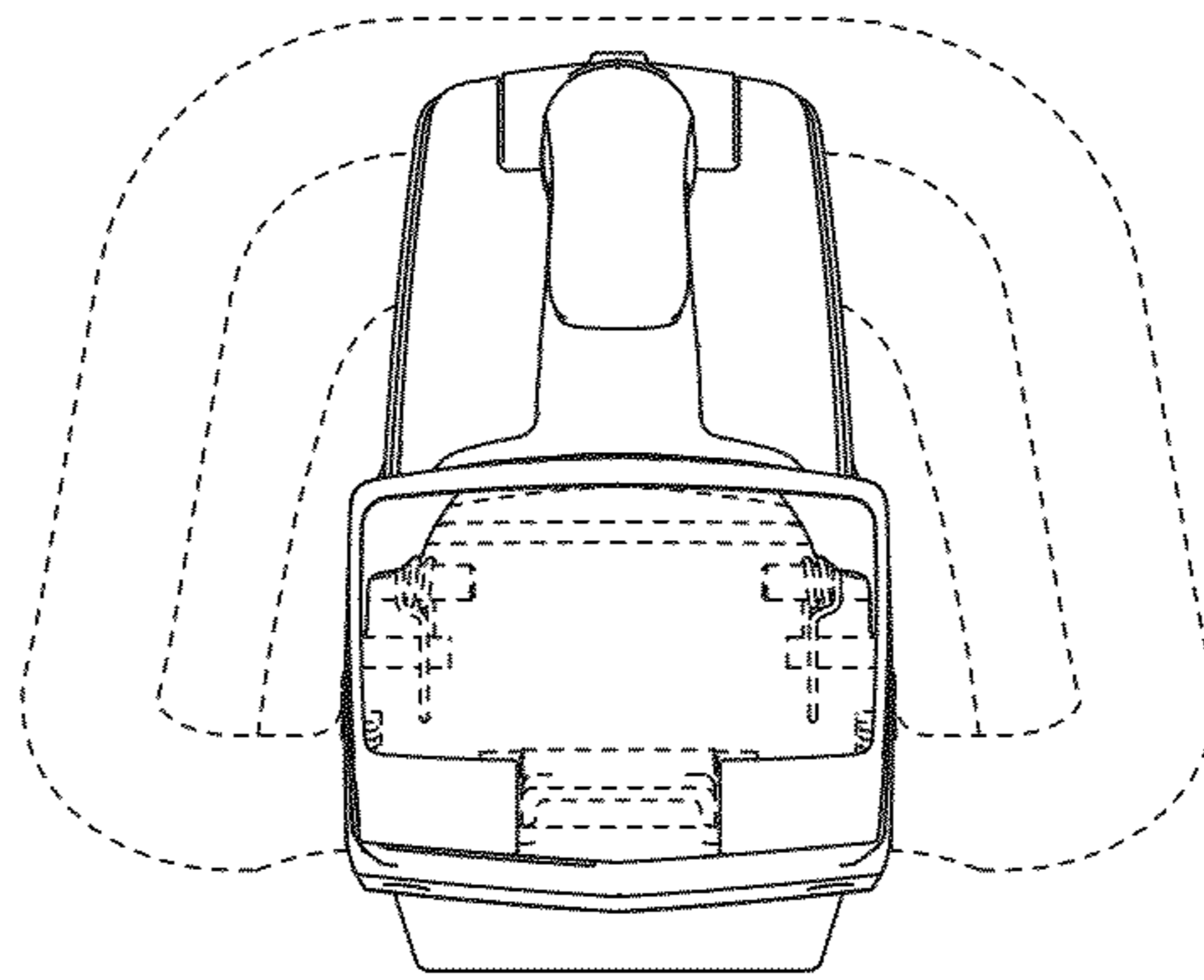


FIG. 3

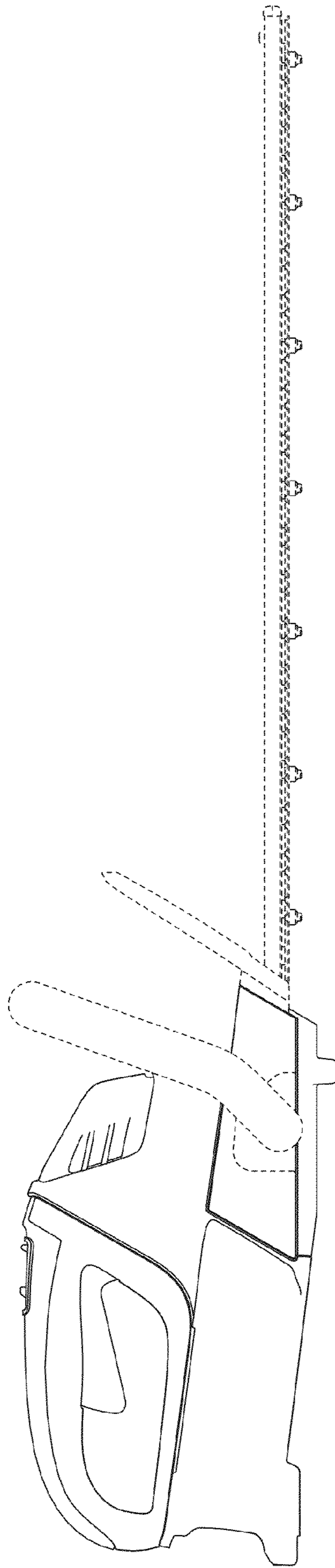


FIG. 4

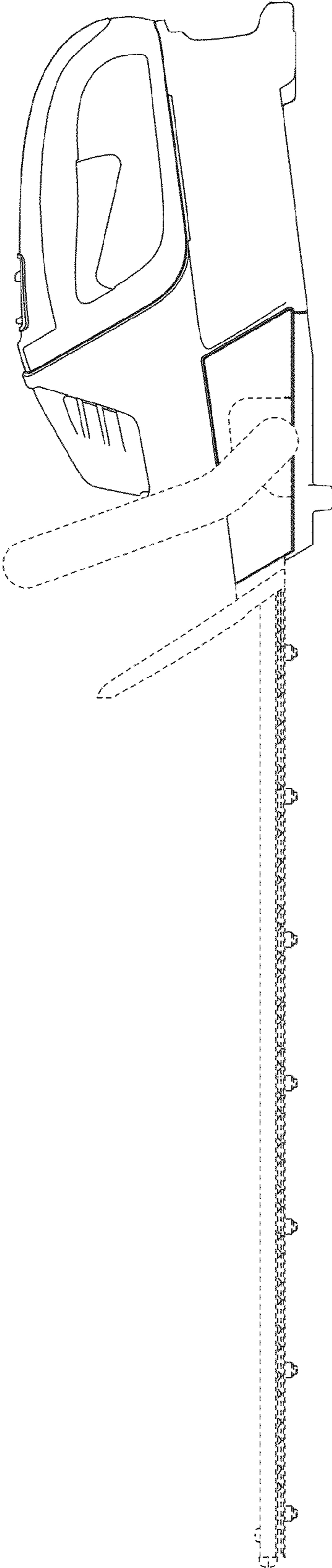


FIG. 5

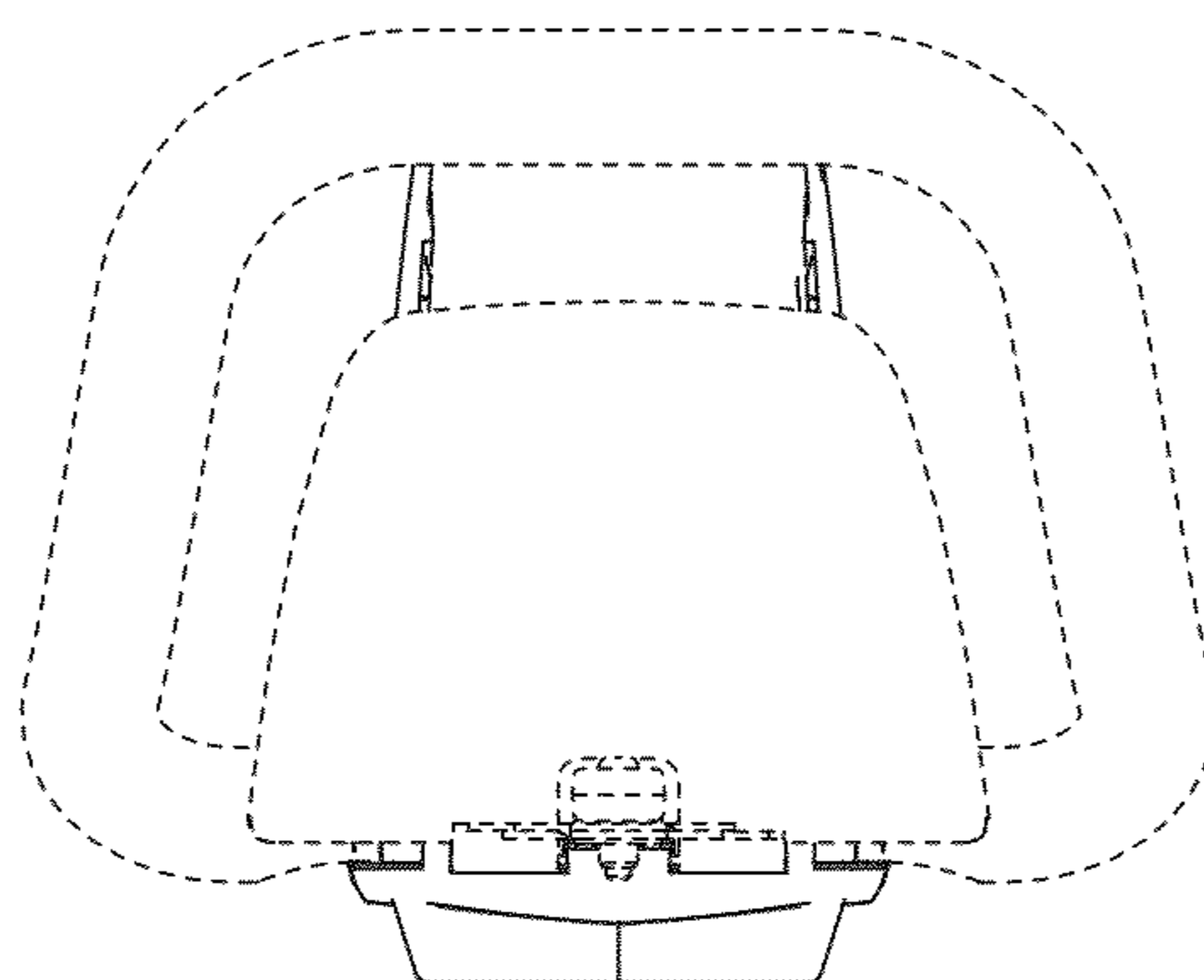


FIG. 6

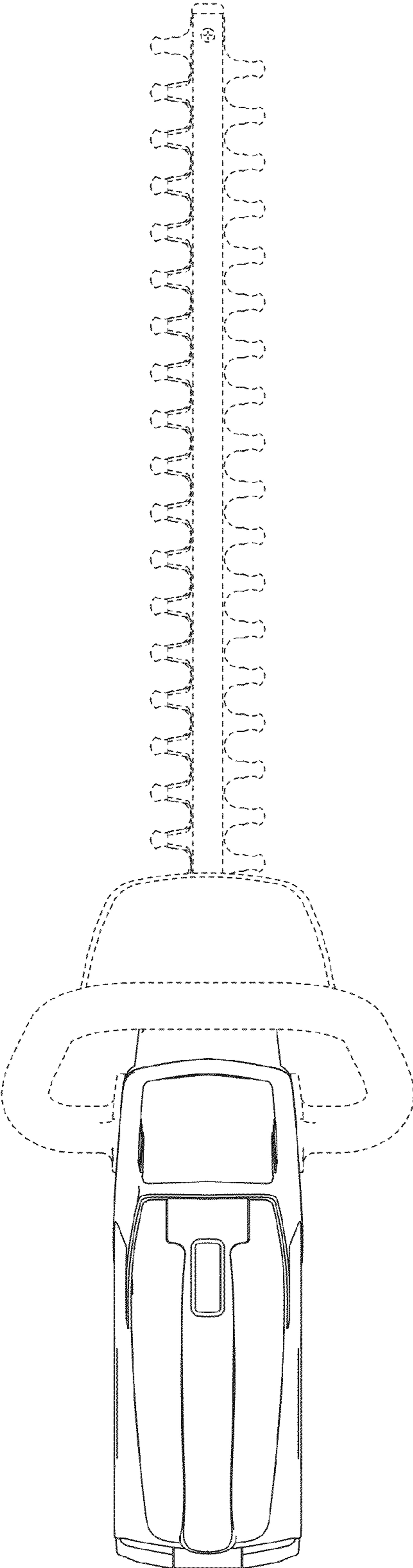


FIG. 7



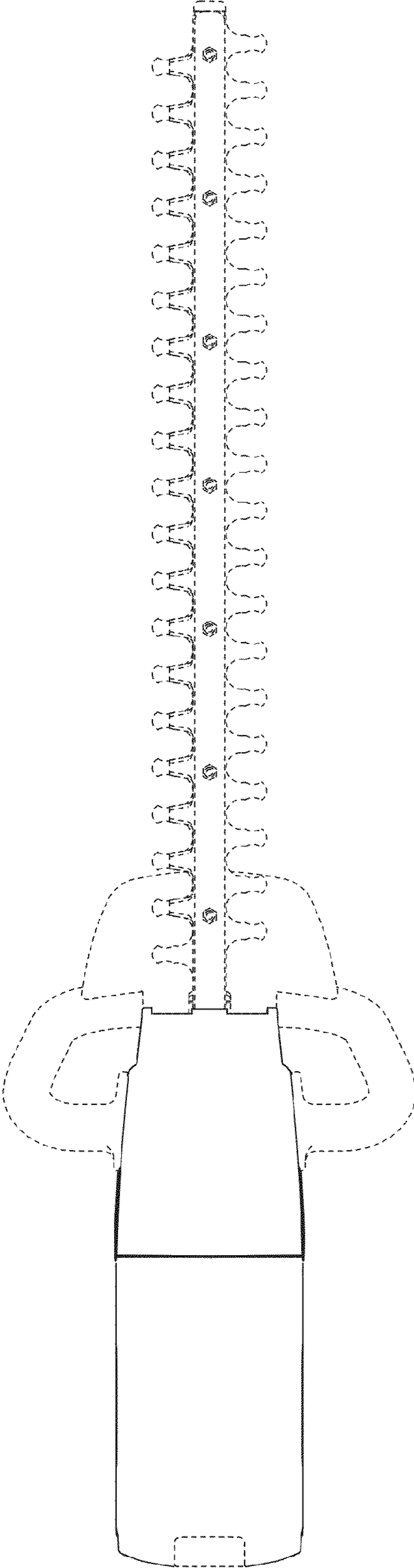


FIG. 8

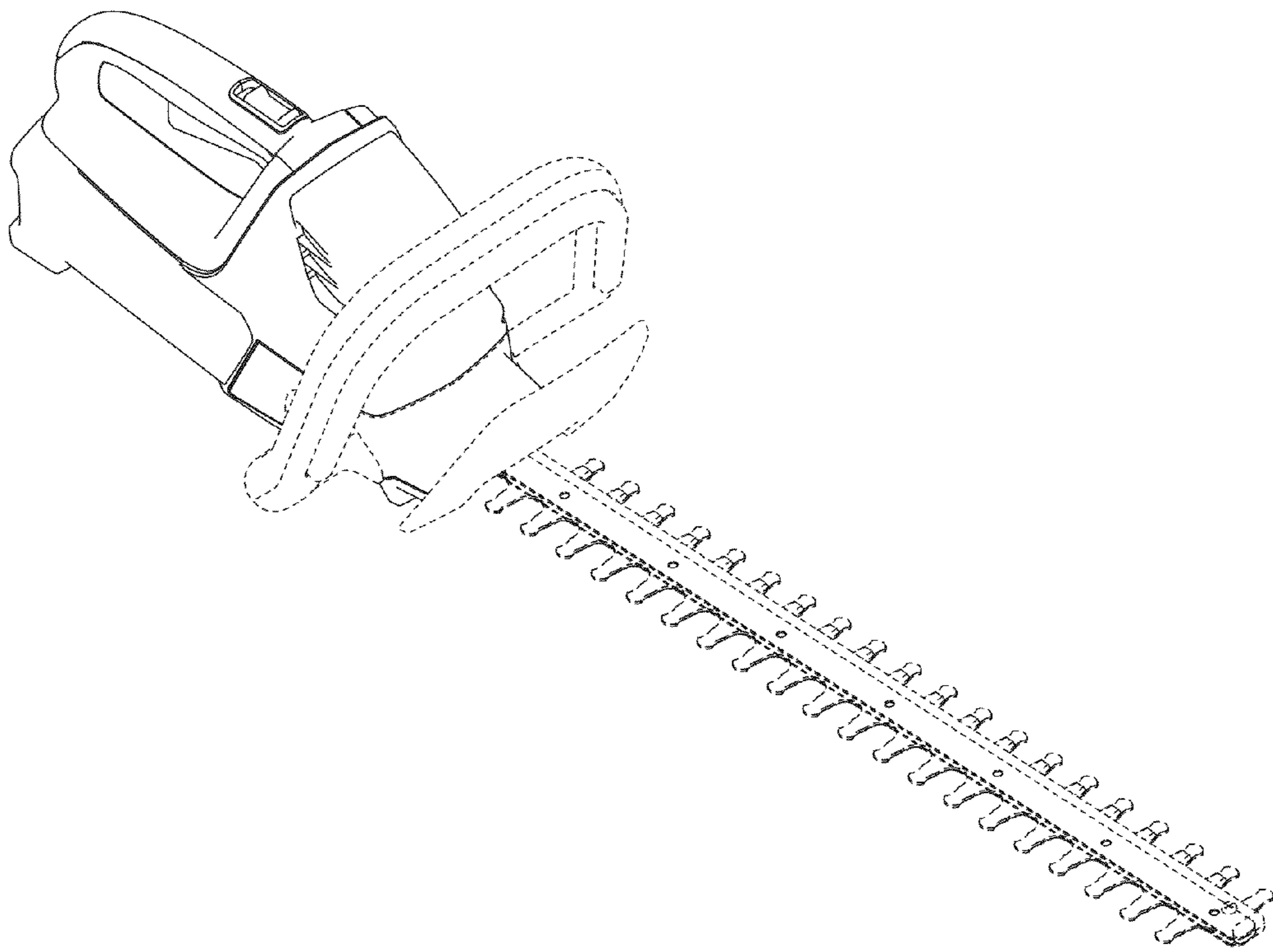


FIG. 9

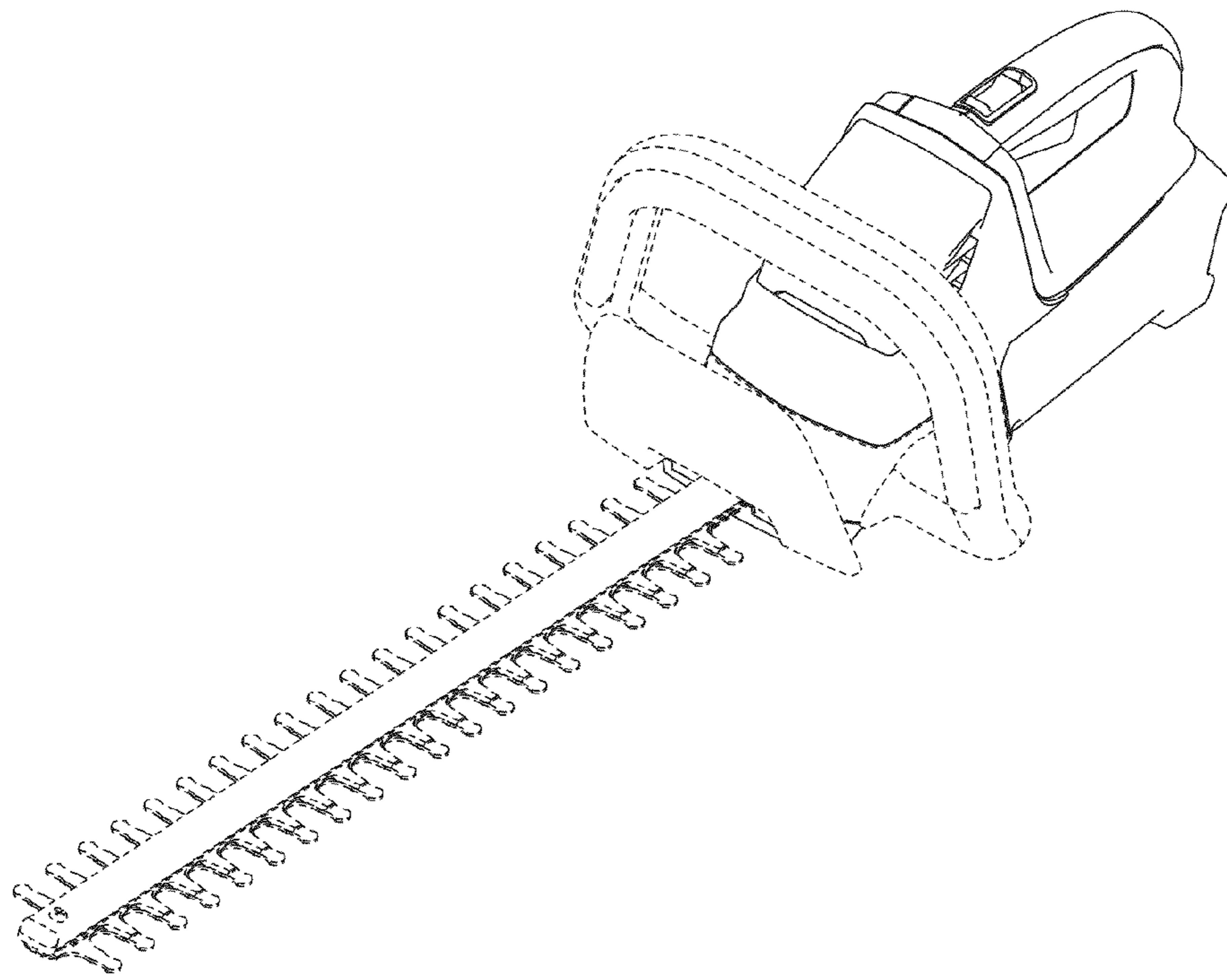


FIG. 10

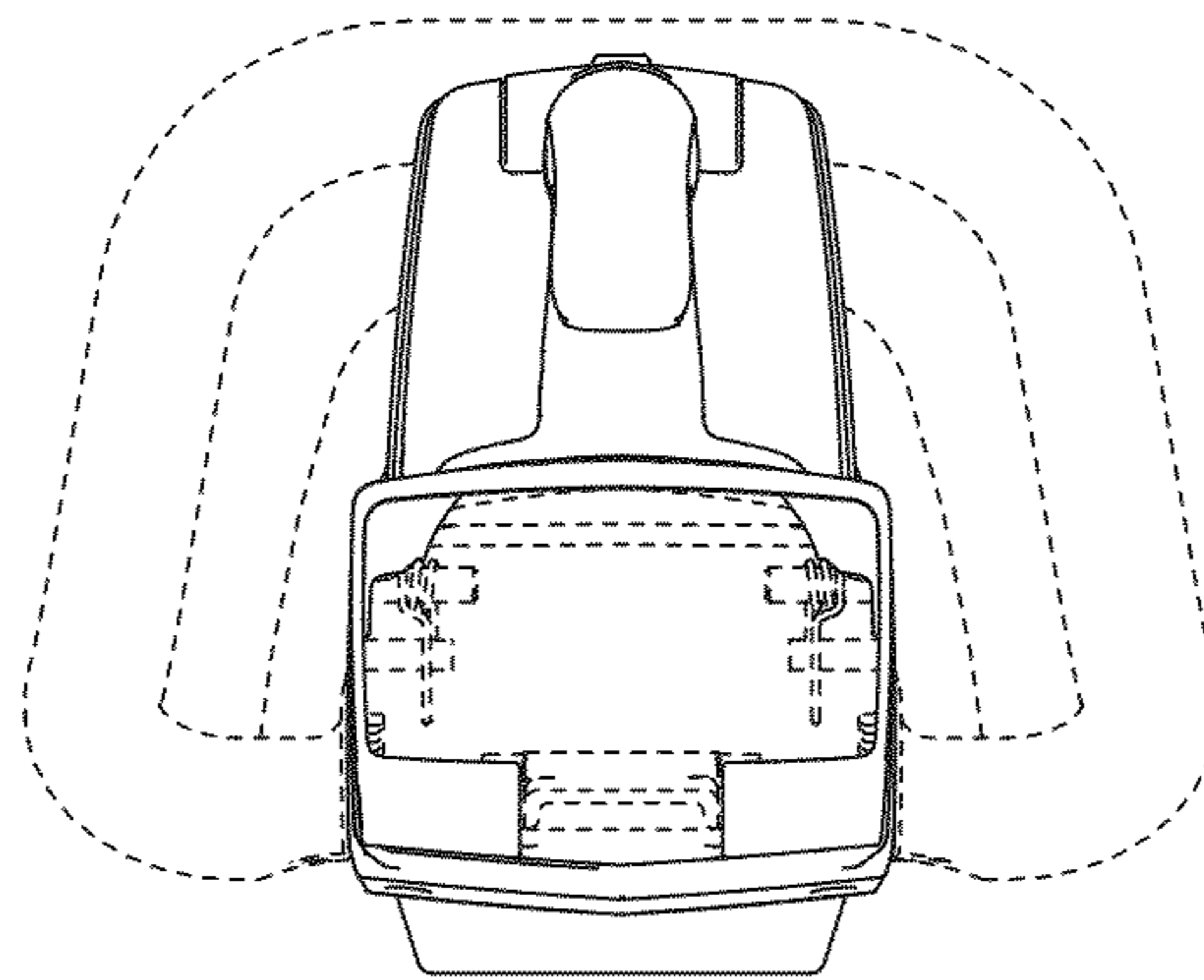


FIG. 11

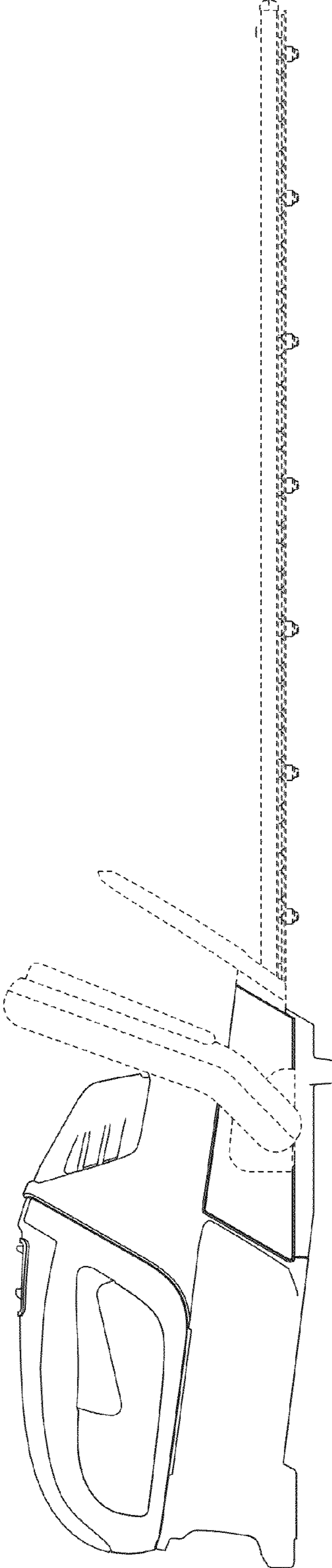


FIG. 12

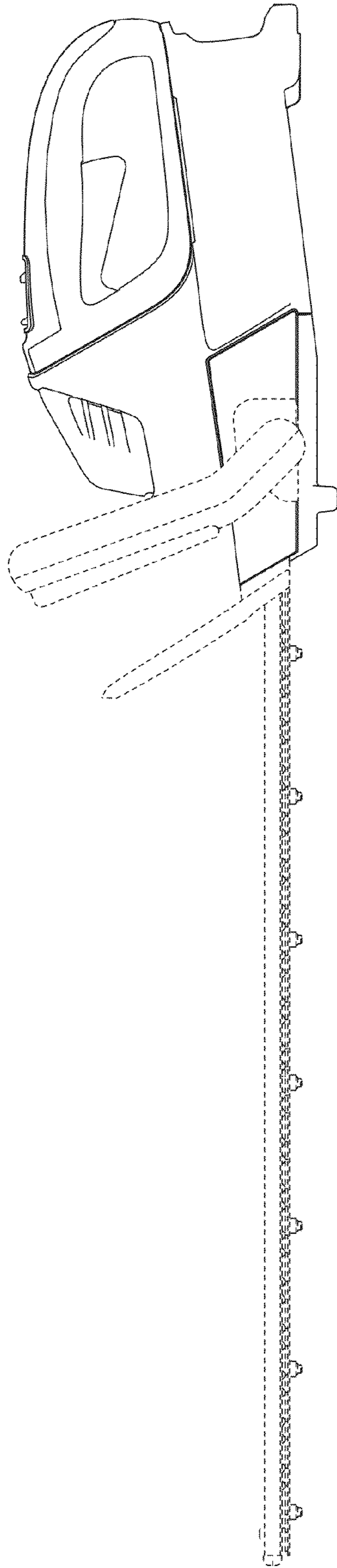


FIG. 13

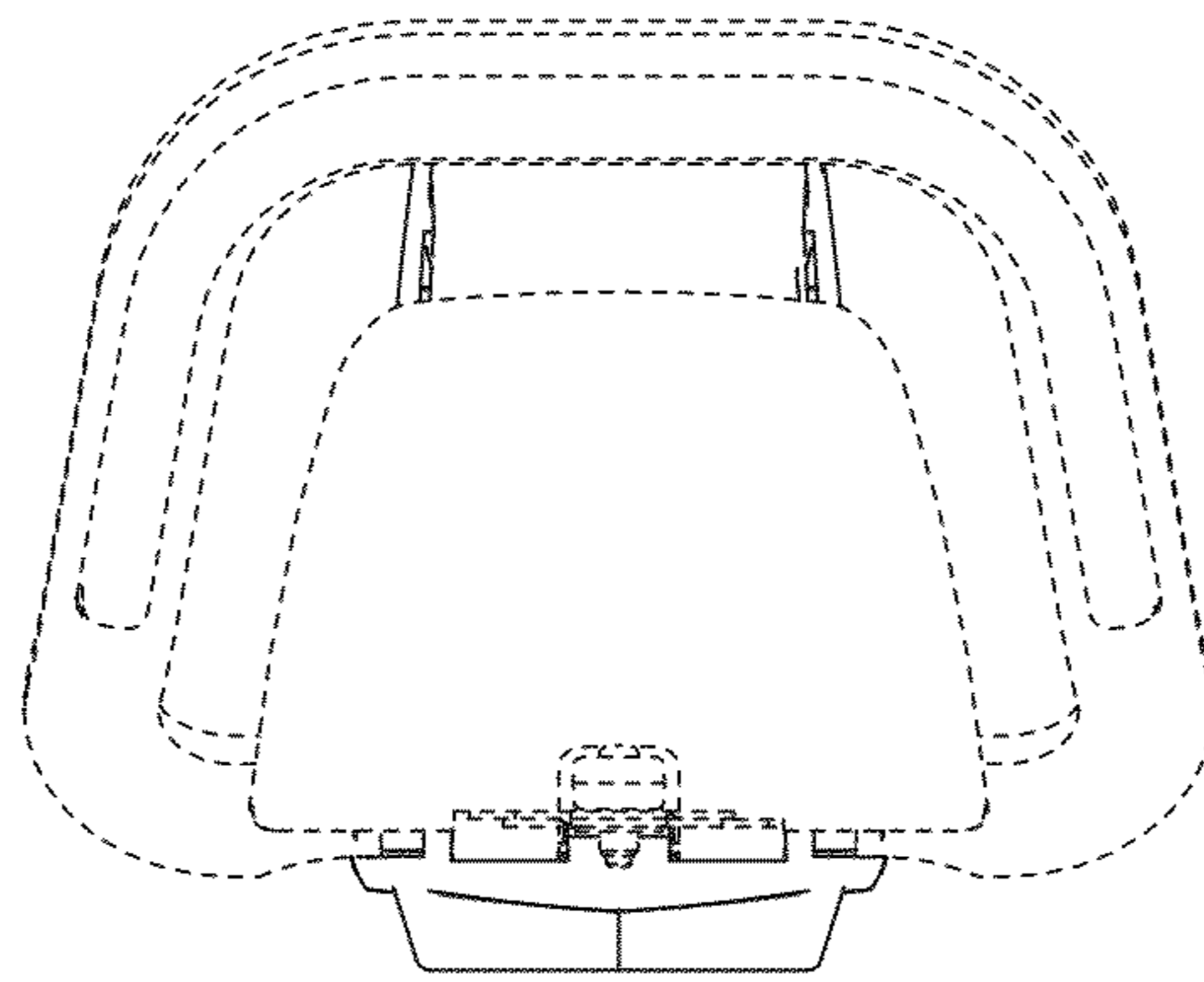


FIG. 14

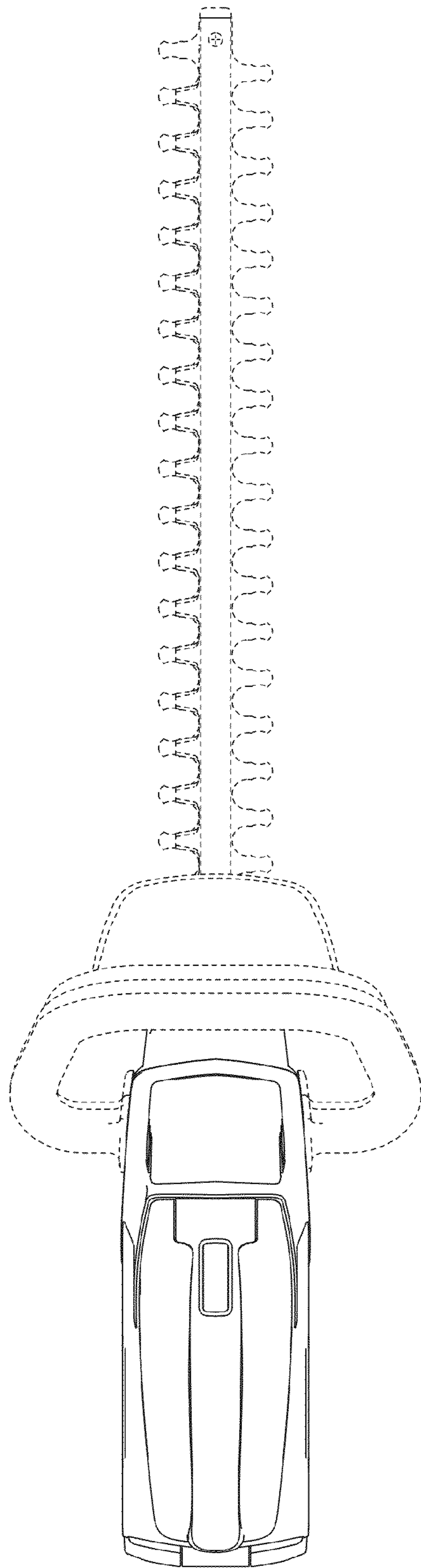


FIG. 15



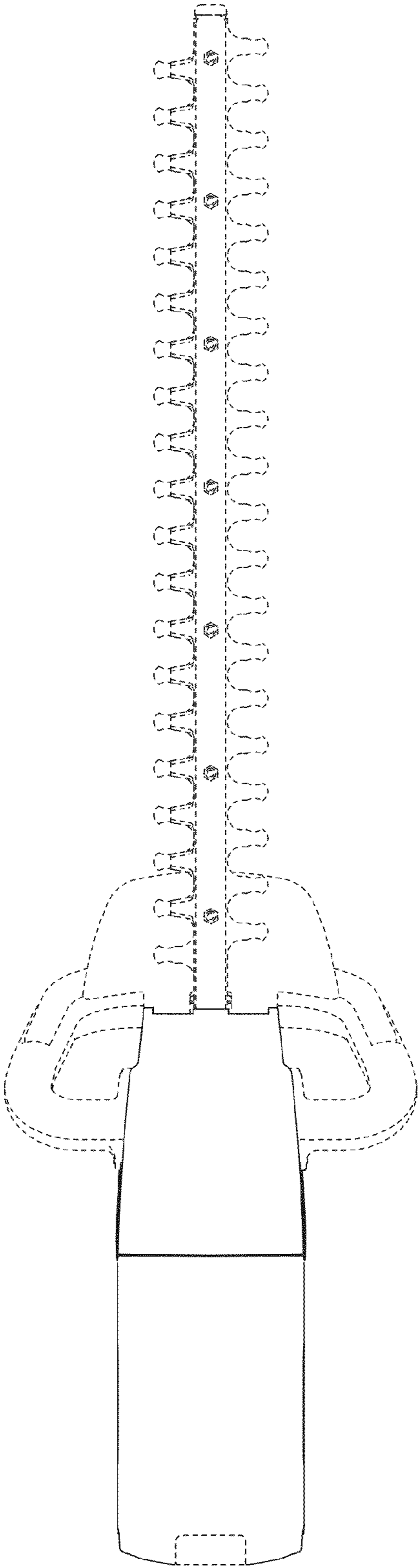


FIG. 16