



US00D720190S

(12) **United States Design Patent**  
**Iliev**

(10) **Patent No.:** **US D720,190 S**

(45) **Date of Patent:** **\*\* Dec. 30, 2014**

(54) **MODULAR MEAT TENDERIZER**

(71) Applicant: **Vall A. Iliev**, Stow, OH (US)

(72) Inventor: **Vall A. Iliev**, Stow, OH (US)

(\*\*) Term: **14 Years**

(21) Appl. No.: **29/478,279**

(22) Filed: **Jan. 3, 2014**

D401,815 S \* 12/1998 Filipovic ..... D7/682  
D423,888 S \* 5/2000 Kaposi ..... D7/682  
D447,023 S \* 8/2001 Kaposi et al. .... D7/682  
D481,268 S \* 10/2003 Hibbert et al. .... D7/682

\* cited by examiner

*Primary Examiner* — Terry Wallace

(74) *Attorney, Agent, or Firm* — John D. Gugliotta

(57) **CLAIM**

The ornamental design for a modular meat tenderizer, as shown and described.

**Related U.S. Application Data**

(63) Continuation-in-part of application No. 13/555,636, filed on Jul. 23, 2012, now abandoned, which is a continuation-in-part of application No. 13/231,082, filed on Sep. 13, 2011, now abandoned.

(51) **LOC (10) Cl.** ..... **07-04**

(52) **U.S. Cl.**  
USPC ..... **D7/682**

(58) **Field of Classification Search**  
USPC ..... D7/680–696, 393, 395; 241/168, 169,  
241/169.1, 169.2, 285.1; 7/110, 113;  
452/102, 141, 145–147  
See application file for complete search history.

(56) **References Cited**

**U.S. PATENT DOCUMENTS**

198,459 A \* 12/1877 Hill et al. .... 452/146  
448,482 A \* 3/1891 Ginter ..... 452/145  
3,138,823 A \* 6/1964 Langner ..... 452/145  
D252,126 S \* 6/1979 Durant ..... D7/683  
D252,180 S \* 6/1979 Zuber ..... D7/694  
D253,155 S \* 10/1979 Jurida ..... D7/694  
D312,950 S \* 12/1990 Bell ..... D7/694  
D395,806 S \* 7/1998 Fischer ..... D7/694

**DESCRIPTION**

FIG. 1 is a side perspective view of a modular meat tenderizer showing my new design;

FIG. 2 is a front exploded perspective view thereof;

FIG. 3 is a top plan view of a handle element for use with the modular meat tenderizer thereof;

FIG. 4 is a right side elevational view of the handle element of FIG. 3, the opposite side being a mirror image hereof;

FIG. 5 is perspective view of a weighted roller element for use with the modular meat tenderizer thereof;

FIG. 6 is side elevational view of the weighted roller element of FIG. 5;

FIG. 7 is a front elevational view of the weighted roller element of FIGS. 5 and 6;

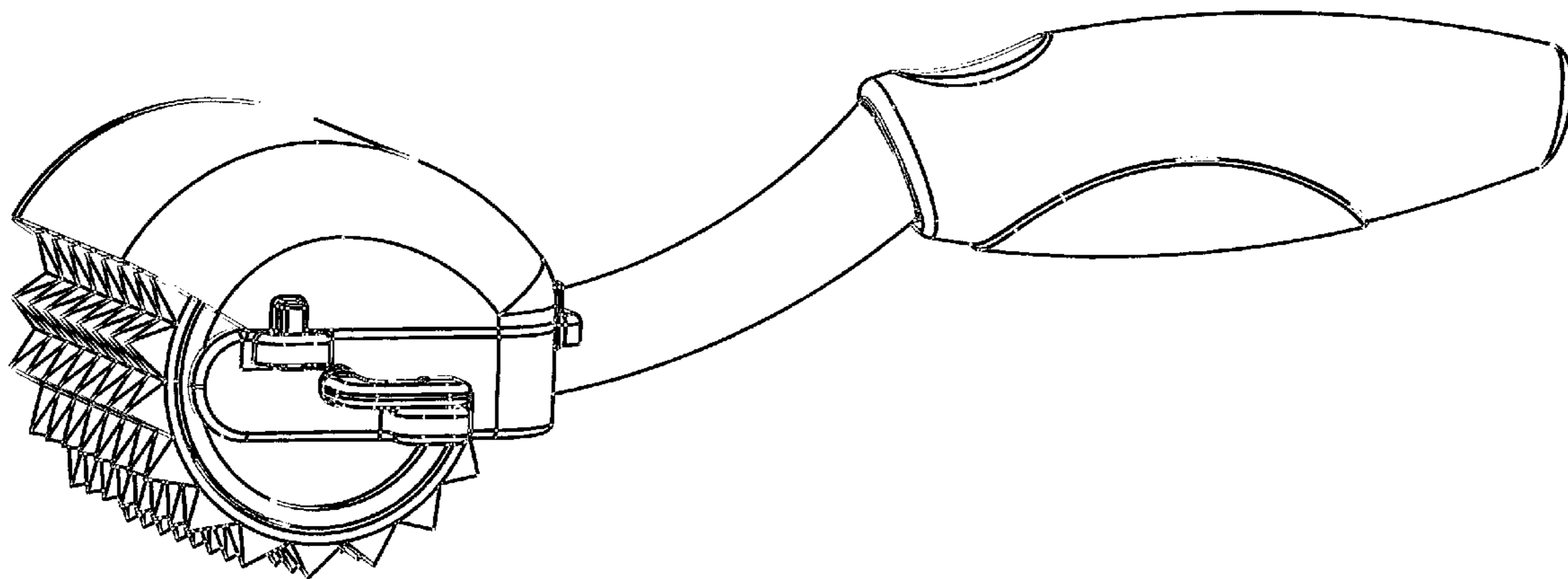
FIG. 8 is a perspective view of a meat tenderizing roller cover for use with the modular meat tenderizer thereof;

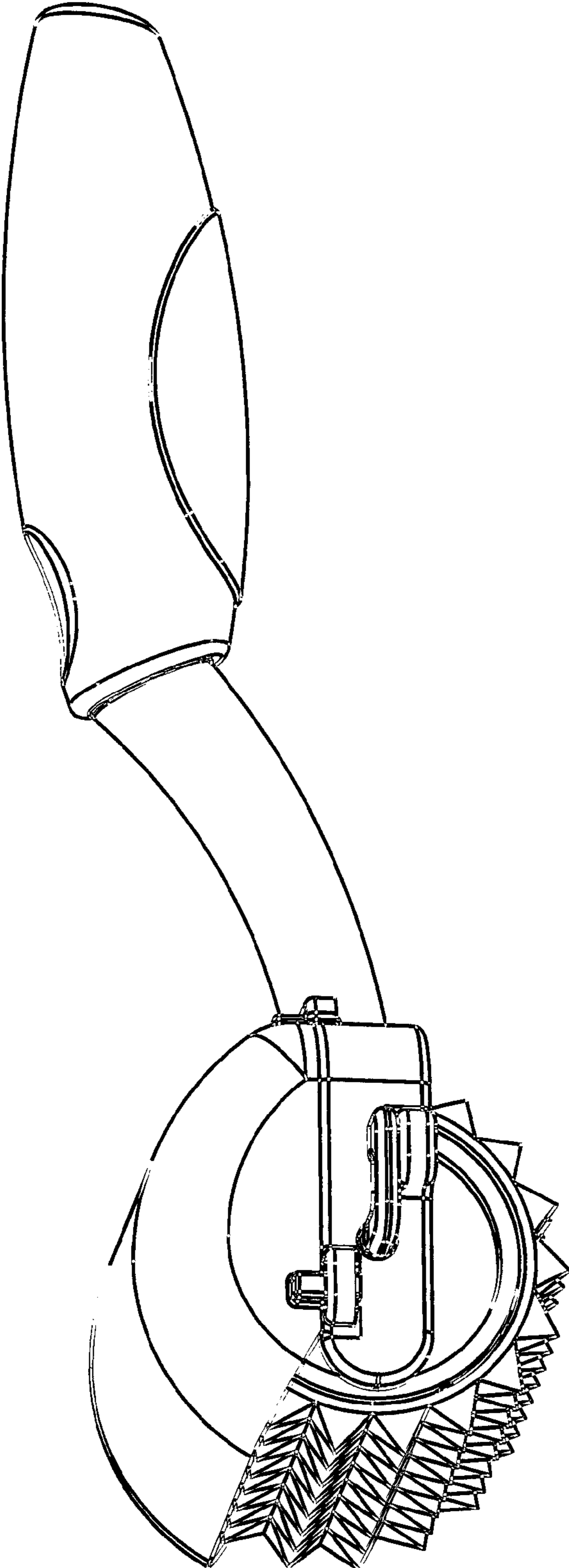
FIG. 9 is a front elevational view of the meat tenderizing roller cover of FIG. 8; and,

FIG. 10 is a side elevational view of the meat tenderizing roller cover of FIGS. 8 and 9.

The pieces of the claimed design are shown separately for clarity of illustration.

**1 Claim, 10 Drawing Sheets**





**Fig. 1**

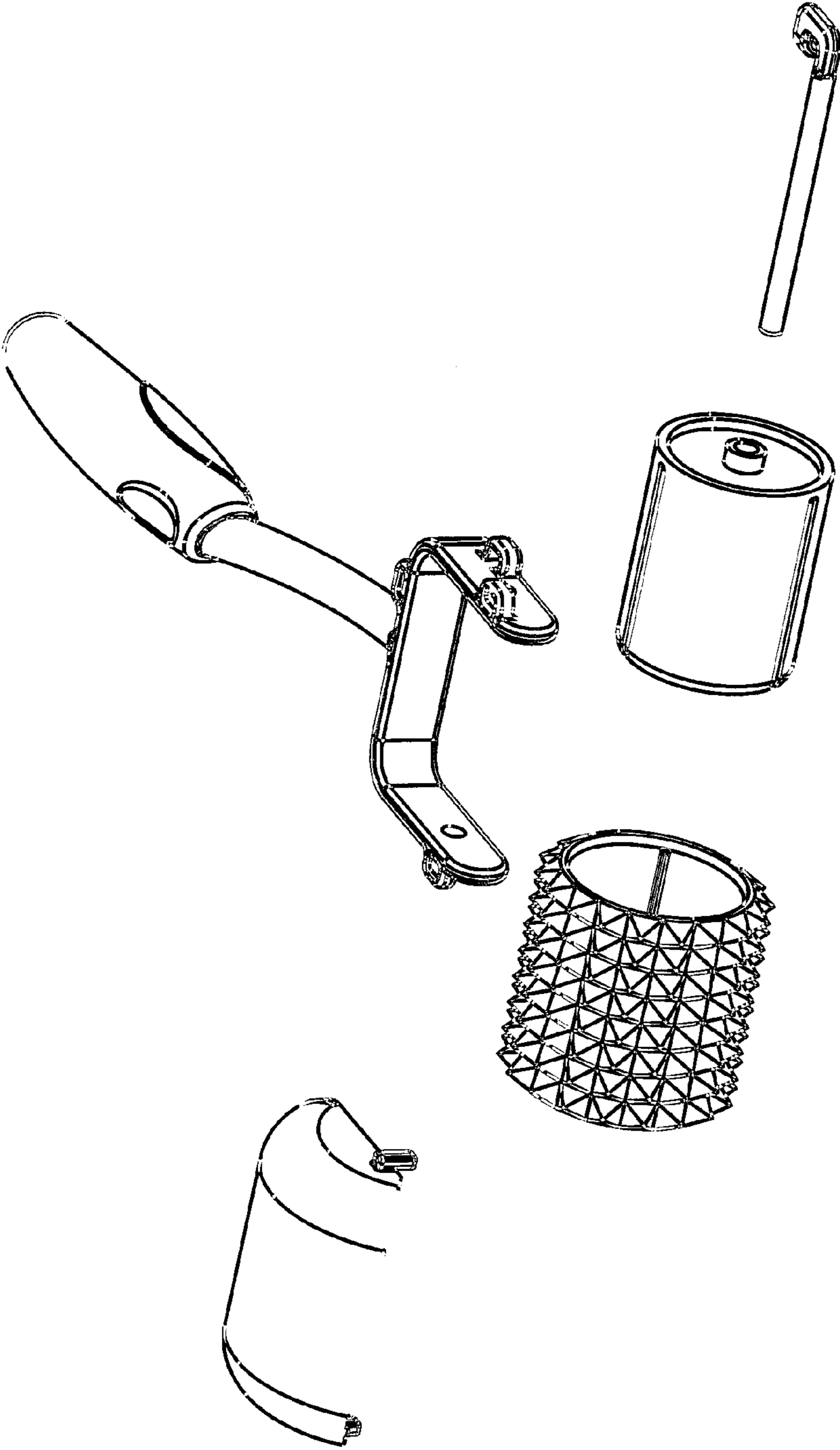


Fig. 2

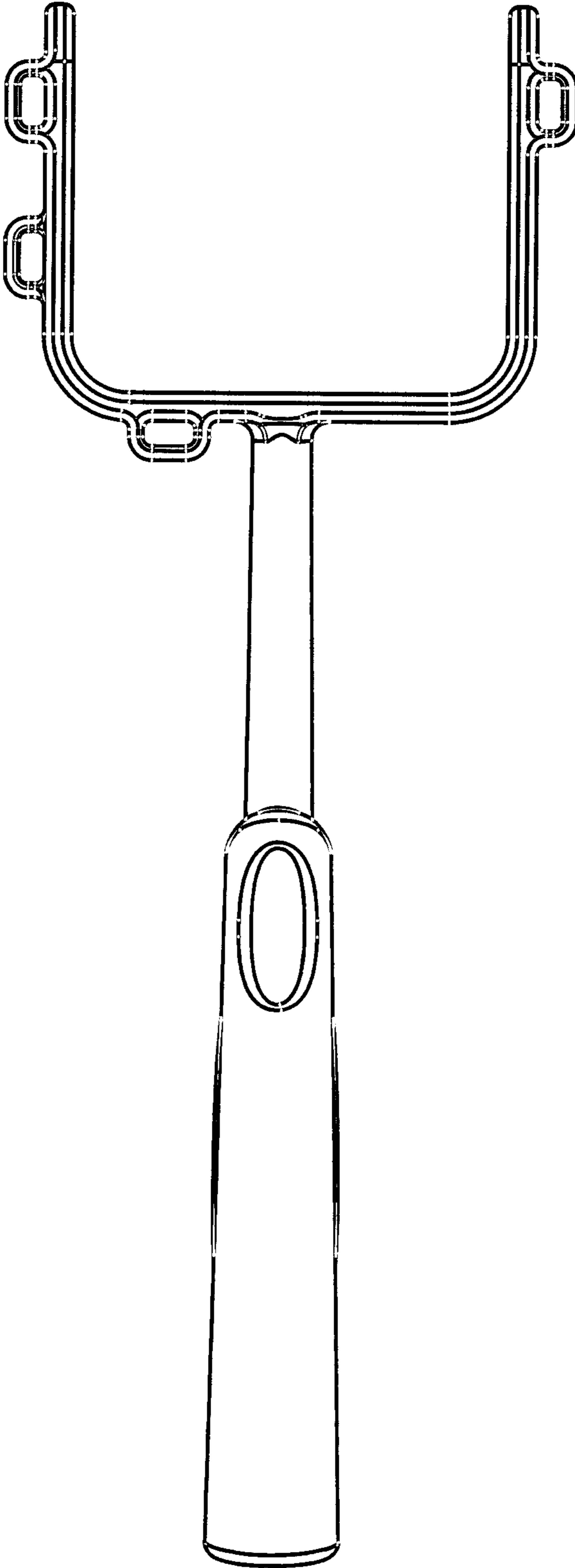
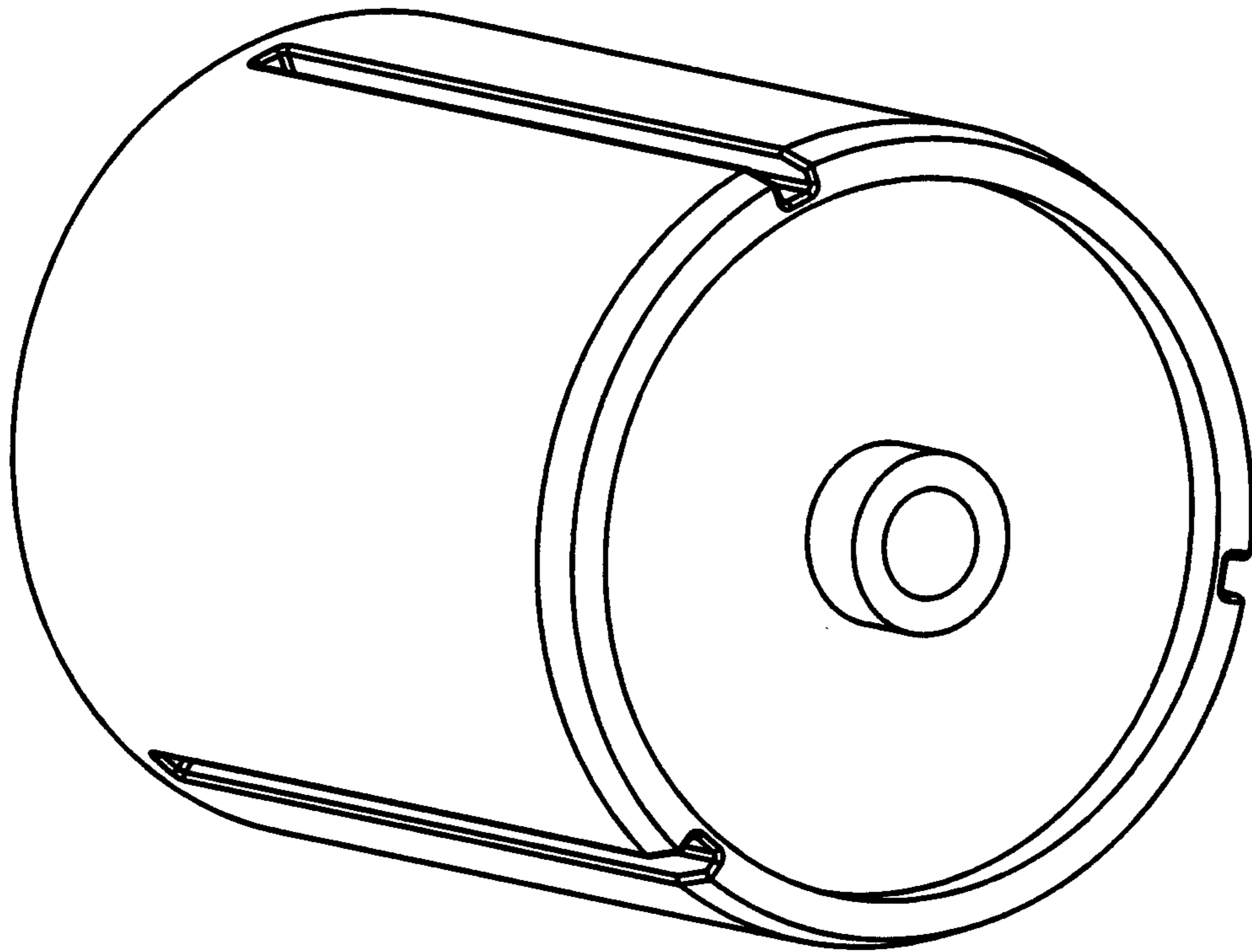


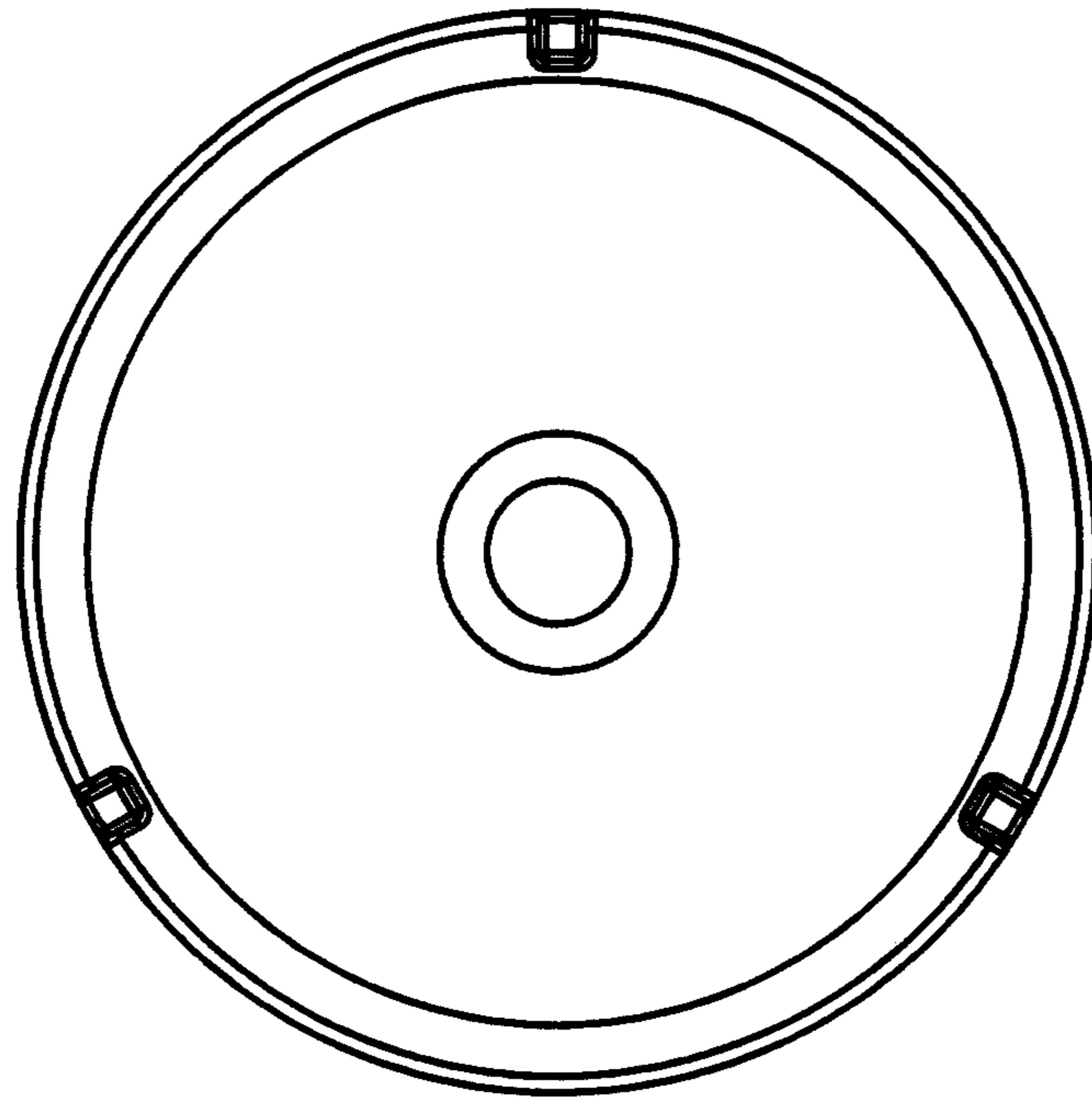
Fig. 3



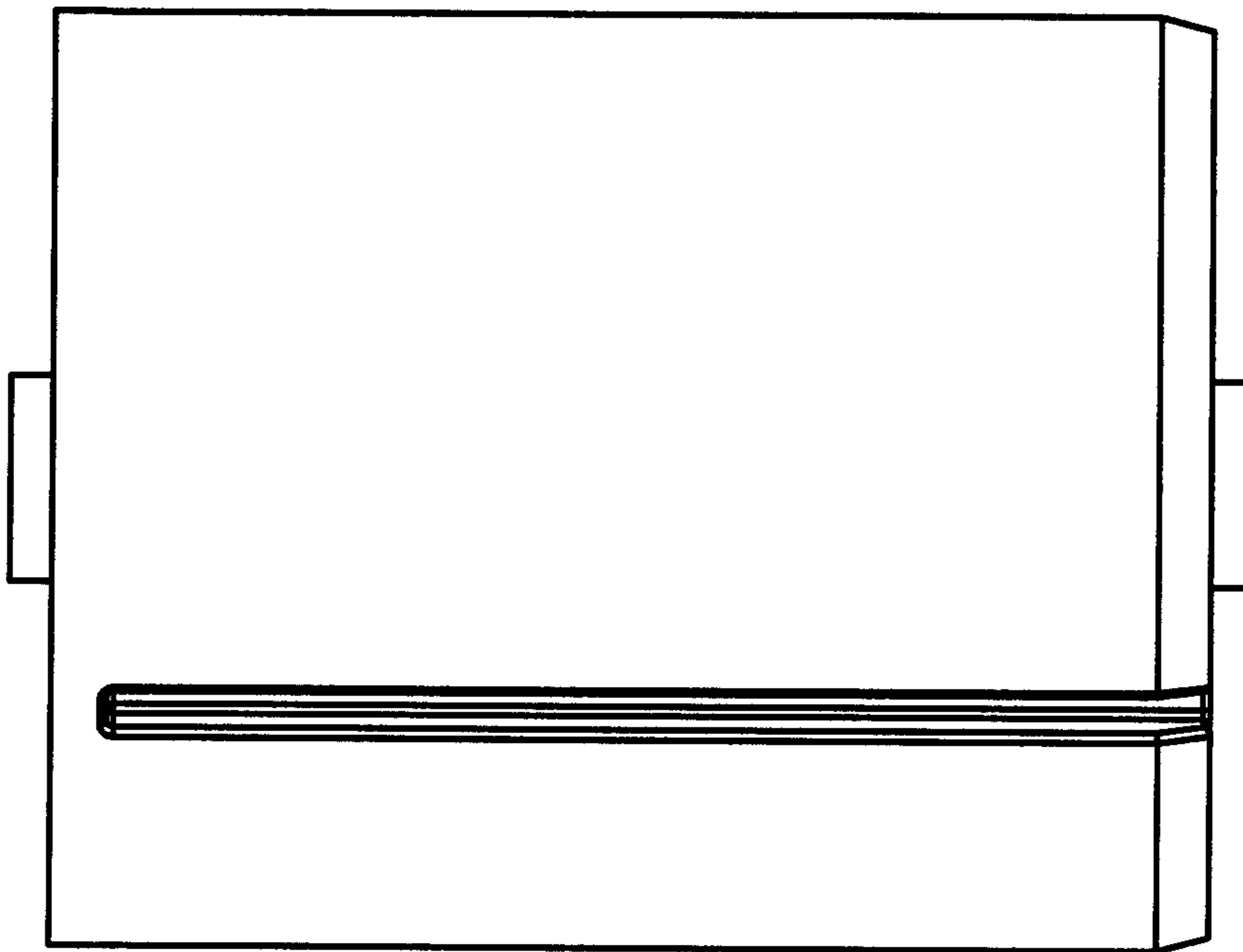
Fig. 4



**Fig. 5**

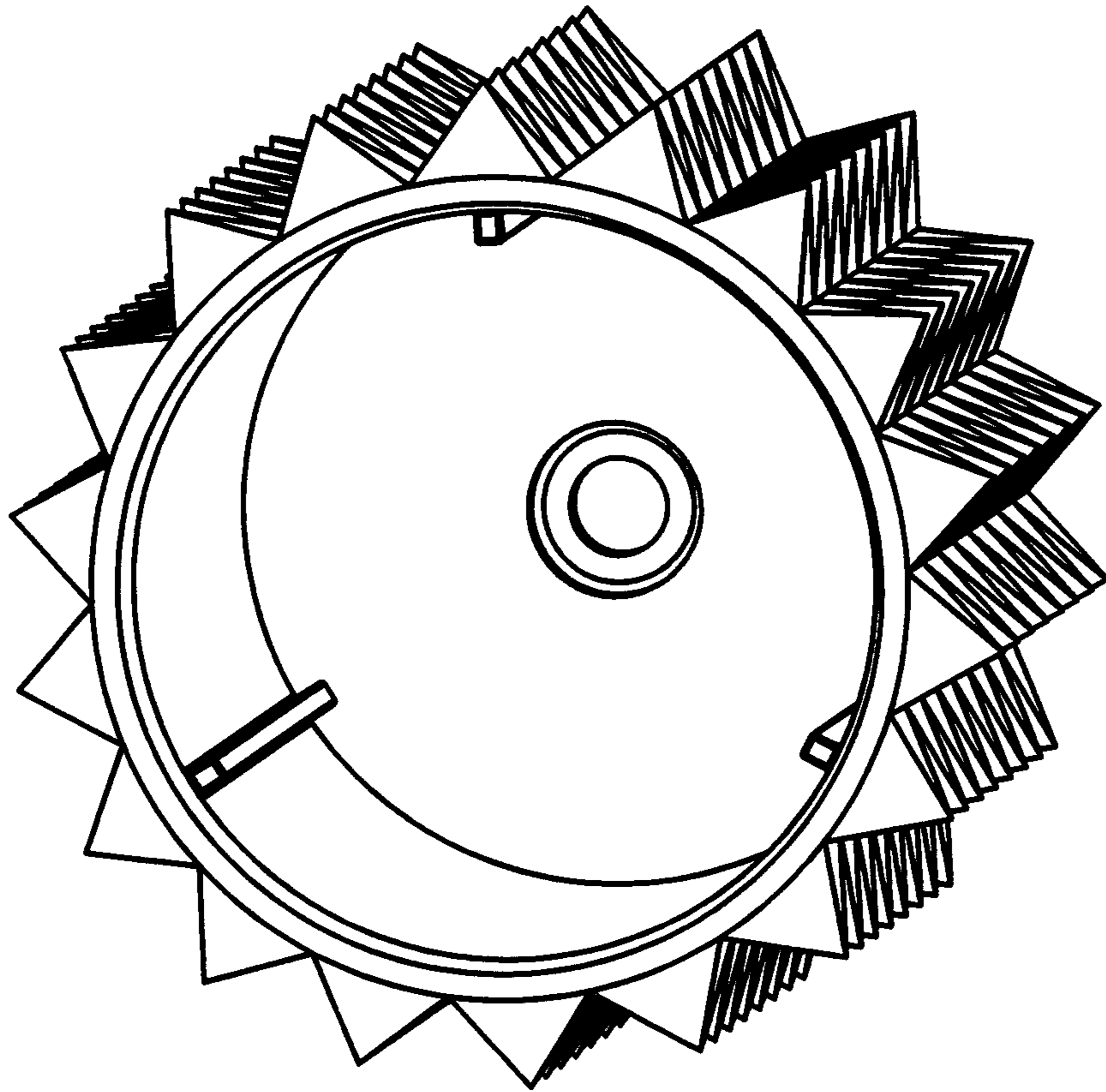


**Fig. 6**



**Fig. 7**

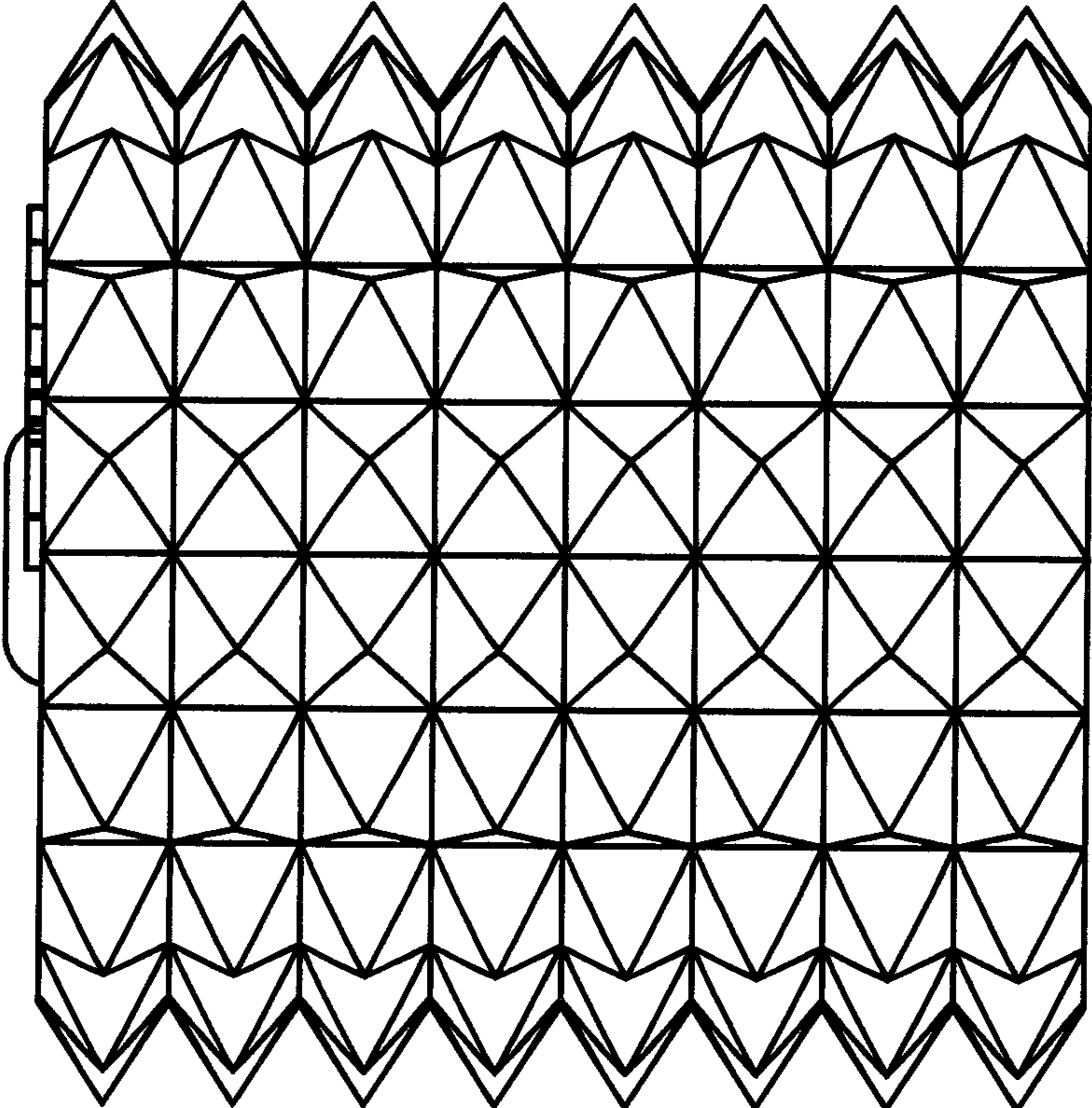




**Fig. 8**



**Fig. 9**



**Fig. 10**