

US00D720187S

(12) **United States Design Patent**
Romley

(10) **Patent No.:** **US D720,187 S**

(45) **Date of Patent:** **** Dec. 30, 2014**

(54) **MUG**

(71) Applicant: **Michael Romley**, Phoenix, AZ (US)

(72) Inventor: **Michael Romley**, Phoenix, AZ (US)

(**) Term: **14 Years**

(21) Appl. No.: **29/462,689**

(22) Filed: **Aug. 7, 2013**

(51) **LOC (10) Cl.** **07-01**

(52) **U.S. Cl.**
USPC **D7/536; D7/532**

(58) **Field of Classification Search**
USPC D7/509, 523, 532, 524, 533, 536, 525,
D7/529, 624.2, 607, 566, 558, 537, 531,
D7/691; 215/374, 377; 220/703, 704,
220/592.16, 592.17; 229/128; D34/1
See application file for complete search history.

(56) **References Cited**

U.S. PATENT DOCUMENTS

D356,503 S *	3/1995	Mueller et al.	D7/523
5,400,907 A *	3/1995	Chen	206/459.1
D356,925 S *	4/1995	Wonder	D7/536
D383,039 S *	9/1997	Densmore	D7/536
5,803,306 A *	9/1998	Lewis	220/662

5,904,268 A *	5/1999	Daly	220/703
D416,444 S *	11/1999	Jørgensen	D7/536
D534,396 S *	1/2007	Kramer	D7/532
D562,072 S *	2/2008	Wahl	D7/510
D567,568 S *	4/2008	Bodum	D7/316
8,028,850 B2 *	10/2011	Zimmerman	220/23.89
D656,361 S *	3/2012	Gilbert	D7/536
D659,474 S *	5/2012	Wahl et al.	D7/510
D679,947 S *	4/2013	Romley	D7/532
D680,378 S *	4/2013	Romley	D7/536

* cited by examiner

Primary Examiner — Marianne Pandozzi

(74) *Attorney, Agent, or Firm* — Venjuris, PC

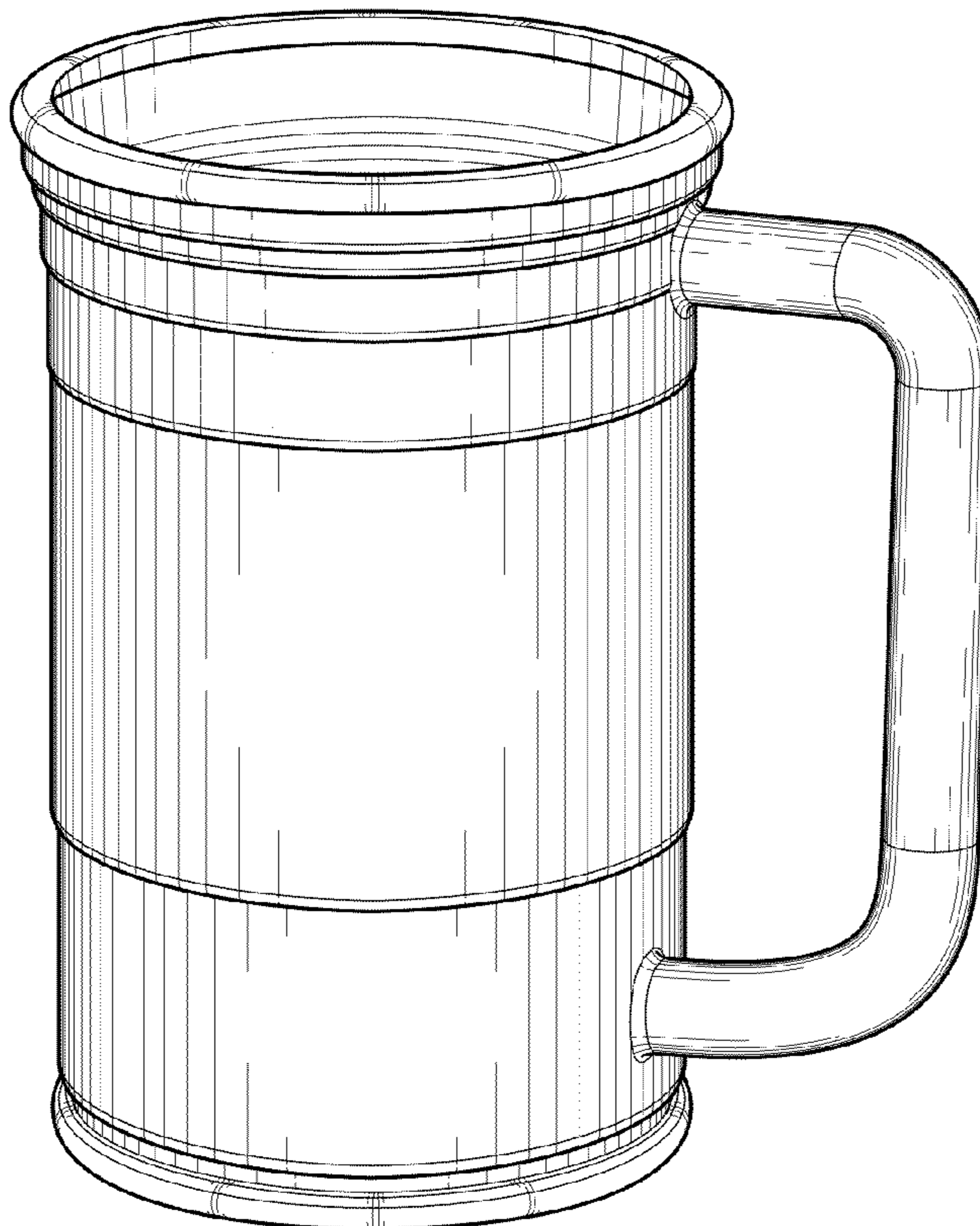
(57) **CLAIM**

The ornamental design for a mug, as shown and described.

DESCRIPTION

FIG. 1 is a top front perspective view of a mug embodying the new design;
FIG. 2 is a rear view of the mug of FIG. 1;
FIG. 3 is a left side view of the mug of FIG. 1;
FIG. 4 is a right side view of the mug of FIG. 1;
FIG. 5 is a top view of the mug of FIG. 1;
FIG. 6 is a bottom view of the mug of FIG. 1; and,
FIG. 7 is a sectional view of the mug taken along cut line 7-7 of FIG. 5.

1 Claim, 5 Drawing Sheets



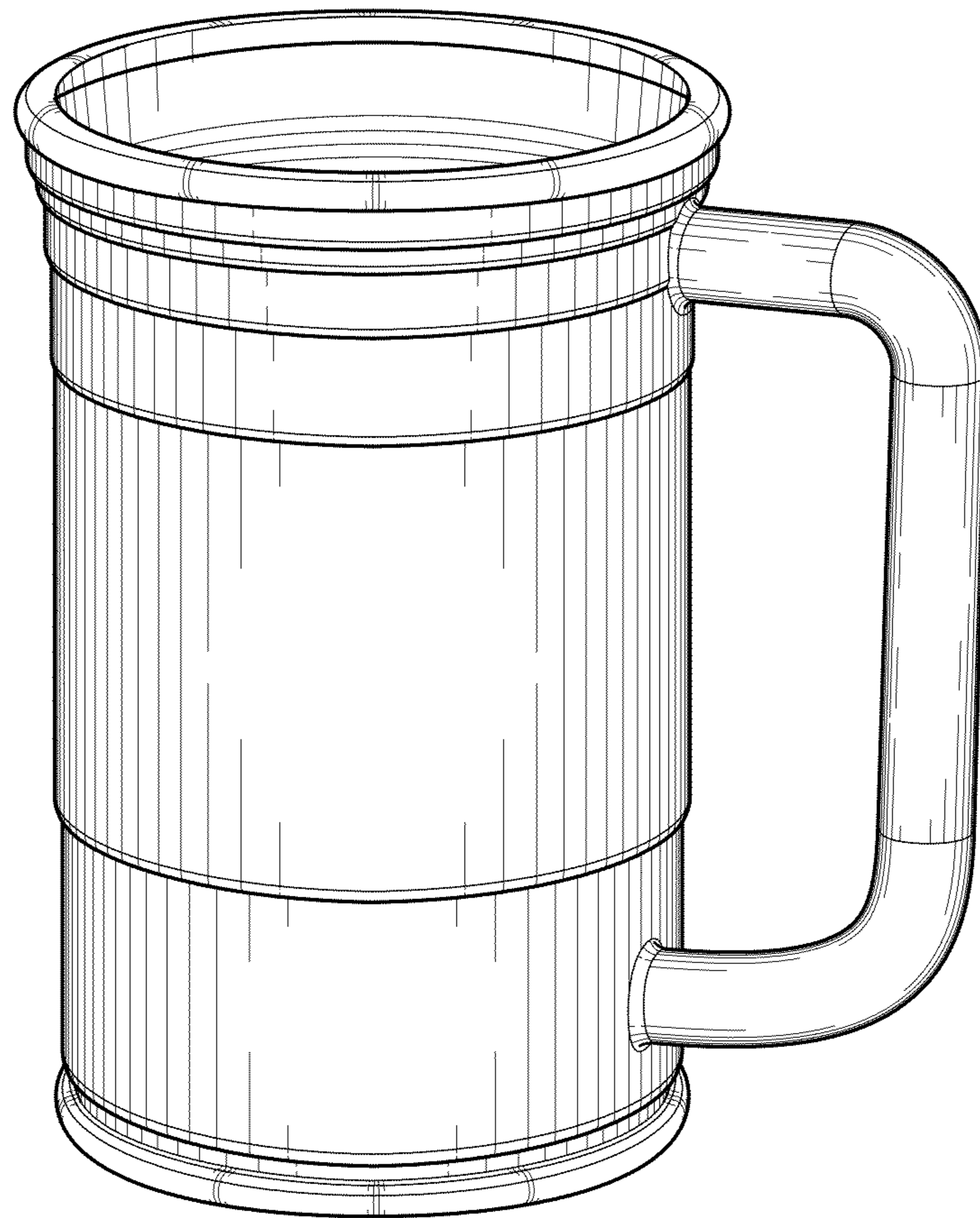


FIG. 1

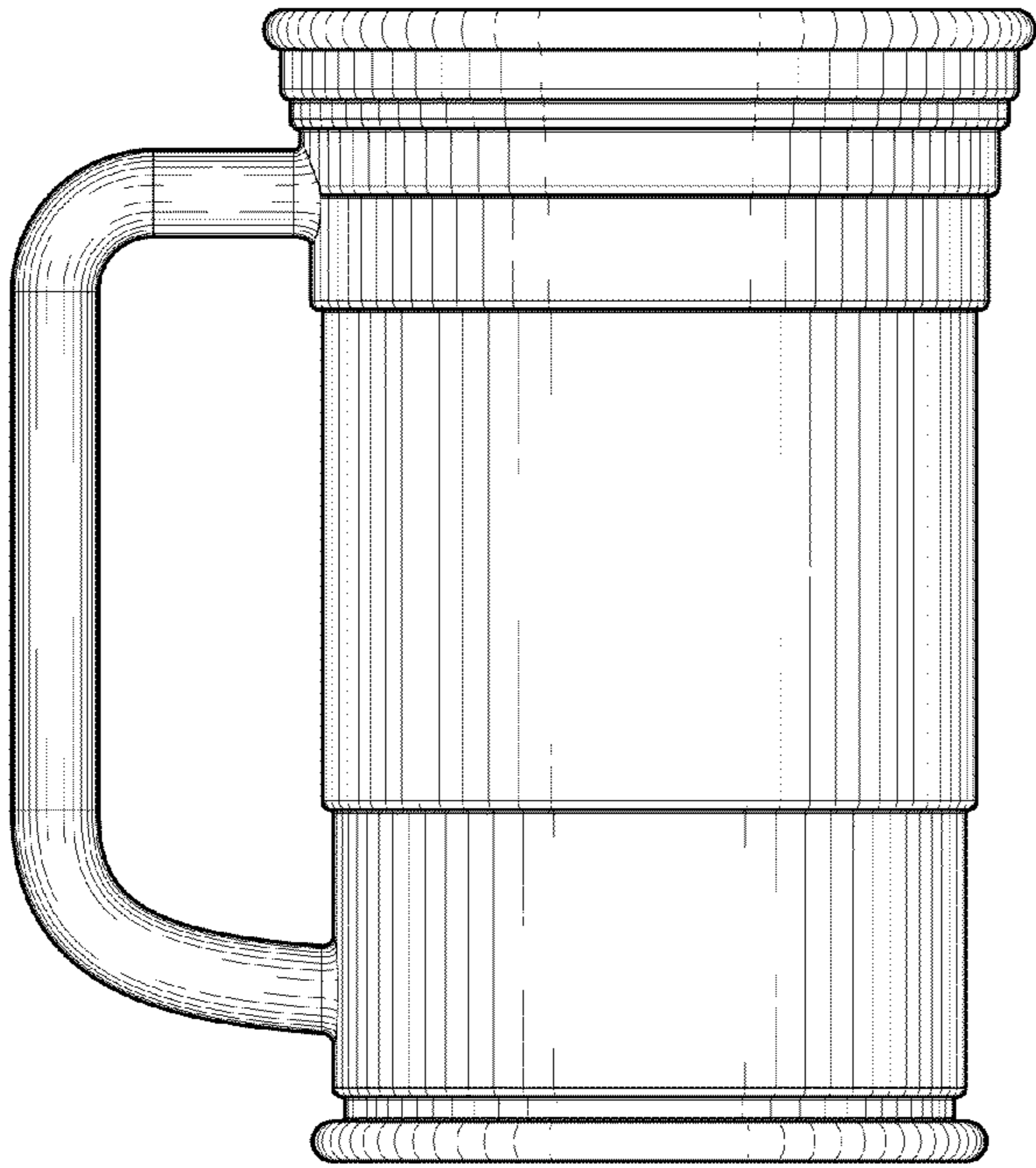


FIG. 2

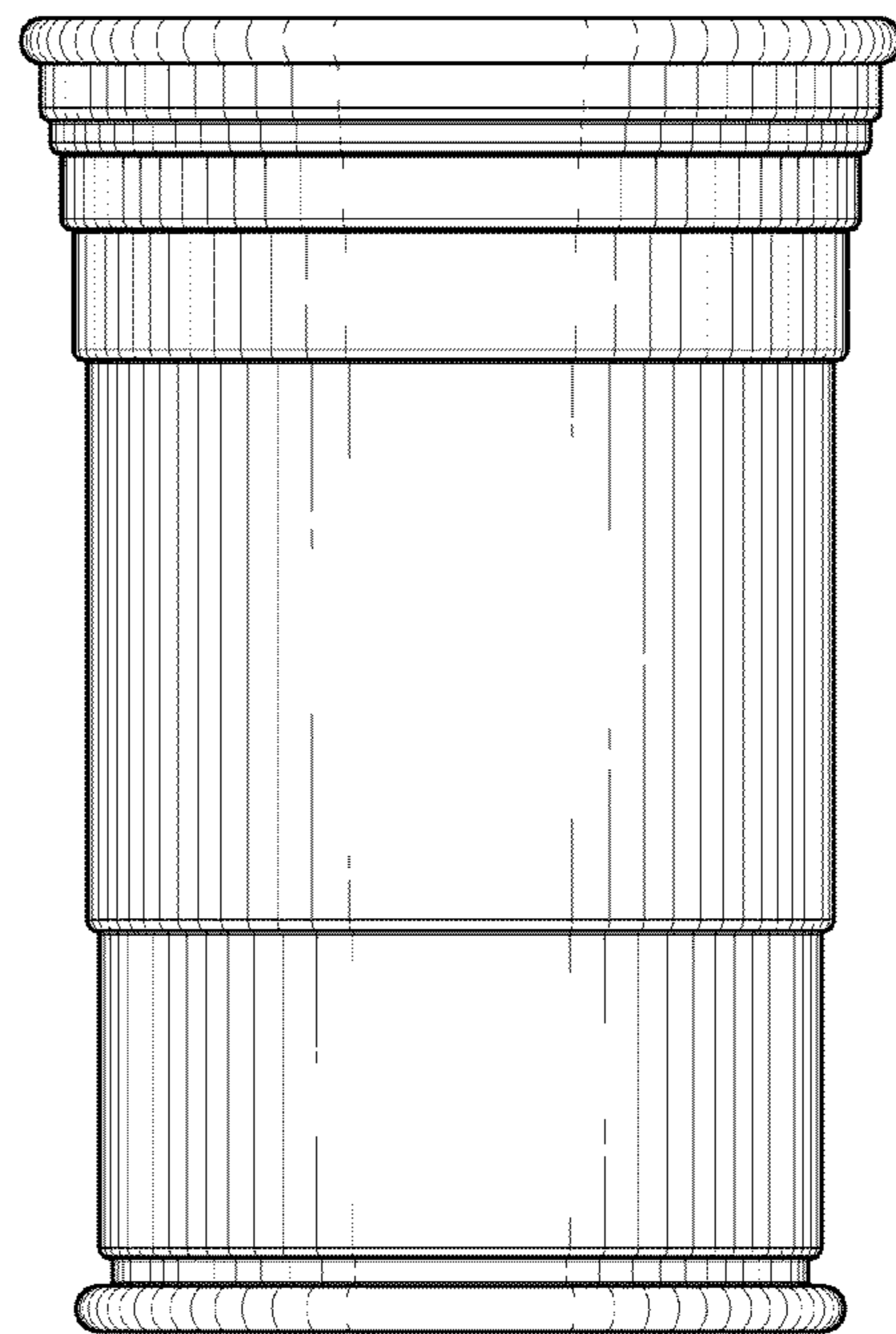


FIG. 3

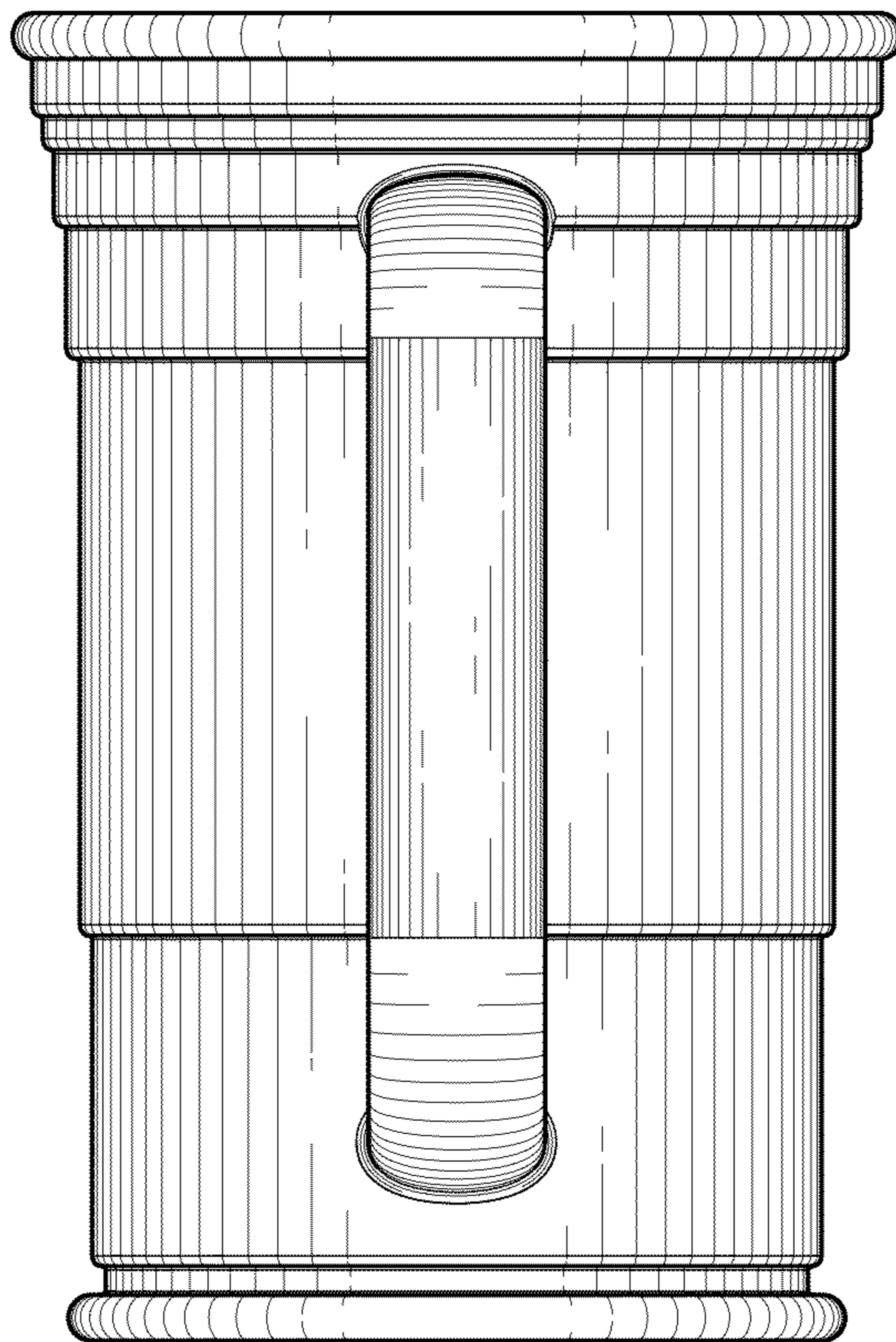


FIG. 4

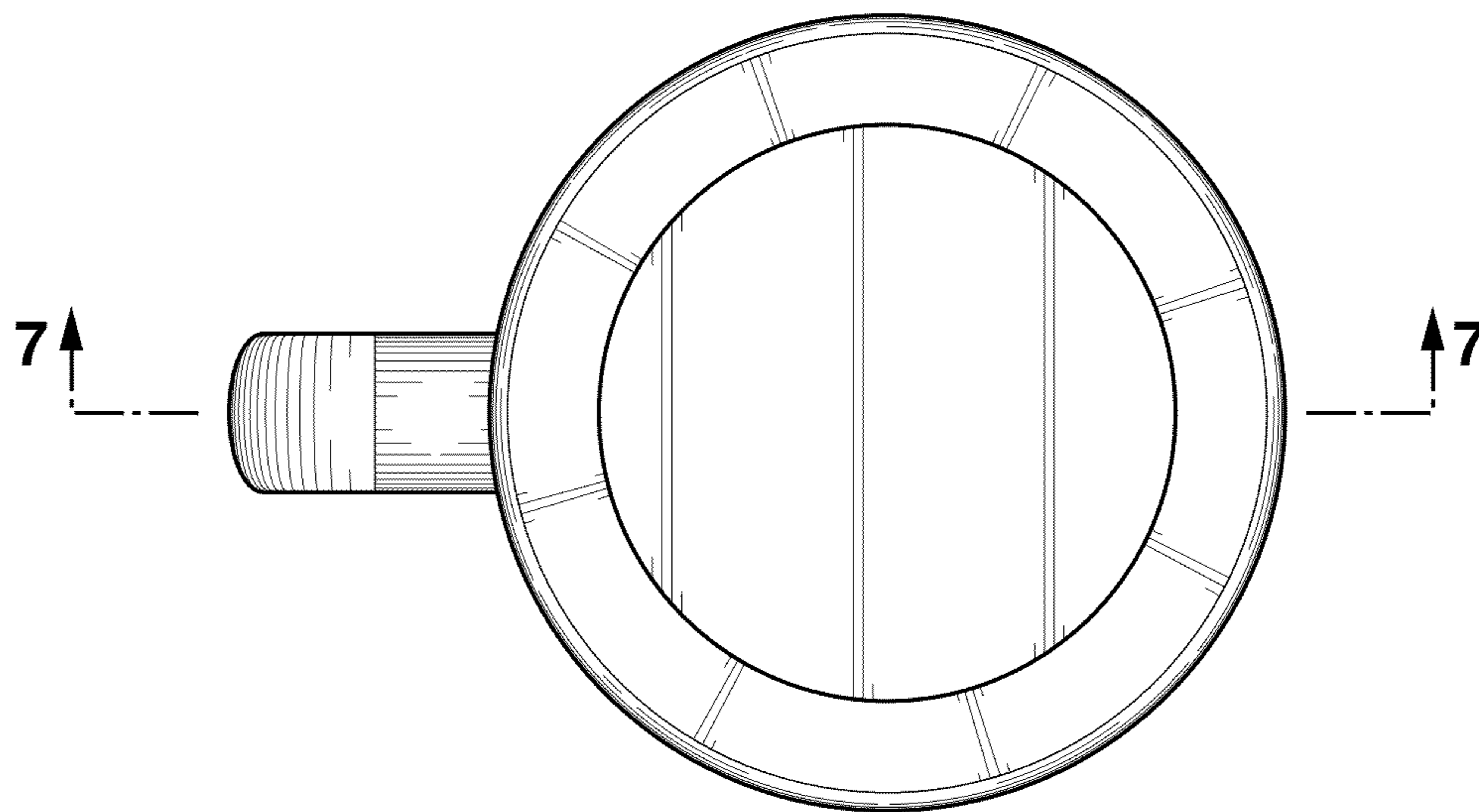


FIG. 5

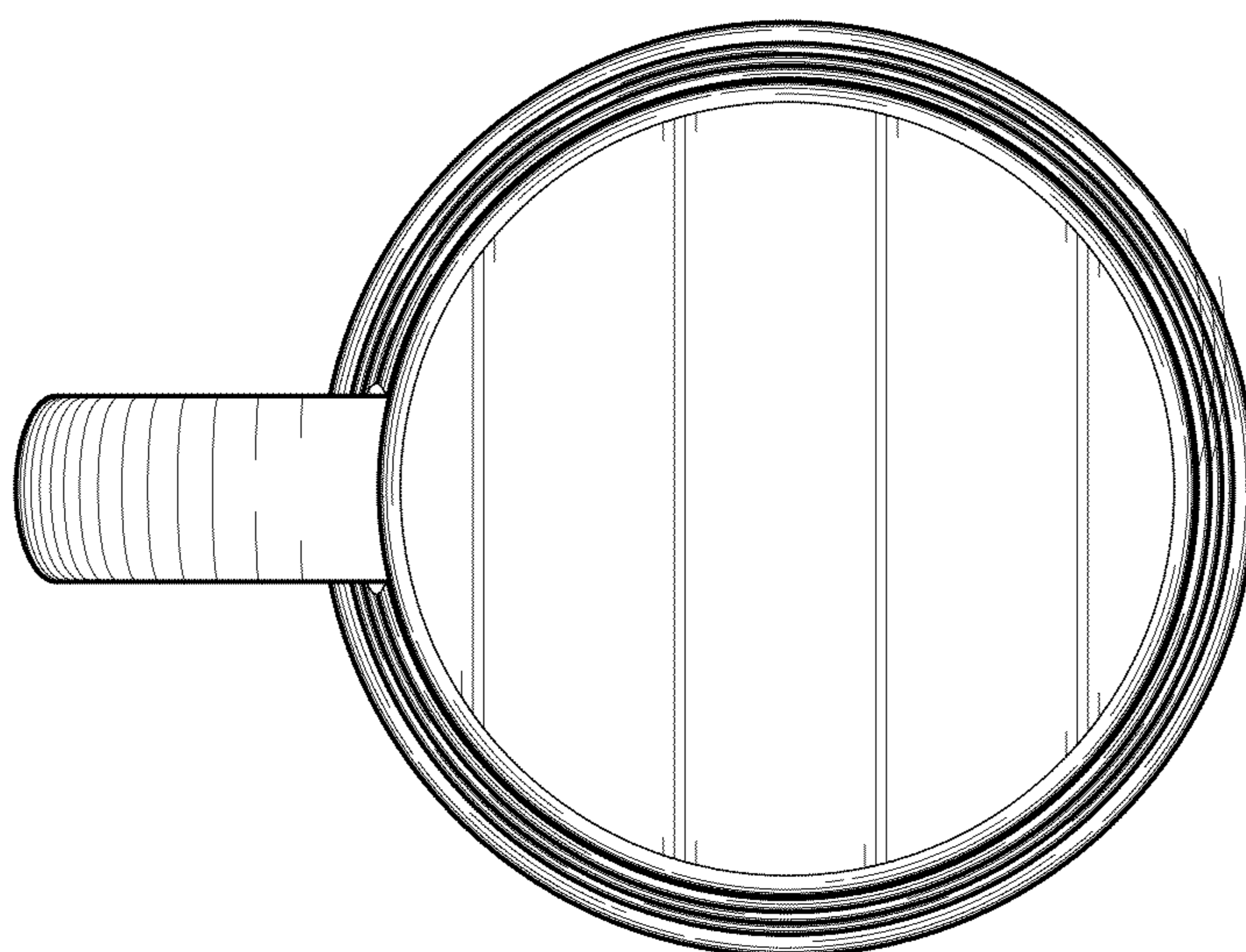


FIG. 6

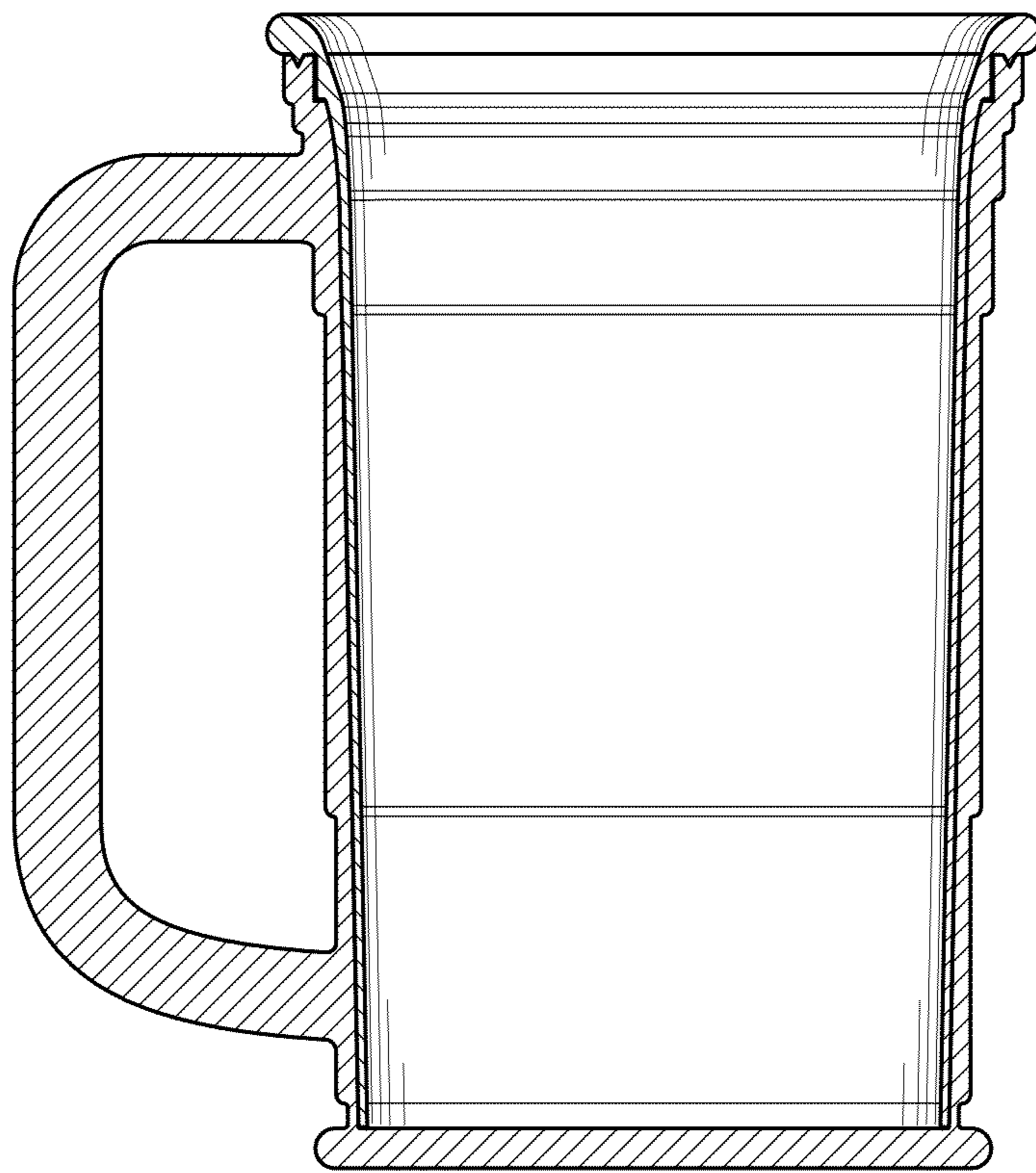


FIG. 7