



US00D720186S

(12) **United States Design Patent**
Lane et al.

(10) **Patent No.:** **US D720,186 S**
(45) **Date of Patent:** **** Dec. 30, 2014**

(54) **BEVERAGE BOTTLE**
(71) Applicant: **Thermos L.L.C.**, Schaumburg, IL (US)
(72) Inventors: **Marvin Lane**, Round Lake Beach, IL (US); **Dwayne Boroski**, Lake in the Hills, IL (US)
(73) Assignee: **Thermos L.L.C.**, Schaumburg, IL (US)

D593,367 S * 6/2009 Brooks D7/529
D622,547 S 8/2010 Carreno
D622,549 S 8/2010 Carreno

FOREIGN PATENT DOCUMENTS

CN 302801900 * 11/2013
EM 002367110-0001 * 12/2013
EM 002367110-0002 * 12/2013

* cited by examiner

(**) Term: **14 Years**

Primary Examiner — Susan Bennett Hattan

Assistant Examiner — Leanne Was

(21) Appl. No.: **29/458,023**

(74) *Attorney, Agent, or Firm* — Polsinelli PC

(22) Filed: **Jun. 14, 2013**

(57) **CLAIM**

(51) **LOC (10) Cl.** **07-01**

The ornamental design for a beverage bottle, as shown and described.

(52) **U.S. Cl.**

DESCRIPTION

USPC **D7/533**

(58) **Field of Classification Search**

USPC D7/300, 300.1, 507, 509, 510, 511, 512, D7/514, 523, 529, 532, 533, 536, 608; D9/502, 503, 504, 523, 525, 529, 530, D9/531, 549; D24/197; 206/457; 215/11.1, 215/315, 373, 382, 384, 398; 220/592.16, 220/602, 669, 703, 705, 713, 715, 717, 737, 220/771; 222/109; 229/400, 403; 362/101

See application file for complete search history.

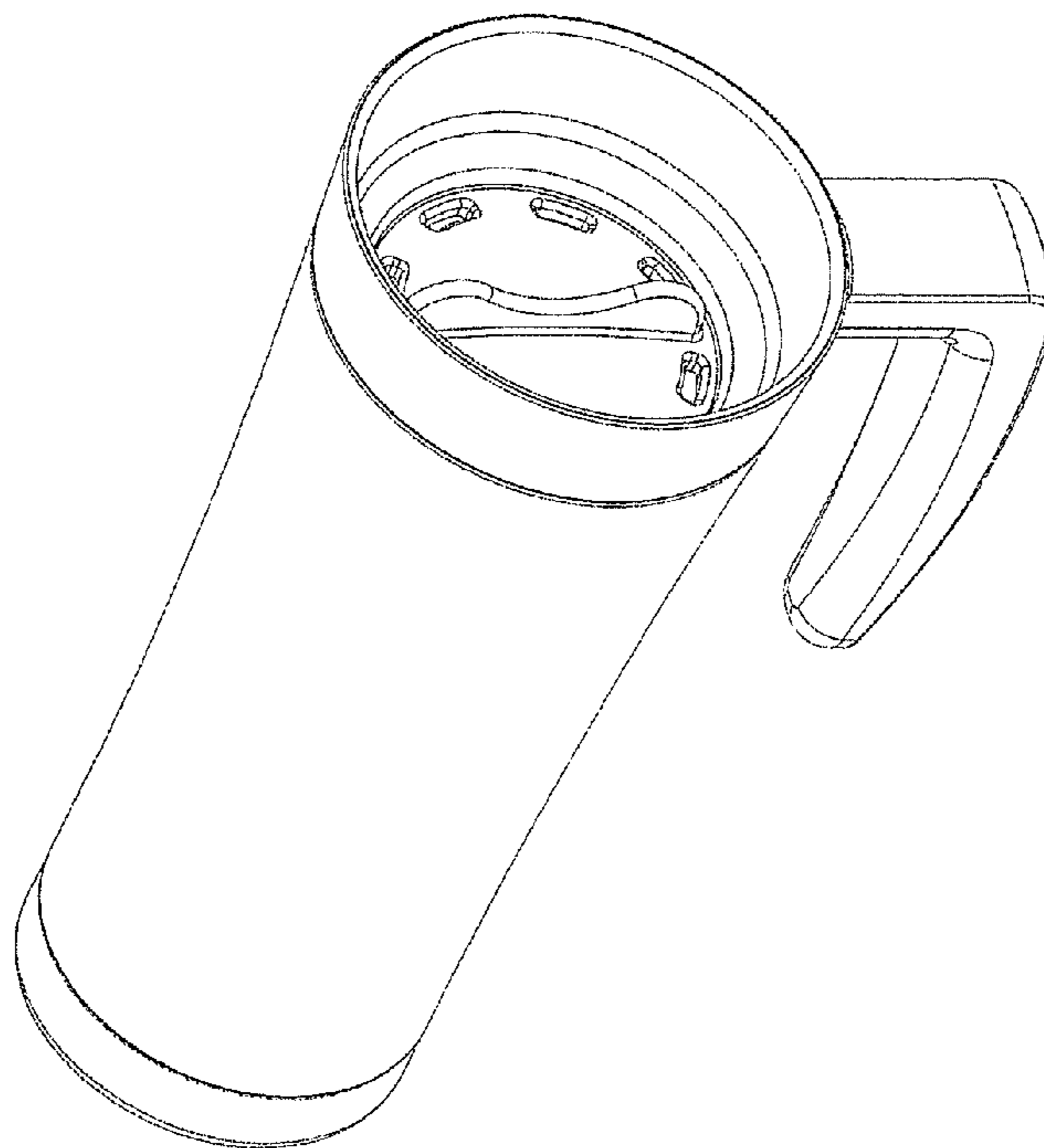
FIG. 1 is a top perspective view of the beverage bottle; FIG. 2 is a bottom perspective view of the beverage bottle shown in FIG. 1; FIG. 3 is a top plan view of the beverage bottle shown in FIG. 1; FIG. 4 is a front elevational view of the beverage bottle shown in FIG. 1; FIG. 5 is a right side elevational view of the beverage bottle shown in FIG. 1; FIG. 6 is a rear elevational view of the beverage bottle shown in FIG. 1; FIG. 7 is a left side elevational view of the beverage bottle shown in FIG. 1; and, FIG. 8 is a bottom plan view of the beverage bottle shown in FIG. 1.

(56) **References Cited**

U.S. PATENT DOCUMENTS

D469,309 S * 1/2003 Janky D7/510
D548,525 S * 8/2007 Gibbons et al. D7/510
D553,436 S * 10/2007 George D7/510
D563,168 S * 3/2008 Gibbons et al. D7/510

1 Claim, 8 Drawing Sheets



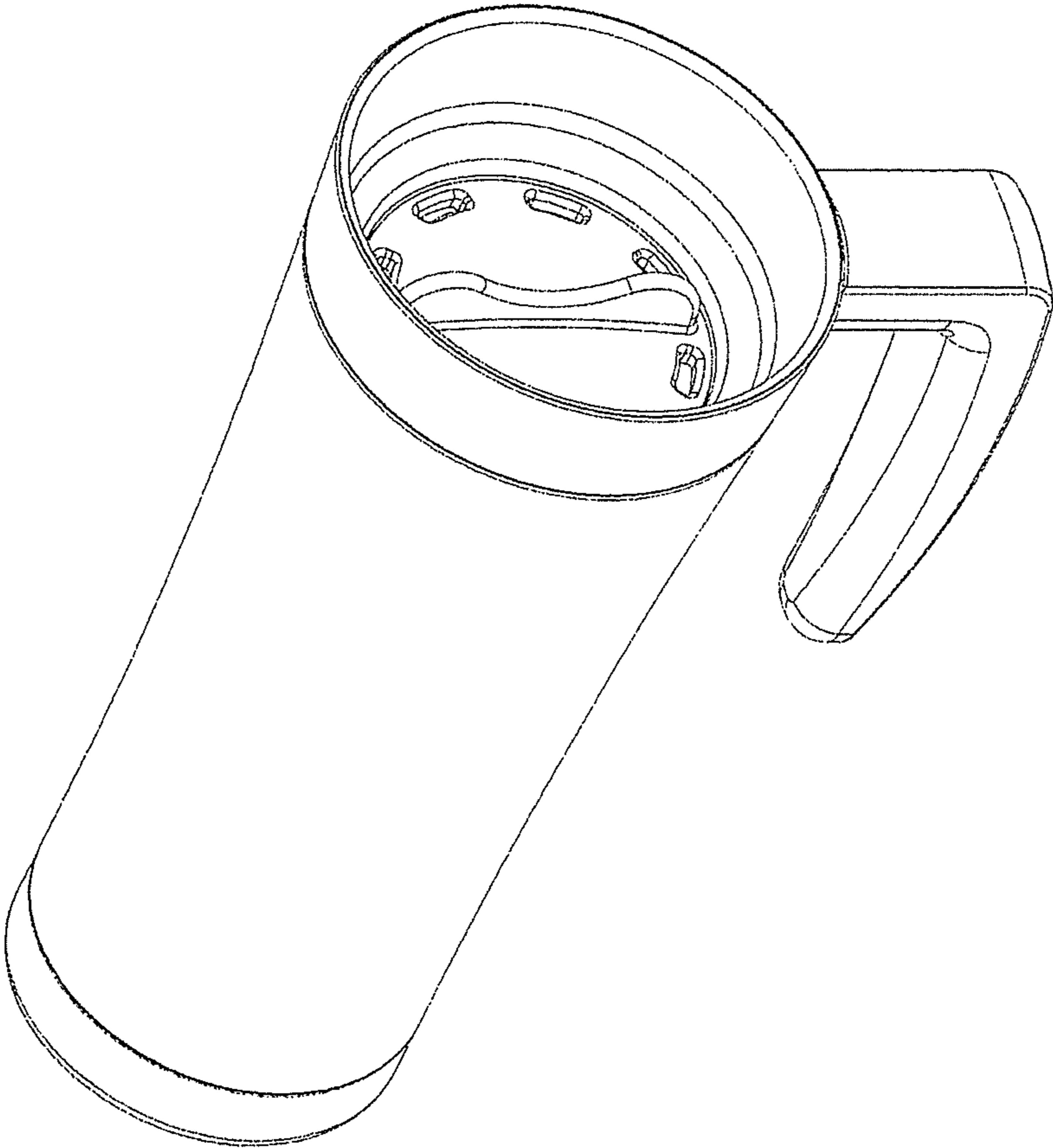


FIG. 1

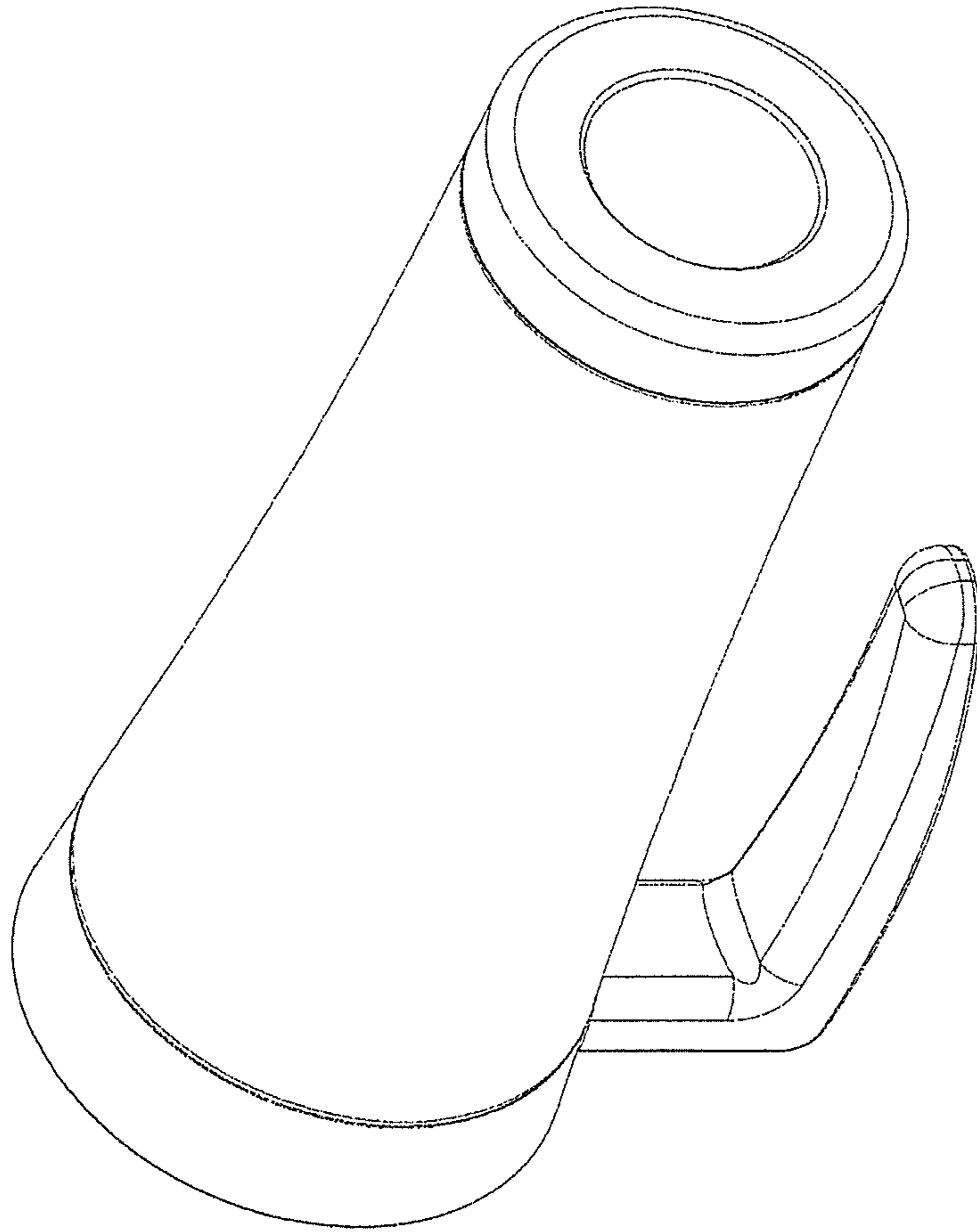


FIG. 2

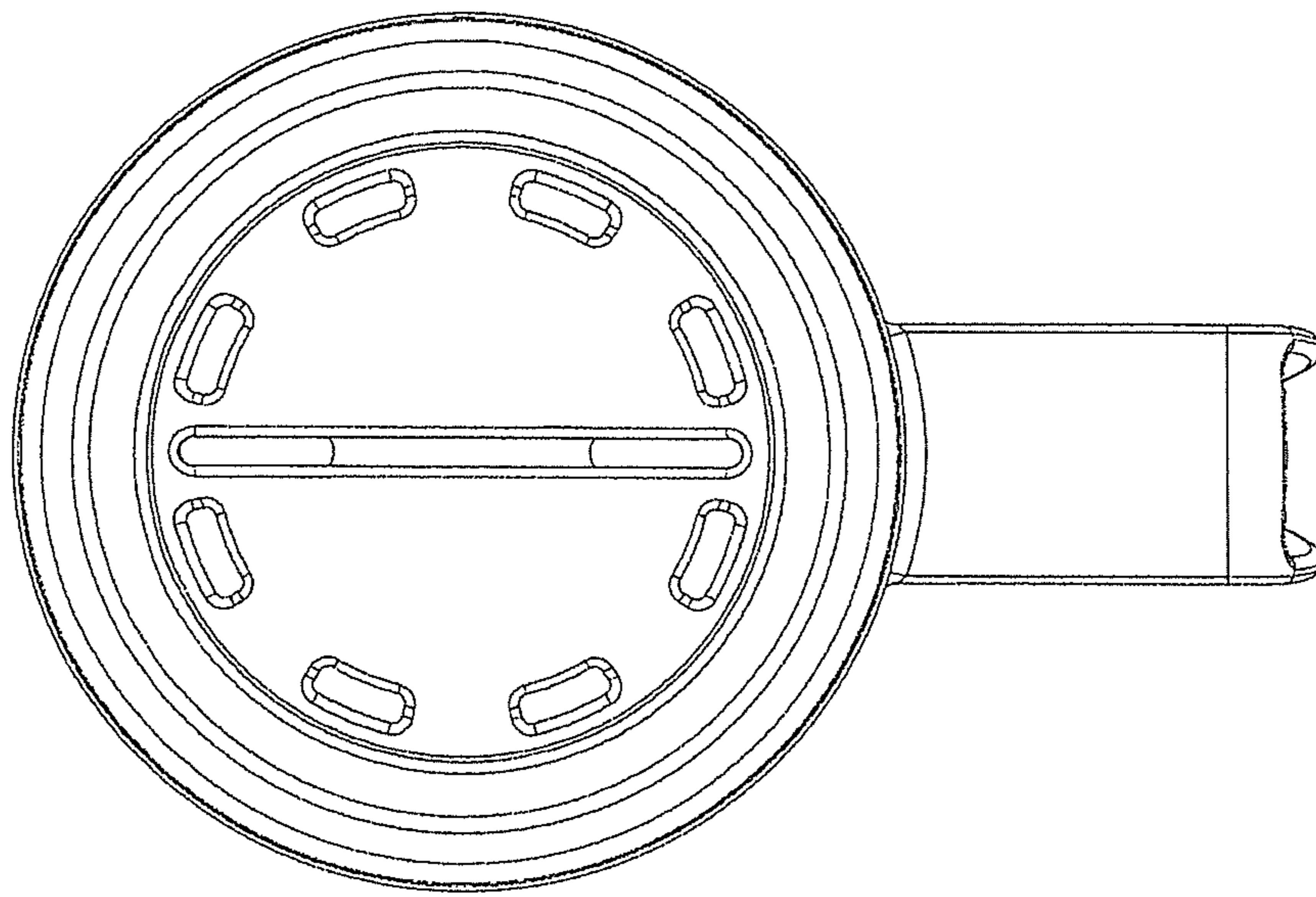


FIG. 3

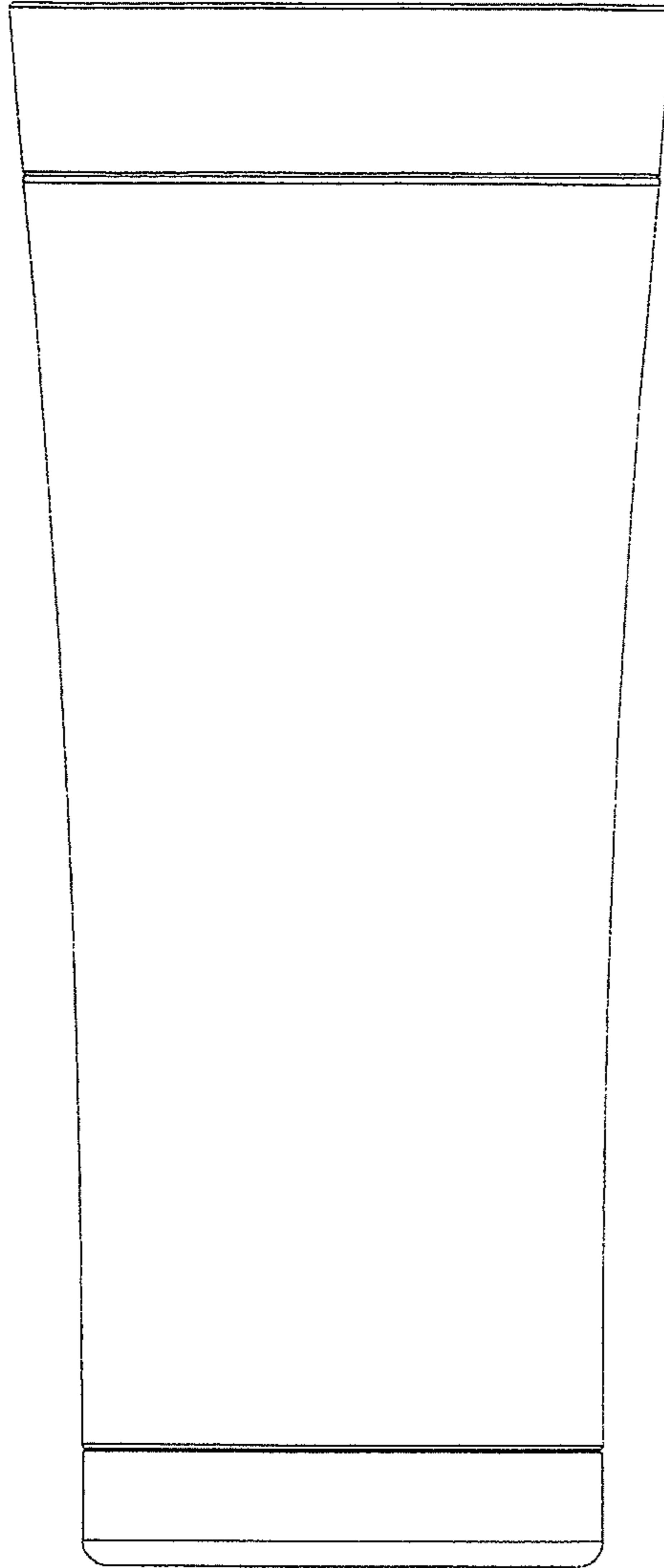


FIG. 4

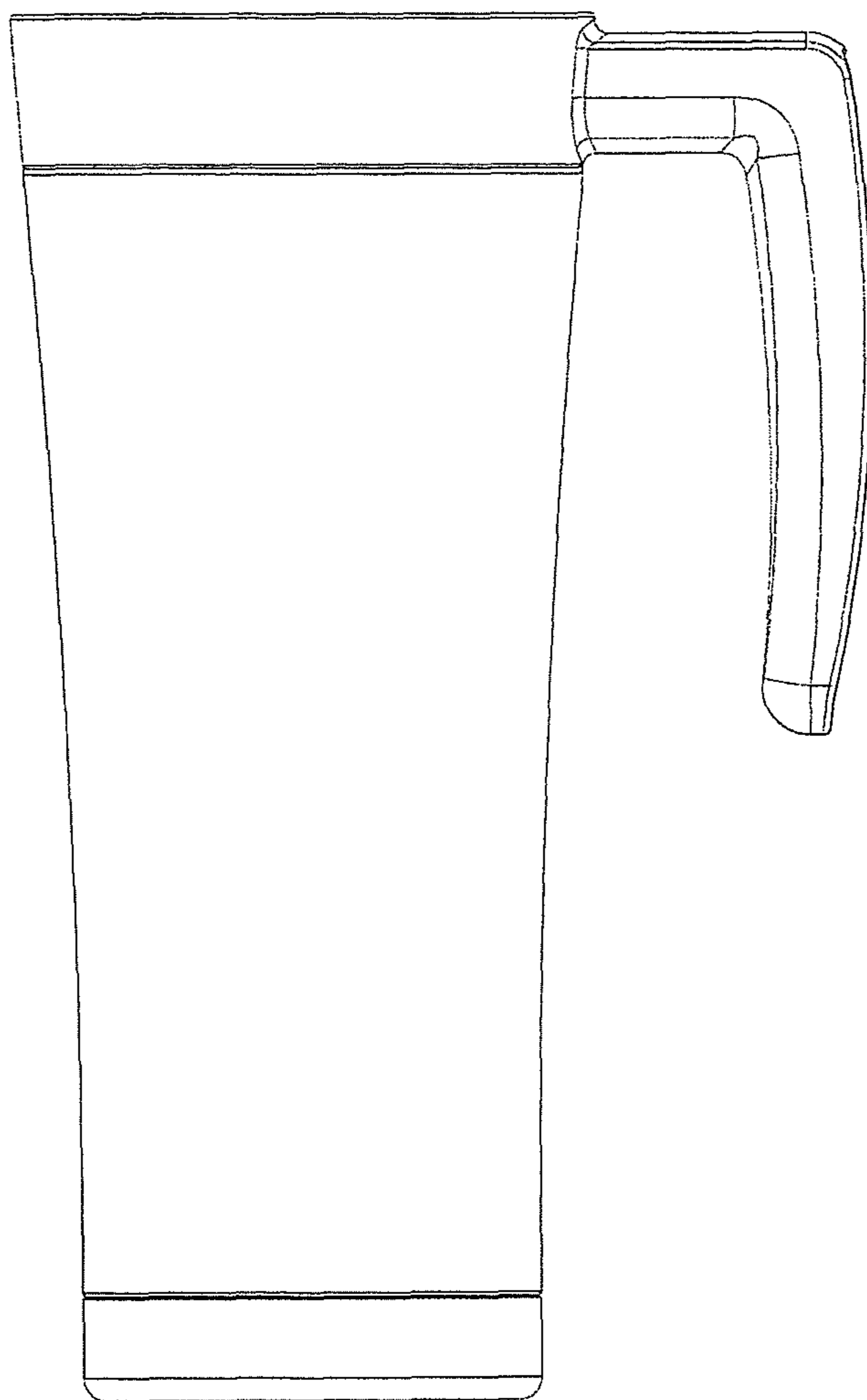


FIG. 5

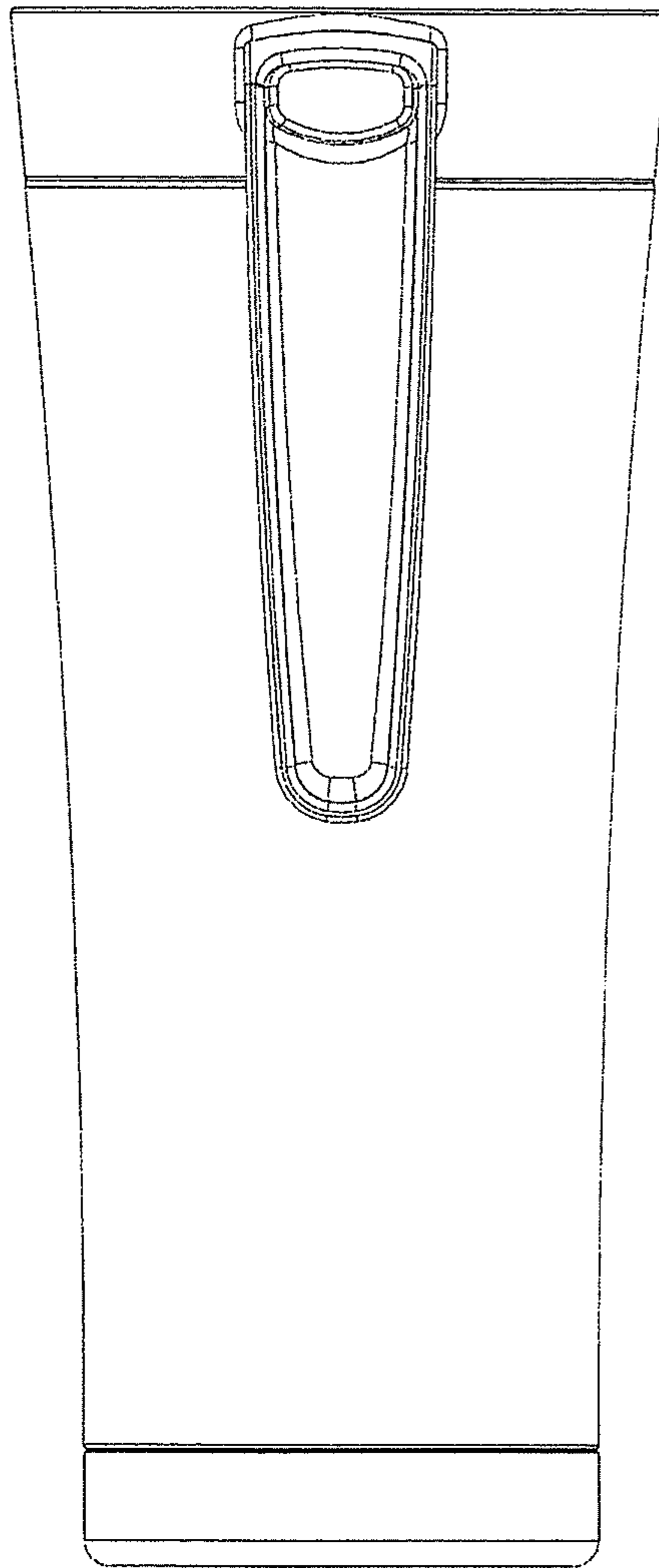


FIG. 6

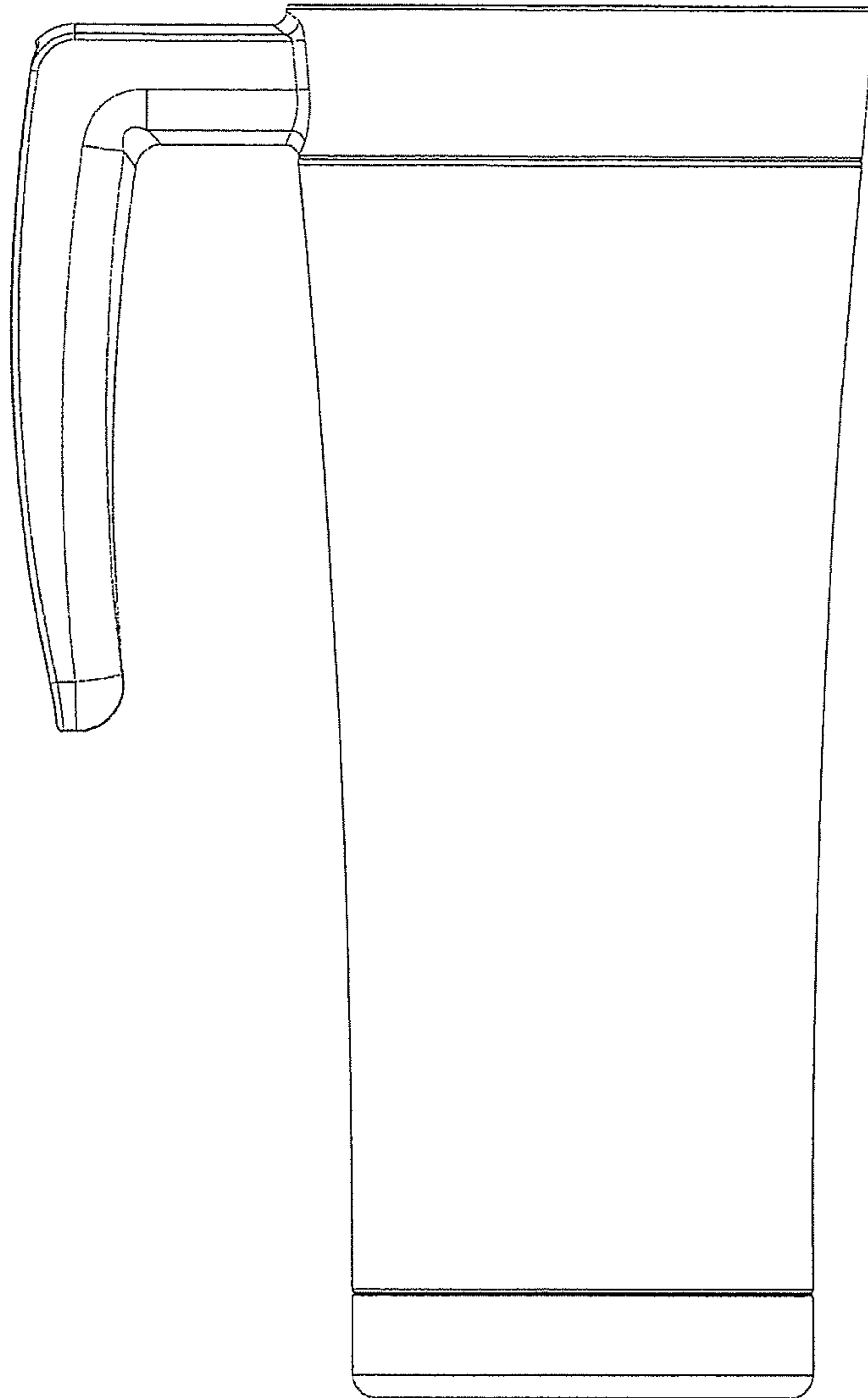


FIG. 7

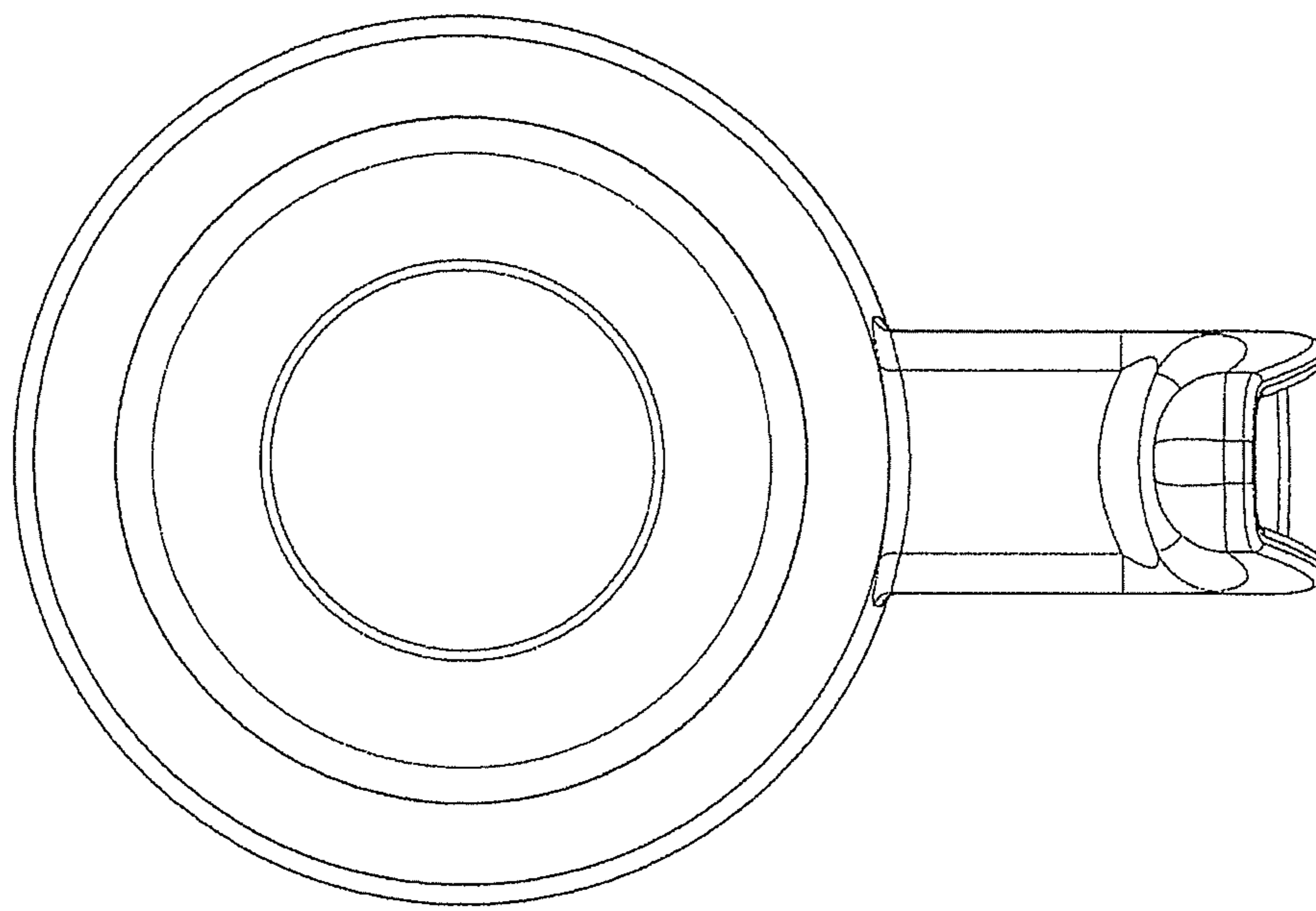


FIG. 8