



US00D720183S

(12) **United States Design Patent**
Chiang

(10) **Patent No.:** **US D720,183 S**

(45) **Date of Patent:** **** Dec. 30, 2014**

(54) **WINE TUMBLER**

(71) Applicant: **Chen Sung Chiang**, Taipei (CN)

(72) Inventor: **Chen Sung Chiang**, Taipei (CN)

(73) Assignee: **Fourstar Group Inc.** (TW)

(**) Term: **14 Years**

(21) Appl. No.: **29/466,078**

(22) Filed: **Sep. 4, 2013**

(51) **LOC (10) Cl.** **07-01**

(52) **U.S. Cl.**
USPC **D7/510**

(58) **Field of Classification Search**
CPC A47G 19/2205-19/2222
USPC D7/509, 510, 523, 524, 511, 527;
220/592.16, 592.17, 703, 705, 710,
220/711, 713-715, 678
See application file for complete search history.

(56) **References Cited**

U.S. PATENT DOCUMENTS

D453,837 S *	2/2002	Lodge	D24/224
D475,891 S *	6/2003	Bin	D7/510
D486,996 S *	2/2004	Karp	D7/510
D493,332 S *	7/2004	Bin	D7/510
D561,535 S *	2/2008	Jin	D7/531
D565,903 S *	4/2008	Bodum	D7/523
D572,083 S *	7/2008	Tien	D7/510
D572,975 S *	7/2008	Germany	D7/510
D599,619 S *	9/2009	Bodum	D7/509
D618,510 S *	6/2010	Ross	D7/523
D637,456 S *	5/2011	Creech et al.	D7/523

D651,468 S *	1/2012	Ozaydinli	D7/523
8,157,120 B2 *	4/2012	Yang	220/678
D693,176 S	11/2013	Kaiser	
D698,200 S *	1/2014	Lauwagie	D7/523
D698,201 S	1/2014	Bradford et al.	
D709,328 S *	7/2014	Ross	D7/507
2005/0194340 A1 *	9/2005	Huang	215/6
2008/0023347 A1 *	1/2008	Wahl et al.	206/217

OTHER PUBLICATIONS

Vino2Go, Jul. 3, 2012, The Product Farm, <theproductfarm.com/vino2go/>.*
Amazon.com:Oenophila Double Wall Wine Glass; http://web.archive.org/web/20110528222139/http://www.amazon.com/Oenophila-Double-Wall-Wine-Glass/dp/B004ZTDESW.

* cited by examiner

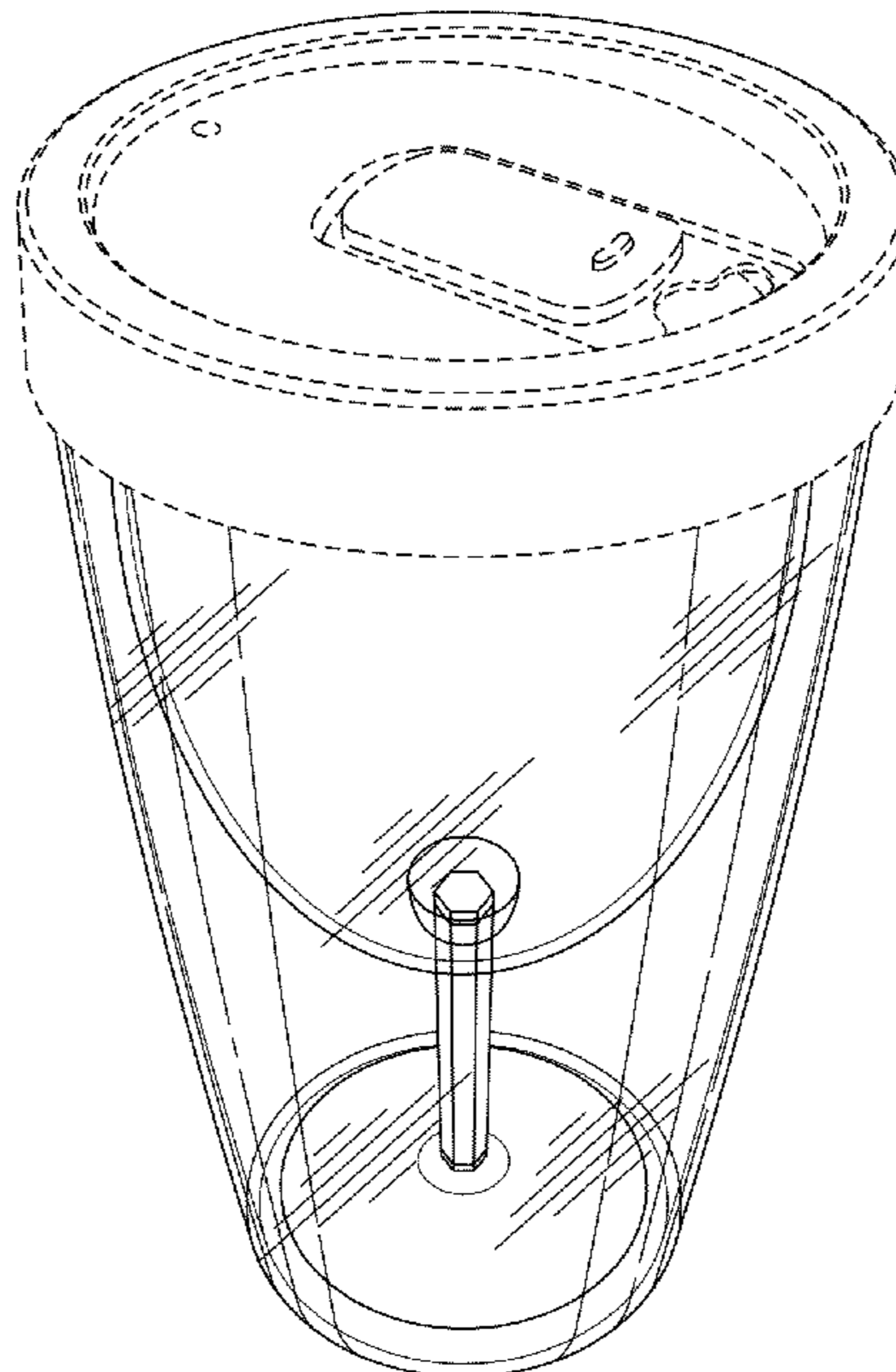
Primary Examiner — Susan Bennett Hattan
Assistant Examiner — Brett Miller
(74) *Attorney, Agent, or Firm* — Salter & Michaelson

(57) **CLAIM**
The ornamental design for a wine tumbler, as shown and described.

DESCRIPTION

FIG. 1 is a perspective view of a wine tumbler;
FIG. 2 is a right side elevational view thereof;
FIG. 3 is a left side elevational view thereof;
FIG. 4 is a rear elevational view thereof;
FIG. 5 is a front elevational view thereof;
FIG. 6 is a top plan view thereof; and,
FIG. 7 is a bottom plan view thereof.
The broken lines shown in the drawing views are included for the purpose of showing environmental structure that forms no part of the claimed design.

1 Claim, 6 Drawing Sheets



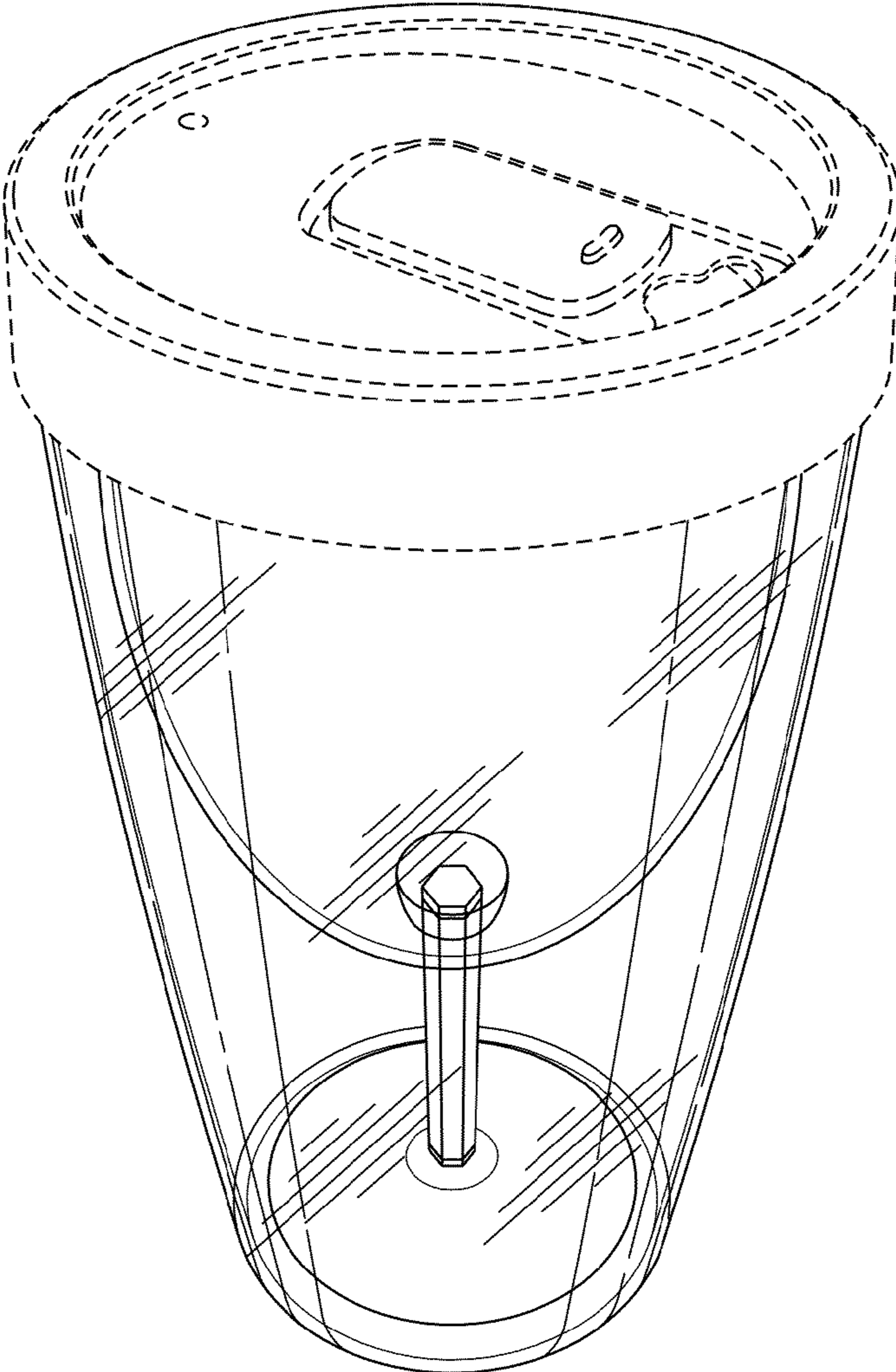


FIG. 1

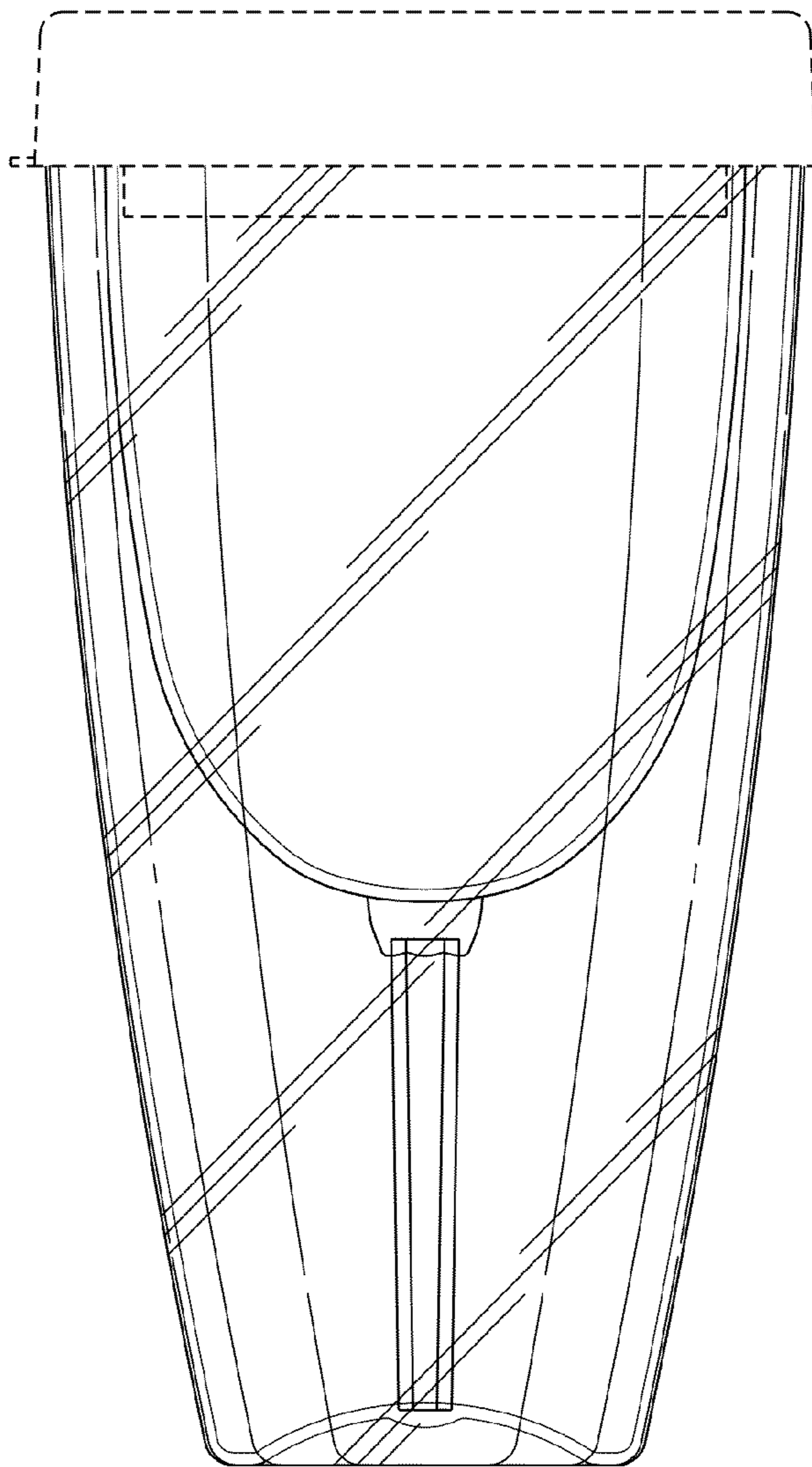


FIG. 2

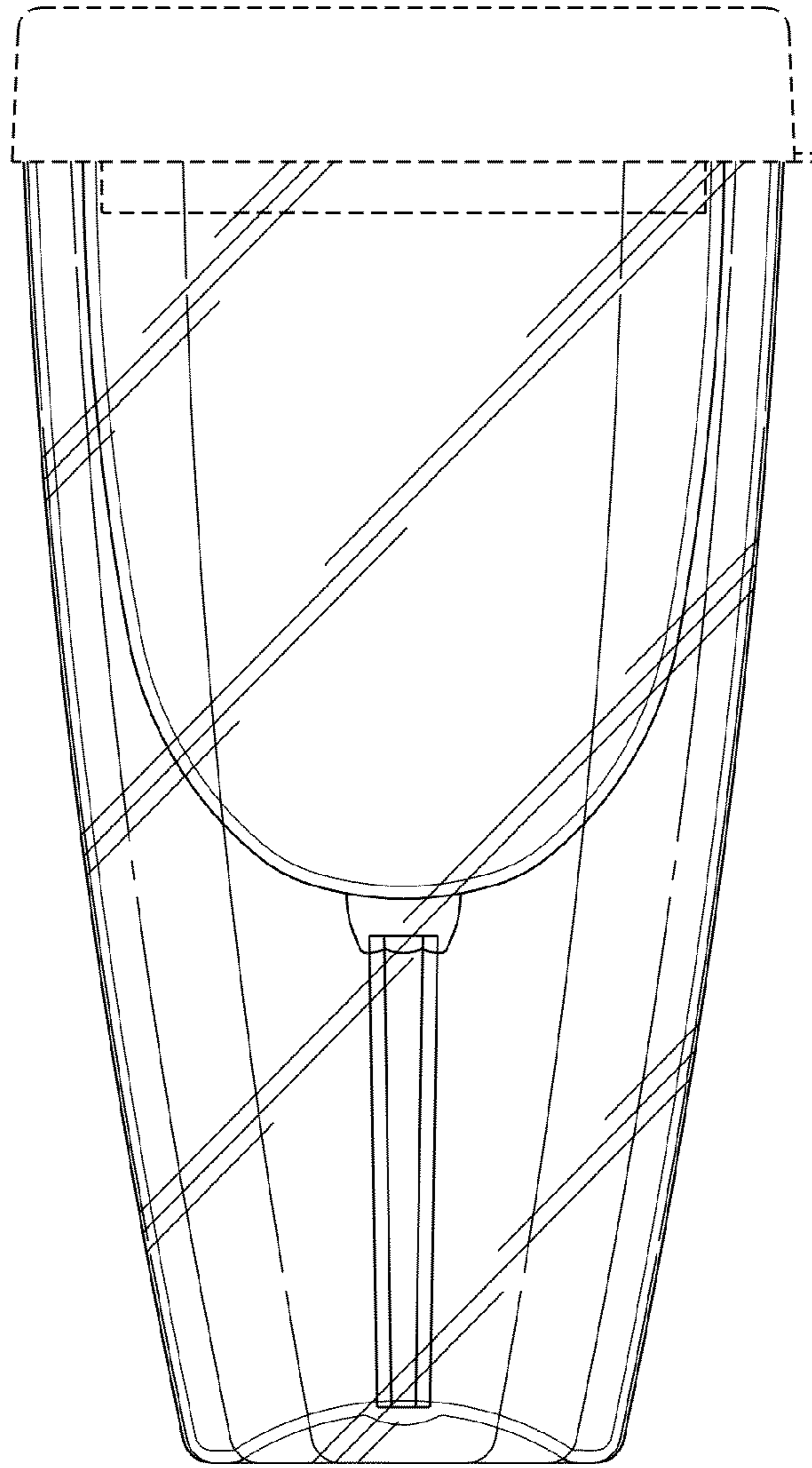


FIG. 3

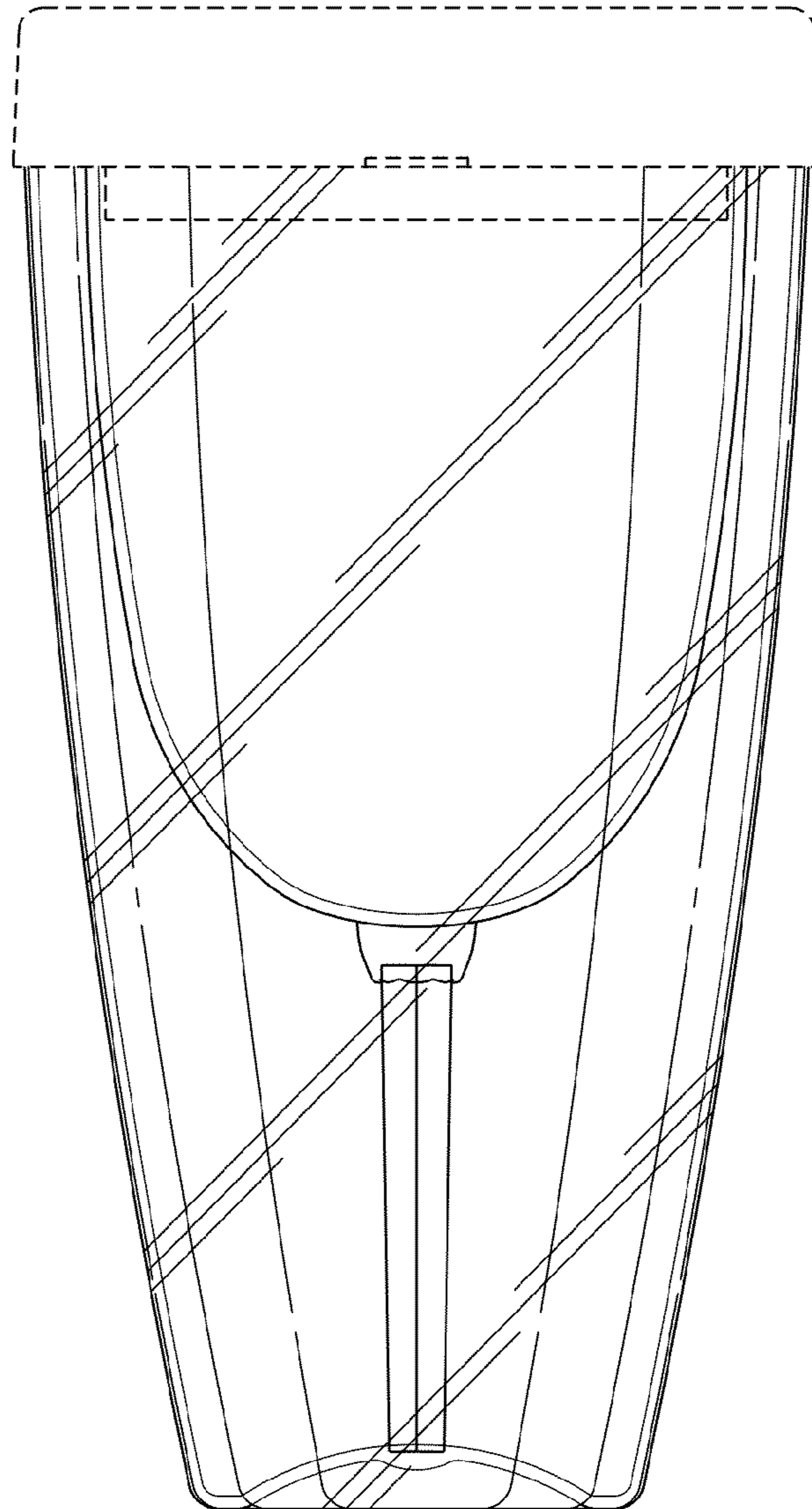


FIG. 4

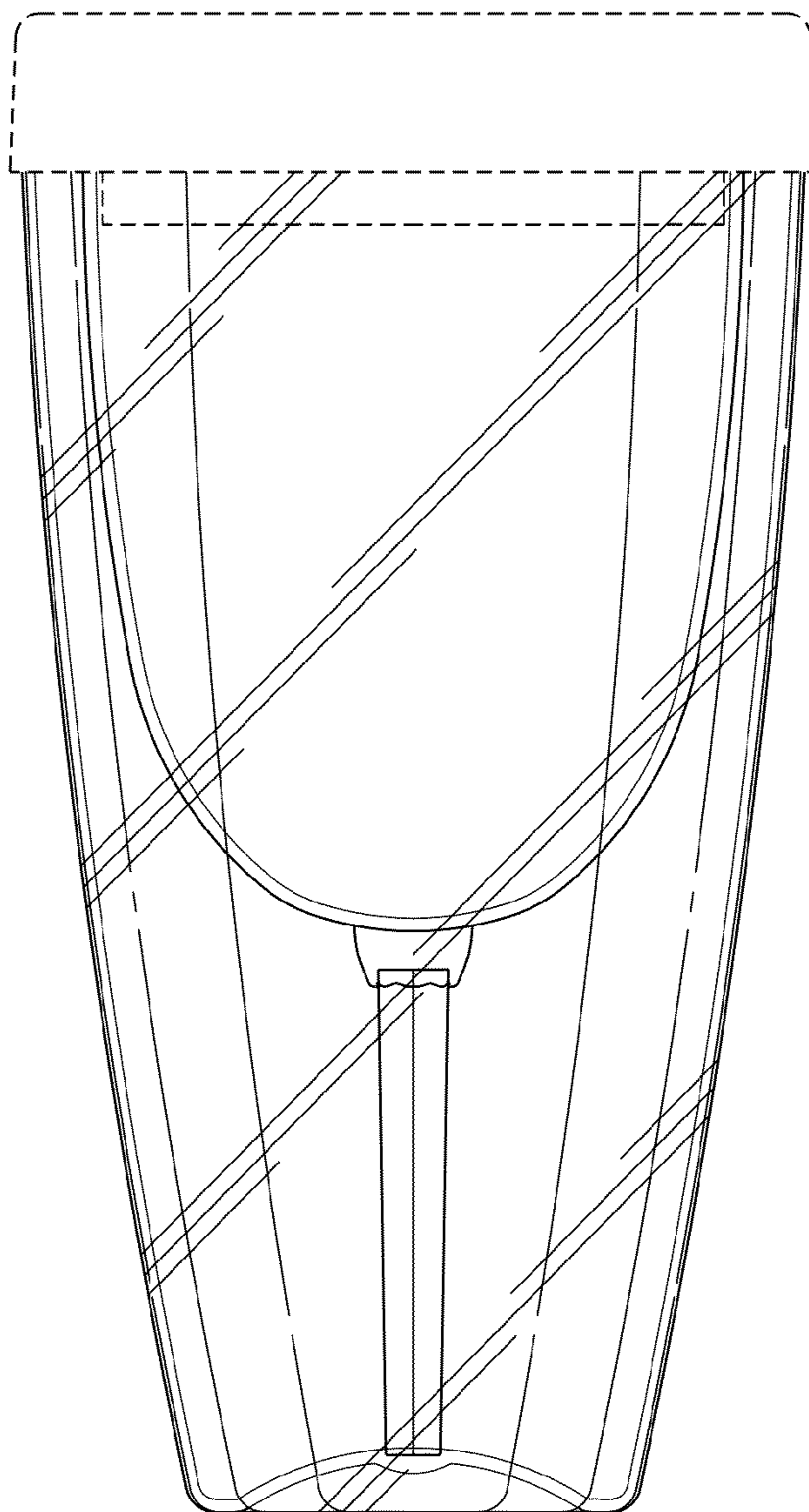


FIG. 5

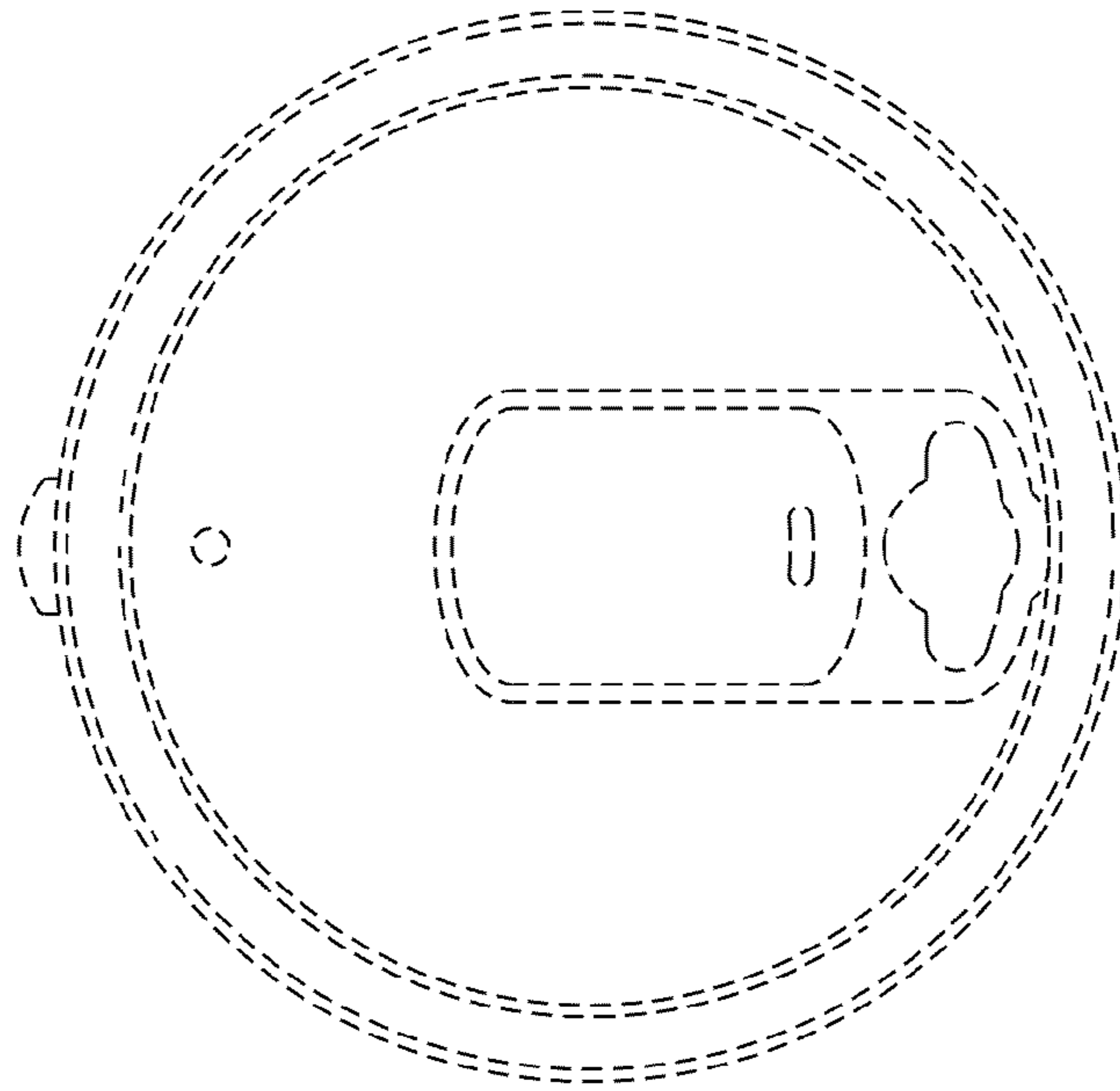


FIG. 6

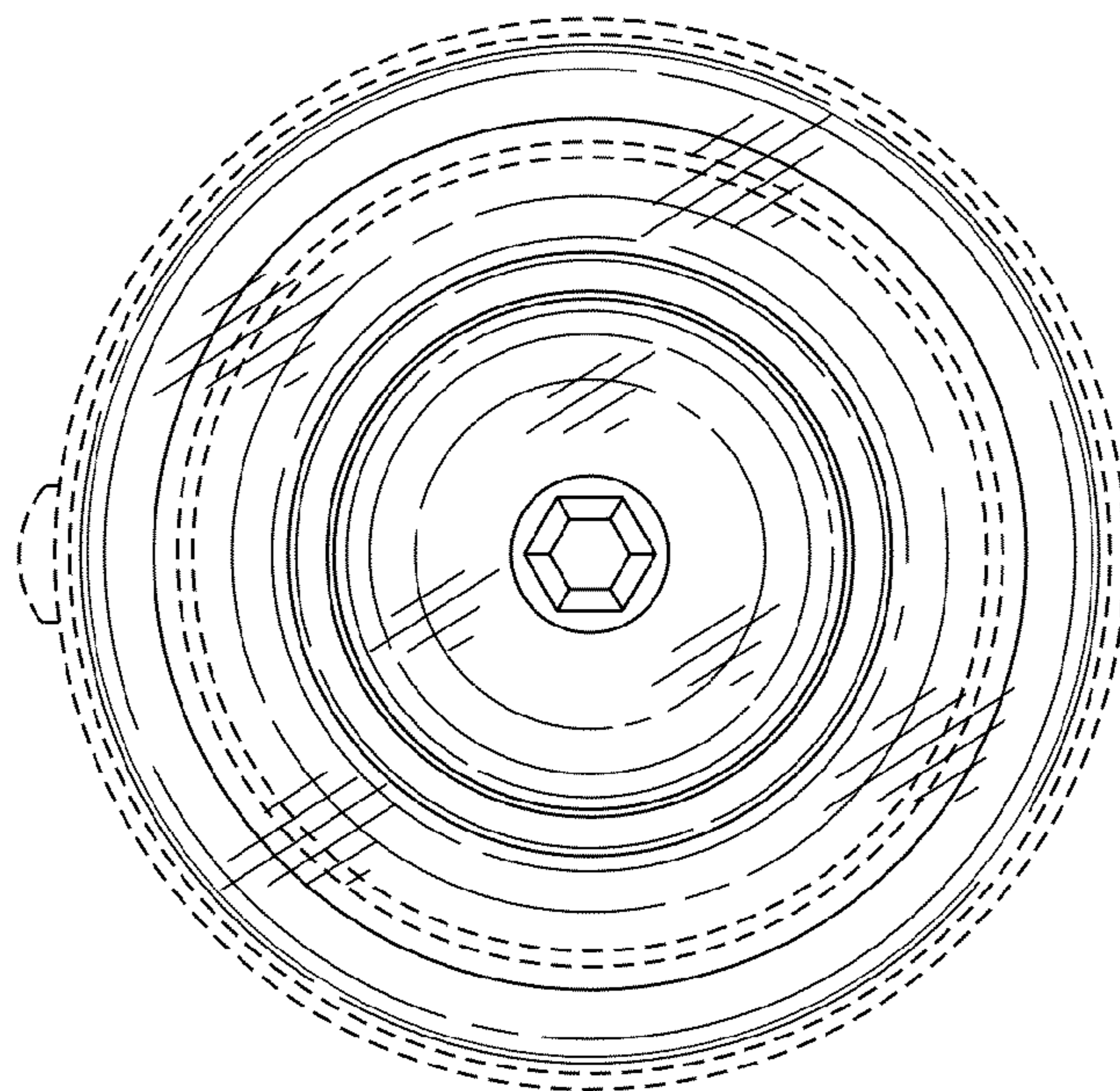


FIG. 7