

US00D720176S

(12) **United States Design Patent**
Norland et al.

(10) **Patent No.:** **US D720,176 S**

(45) **Date of Patent:** **** Dec. 30, 2014**

(54) **KETTLE**

(71) Applicant: **Whirlpool Corporation**, Benton Harbor, MI (US)

(72) Inventors: **Leif A. Norland**, Saint Joseph, MI (US);
Wenkai Wu, Inverness, IL (US)

(73) Assignee: **Whirlpool Corporation**, Benton Harbor, MI (US)

(**) Term: **14 Years**

(21) Appl. No.: **29/447,353**

(22) Filed: **Mar. 1, 2013**

(51) **LOC (10) Cl.** **07-01**

(52) **U.S. Cl.**
USPC **D7/322; D7/321**

(58) **Field of Classification Search**
CPC A47G 19/14; A47J 31/10
USPC D7/322, 321, 312, 317-319, 393, 396;
222/1, 469, 500; 99/303, 323.3;
219/494, 437; D8/310, 311; 220/573.1;
206/457

See application file for complete search history.

(56) **References Cited**

U.S. PATENT DOCUMENTS

D272,884 S *	3/1984	Seibel	D7/321
D282,810 S *	3/1986	Urich	D7/322
D448,963 S *	10/2001	Shim	D7/322
D478,767 S *	8/2003	Lebowitz	D7/322
D490,641 S *	6/2004	Lebowitz	D7/321
D497,511 S *	10/2004	Lebowitz	D7/322

D501,355 S *	2/2005	Graves et al.	D7/322
D502,838 S *	3/2005	Ancona	D7/321
7,004,360 B2 *	2/2006	Lebowitz	222/500
D541,100 S *	4/2007	Lebowitz	D7/322
D574,657 S *	8/2008	Lebowitz	D7/321
D574,658 S *	8/2008	Grund et al.	D7/322
D574,659 S *	8/2008	Lebowitz	D7/322
D626,780 S *	11/2010	Gatto	D7/322
D638,248 S *	5/2011	Lebowitz et al.	D7/322
D683,997 S *	6/2013	Sehdev	D7/322
D683,998 S *	6/2013	Sehdev	D7/322

* cited by examiner

Primary Examiner — Marianne Pandozzi

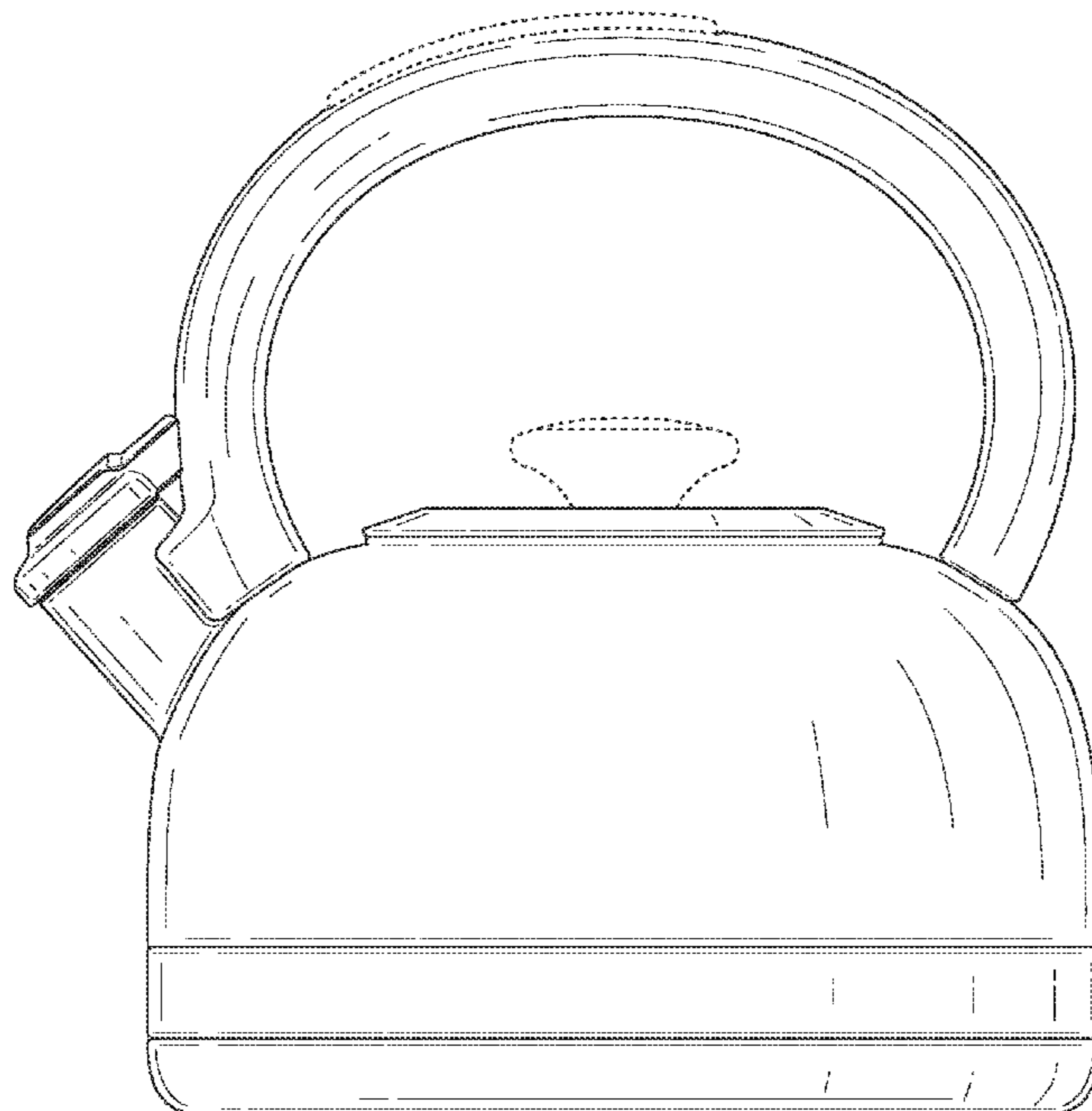
(57) **CLAIM**

We claim the ornamental design for a kettle, as shown and described.

DESCRIPTION

FIG. 1 is a top perspective of kettle showing our new design;
FIG. 2 is a left side view hereof;
FIG. 3 is a front view thereof;
FIG. 4 is a rear view thereof;
FIG. 5 is a right side view thereof;
FIG. 6 is a top plan view thereof;
FIG. 7 is a bottom plan view thereof; and,
FIG. 8 is a top perspective of kettle showing a second embodiment of our new design;
FIG. 9 is a left side view thereof;
FIG. 10 is a front view thereof;
FIG. 11 is a rear view thereof;
FIG. 12 is a right side view thereof;
FIG. 13 is a top plan view thereof; and,
FIG. 14 is a bottom plan view thereof.

1 Claim, 14 Drawing Sheets



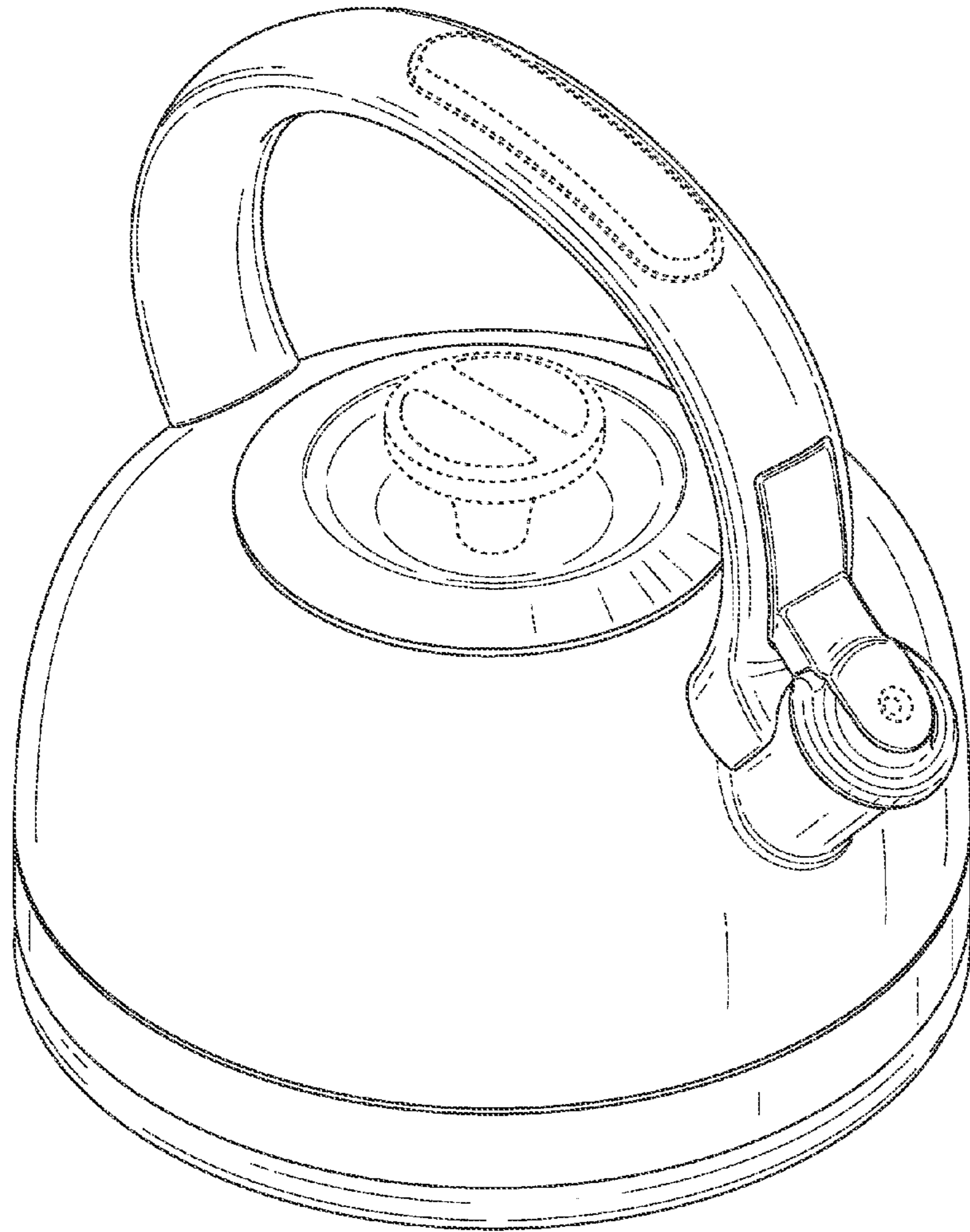


FIG. 1

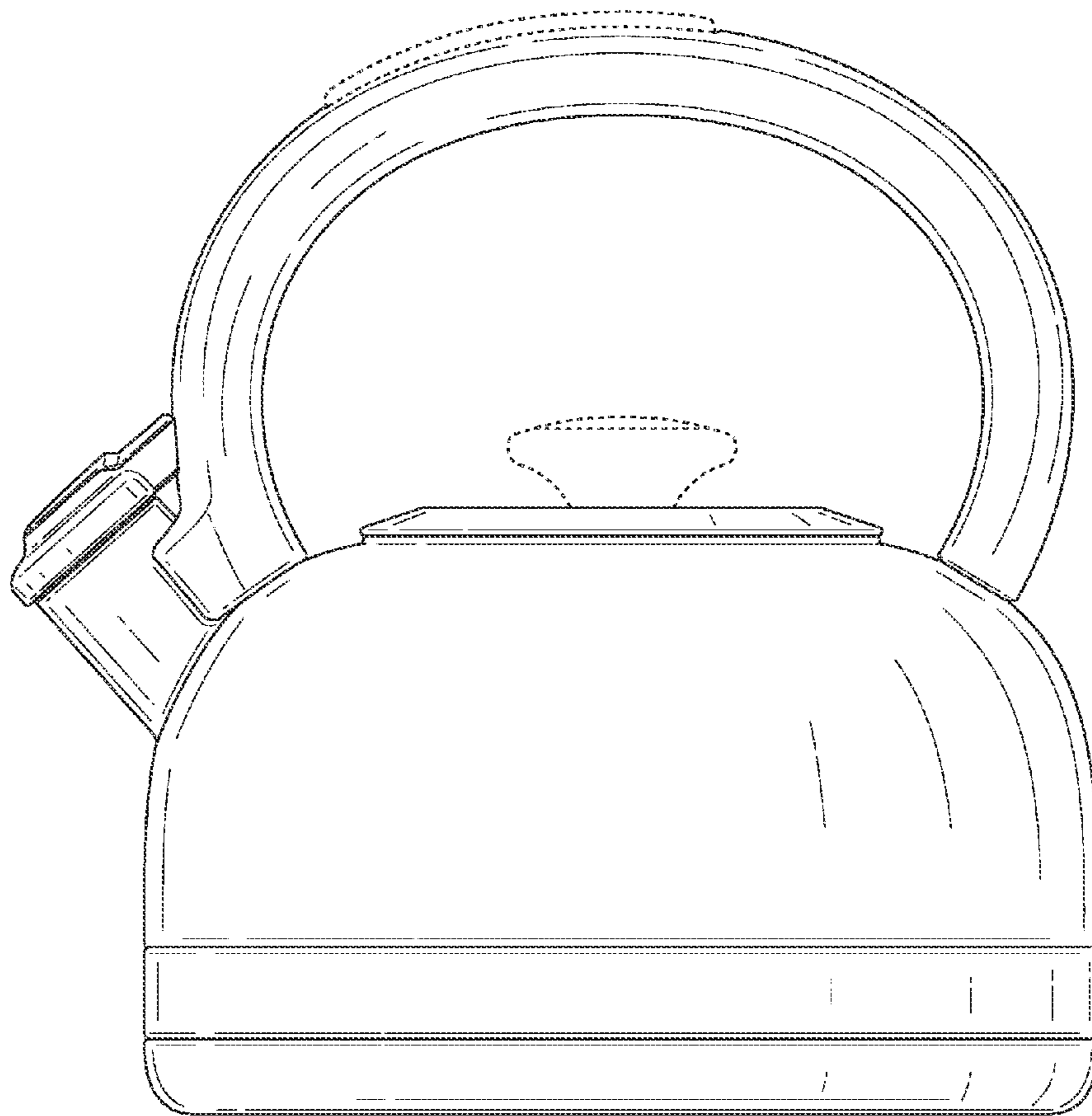


FIG. 2

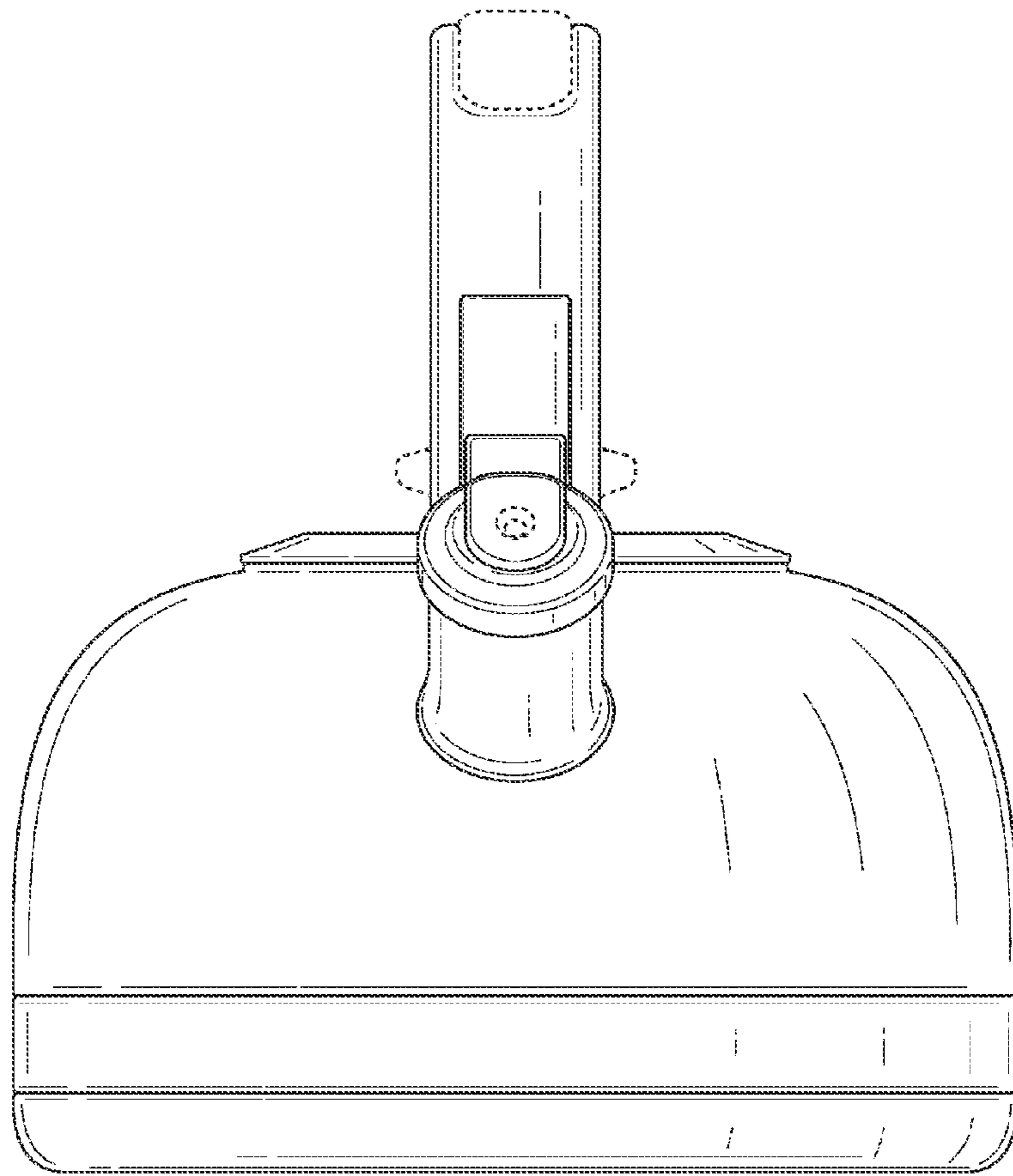


FIG. 3

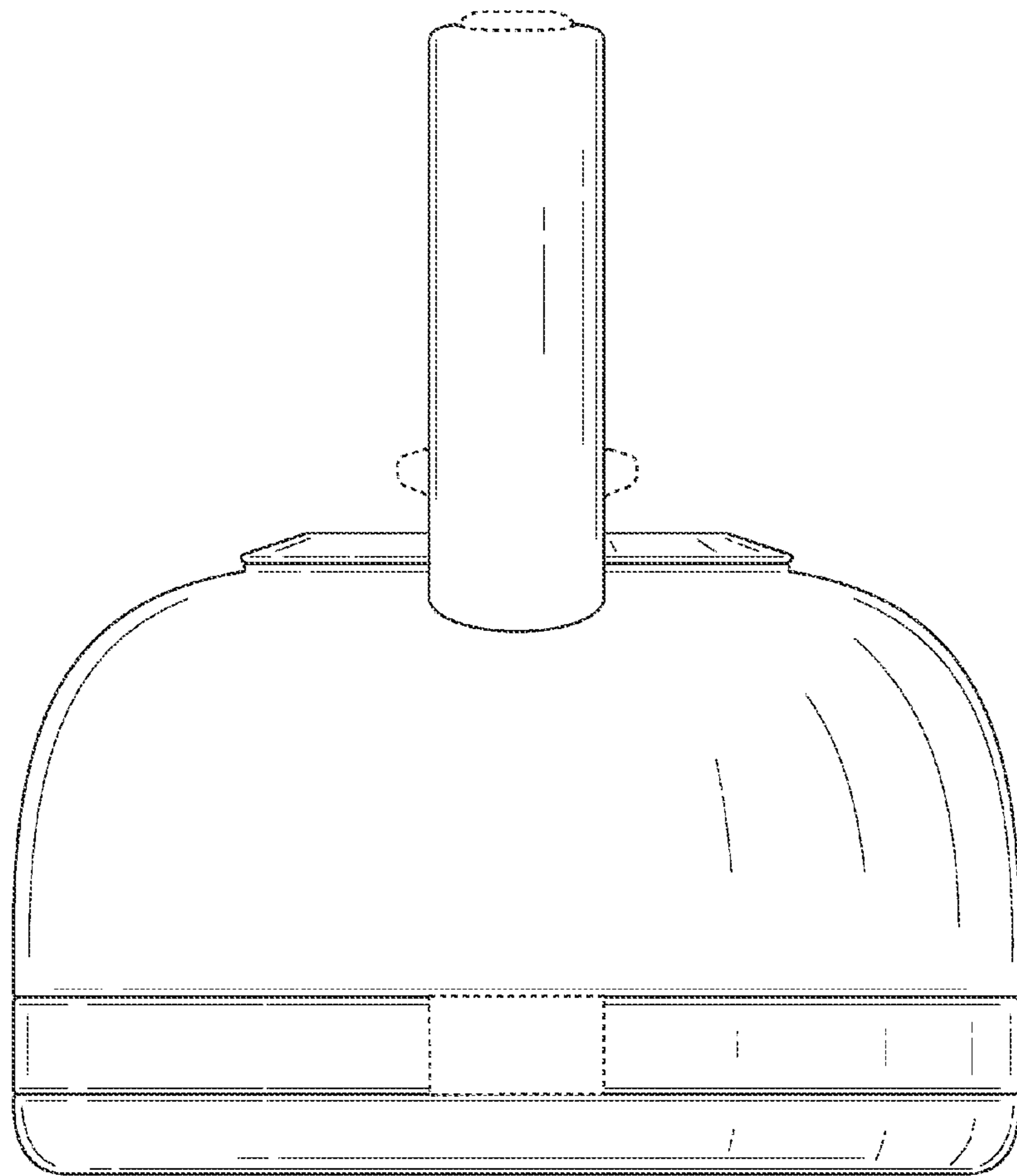


FIG. 4

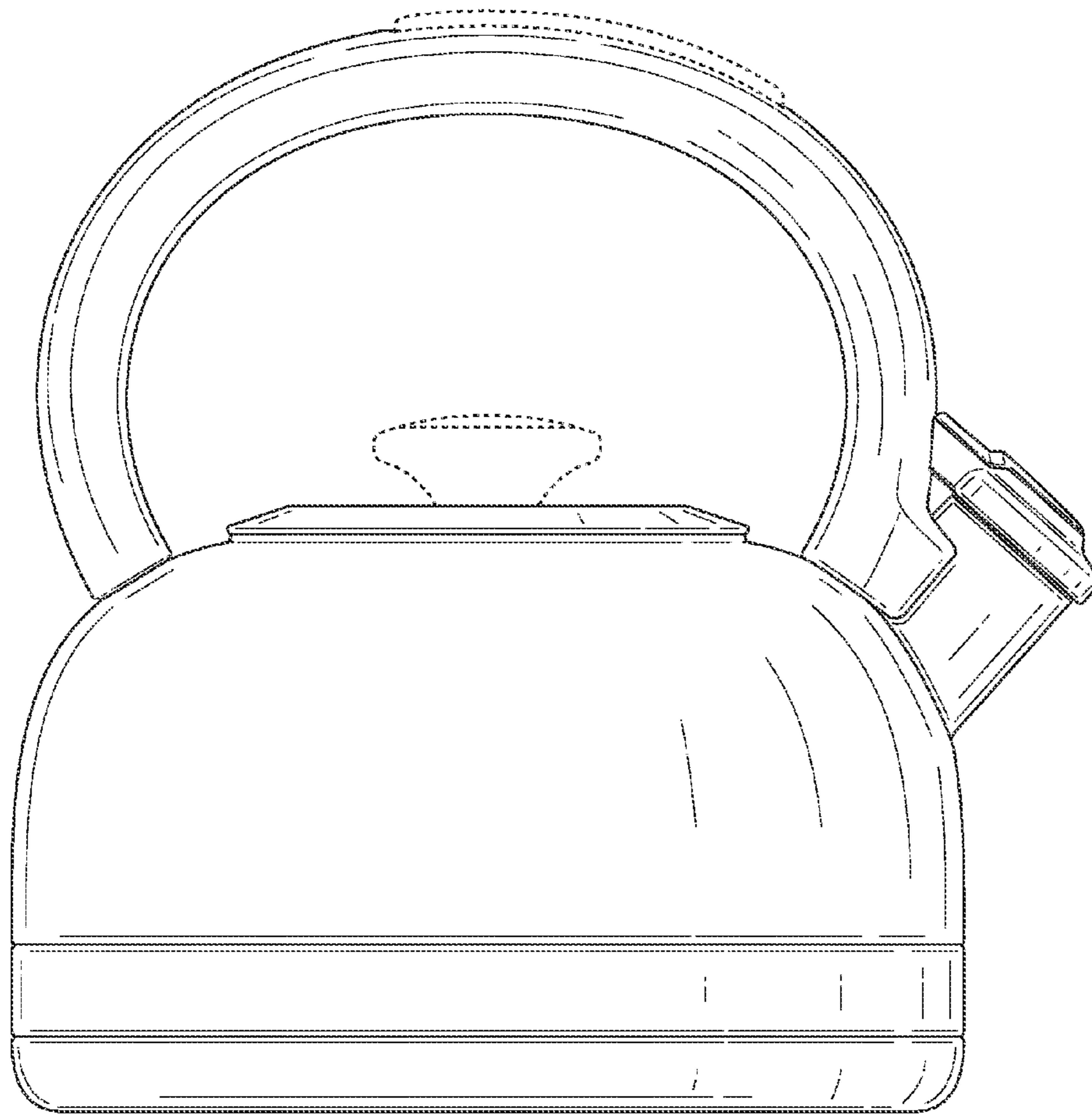


FIG. 5

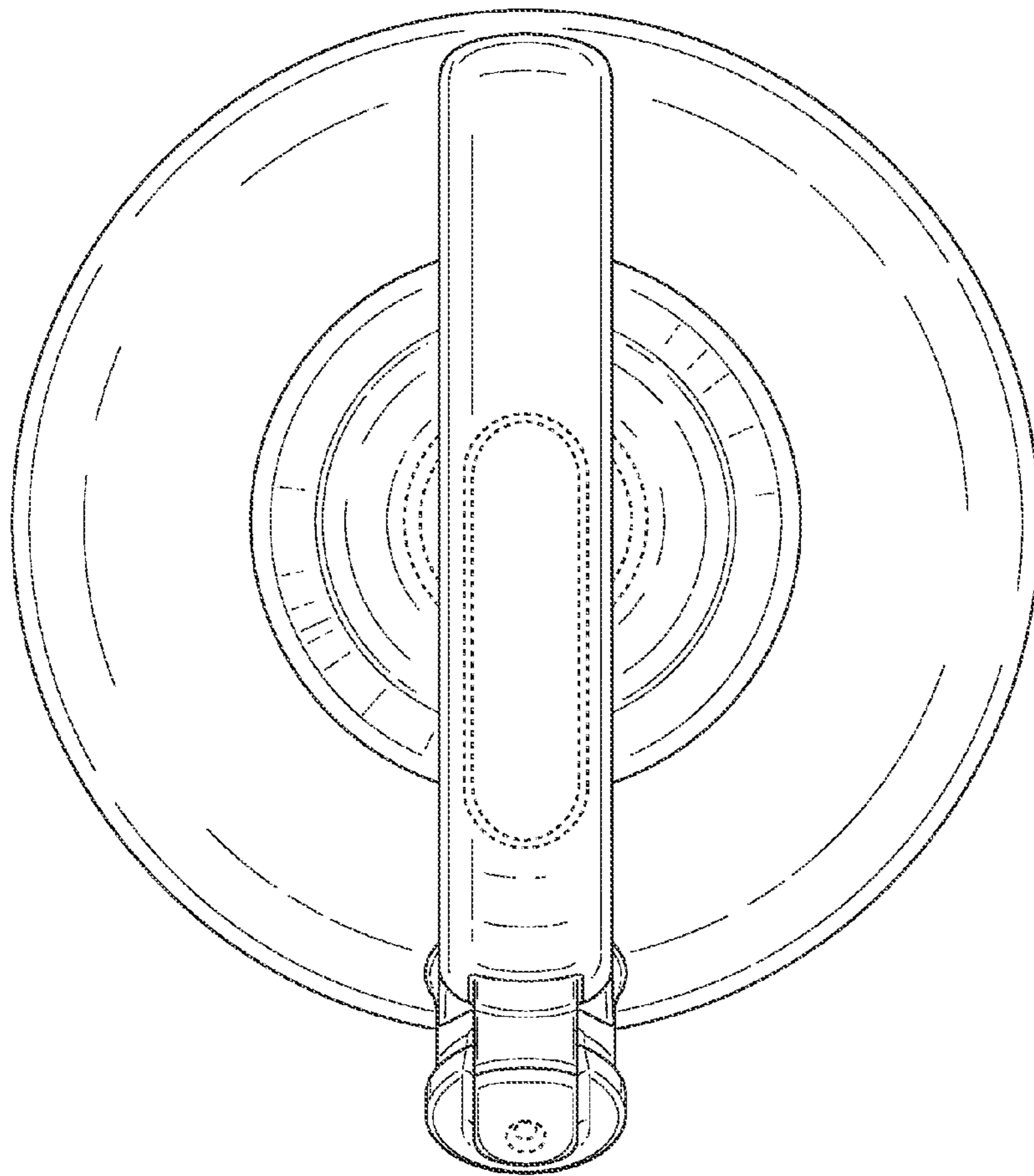


FIG. 6

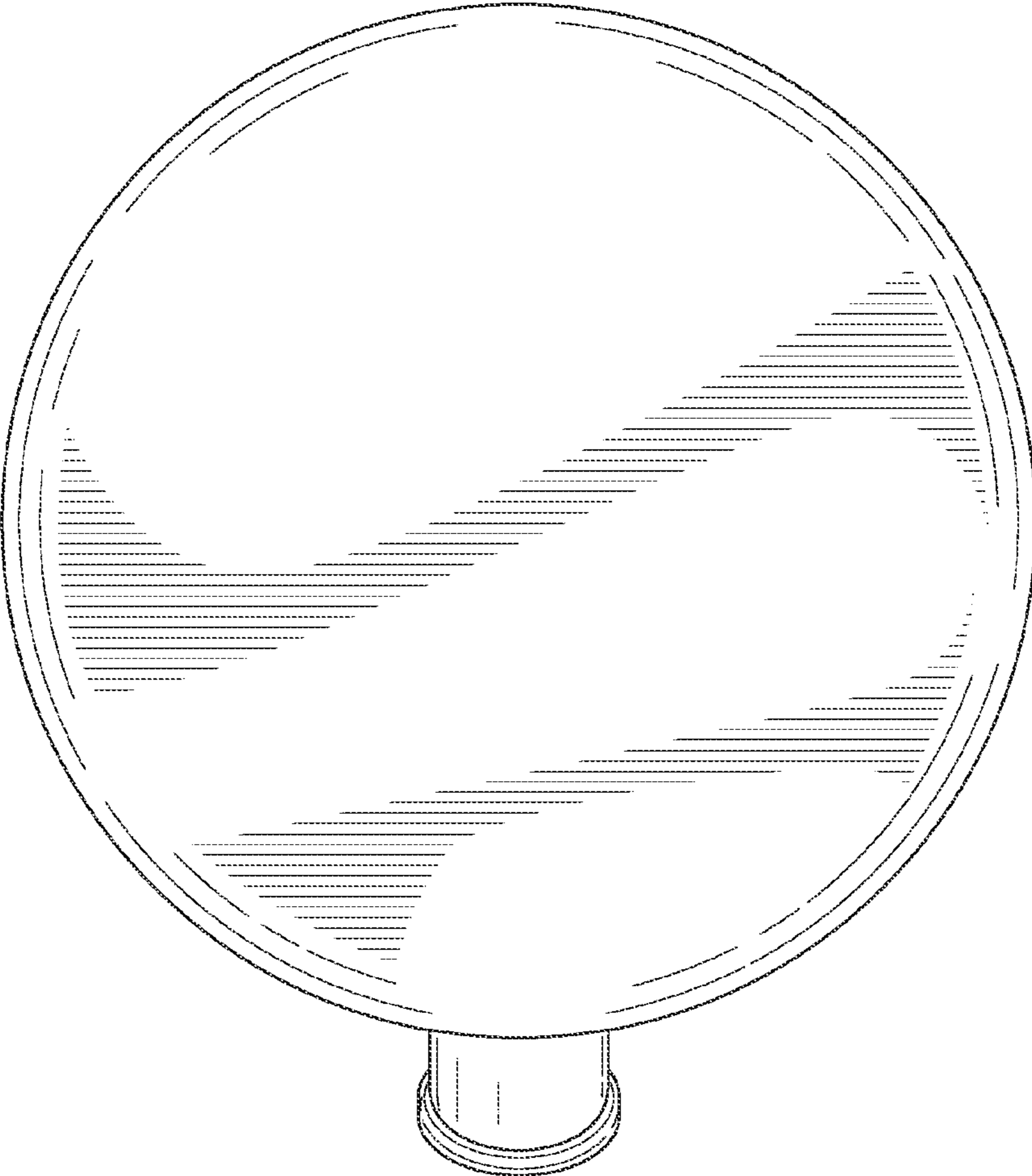


FIG. 7

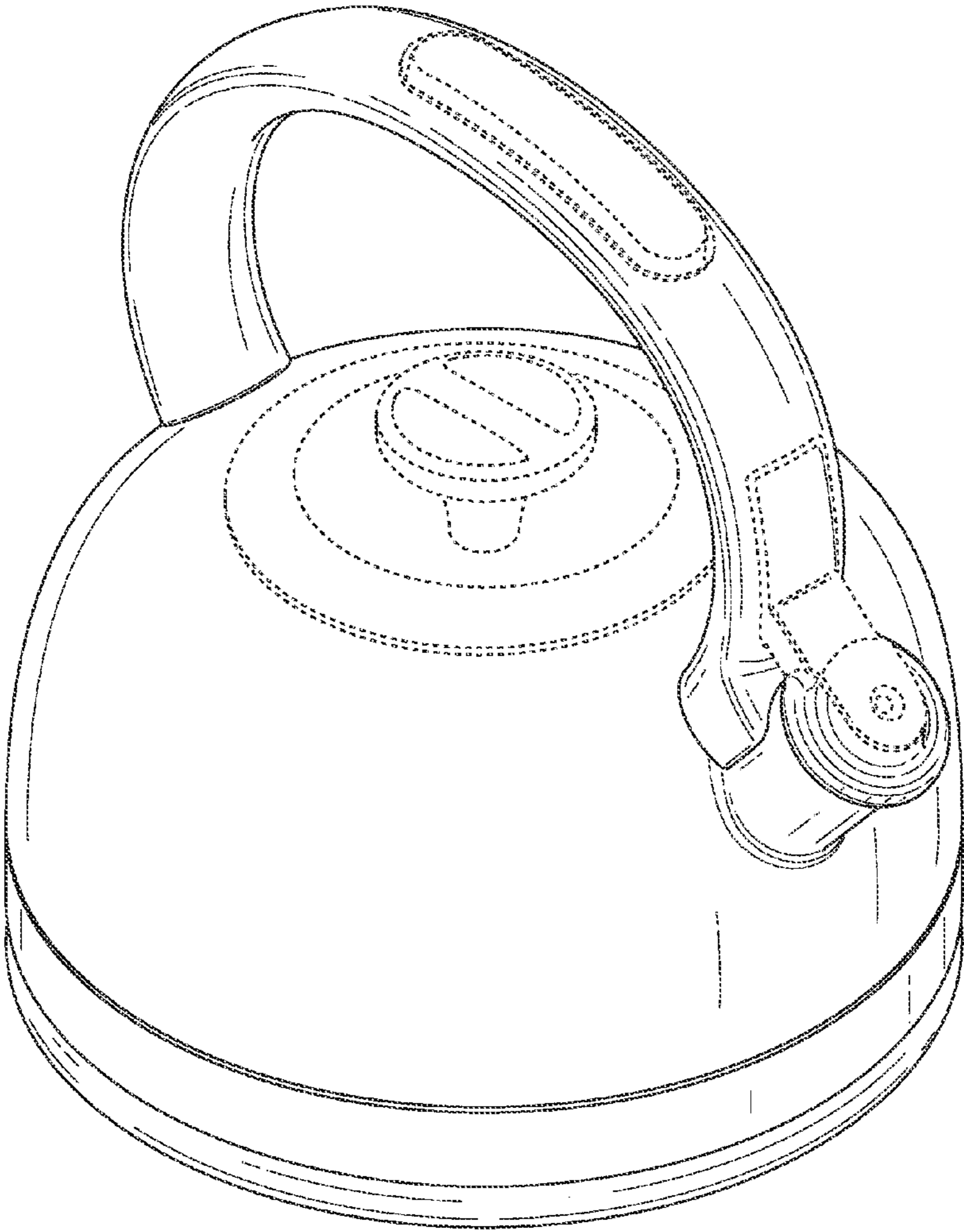


FIG. 8

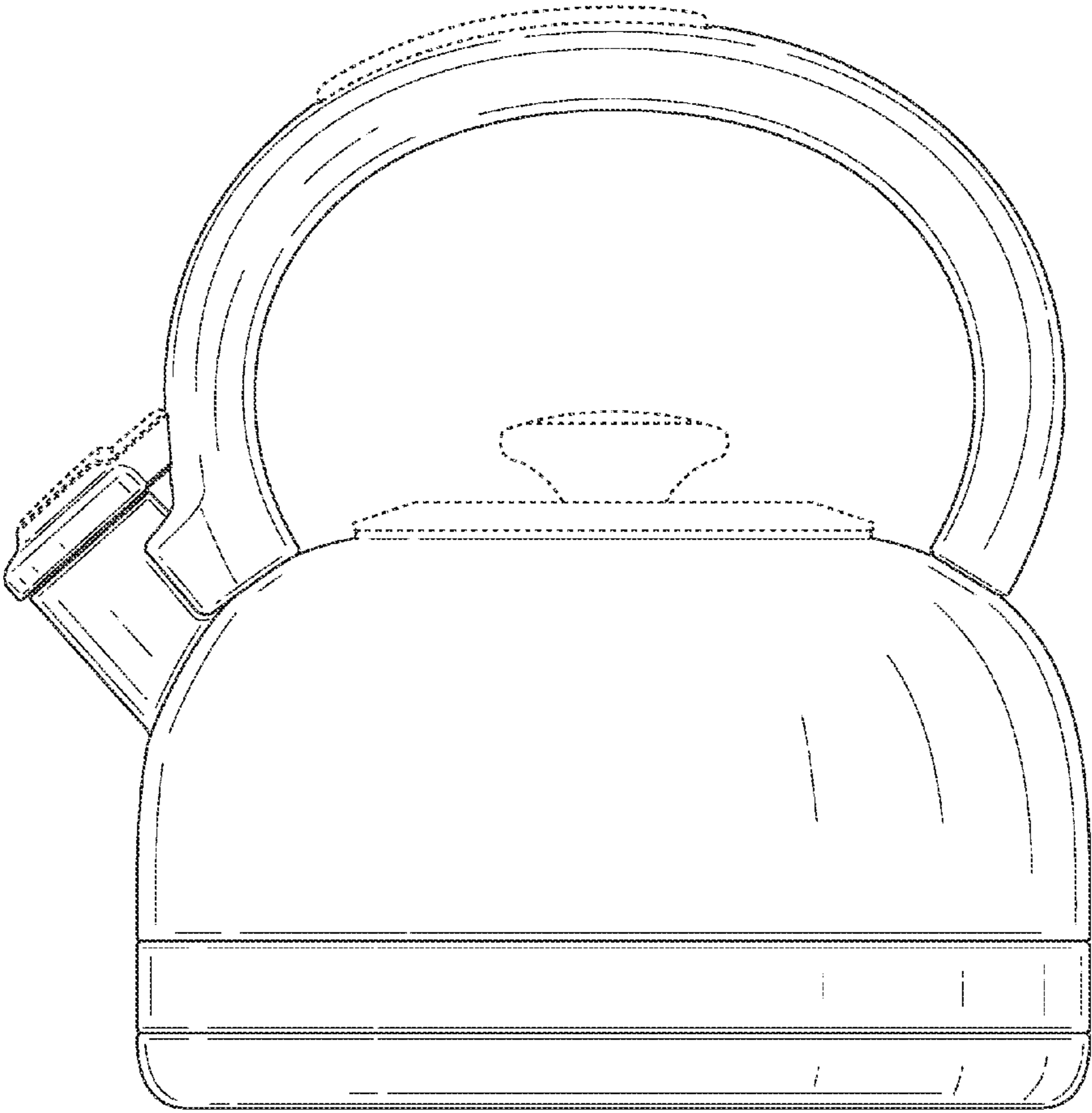


FIG. 9

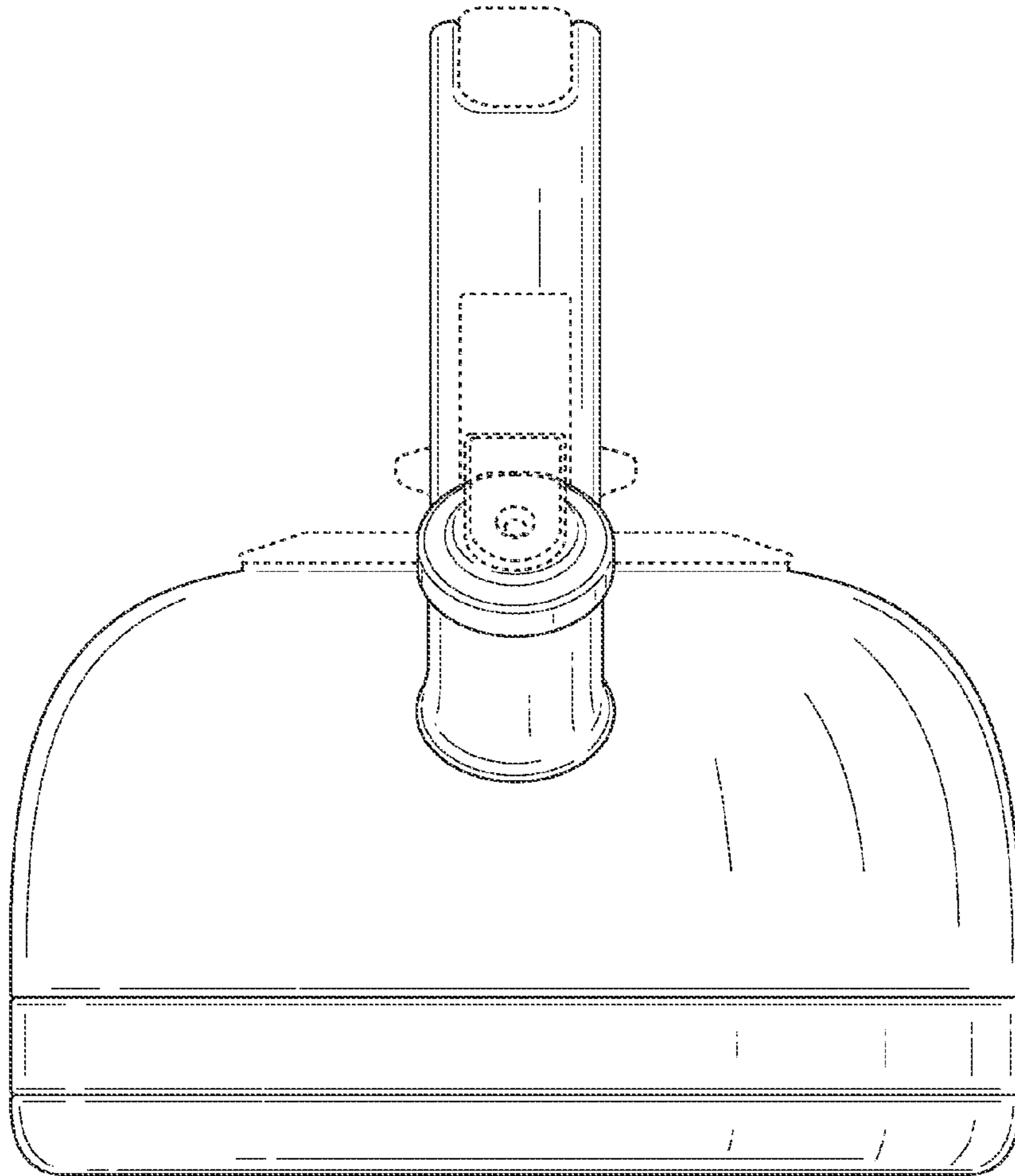


FIG. 10

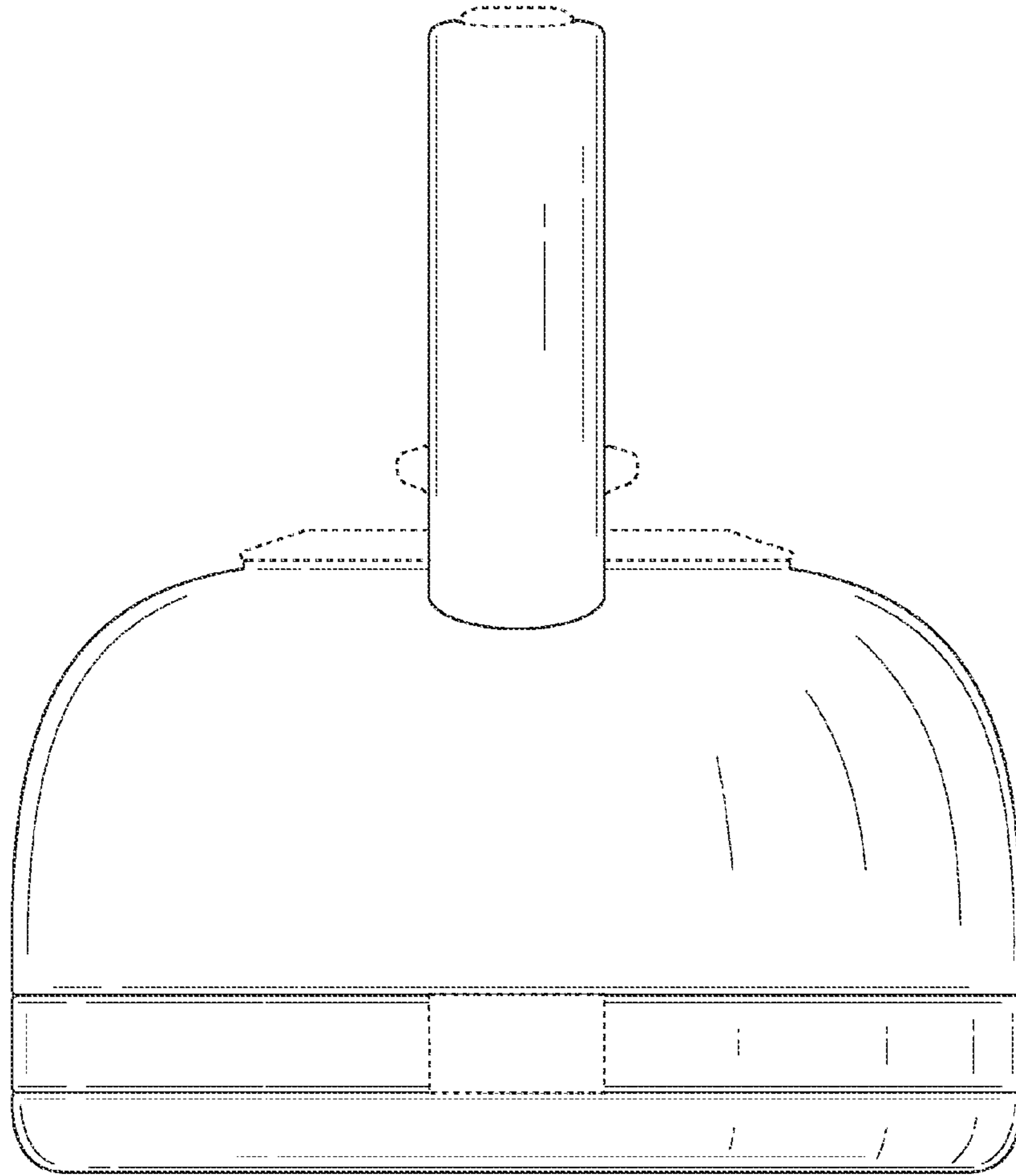


FIG. 11

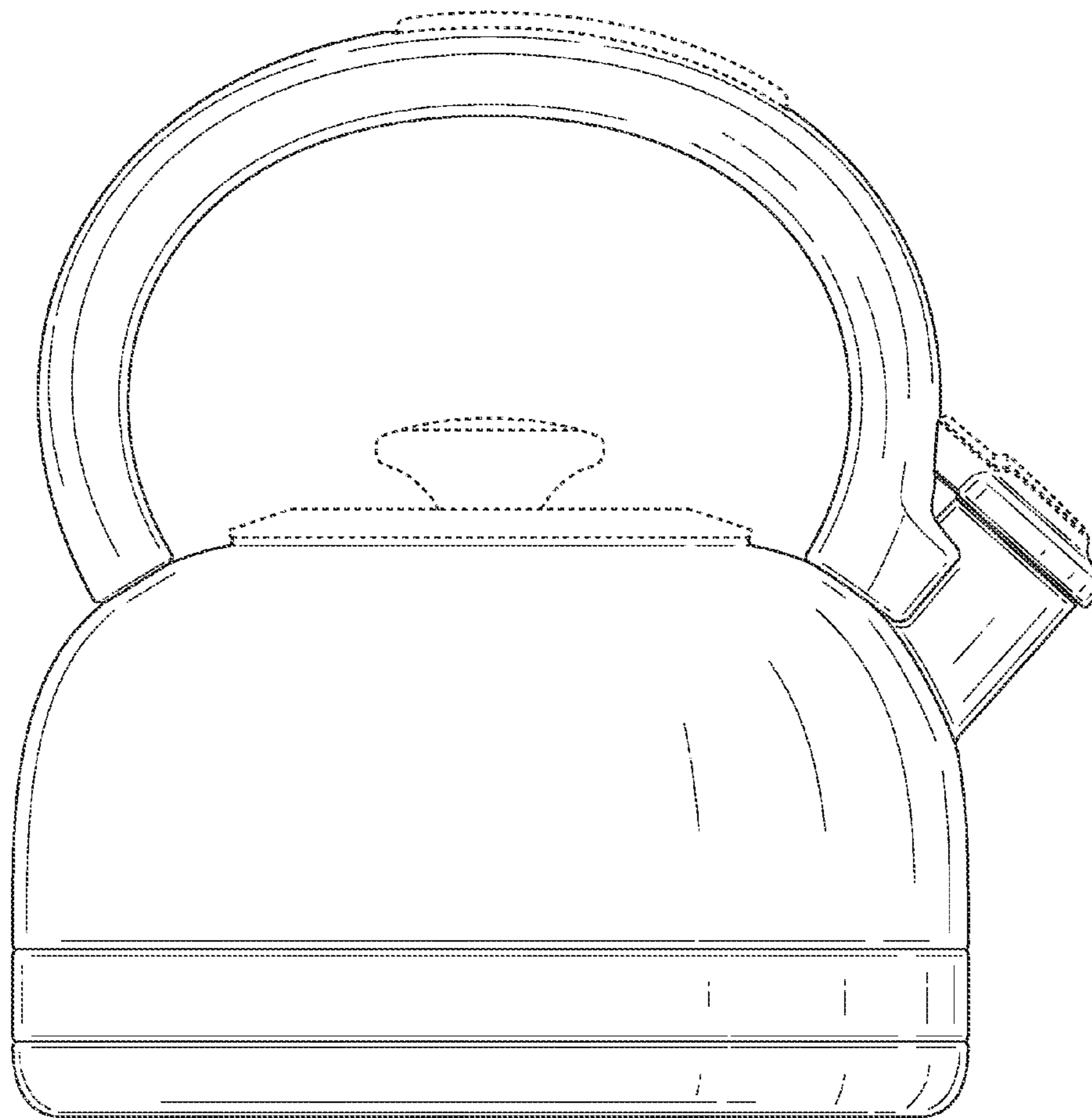


FIG. 12

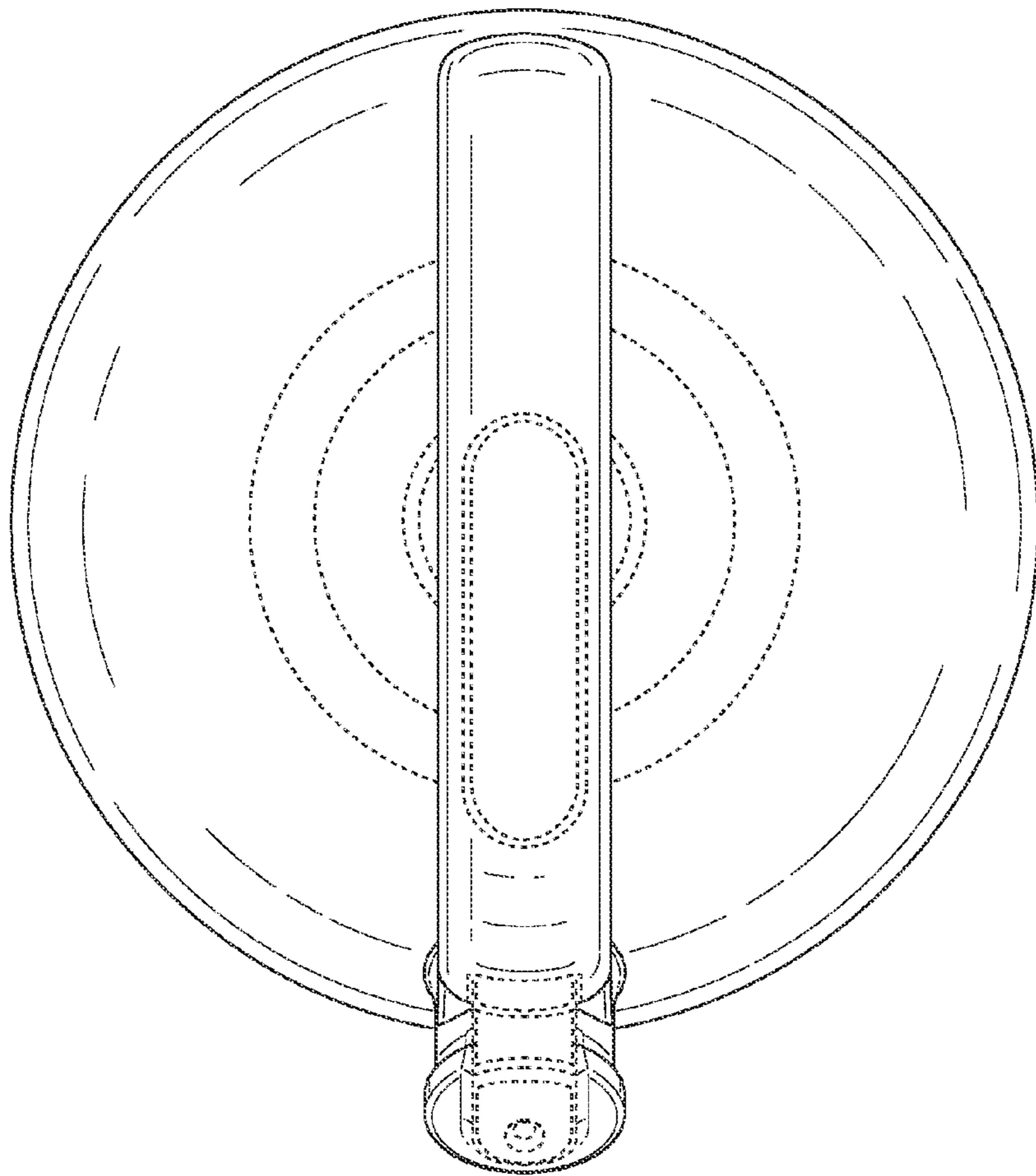


FIG. 13

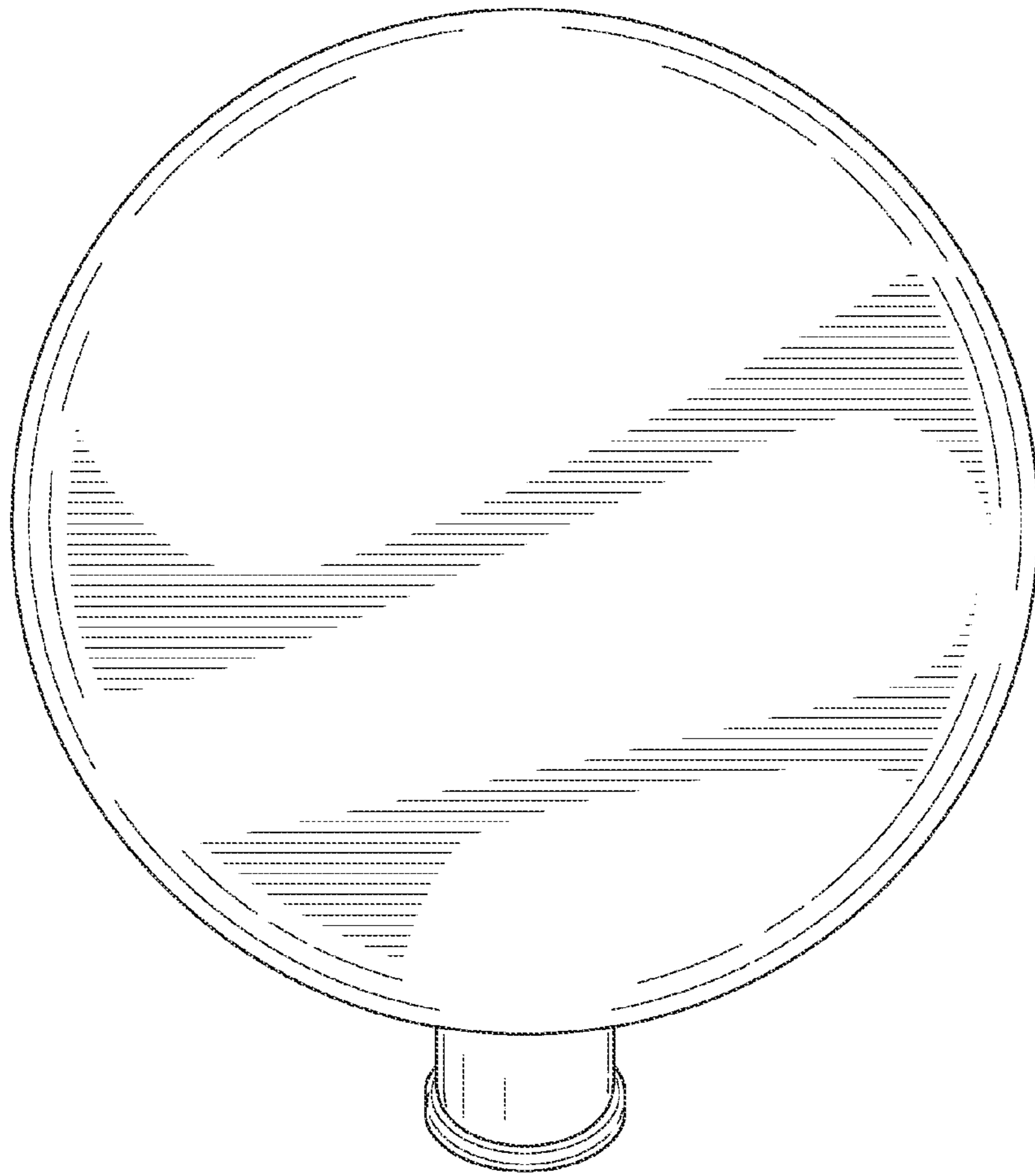


FIG. 14