

US00D720175S

(12) **United States Design Patent**
Gort-Barten

(10) **Patent No.:** **US D720,175 S**

(45) **Date of Patent:** **** Dec. 30, 2014**

(54) **KETTLE**

(71) Applicant: **Alexander Gort-Barten**, West Sussex
(GB)

(72) Inventor: **Alexander Gort-Barten**, West Sussex
(GB)

(**) Term: **14 Years**

(21) Appl. No.: **29/437,885**

(22) Filed: **Nov. 21, 2012**

(30) **Foreign Application Priority Data**

May 23, 2012 (EM) 002046219

(51) **LOC (10) Cl.** **07-01**

(52) **U.S. Cl.**
USPC **D7/322; D7/312; D7/319; D7/321**

(58) **Field of Classification Search**
USPC **D7/316-319, 300.1, 598, 600, 312, 321,**
D7/322; D10/46.2; 220/592.16; 222/494
See application file for complete search history.

(56) **References Cited**

U.S. PATENT DOCUMENTS

5,637,214 A * 6/1997 Kahana 210/282
6,224,253 B1 * 5/2001 Dixon 366/247

D498,638 S * 11/2004 Morrison D7/319
D527,940 S * 9/2006 Cohen D7/318
D553,898 S * 10/2007 De' Longhi D7/321
D581,718 S * 12/2008 Verdun D7/319
D607,686 S * 1/2010 Elissen D7/319
D613,988 S * 4/2010 Lane et al. D7/317
D622,090 S * 8/2010 Bodum D7/317
D630,463 S * 1/2011 Picozza et al. D7/318
D630,882 S * 1/2011 Cohen D7/318
D633,155 S * 2/2011 Brun D21/679
D633,325 S * 3/2011 McArdle D7/319
D683,175 S * 5/2013 Adams D7/318
D691,409 S * 10/2013 Dichraff et al. D7/317
D691,417 S * 10/2013 Dichraff et al. D7/397

* cited by examiner

Primary Examiner — Marianne Pandozzi

(74) *Attorney, Agent, or Firm* — Stites & Harbison, PLLC;
David W. Nagle, Jr.

(57) **CLAIM**

The ornamental design for a kettle, as shown and described.

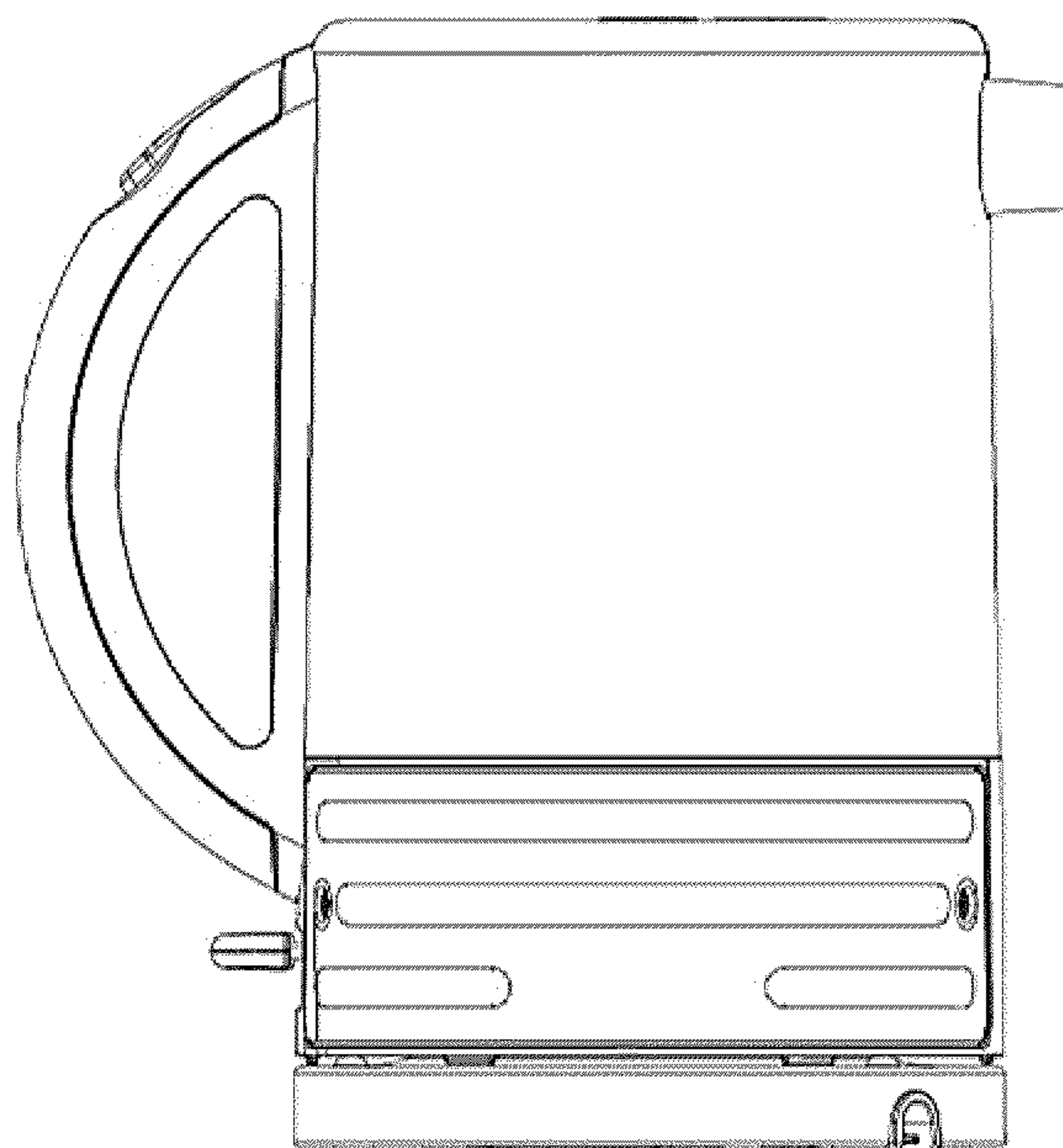
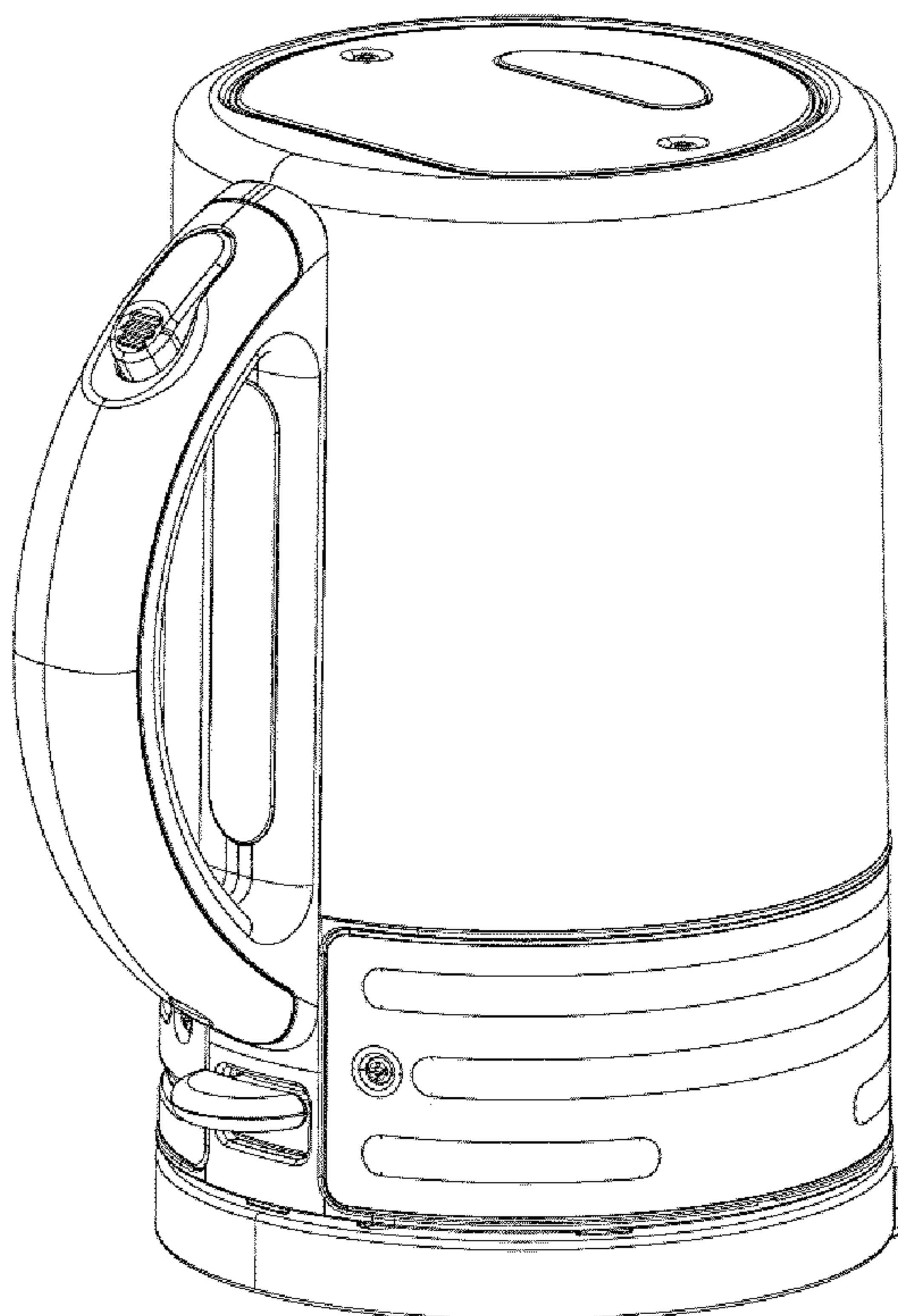
DESCRIPTION

FIG. 1 is a front perspective view of a kettle incorporating the design of the present invention;

FIG. 2 is a rear perspective view of the kettle of FIG. 1; and,
FIG. 3 is a side elevational view thereof.

The bottom of the kettle of FIG. 1 is flat and unornamented.

1 Claim, 3 Drawing Sheets



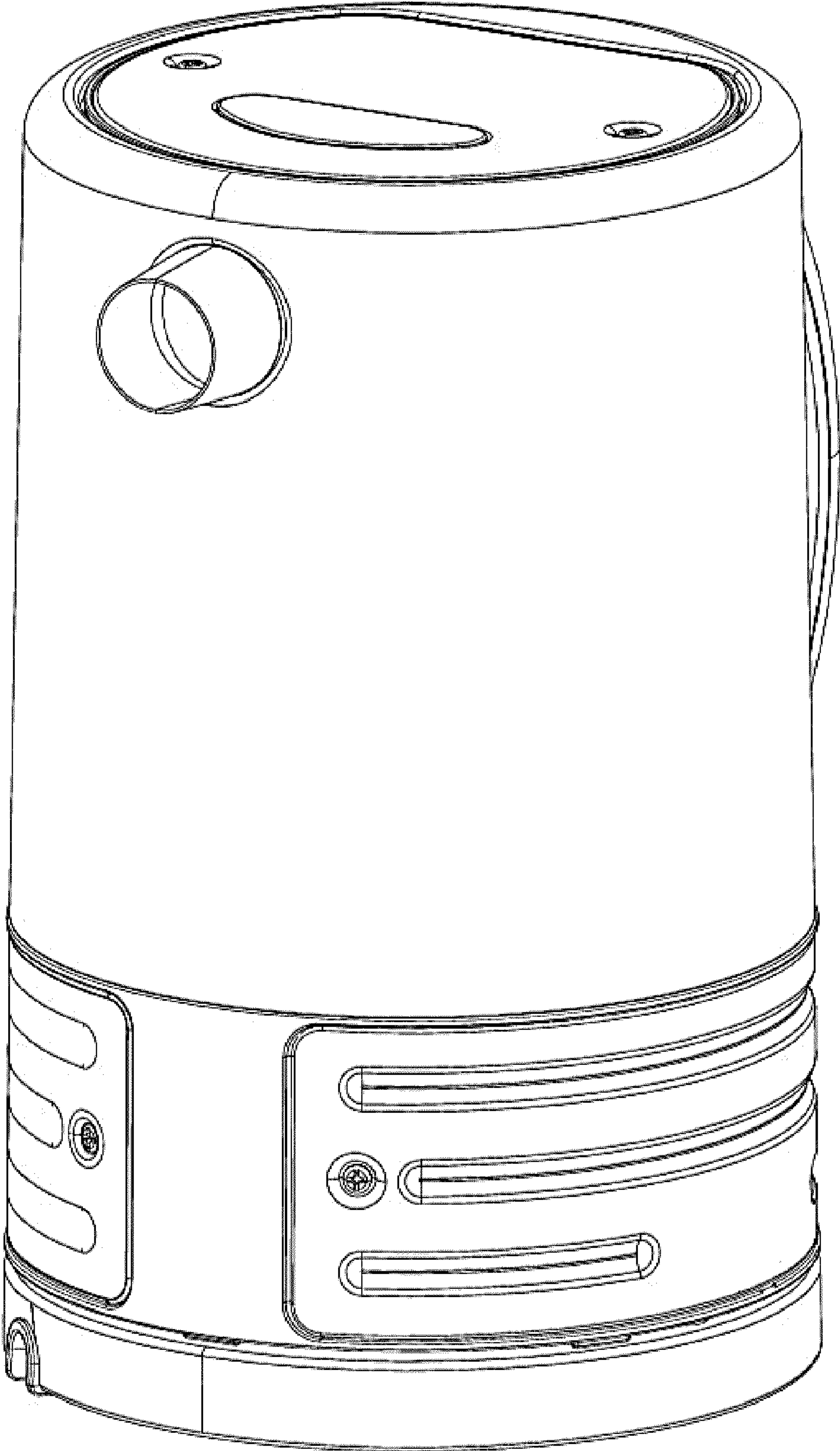


FIG. 1

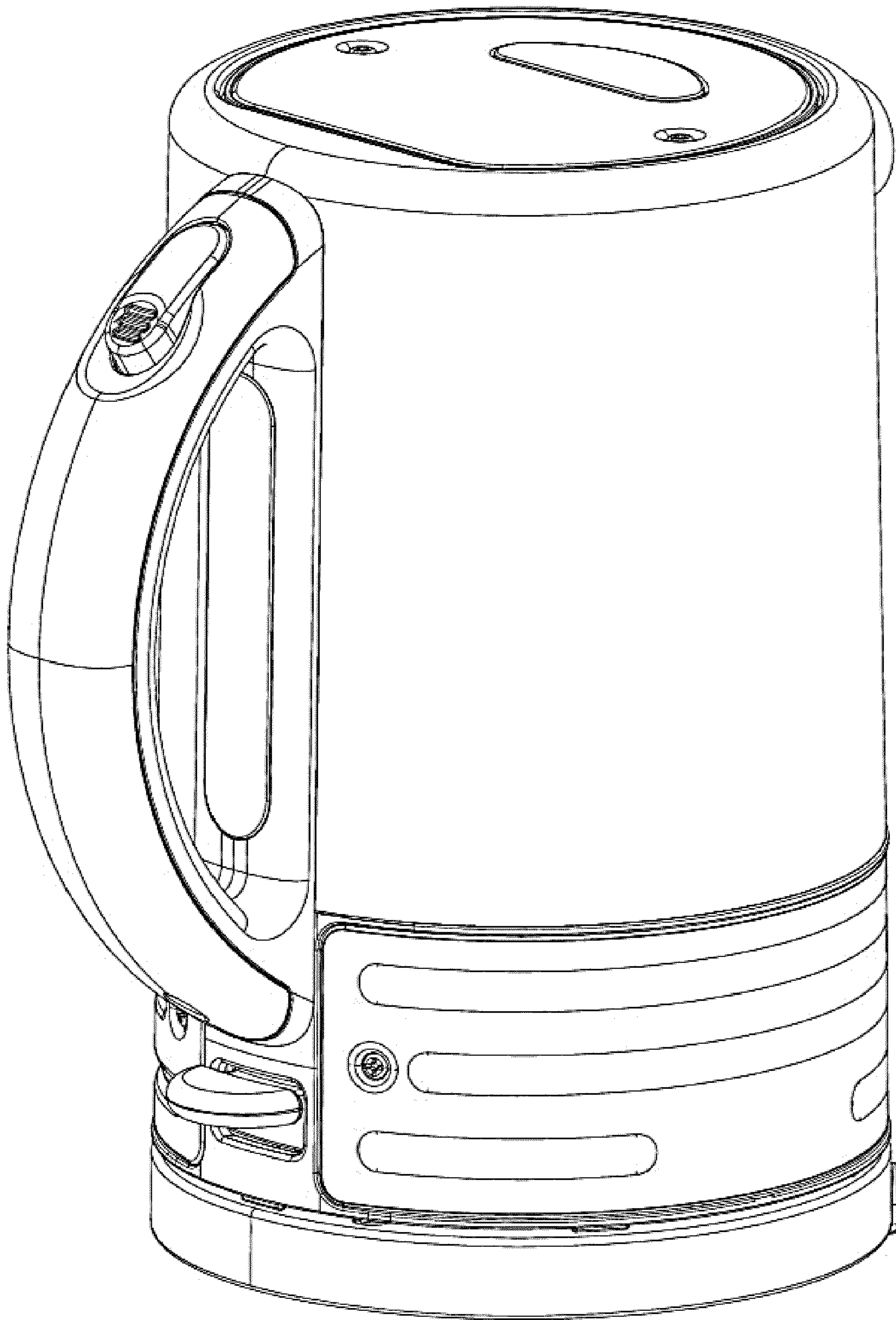


FIG. 2

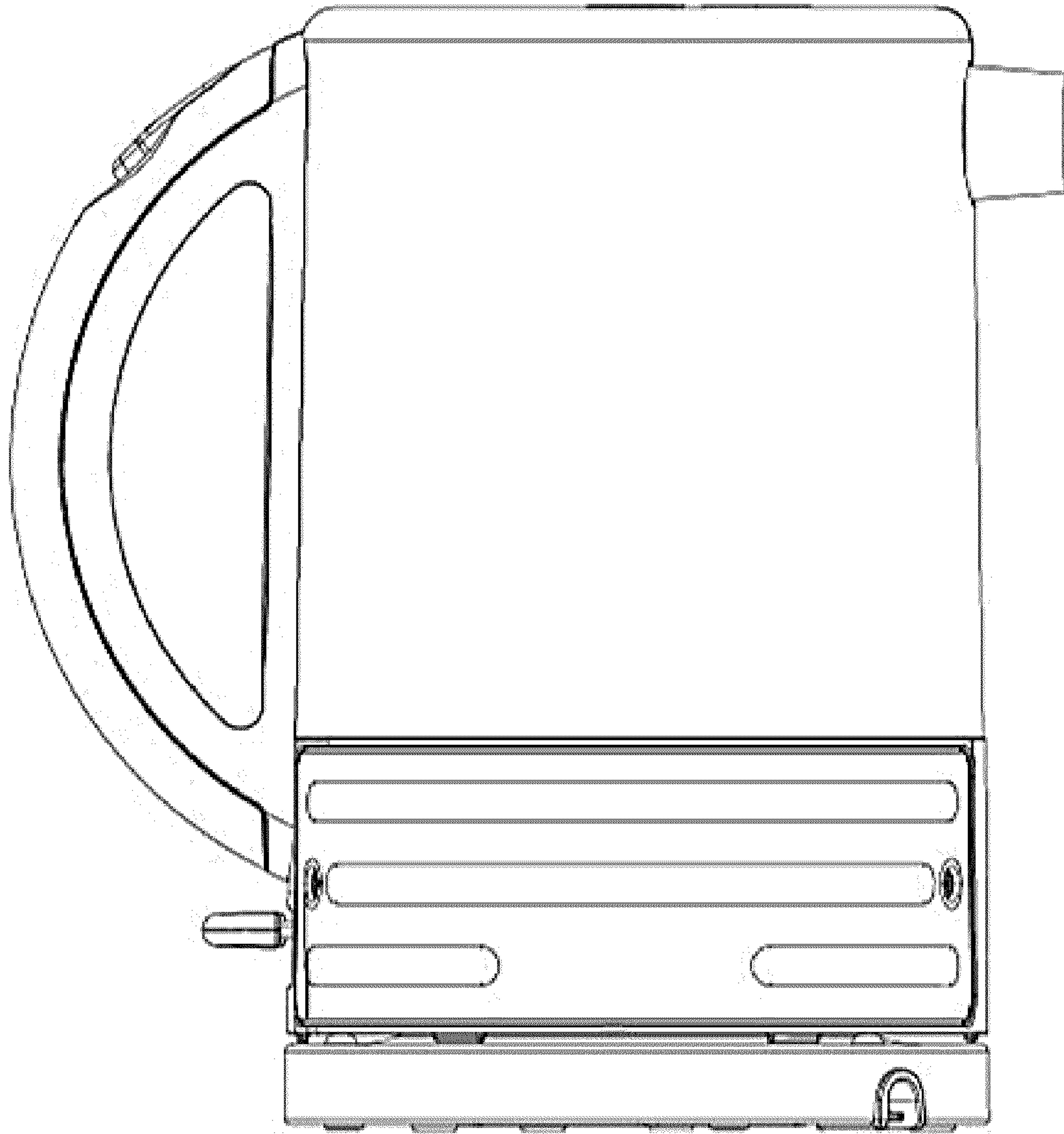


FIG. 3