



US00D720174S

(12) **United States Design Patent**
Melzer et al.

(10) **Patent No.:** **US D720,174 S**
(45) **Date of Patent:** **** Dec. 30, 2014**

- (54) **PITCHER**
- (71) Applicant: **Epoca International, Inc.**, Boca Raton, FL (US)
- (72) Inventors: **Brian Melzer**, Boca Raton, FL (US); **Petros Stambolis**, Franklin Square, NY (US); **Louis Henry**, Scarsdale, NY (US)
- (73) Assignee: **Epoca International, Inc.**, Boca Raton, FL (US)
- (**) Term: **14 Years**
- (21) Appl. No.: **29/480,531**
- (22) Filed: **Jan. 27, 2014**
- (51) **LOC (10) Cl.** **07-01**
- (52) **U.S. Cl.**
USPC **D7/319; D7/317**
- (58) **Field of Classification Search**
USPC D7/316-319, 300, 600, 598; 222/465.1, 222/494, 313; 220/318, 713, 912; D23/209
See application file for complete search history.

D383,638 S *	9/1997	Joergensen	D7/319
D383,639 S *	9/1997	Jorgensen	D7/319
D384,237 S *	9/1997	Hess	D7/319
D389,004 S *	1/1998	Hampshire et al.	D7/319
D546,113 S *	7/2007	Ruoff	D7/319
D553,419 S *	10/2007	Bodum	D7/319
D585,232 S *	1/2009	Bodum	D7/319
D587,514 S *	3/2009	Bodum	D7/319
D633,325 S *	3/2011	McArdle	D7/319

* cited by examiner

Primary Examiner — Marianne Pandozzi
(74) *Attorney, Agent, or Firm* — Akerman LLP

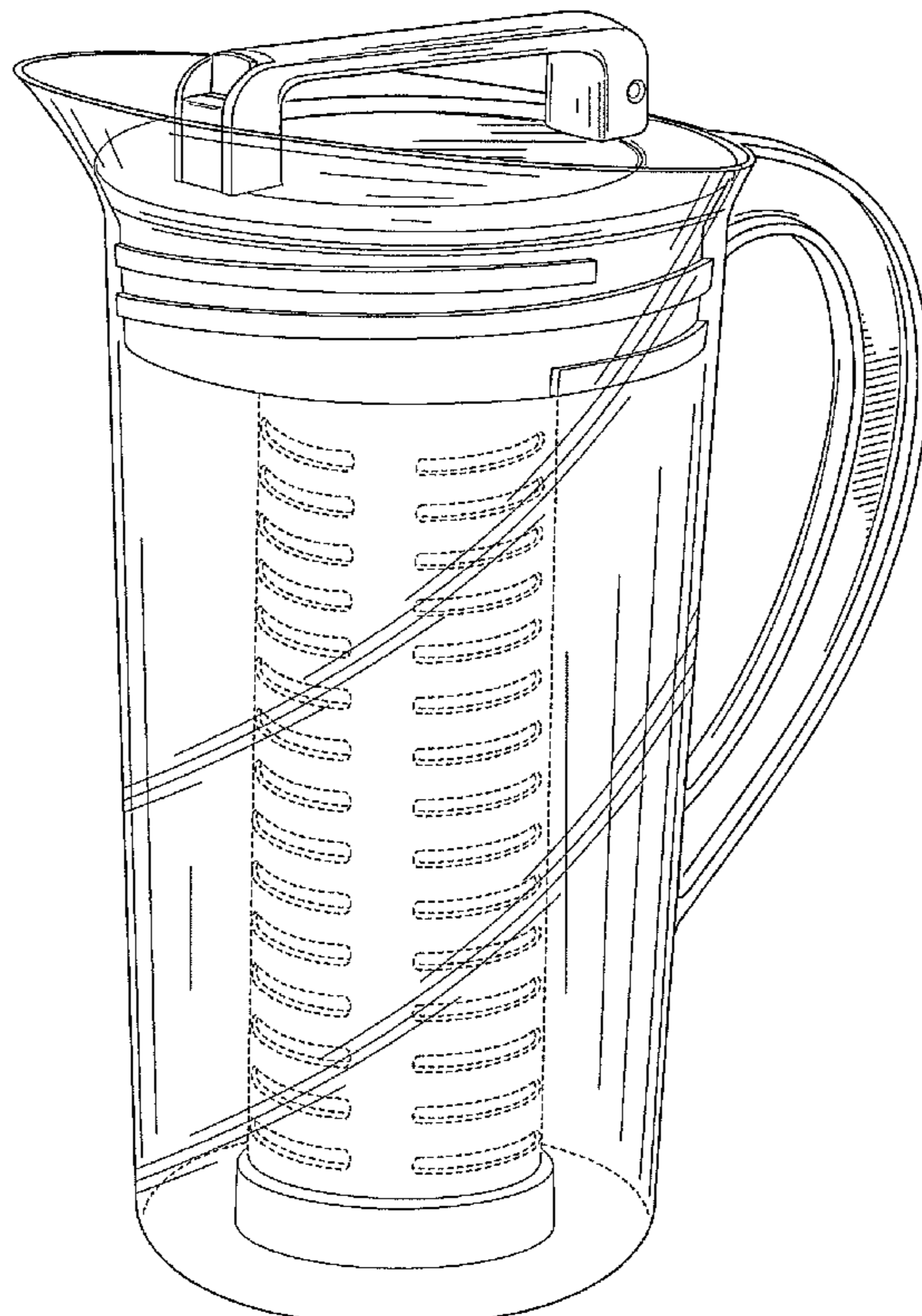
(57) **CLAIM**
We claim the ornamental design for a pitcher, as shown and described.

DESCRIPTION

FIG. 1 is a perspective view of the pitcher, showing our new, original and ornamental design;
FIG. 2 is a front view thereof;
FIG. 3 is a back view thereof;
FIG. 4 is a left side view thereof;
FIG. 5 is a right side view thereof;
FIG. 6 is a top view thereof;
FIG. 7 is a bottom view thereof; and,
FIG. 8 is a perspective view with the lid in open position showing partial removal of an interchangeable core.
The broken lines in the figures are for illustrative purposes only and form no part of the claimed design.

1 Claim, 8 Drawing Sheets

- (56) **References Cited**
U.S. PATENT DOCUMENTS
194,112 A * 8/1877 Snars 222/465.1
D218,473 S * 8/1970 Smith D7/318
3,844,450 A * 10/1974 Johnson 222/183
3,858,767 A * 1/1975 Borin 222/494



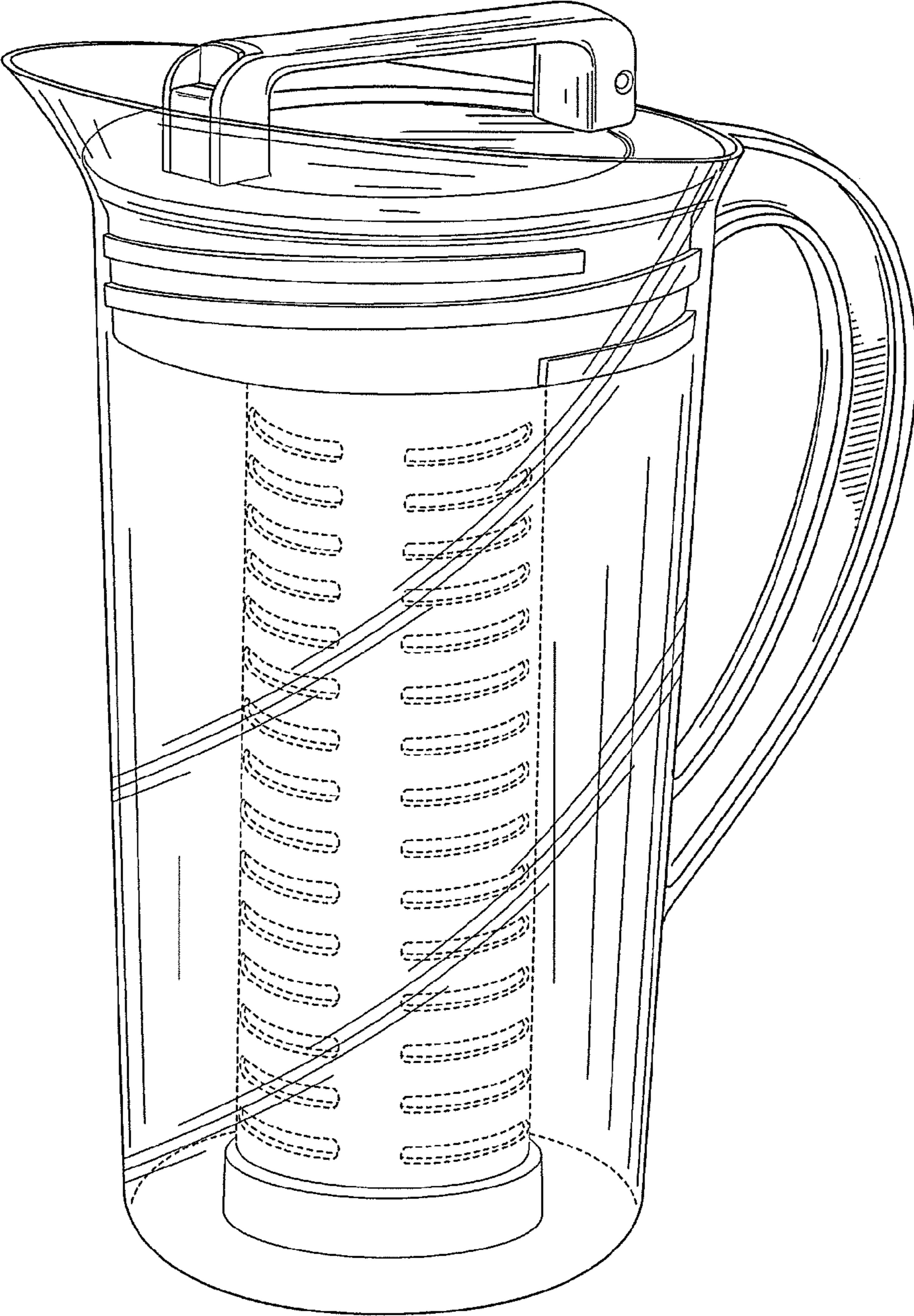


FIG. 1

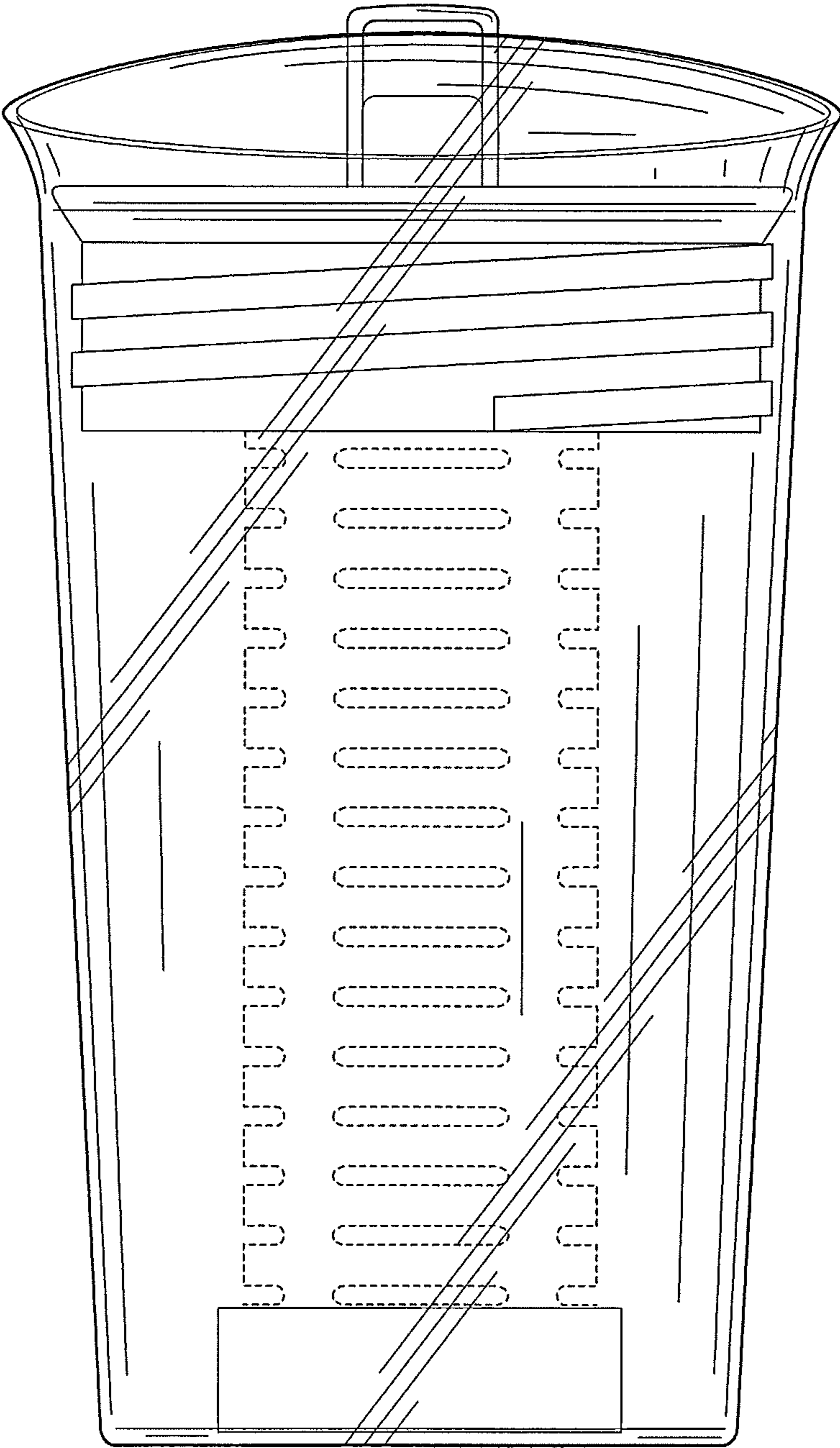


FIG. 2

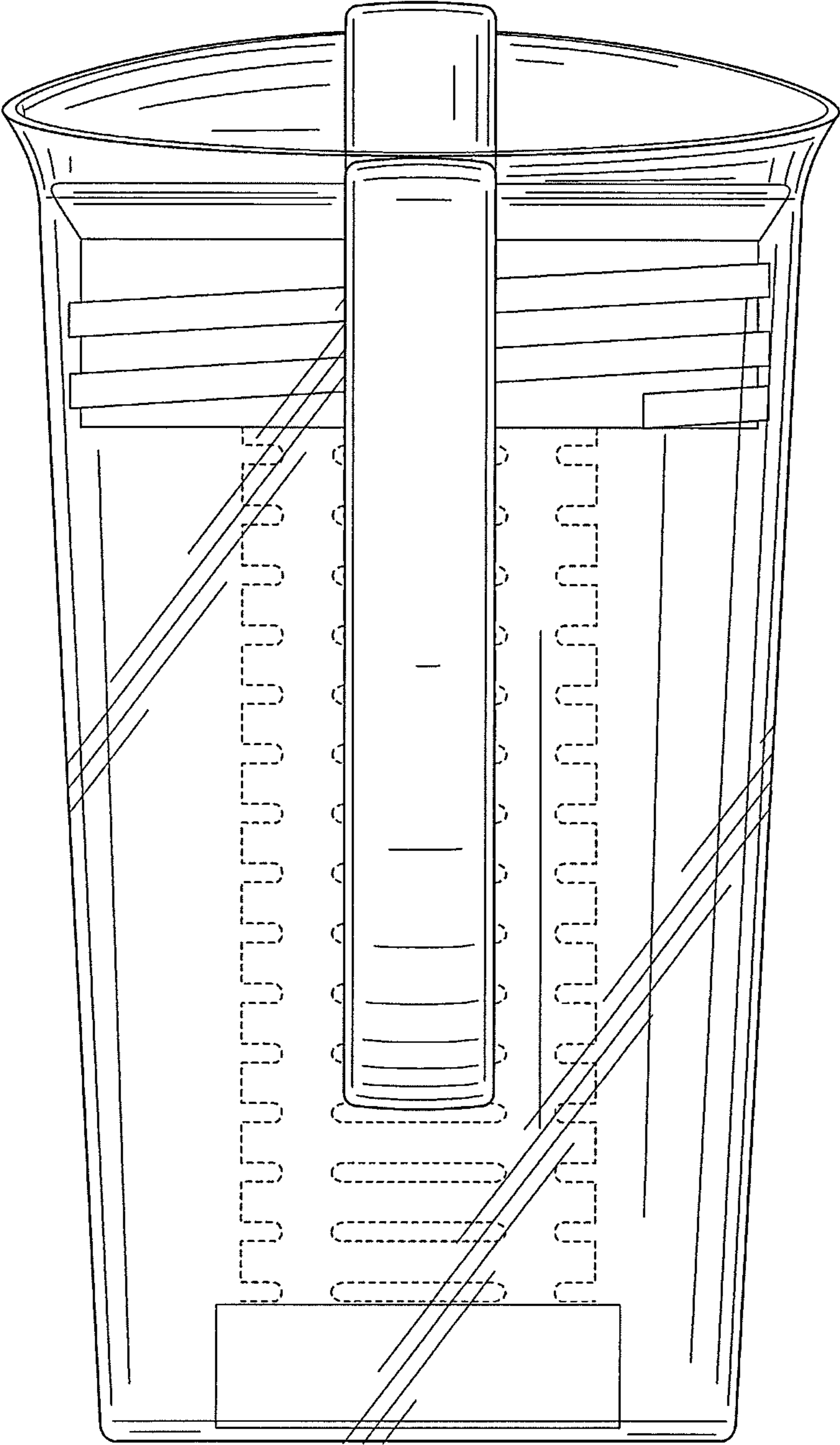


FIG. 3

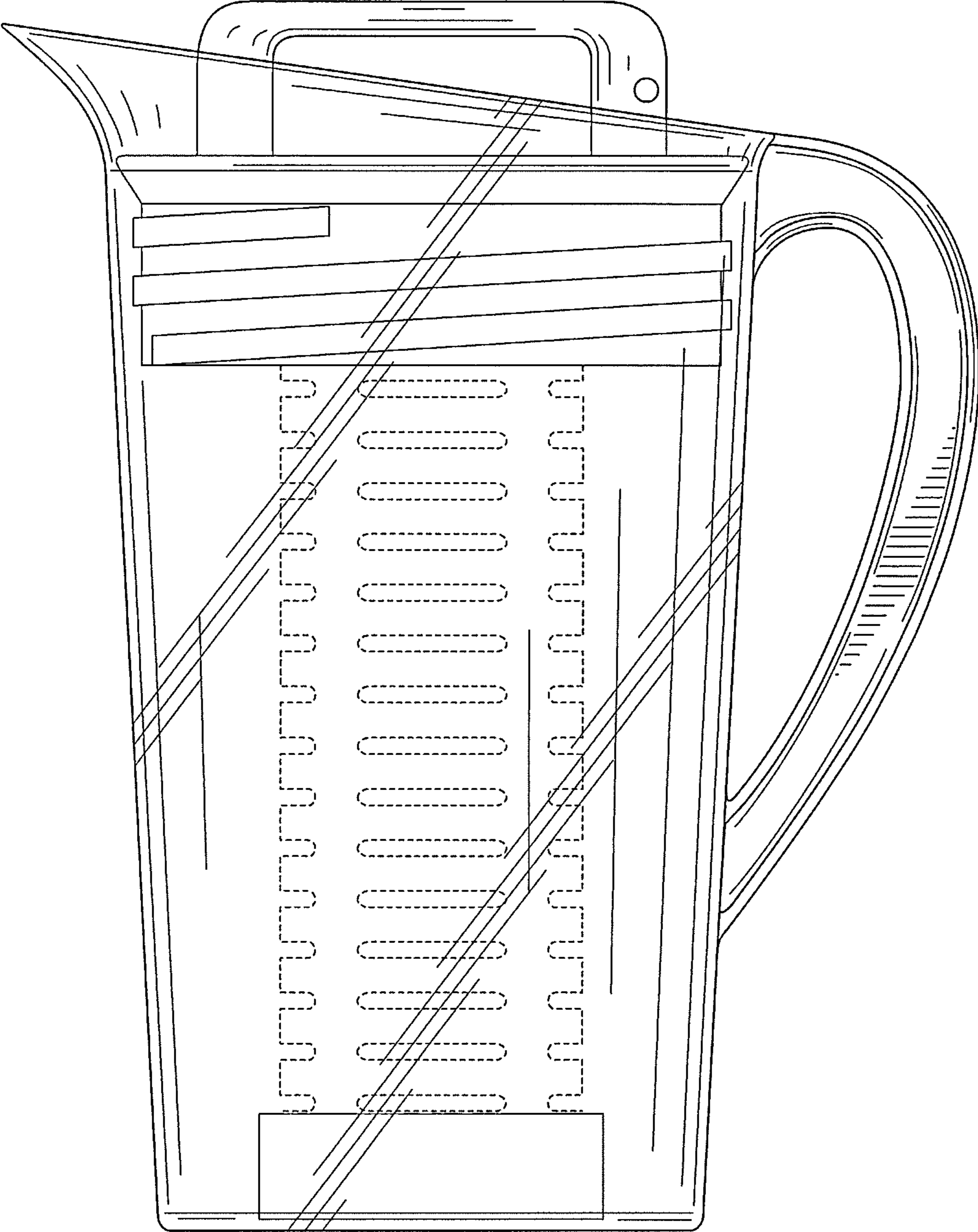


FIG. 4

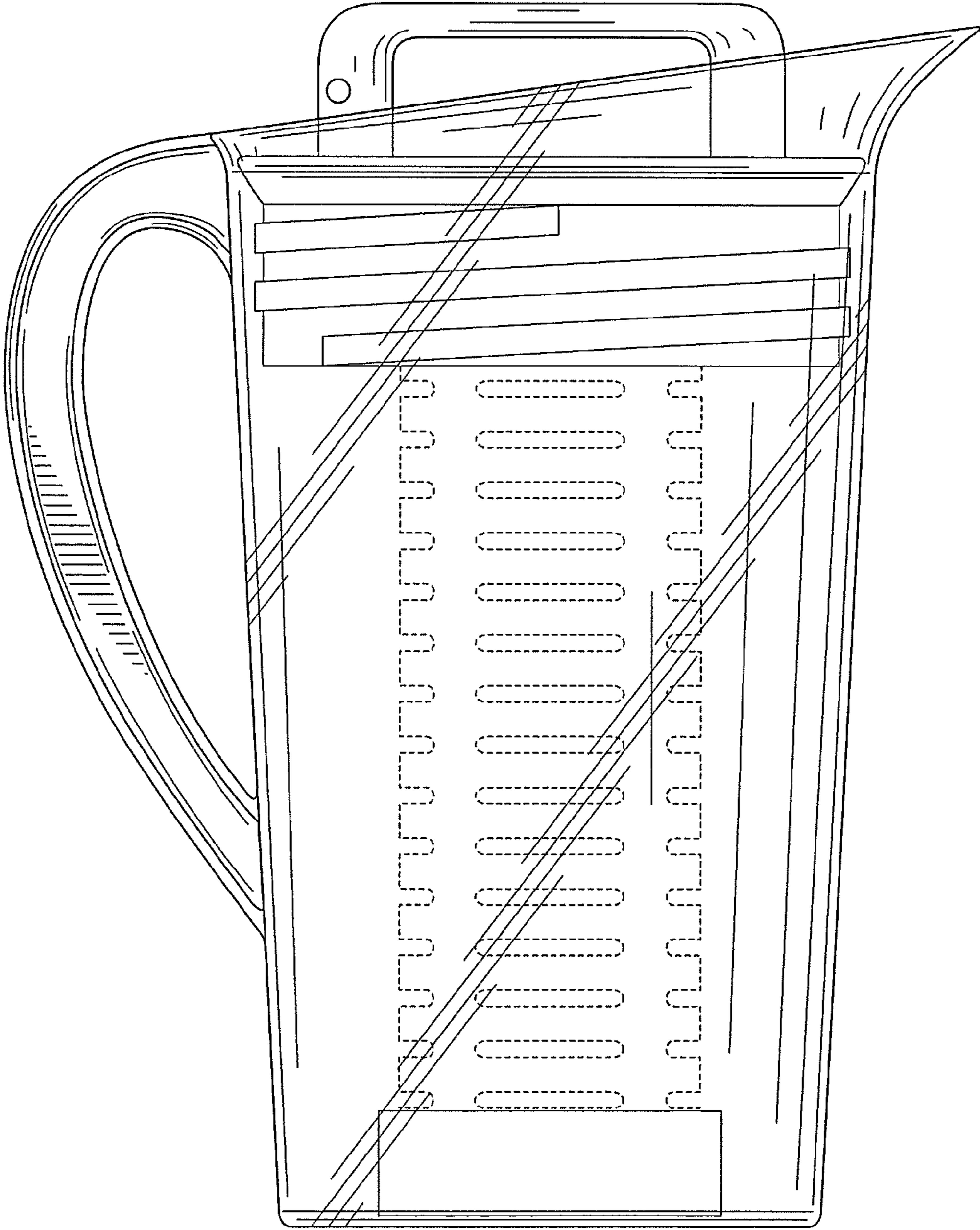


FIG. 5

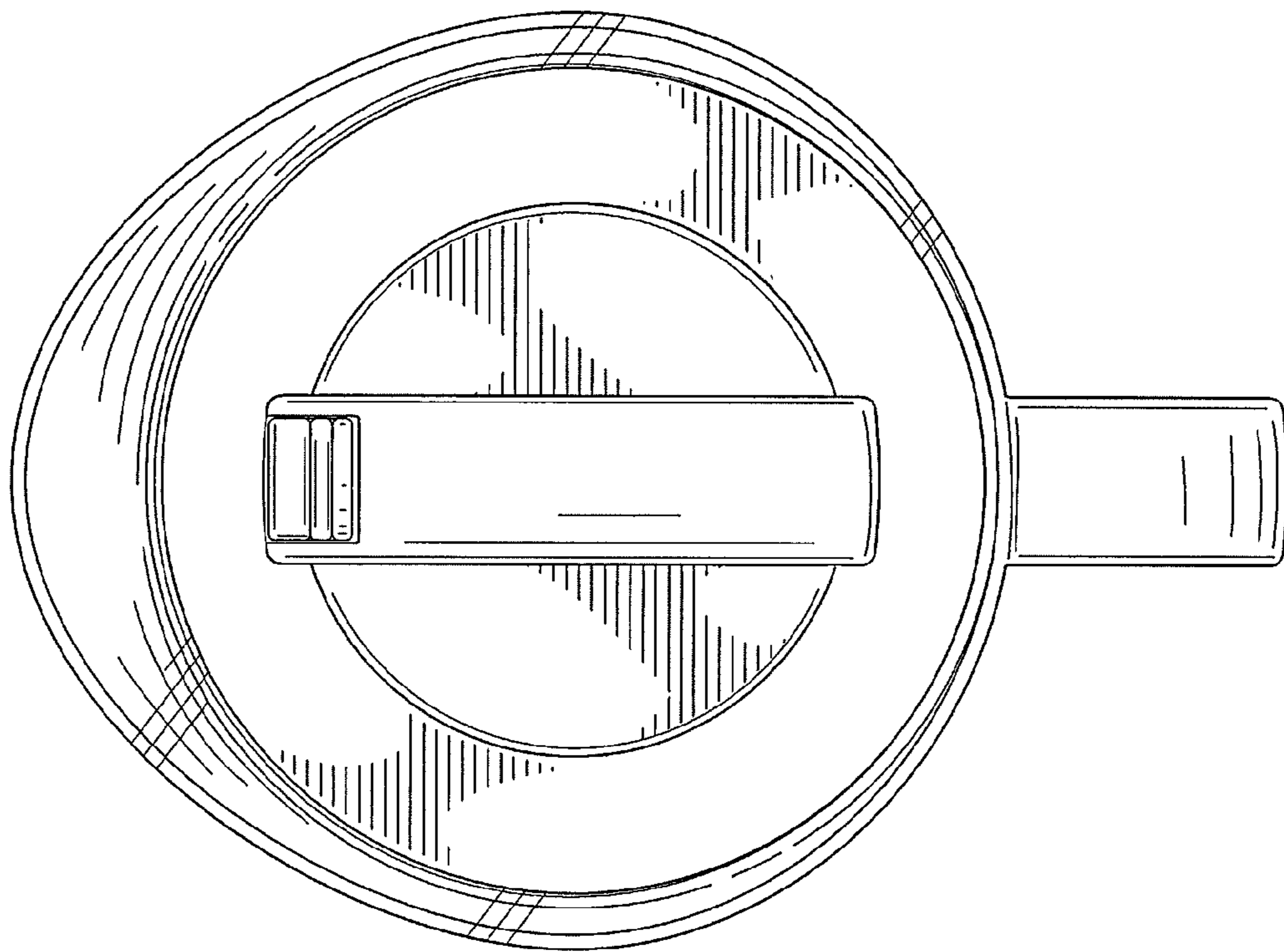


FIG. 6

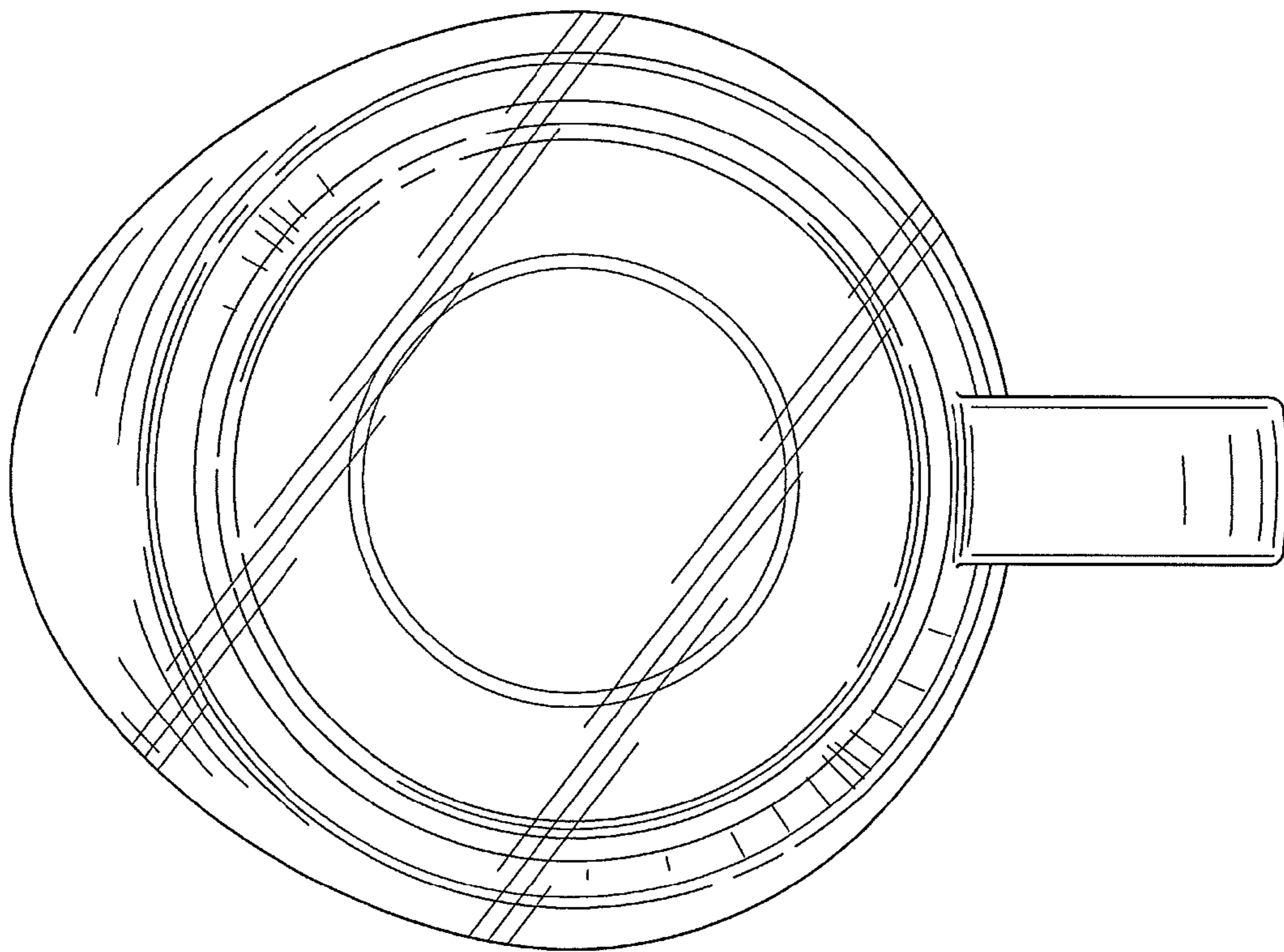


FIG. 7

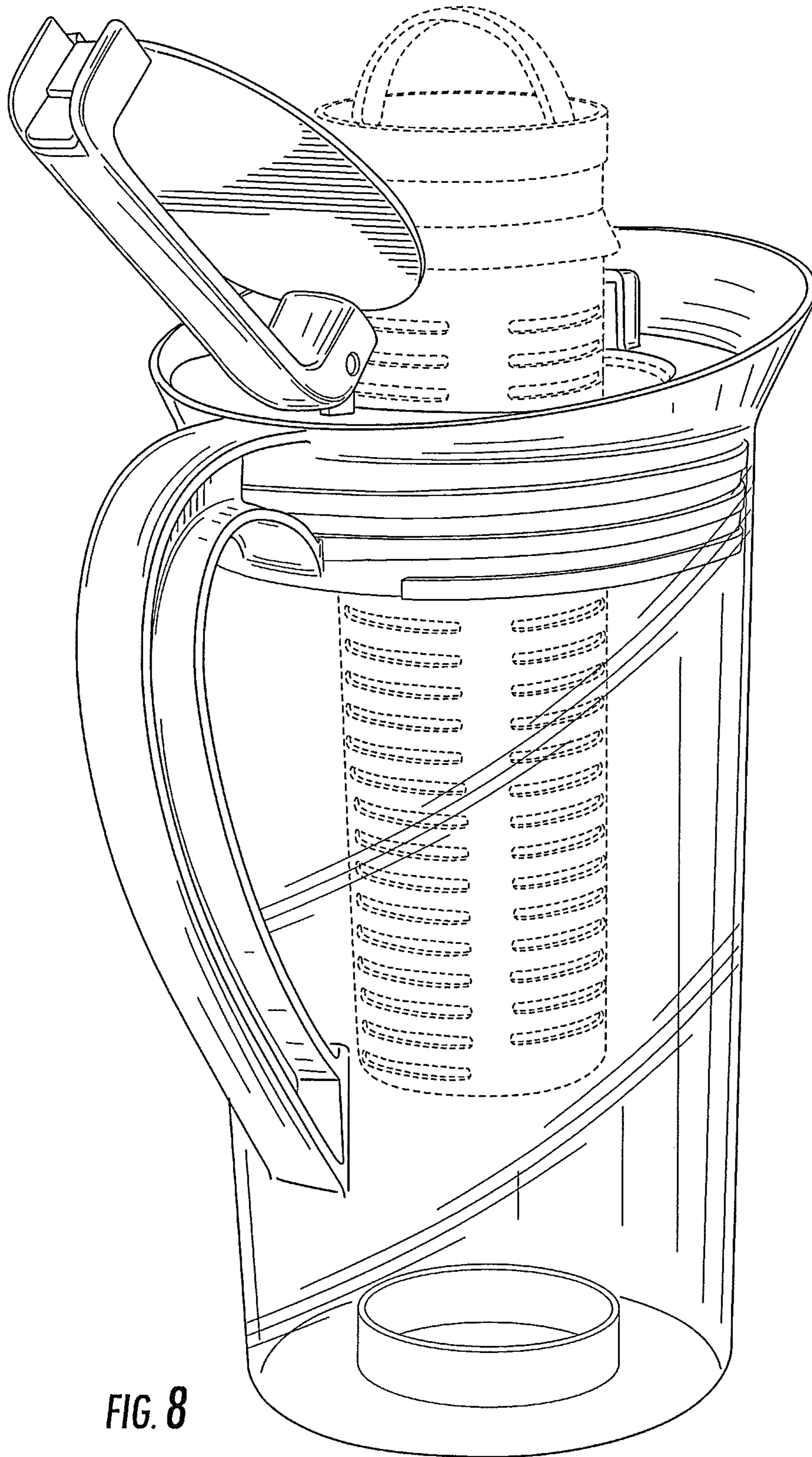


FIG. 8