



US00D720173S

(12) **United States Design Patent**
Polakoff

(10) **Patent No.:** **US D720,173 S**

(45) **Date of Patent:** **** Dec. 30, 2014**

(54) **BEVERAGE SHOT CHILLER**

(71) Applicant: **Sacha Polakoff**, Huntington Beach, CA
(US)

(72) Inventor: **Sacha Polakoff**, Huntington Beach, CA
(US)

(**) Term: **14 Years**

(21) Appl. No.: **29/453,746**

(22) Filed: **May 2, 2013**

(51) **LOC (10) CL.** **07-01**

(52) **U.S. CL.**
USPC **D7/306; D7/313**

(58) **Field of Classification Search**
CPC **A47J 31/00**
USPC **D7/313, 306, 397, 307, 300, 512;**
222/183, 146.6; 220/374; 62/3.64
See application file for complete search history.

(56) **References Cited**

U.S. PATENT DOCUMENTS

D181,039 S * 9/1957 Brown D7/313
4,170,320 A * 10/1979 Eagar 222/146.6

D358,289 S * 5/1995 Thies et al. D7/306
D463,194 S * 9/2002 Busick et al. D7/313
D668,497 S * 10/2012 Hixon D7/301
D702,983 S * 4/2014 Clark et al. D7/306
D703,990 S * 5/2014 Henderson D7/306

* cited by examiner

Primary Examiner — Marianne Pandozzi

(74) *Attorney, Agent, or Firm* — Lance M. Pritikin

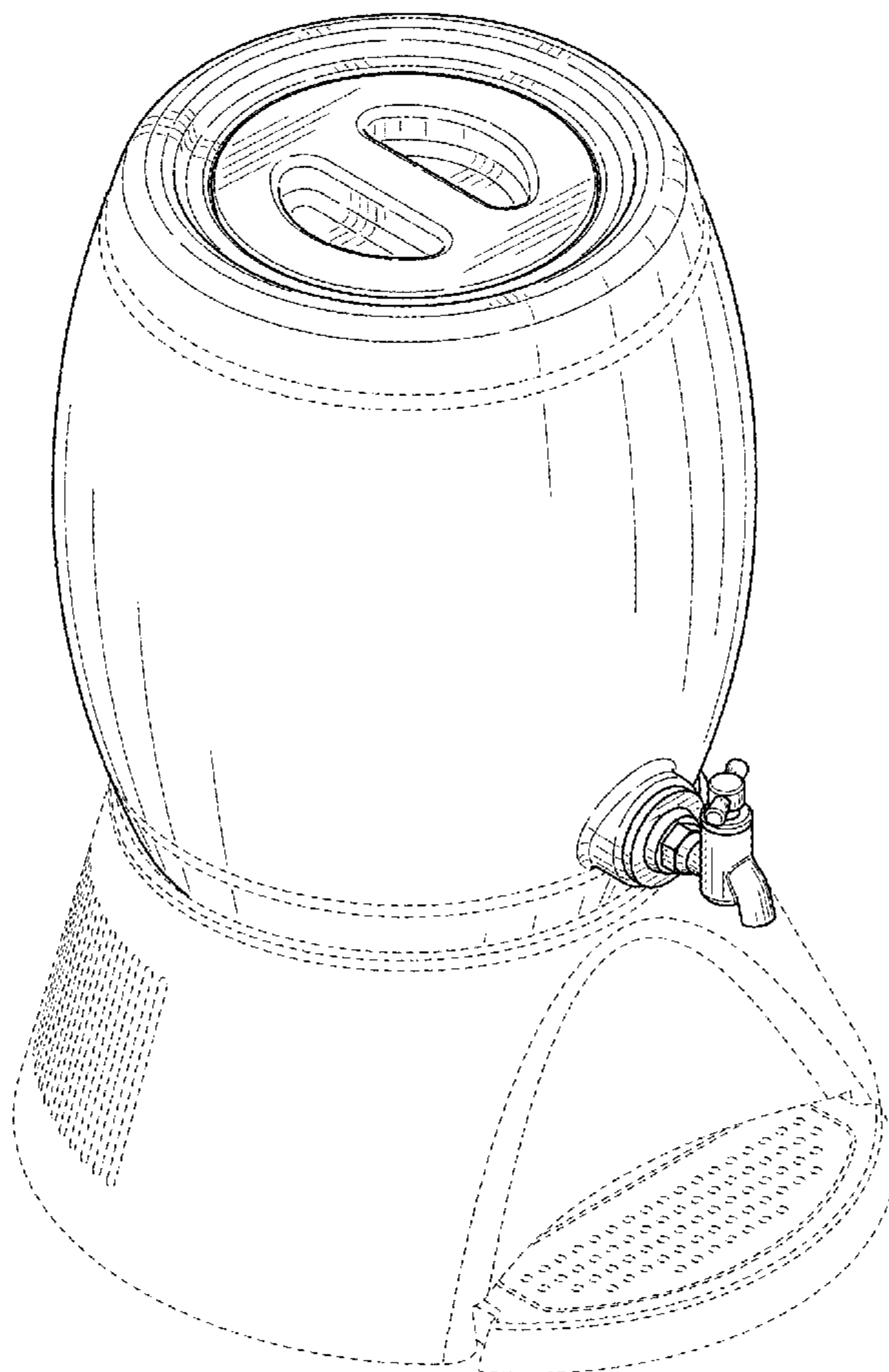
(57) **CLAIM**

The ornamental design for a beverage shot chiller, as shown and described.

DESCRIPTION

FIG. 1 is a front perspective view of the beverage shot chiller, showing my new design;
FIG. 2 is a front elevational view thereof;
FIG. 3 is a rear elevational view thereof;
FIG. 4 is a right side elevational view thereof;
FIG. 5 is a left side elevational view thereof;
FIG. 6 is a top plan view thereof; and,
FIG. 7 is a bottom plan view thereof.
The broken lines are included for illustrative purposes only and form no part of the claimed design.

1 Claim, 4 Drawing Sheets



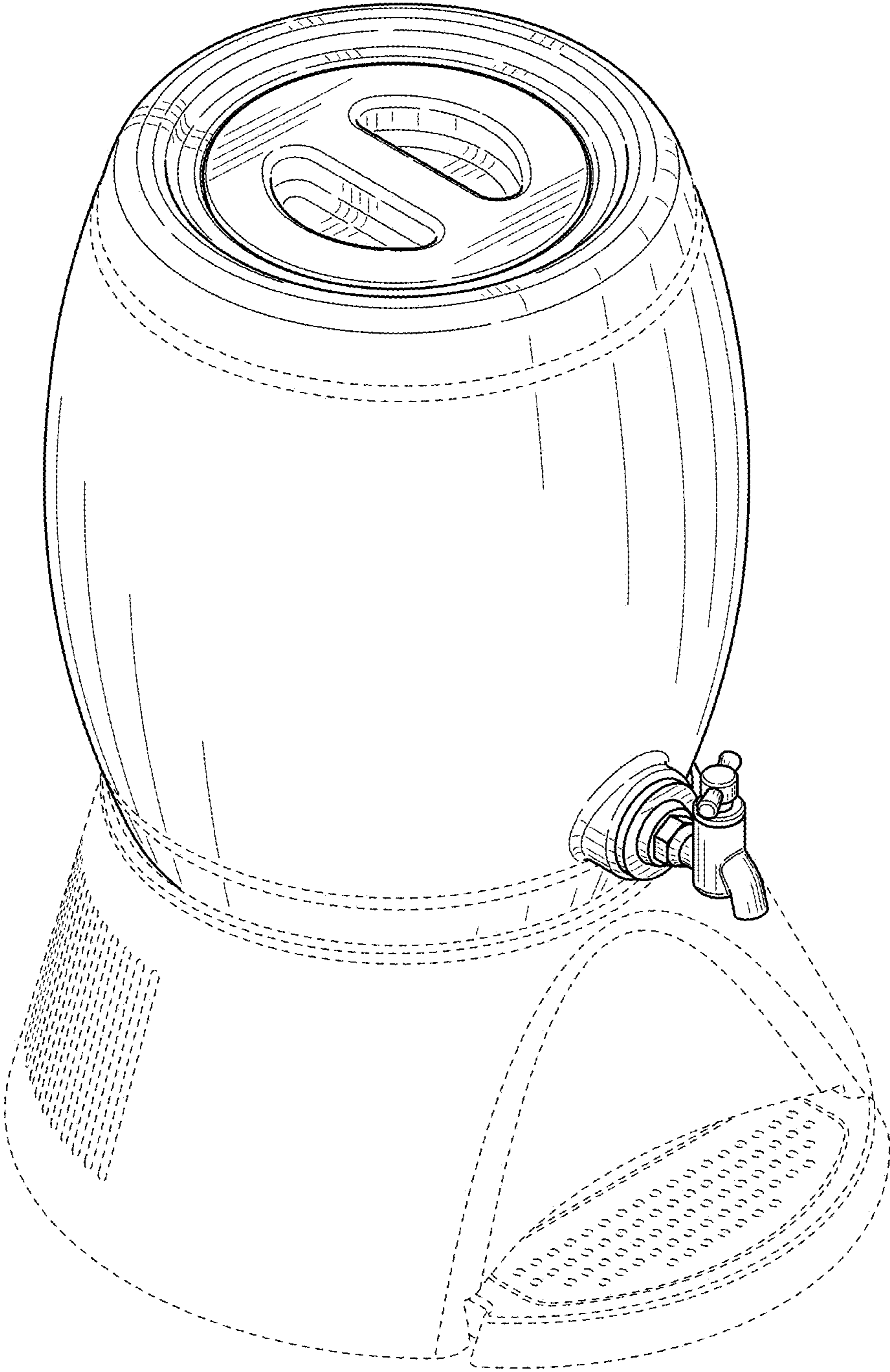


FIG. 1

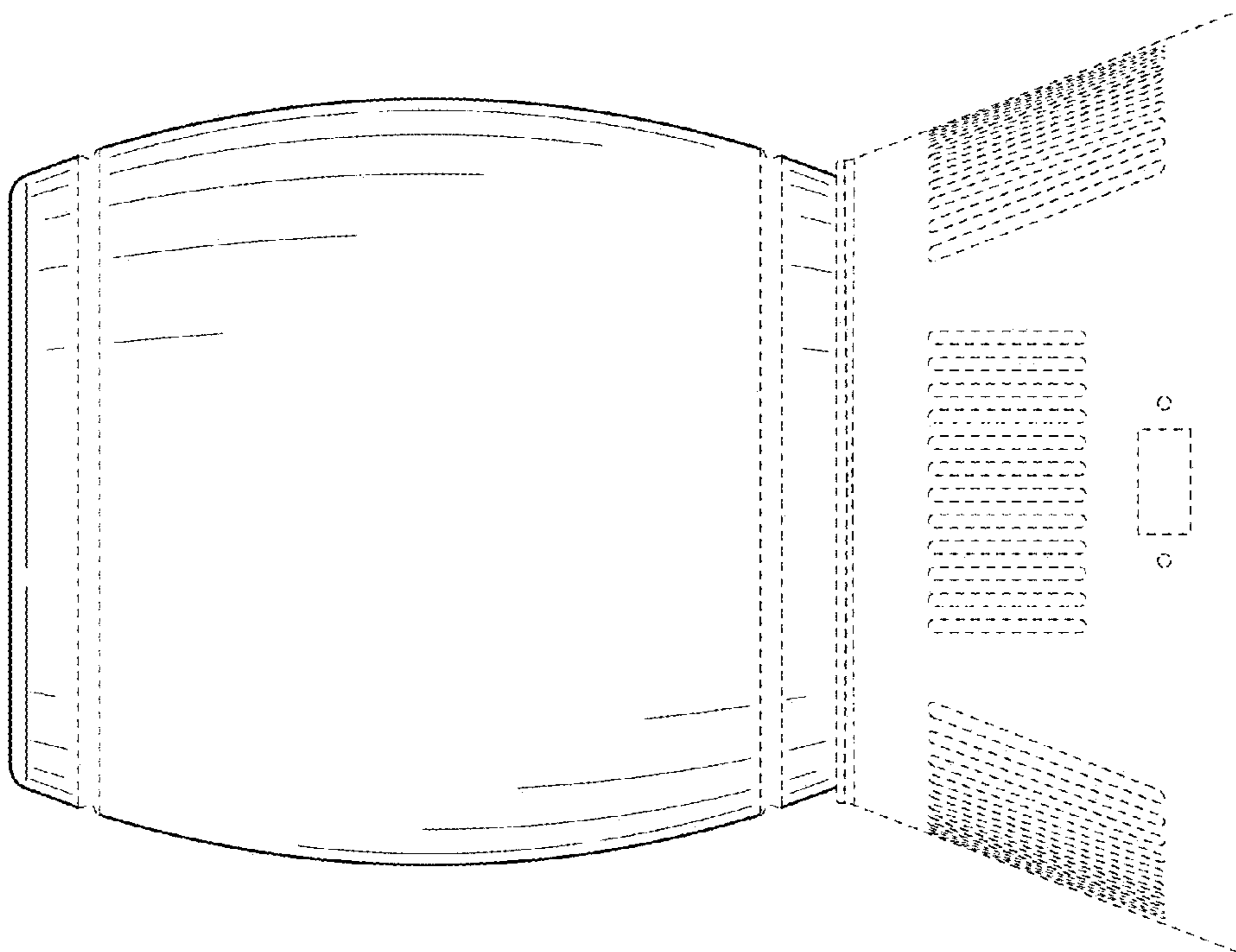


FIG. 3

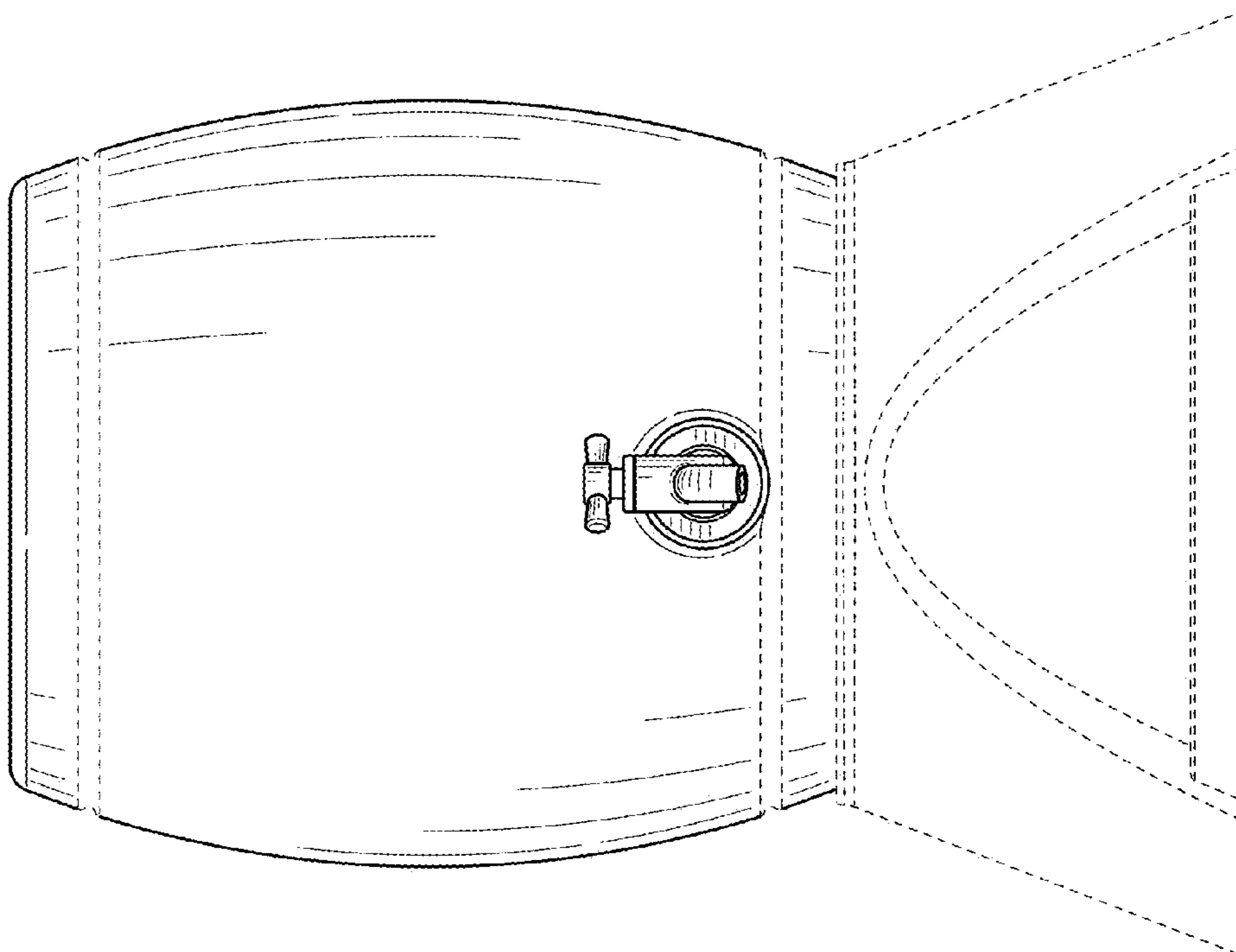


FIG. 2

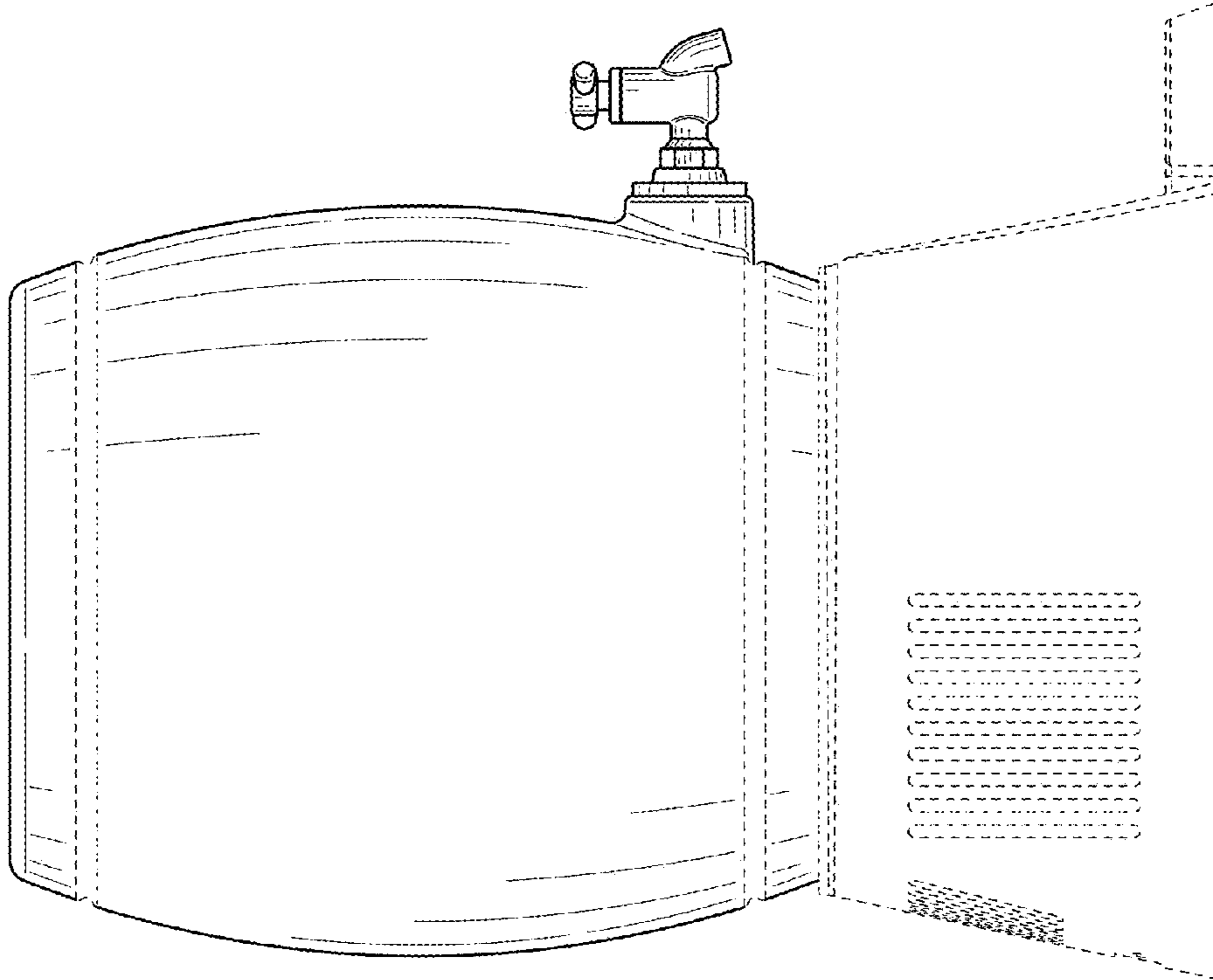


FIG. 5

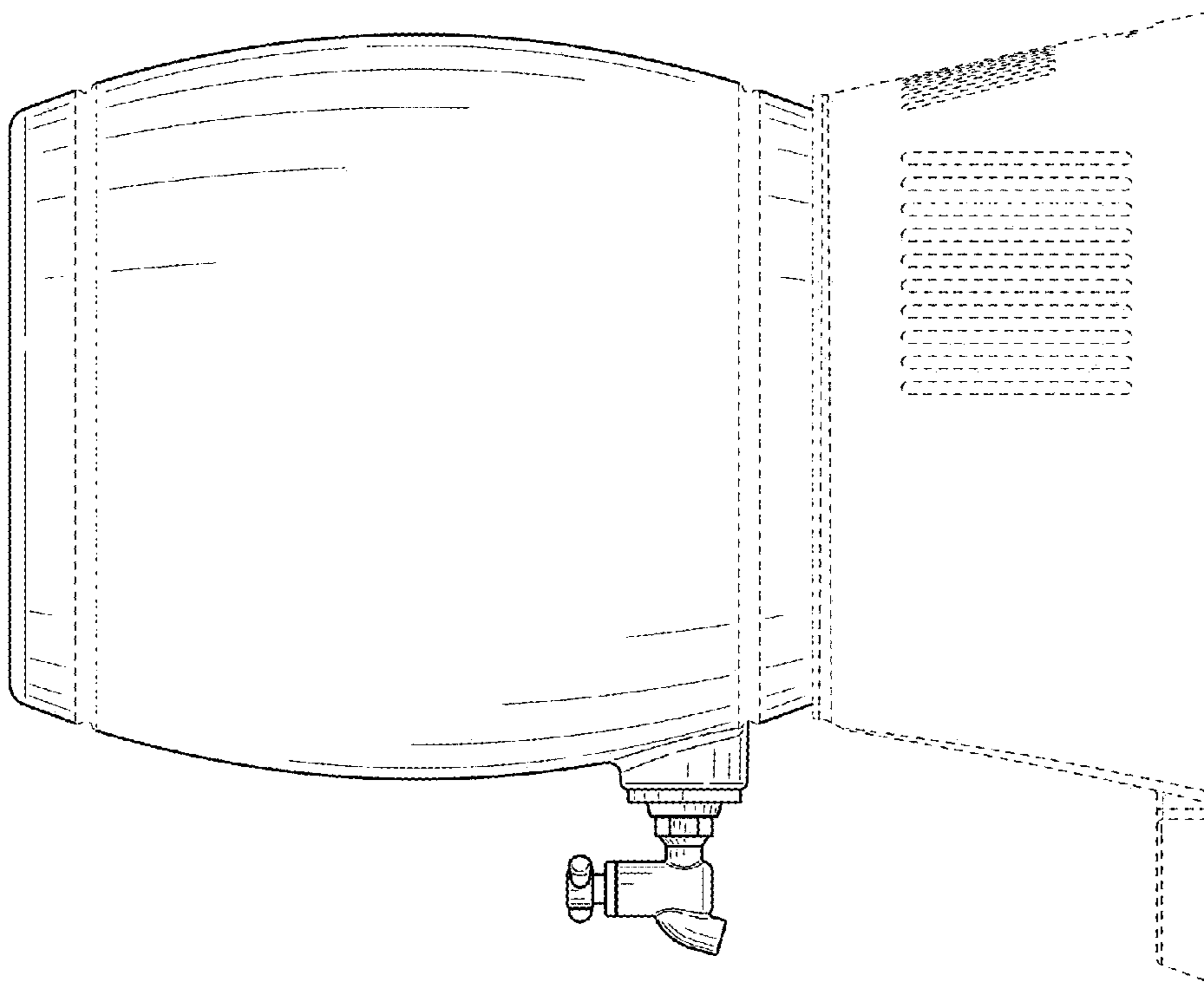


FIG. 4

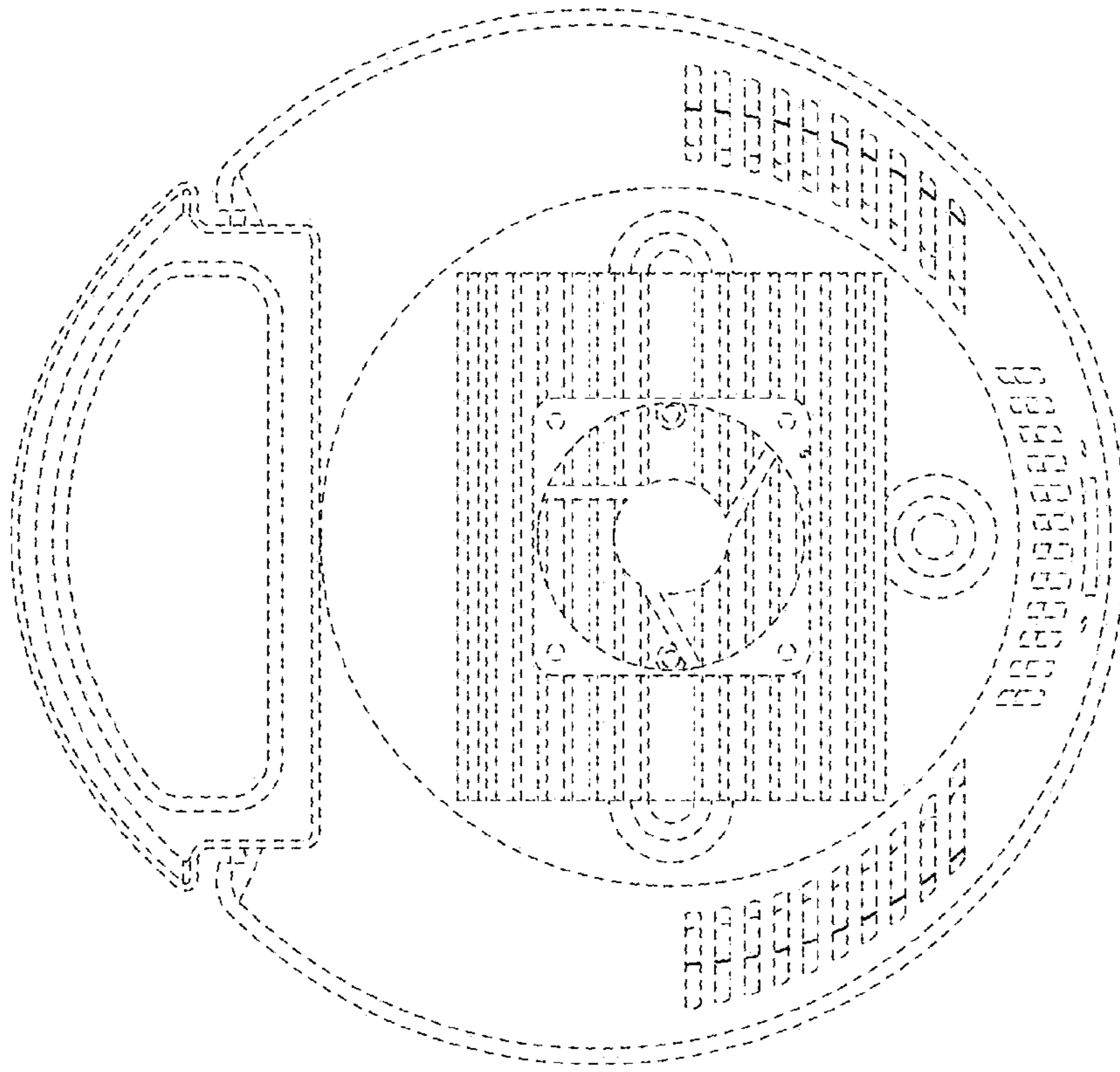


FIG. 7

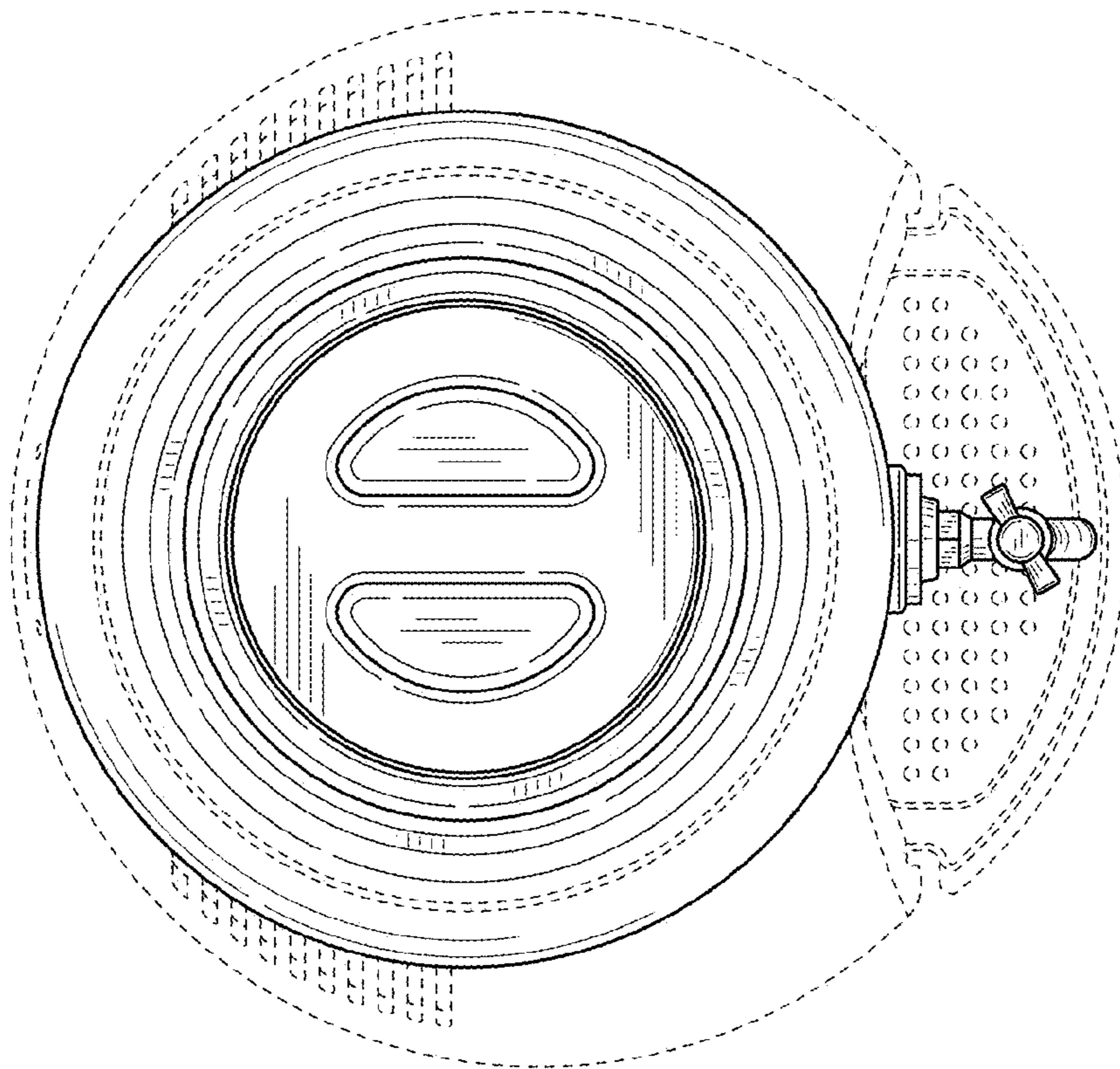


FIG. 6