



US00D720169S

(12) **United States Design Patent**  
**Lenhart**

(10) **Patent No.:** **US D720,169 S**

(45) **Date of Patent:** **\*\* Dec. 30, 2014**

(54) **SET OF TABLE LEGS**

(71) Applicant: **Krueger International, Inc.**, Green Bay, WI (US)

(72) Inventor: **Tad E. Lenhart**, De Pere, WI (US)

(73) Assignee: **Krueger International, Inc.**, Green Bay, WI (US)

(\*\*) Term: **14 Years**

(21) Appl. No.: **29/454,506**

(22) Filed: **May 10, 2013**

(51) **LOC (10) Cl.** ..... **06-06**

(52) **U.S. Cl.**  
USPC ..... **D6/708.16**

(58) **Field of Classification Search**  
CPC ..... A47B 2013/024; A47B 2013/026;  
A47B 2013/006; A47B 2200/0011; A47B  
2200/0031  
USPC ..... D6/691.6, 692.4, 693.1, 656.13,  
D6/708.16; 108/153.1, 156, 157.1, 161;  
248/188, 188.1  
See application file for complete search history.

(56) **References Cited**

U.S. PATENT DOCUMENTS

D172,551 S *	7/1954	Pierce	.....	D6/455
D246,341 S *	11/1977	Boughton	.....	D6/487
D325,834 S *	5/1992	Fredrick	.....	D6/487
D361,230 S *	8/1995	Vignelli et al.	.....	D6/487
6,471,168 B1 *	10/2002	Tseng	.....	248/188
D557,524 S *	12/2007	Simpson	.....	D6/487
D677,082 S *	3/2013	Kemnitzer et al.	.....	D6/708.16

\* cited by examiner

Primary Examiner — Janice Seeger

(74) *Attorney, Agent, or Firm* — Andrus Intellectual Property Law, LLP

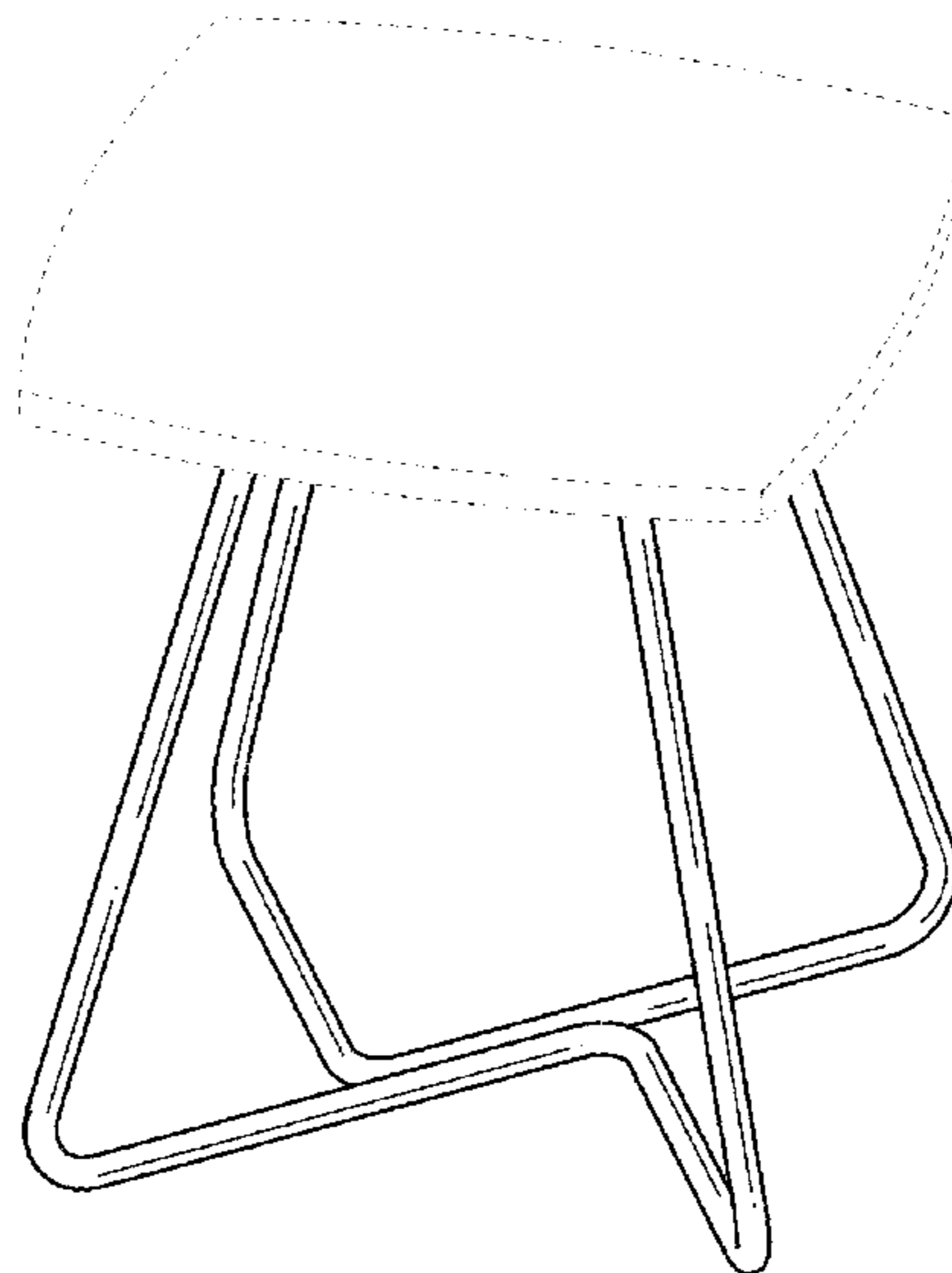
(57) **CLAIM**

The ornamental design for set of table legs, as shown and described.

**DESCRIPTION**

FIG. 1 is an isometric view of set of table legs incorporating my new design;  
 FIG. 2 is a front elevation view thereof, where the rear elevation view is identical thereto;  
 FIG. 3 is a right side elevation view thereof, wherein the left side elevation view is identical thereto;  
 FIG. 4 is a top plan view thereof;  
 FIG. 5 is a top view taken along line 5-5 of FIG. 2;  
 FIG. 6 is a bottom plan view thereof;  
 FIG. 7 is an isometric view of a second embodiment of set of table legs incorporating my new design;  
 FIG. 8 is front elevation view thereof; wherein the rear elevation view is identical thereto;  
 FIG. 9 is right side elevation view thereof, wherein the left side elevation view is identical thereto;  
 FIG. 10 is a top plan view thereof;  
 FIG. 11 is a top plan view taken along line 11-11 of FIG. 8;  
 FIG. 12 is a bottom plan view thereof;  
 FIG. 13 is an isometric view of a third embodiment of set of table legs incorporating my new design;  
 FIG. 14 is front elevation view thereof, wherein the rear elevation view is identical thereto;  
 FIG. 15 is right side elevation view thereof, wherein the left side elevation view is identical thereto is a bottom plan view thereof;  
 FIG. 16 is a top plan view thereof  
 FIG. 17 is a top plan view taken along line 17-17 of FIG. 14;  
 and,  
 FIG. 18 is a bottom plan view thereof.  
 The portions shown in phantom illustrate environment only and form no part of the claimed design.

**1 Claim, 11 Drawing Sheets**



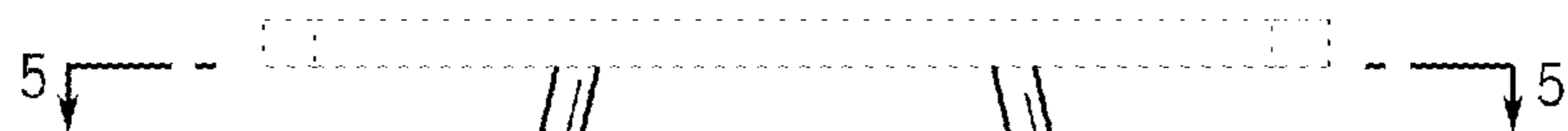
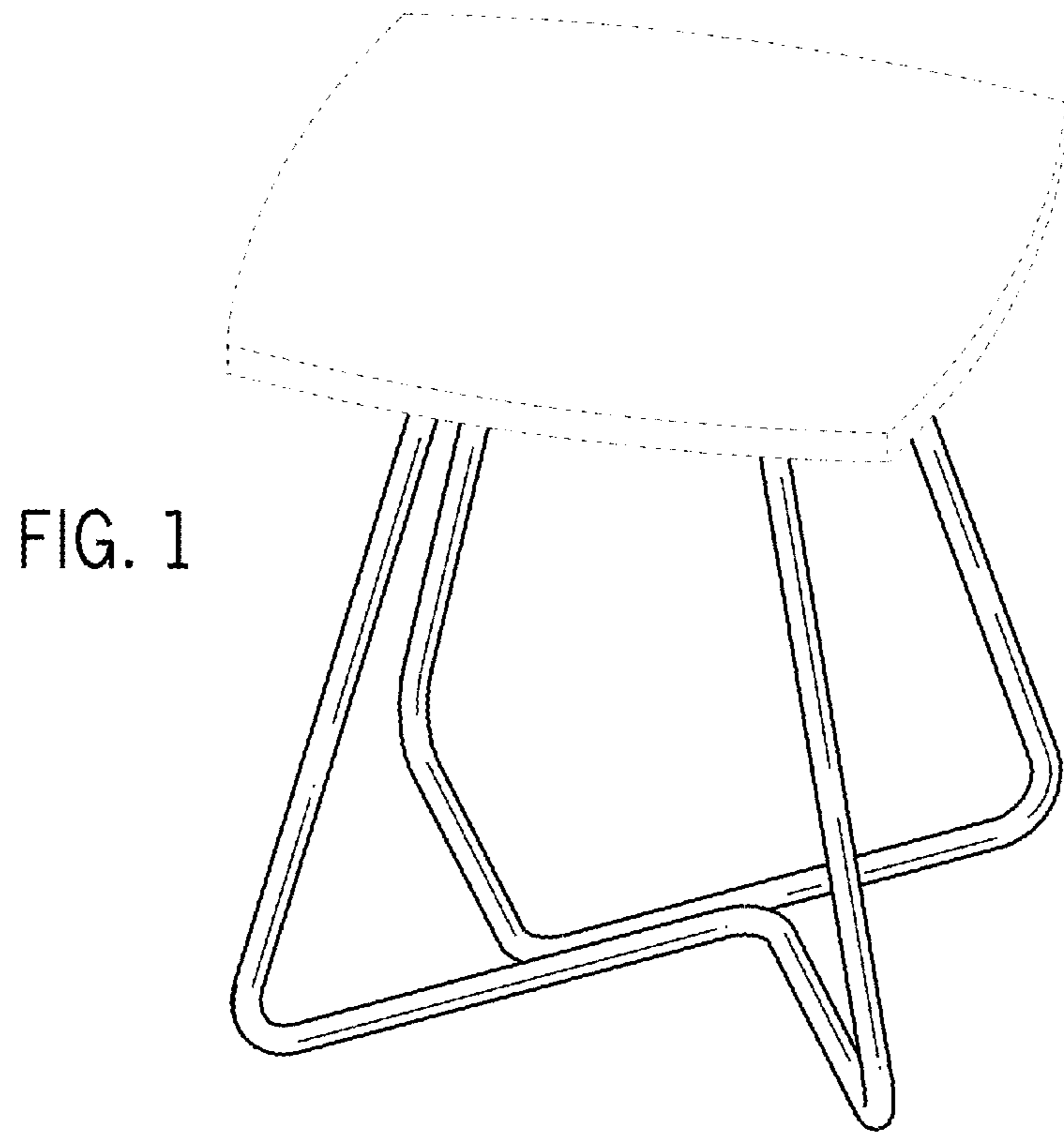


FIG. 2

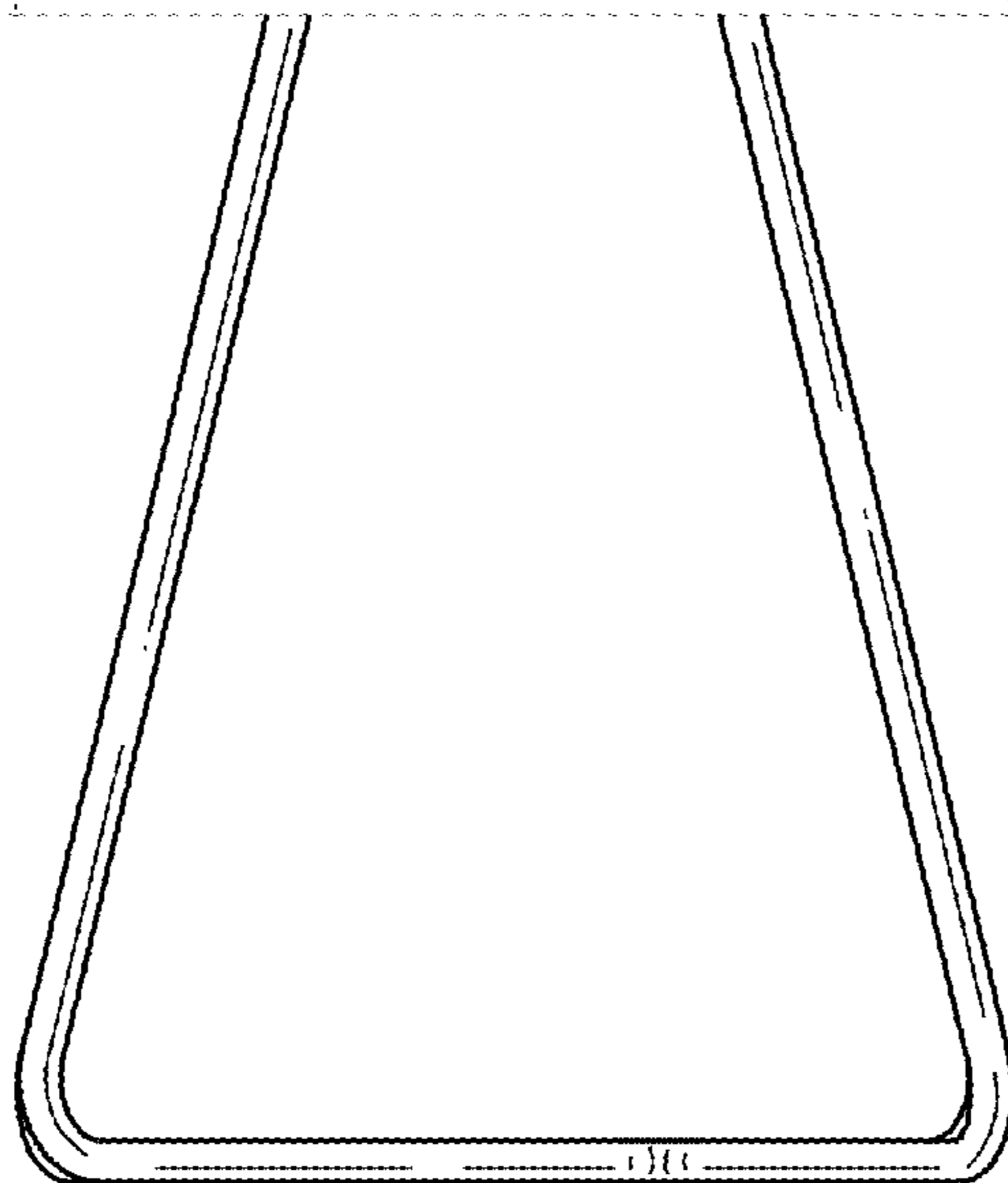


FIG. 3

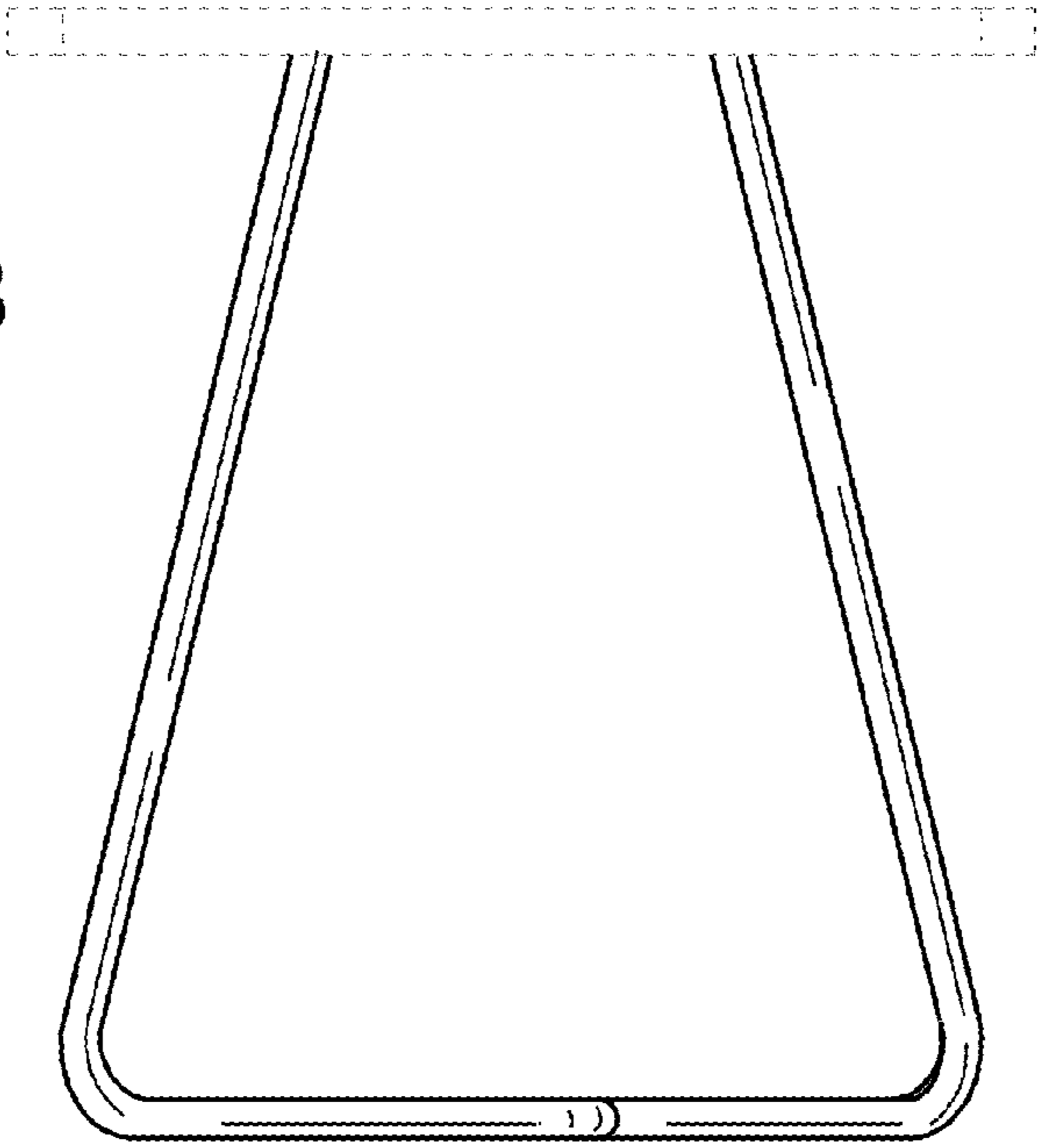


FIG. 4

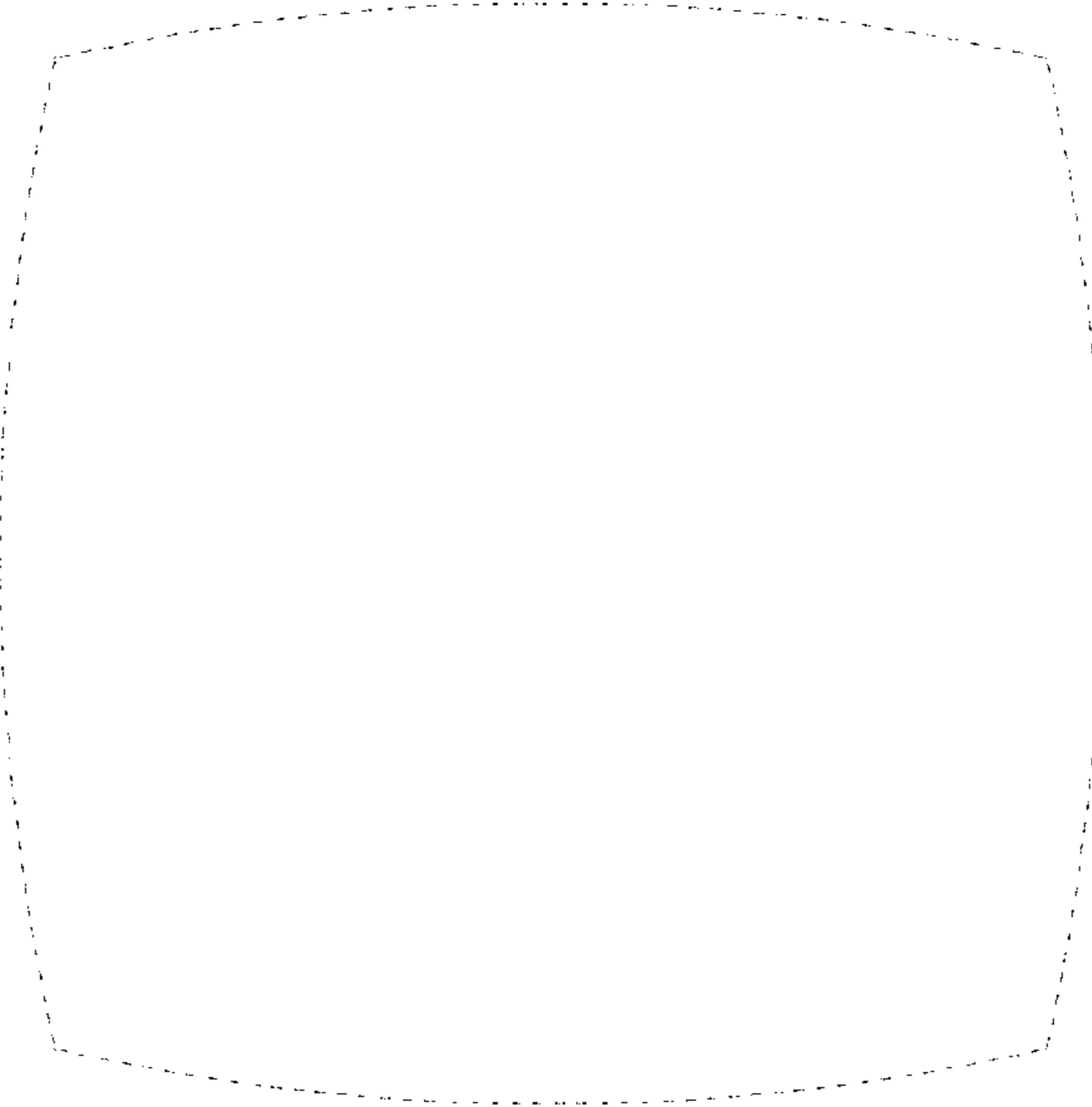


FIG. 5

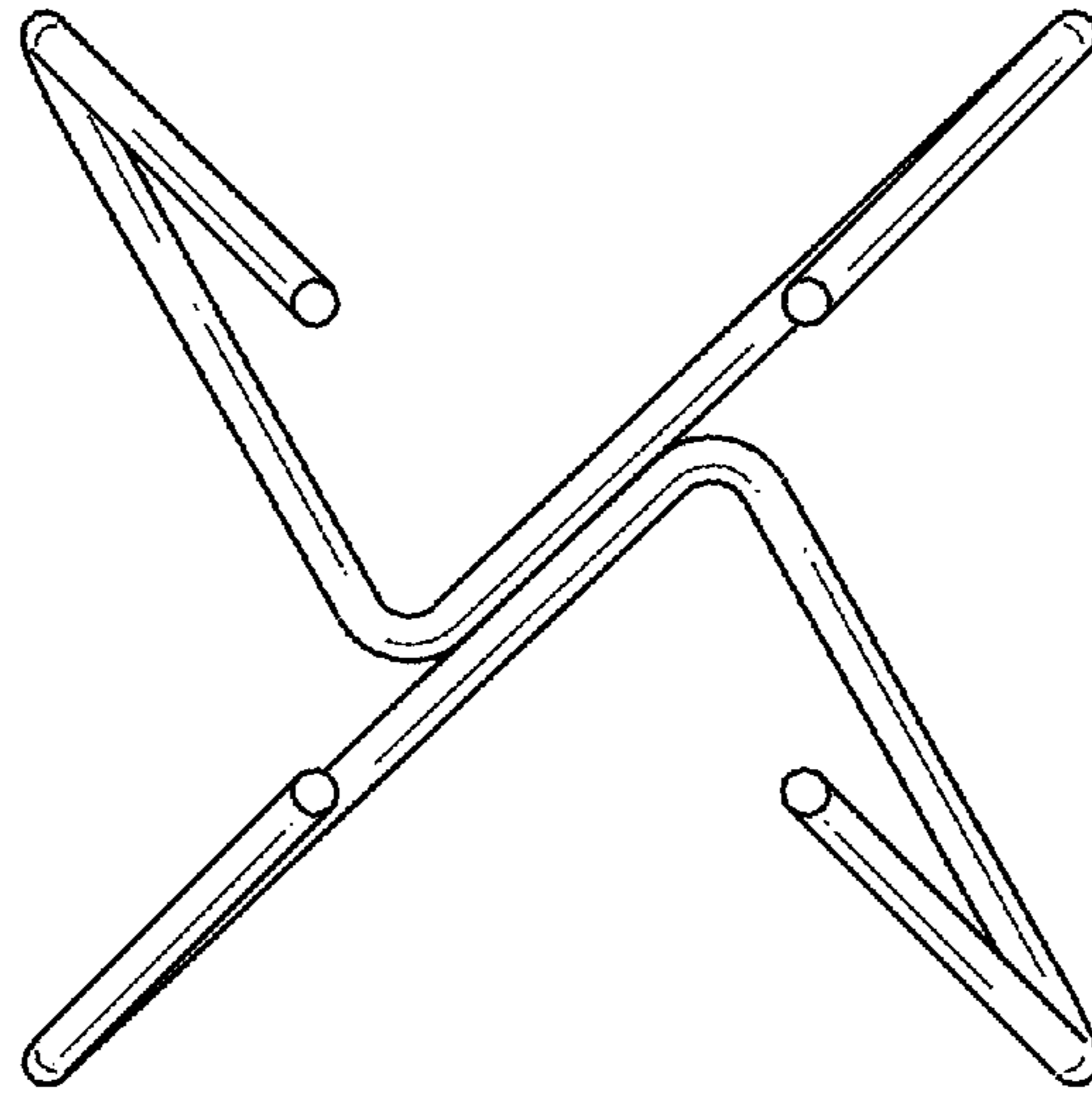


FIG. 6

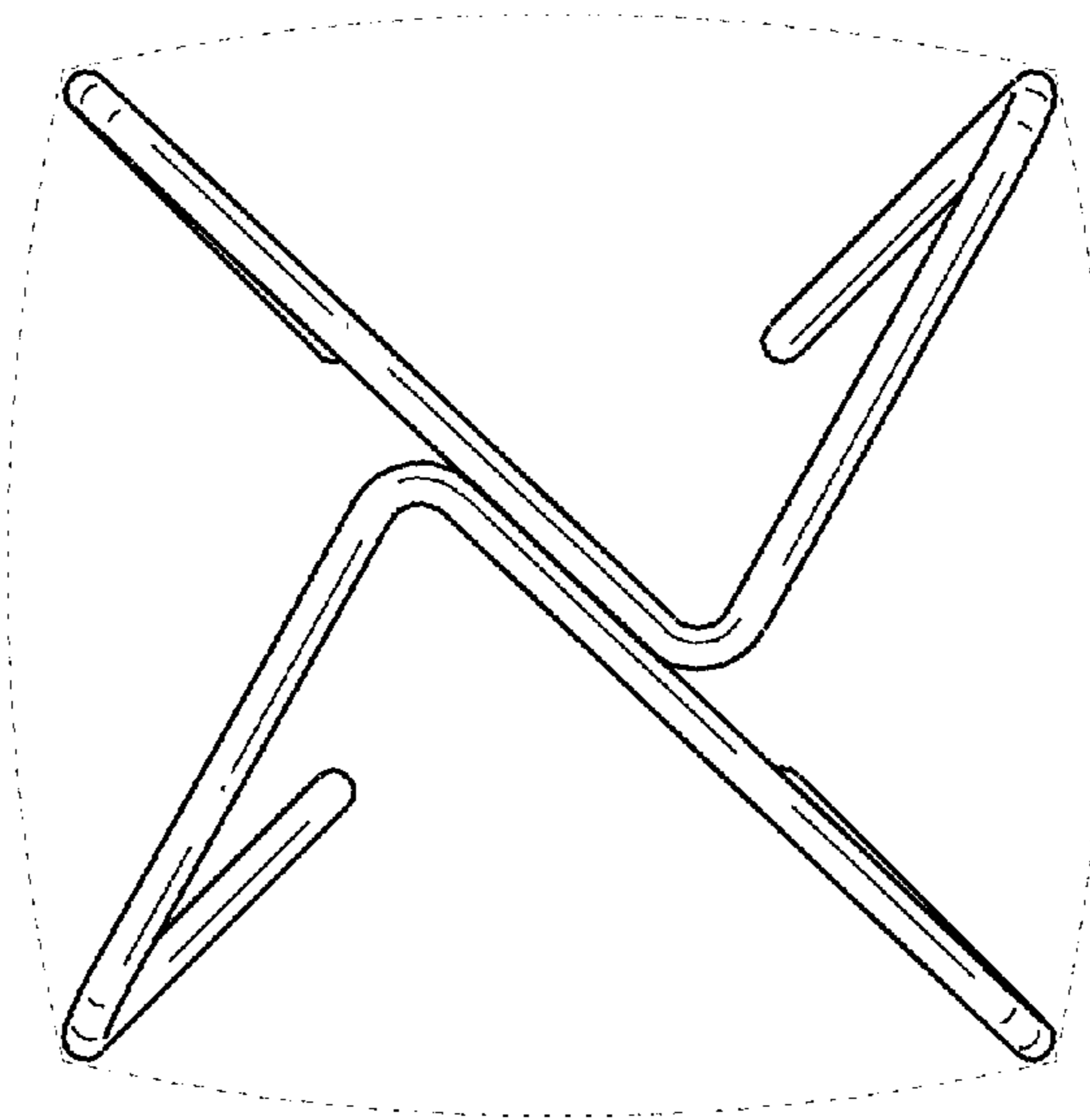


FIG. 7

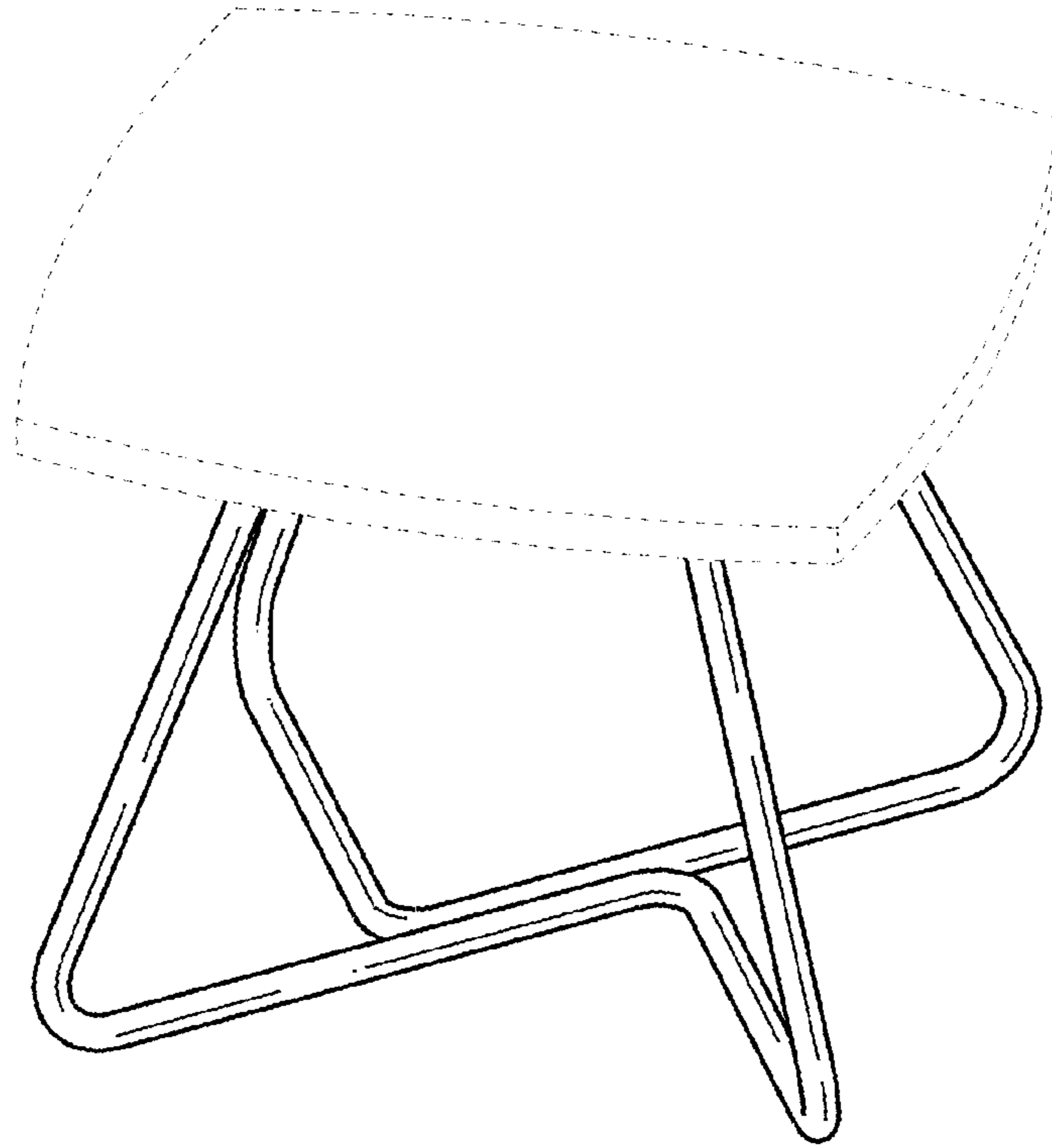


FIG. 8

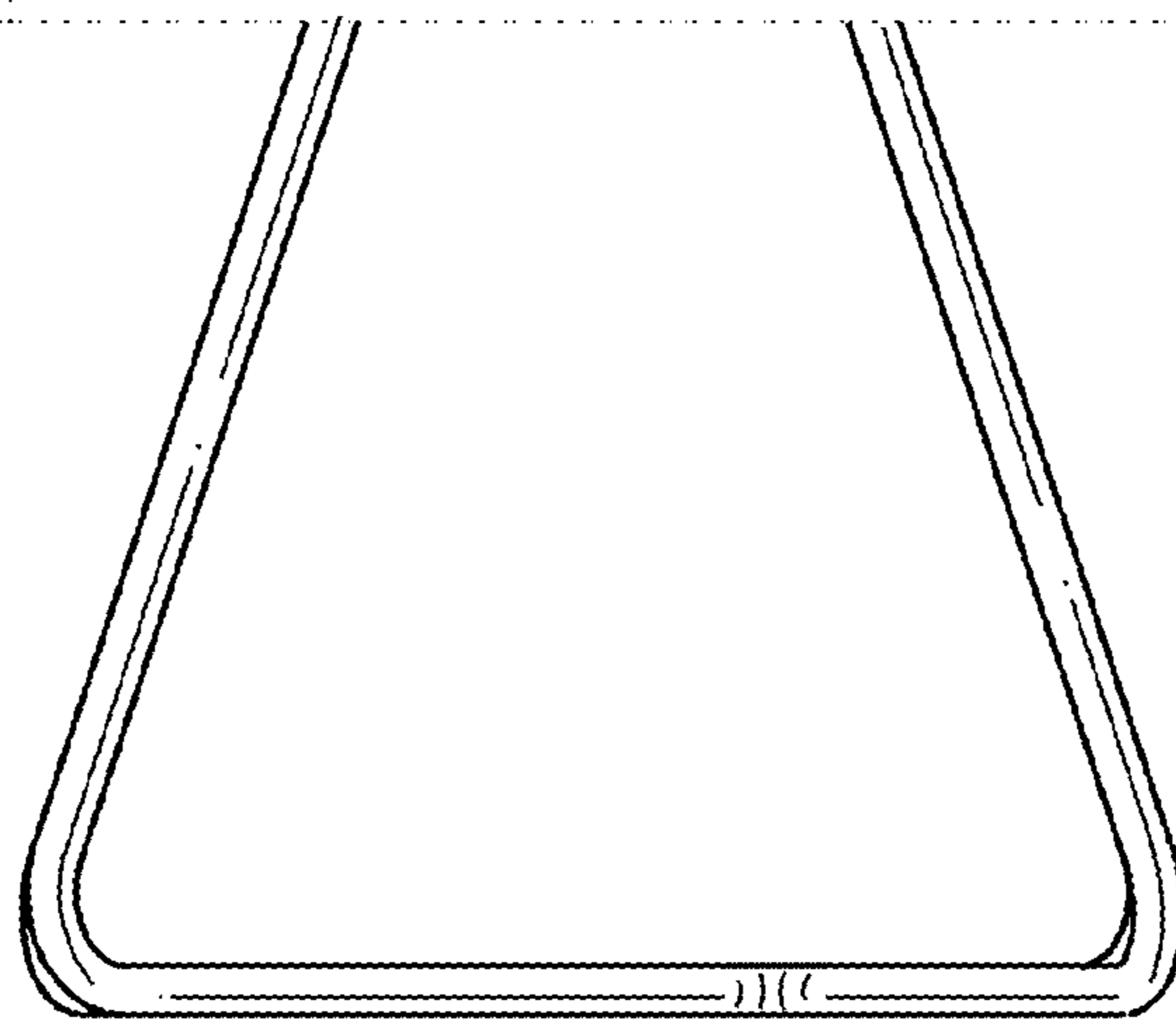


FIG. 9

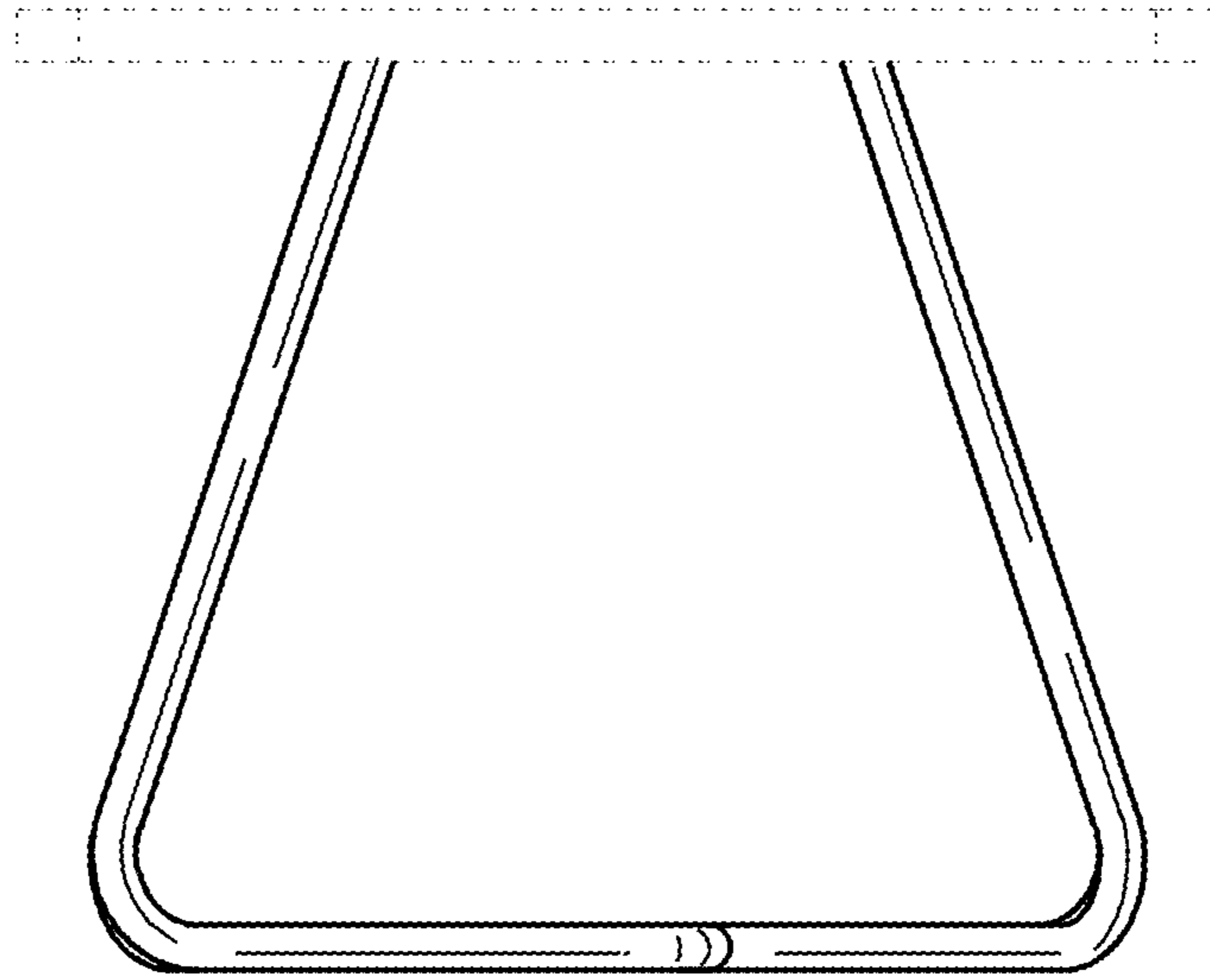


FIG. 10

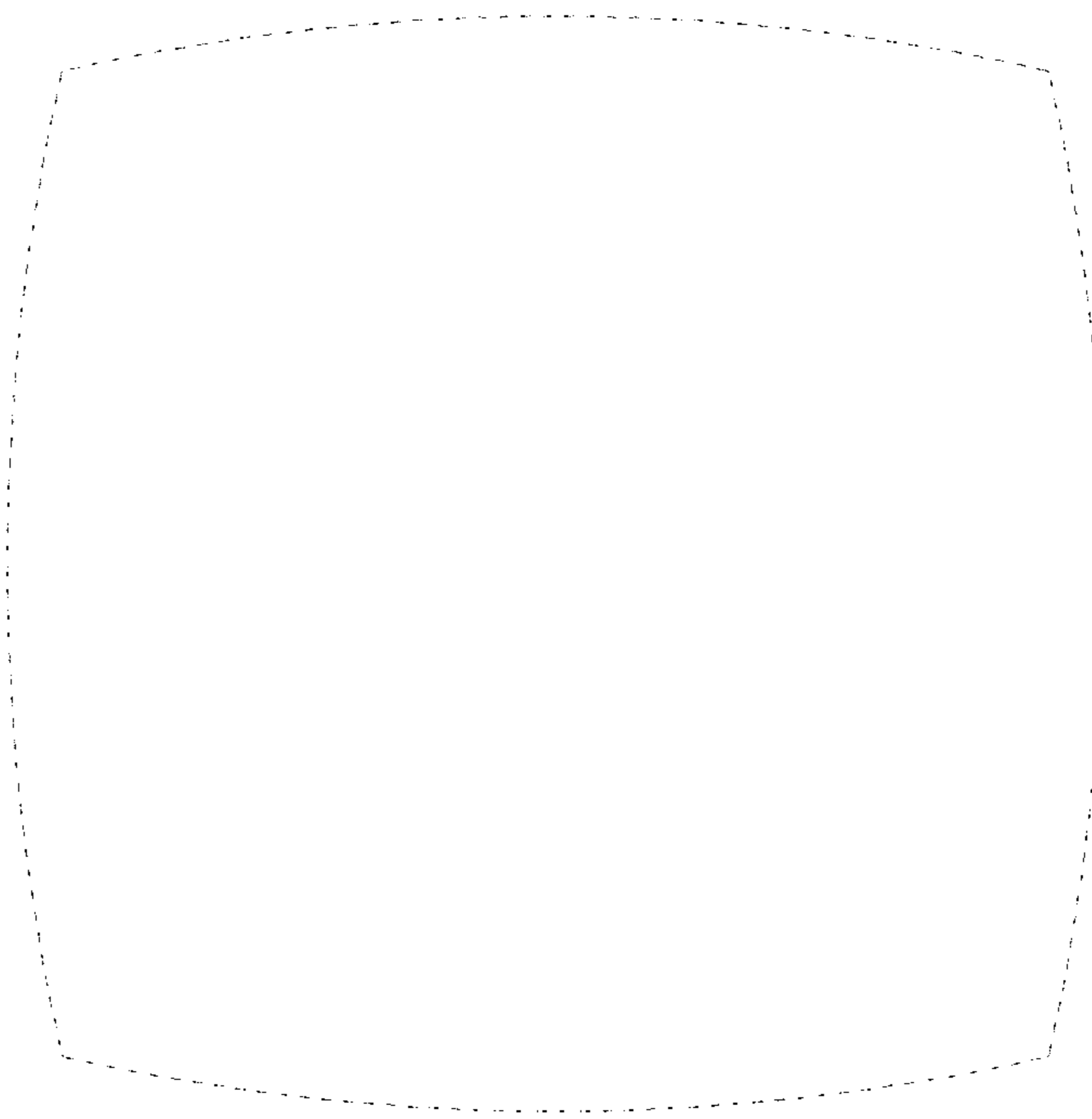


FIG. 11

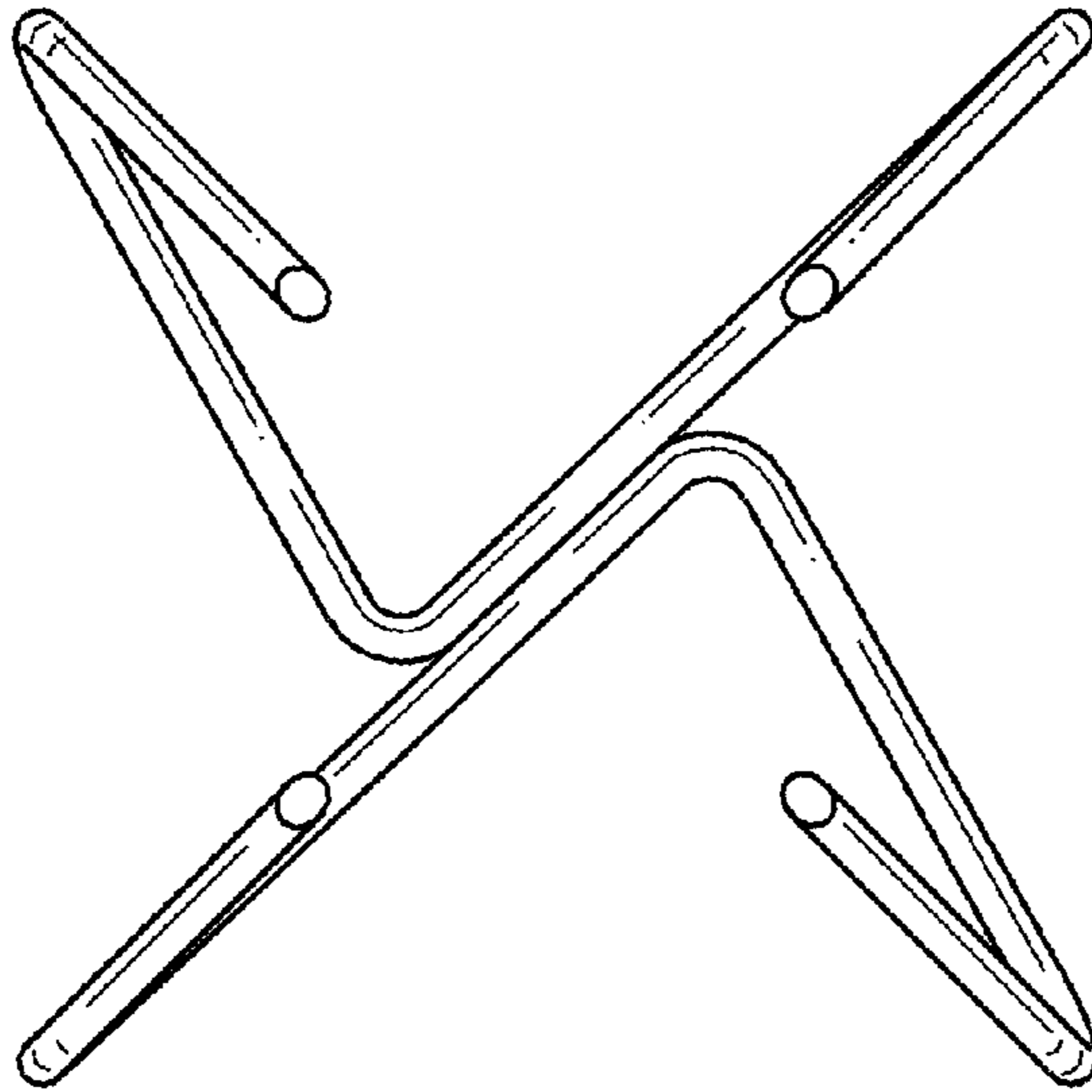
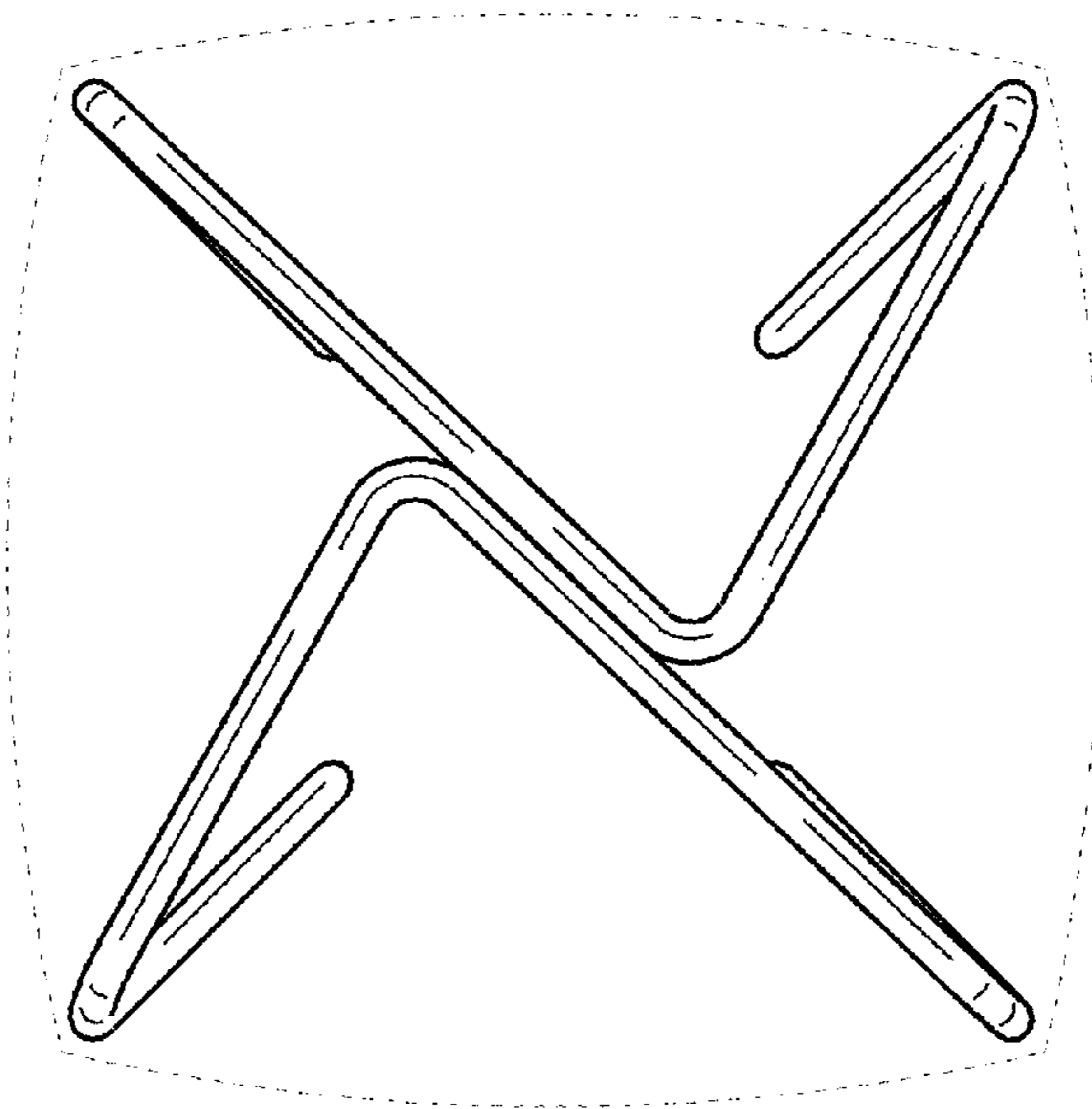


FIG. 12



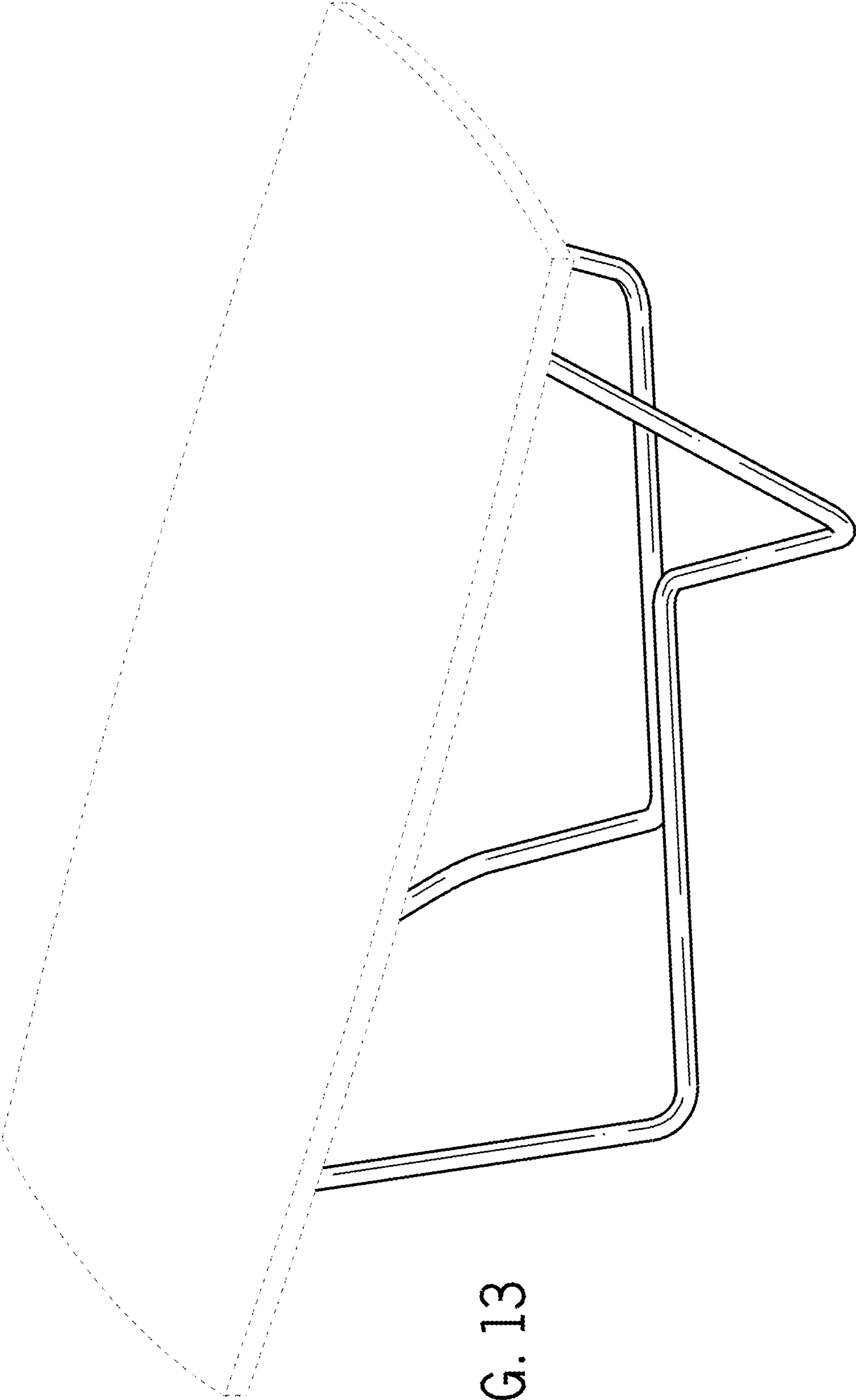


FIG. 13



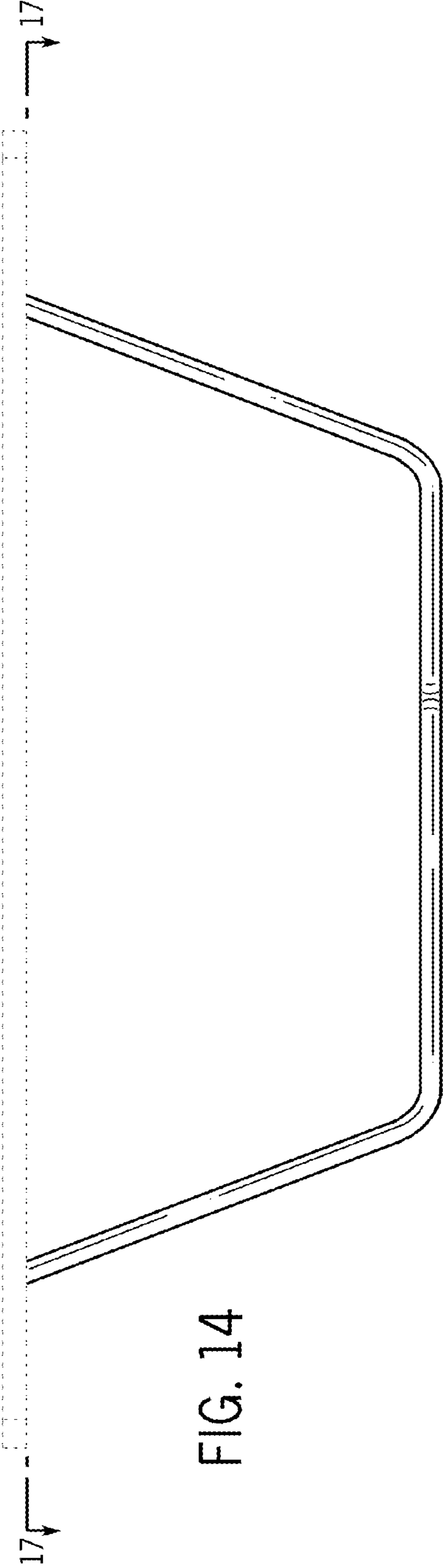


FIG. 14

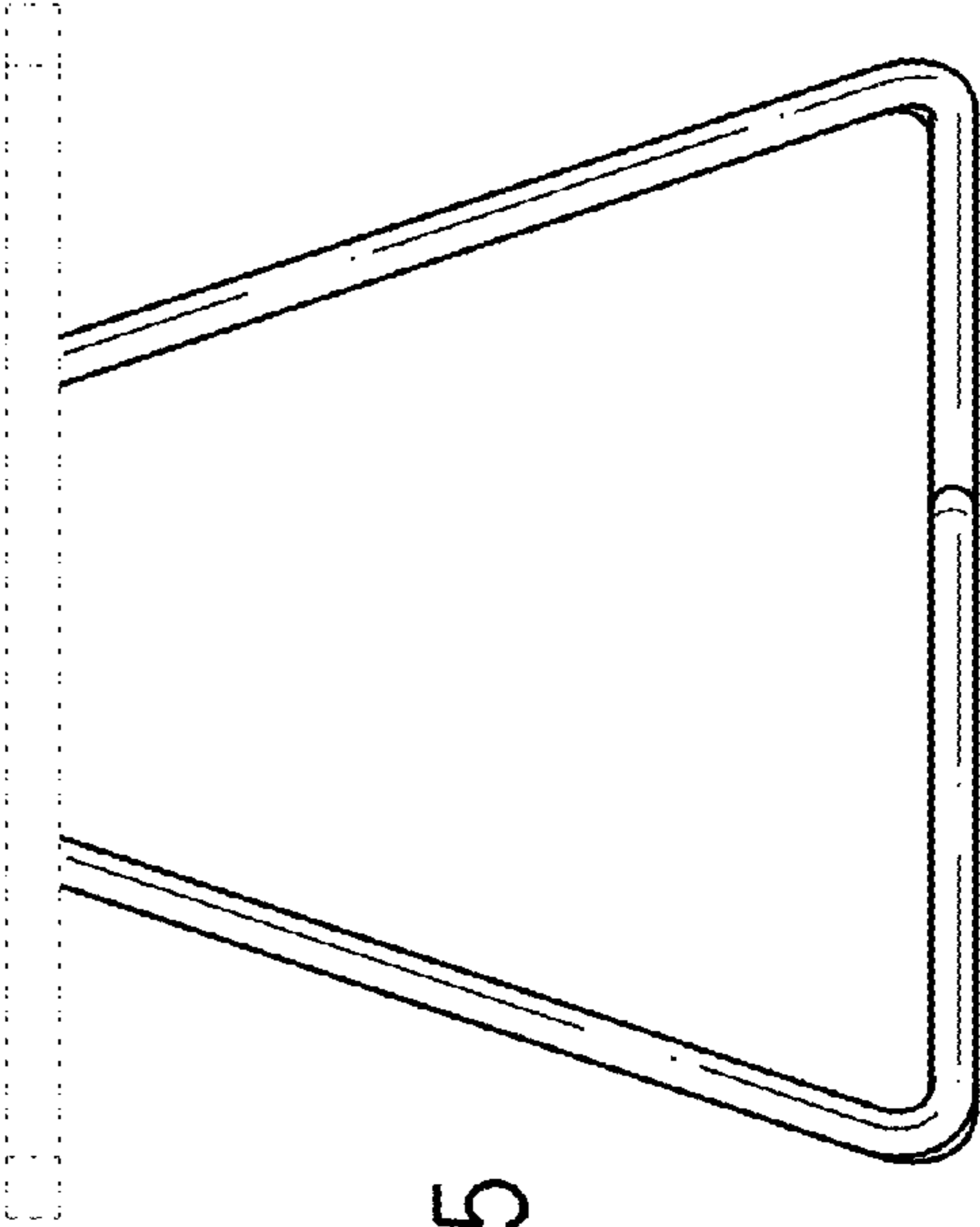


FIG. 15



FIG. 16

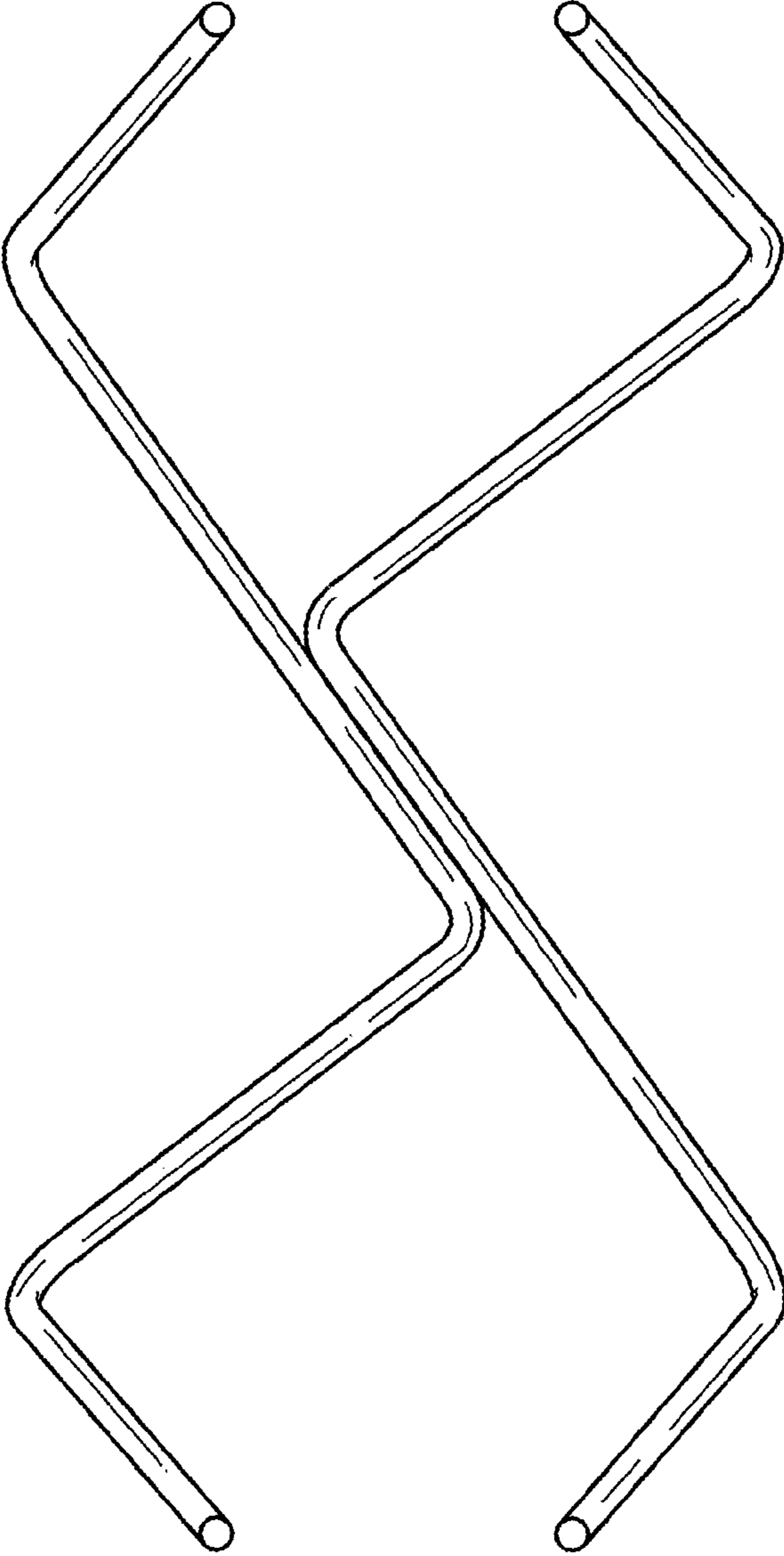


FIG. 17

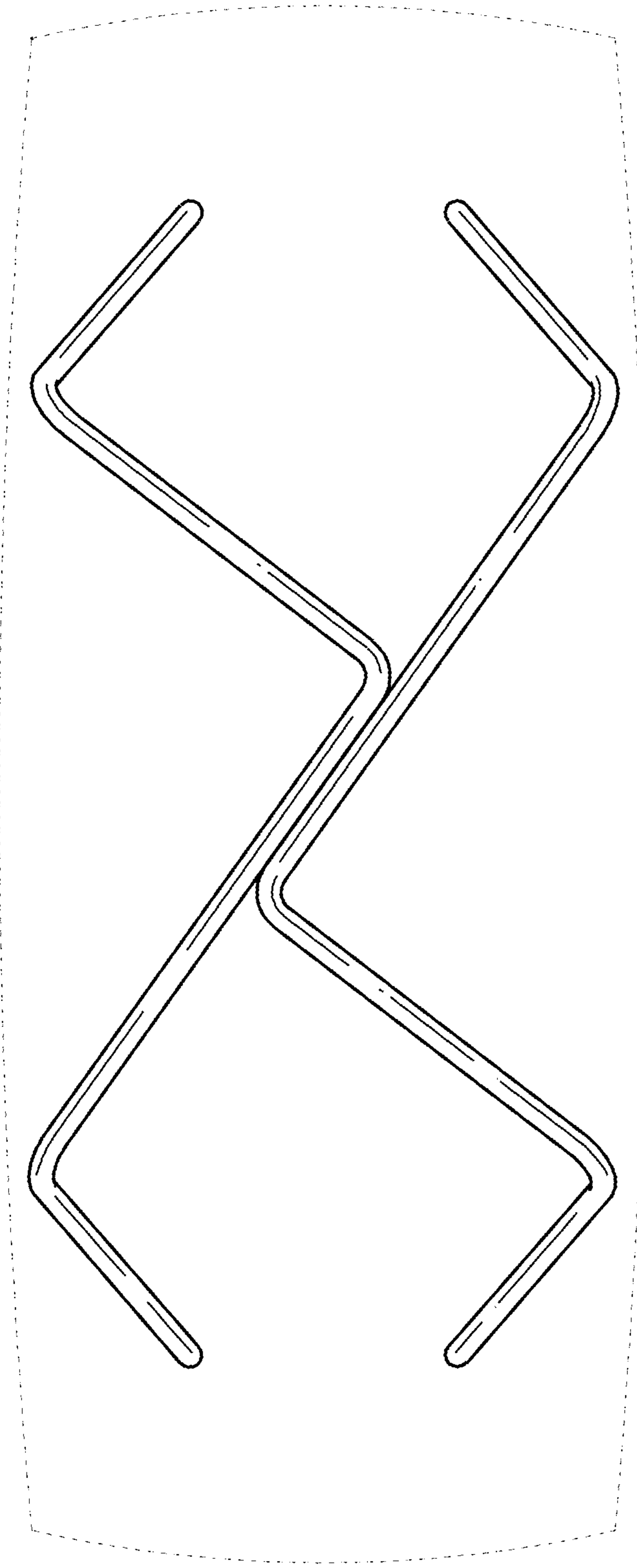


FIG. 18