



US00D720167S

(12) **United States Design Patent**
Jacob

(10) **Patent No.:** **US D720,167 S**

(45) **Date of Patent:** **** Dec. 30, 2014**

(54) **STORAGE DRAWER**

Primary Examiner — Ricky Pham

(71) Applicant: **Smart Storage Limited**, Delgany,
County Wicklow (IE)

(74) *Attorney, Agent, or Firm* — Raymond A. Nuzzo

(72) Inventor: **Paul Gerard Jacob**, Delgany (IE)

(57) **CLAIM**

(73) Assignee: **Smart Storage Limited**, Delgany,
County Wicklow (IE)

The ornamental design for a storage drawer, as shown and described.

(**) Term: **14 Years**

DESCRIPTION

(21) Appl. No.: **29/439,945**

(22) Filed: **Dec. 17, 2012**

(30) **Foreign Application Priority Data**

Jun. 18, 2012 (EM) 002059063-0001

Jun. 18, 2012 (EM) 002059063-0002

(51) **LOC (10) Cl.** **06-04**

(52) **U.S. Cl.**
USPC **D6/705**

(58) **Field of Classification Search**
USPC D6/384, 432-448, 631, 657-661, 662.1,
D6/663-664, 664.1, 668.2, 670-671,
D6/671.1, 671.2, 675.1-675.3, 681, 691.8,
D6/702-705.7; D19/75, 86, 90; D25/63;
5/93.1; 182/35, 35.5; 312/117, 119,
312/190, 235.1, 278

See application file for complete search history.

(56) **References Cited**

U.S. PATENT DOCUMENTS

676,157 A * 6/1901 Sparks 312/119
945,014 A * 1/1910 Boyer 312/190
1,361,451 A * 12/1920 Flannery, Jr. 312/117
2,563,436 A * 8/1951 Both 182/33.5
4,139,077 A * 2/1979 Pena, Jr. 182/35
4,285,558 A * 8/1981 Medford 312/278
4,937,902 A * 7/1990 Ceike Shapiro 5/93.1

(Continued)

FIG. 1 is a first perspective view of a storage drawer showing my new design, shown separately for ease and completeness of illustration;

FIG. 2 is a perspective view of the storage drawer of FIG. 1;

FIG. 3 is an end view of the storage drawer of FIG. 1;

FIG. 4 is an end view of the storage drawer of FIG. 1;

FIG. 5 is a front view of the storage drawer of FIG. 1;

FIG. 6 is a rear view of the storage drawer of FIG. 1;

FIG. 7 is a perspective view of a fully assembled storage drawer showing my new design in a closed state;

FIG. 8 is a perspective view of the storage drawer of FIG. 7 in a closed state;

FIG. 9 is a front view of the storage drawer of FIG. 7 in a closed state;

FIG. 10 is a perspective view of the storage drawer of FIG. 7 in an open state;

FIG. 11 is a perspective view of the storage drawer of FIG. 7 in an open state;

FIG. 12 is a top view of the storage drawer of FIG. 7 in a closed state;

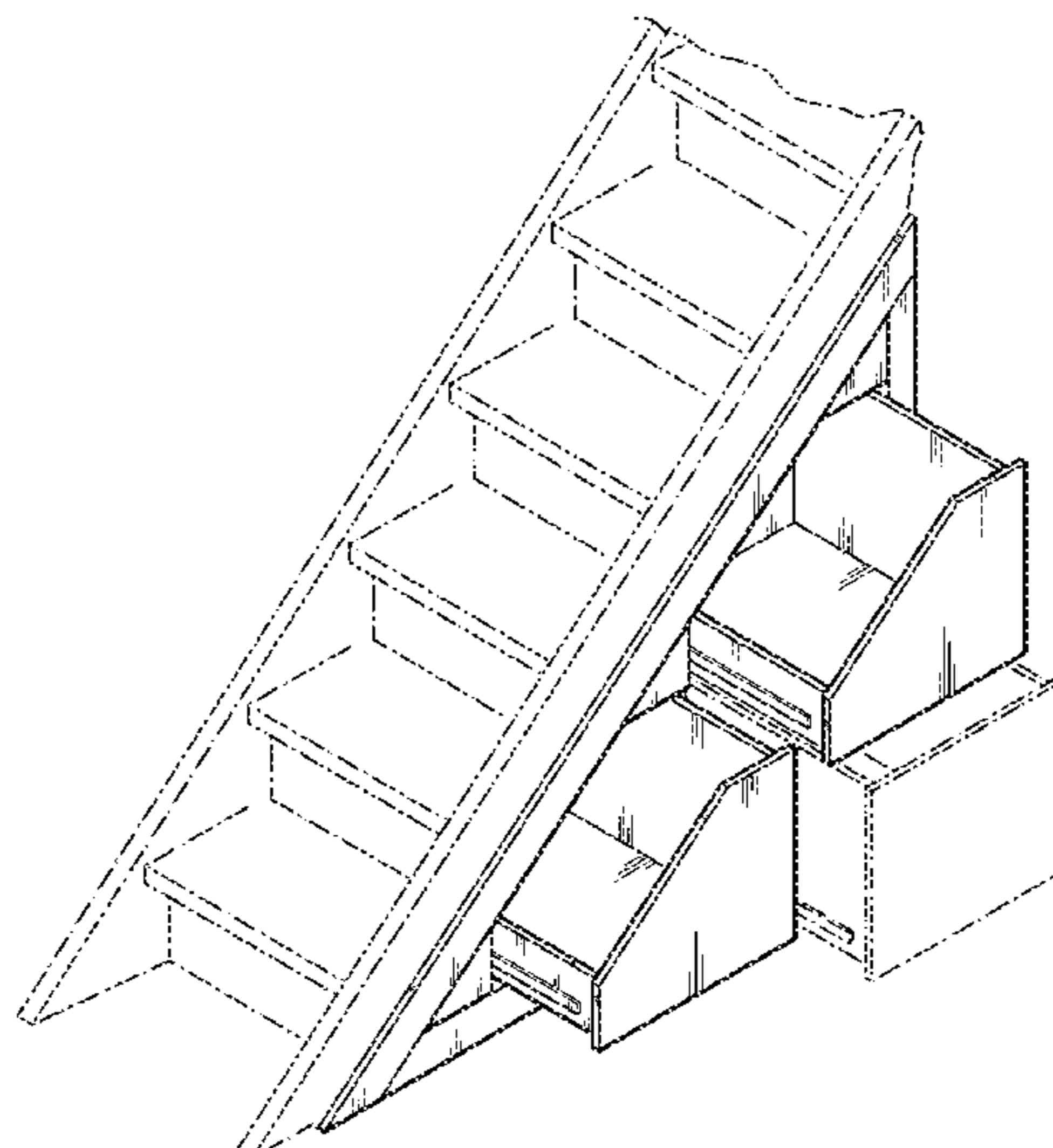
FIG. 13 is a top view of the storage drawer of FIG. 7 in a closed state;

FIG. 14 is a top view of the storage drawer of FIG. 7 in an open state; and,

FIG. 15 is a top view of the storage drawer of FIG. 7 in an open state.

The broken lines shown in the drawings are for illustrative purposes only and form no part of the claimed design.

1 Claim, 15 Drawing Sheets



US D720,167 S

Page 2

(56)

References Cited

U.S. PATENT DOCUMENTS

D346,708 S * 5/1994 Baer D6/384
5,352,031 A * 10/1994 Nahgang 312/235.1
D401,778 S * 12/1998 Frias D6/445

D404,214 S * 1/1999 Zaidman D6/384
D441,559 S * 5/2001 Walsh D6/384
D710,517 S * 8/2014 Rayle et al. D25/63

* cited by examiner

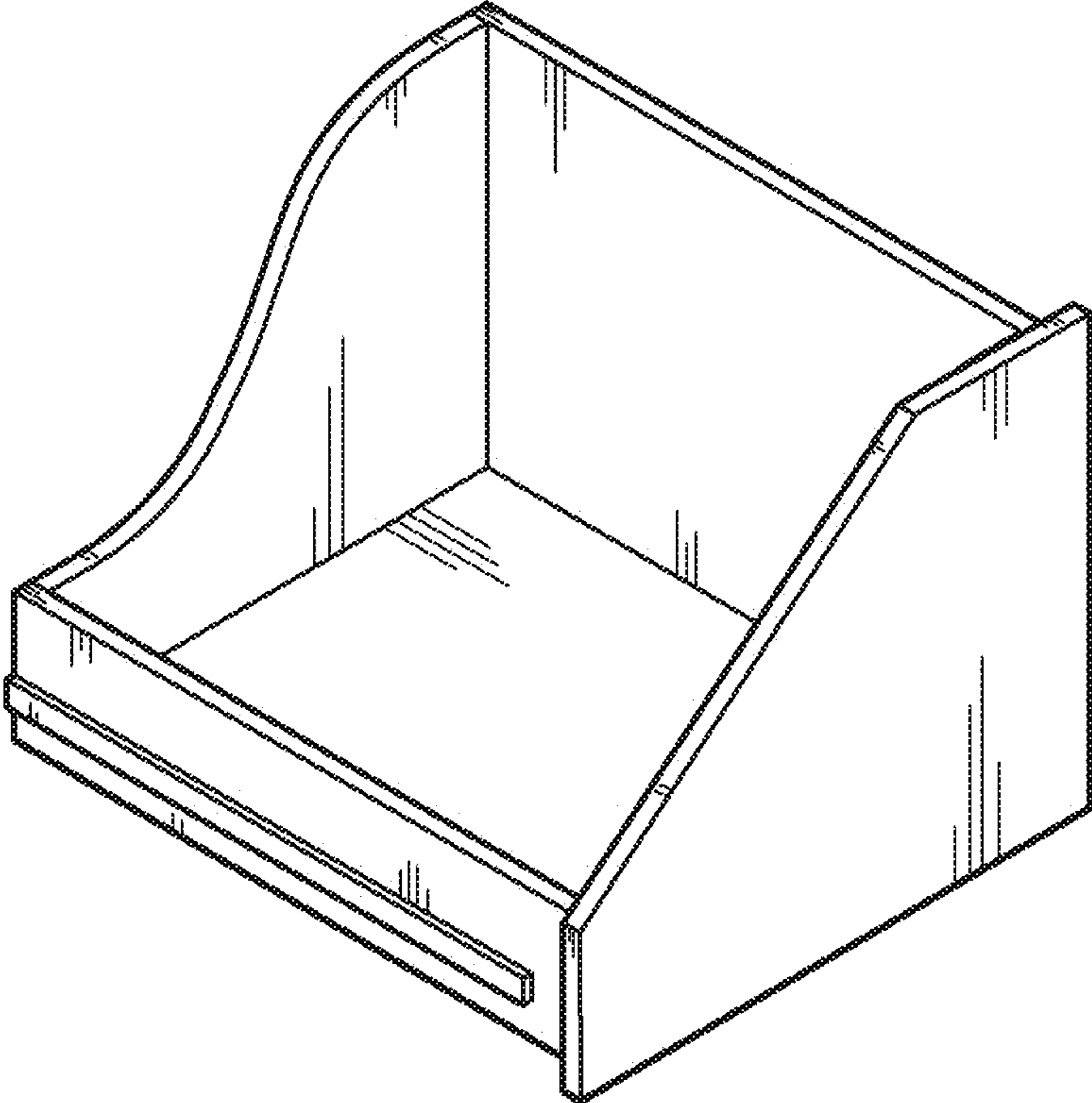


Figure 1

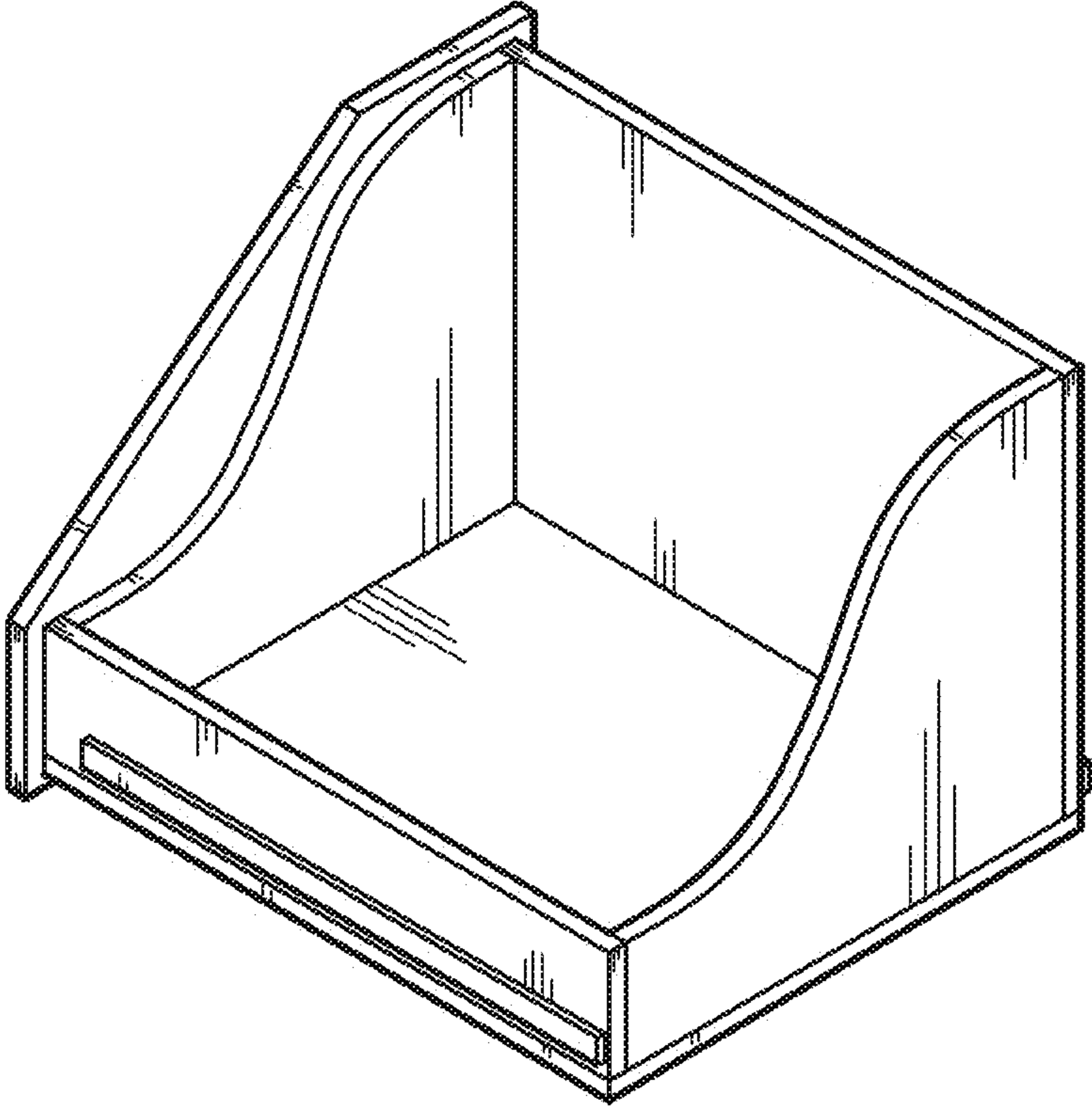


Figure 2

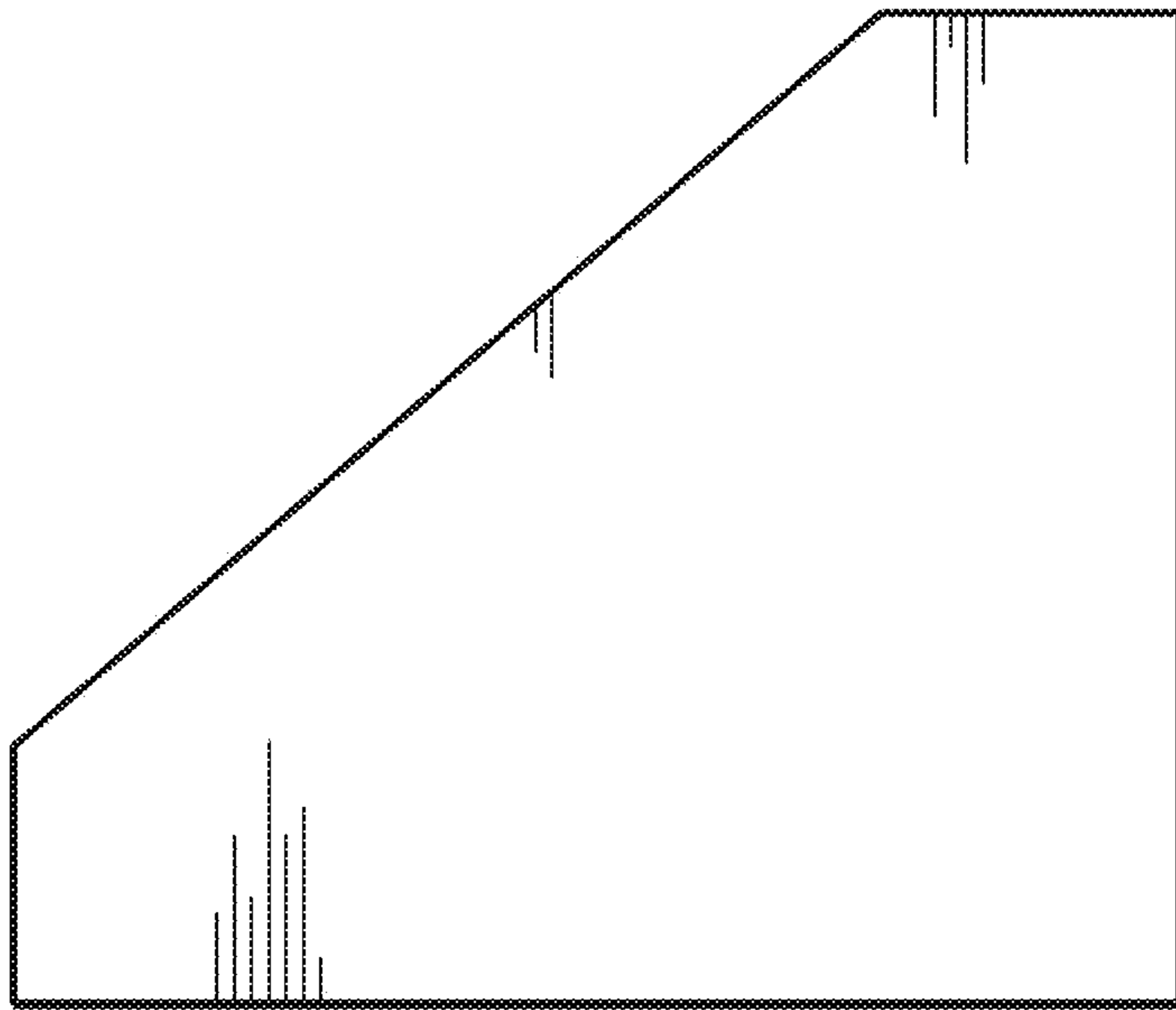


Figure 3

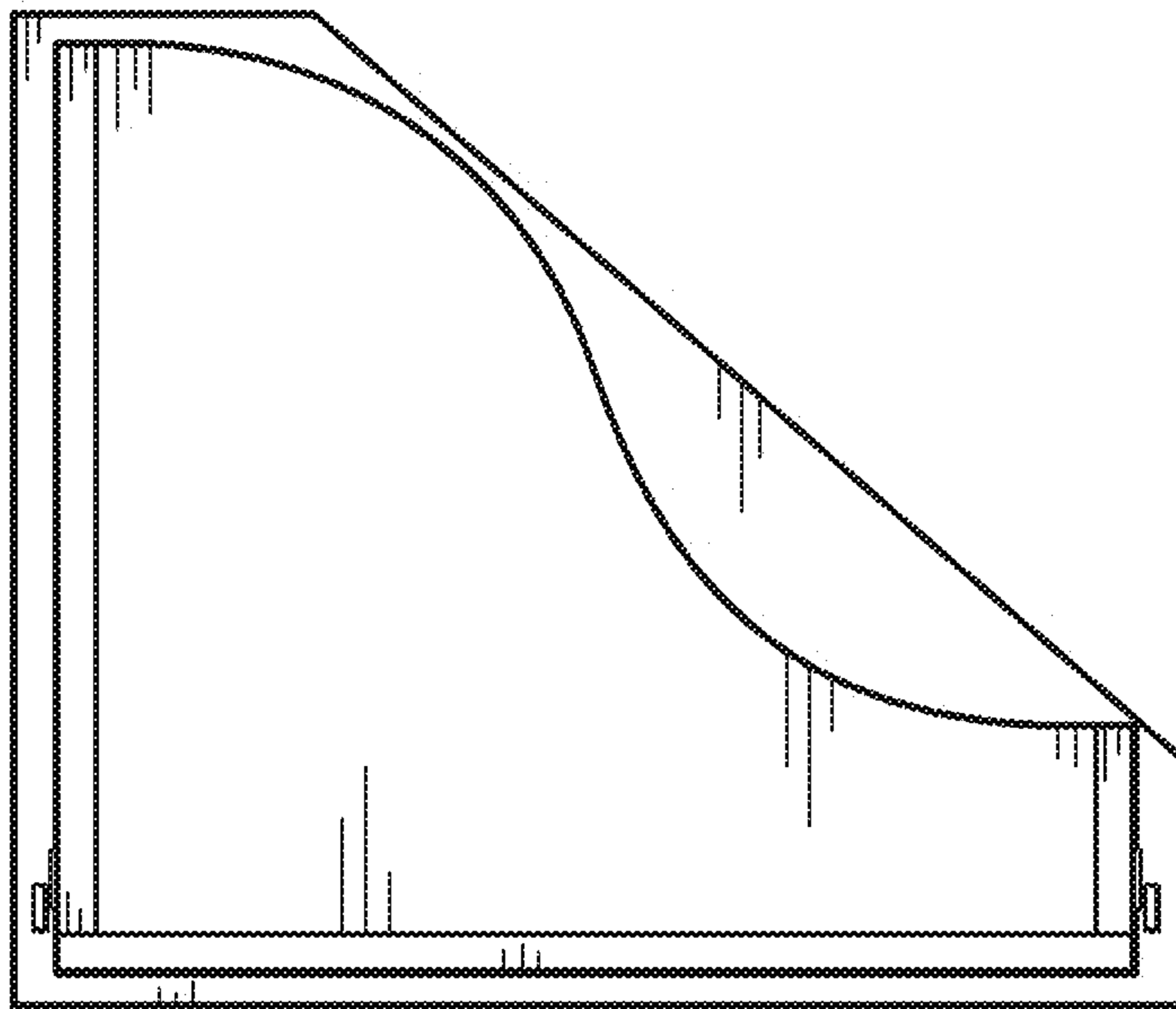


Figure 4

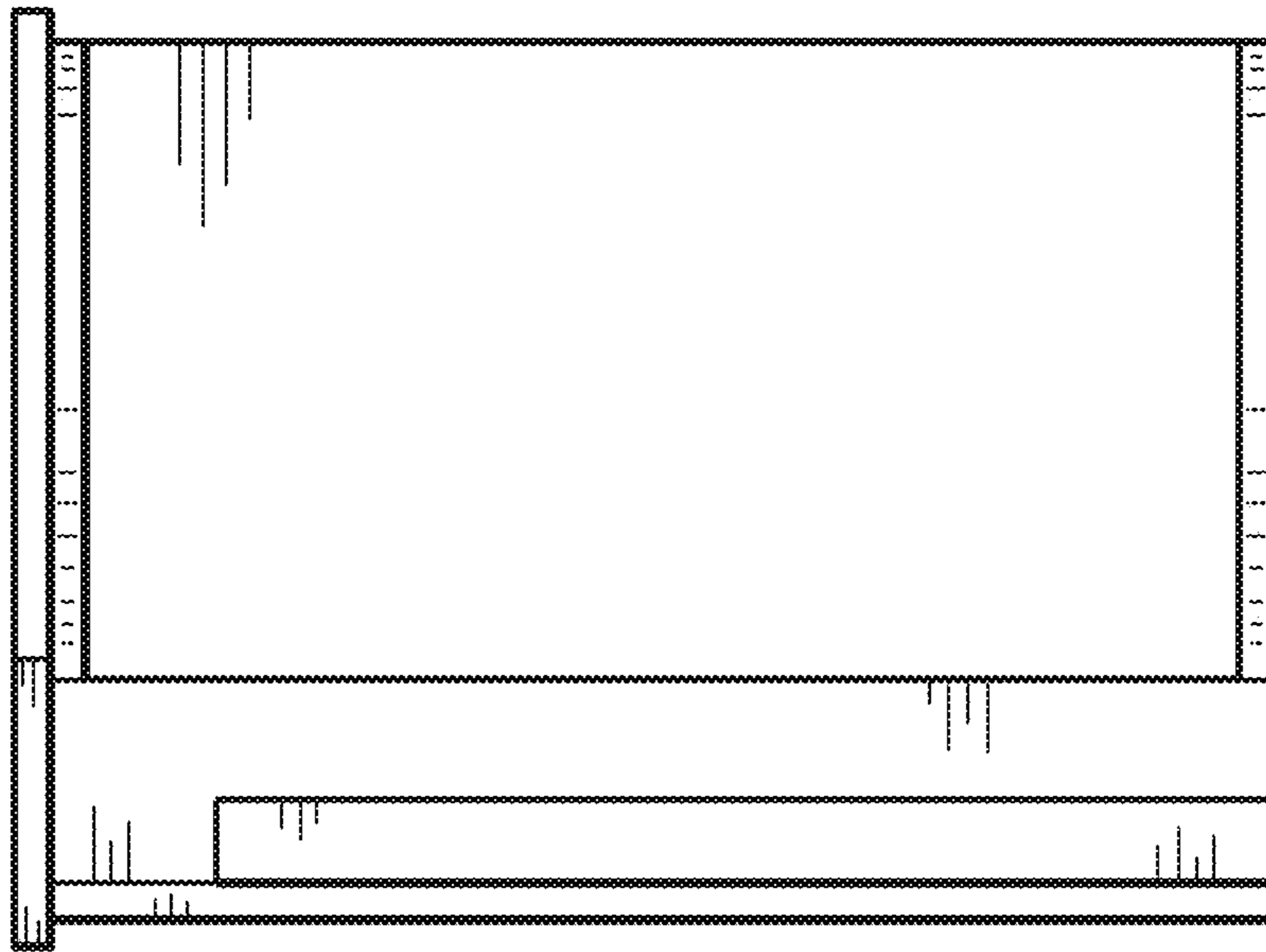


Figure 5

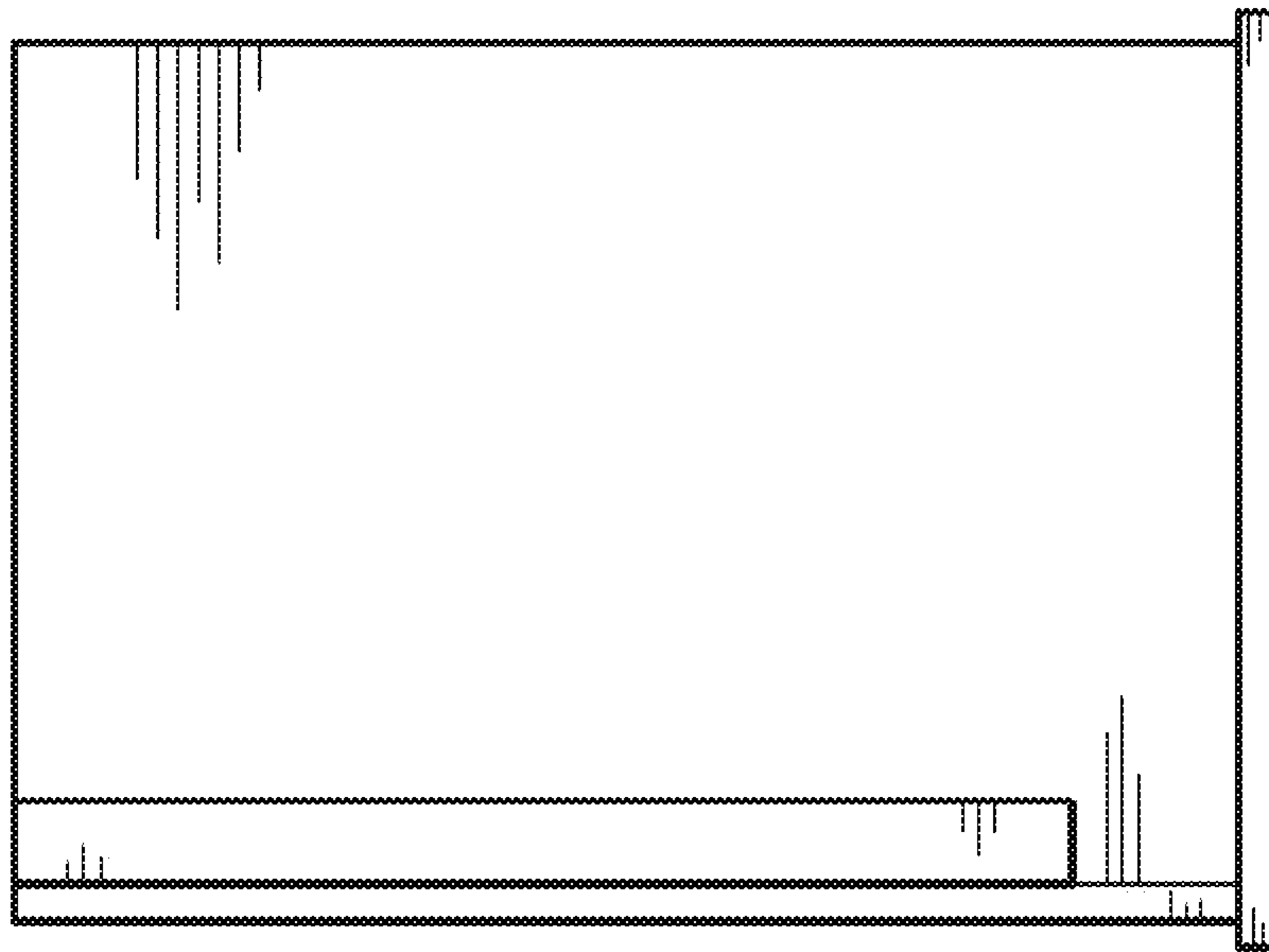


Figure 6

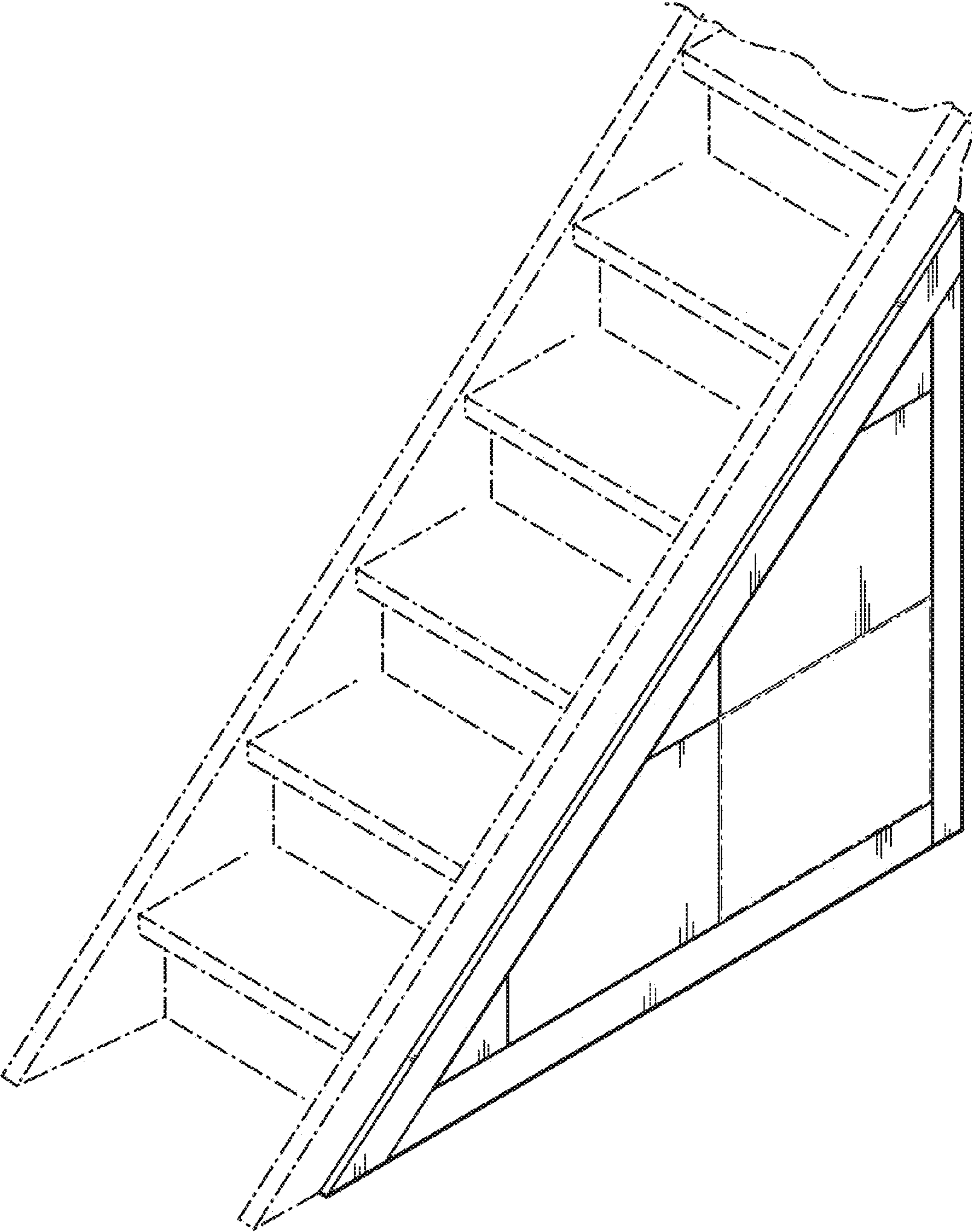


Figure 7

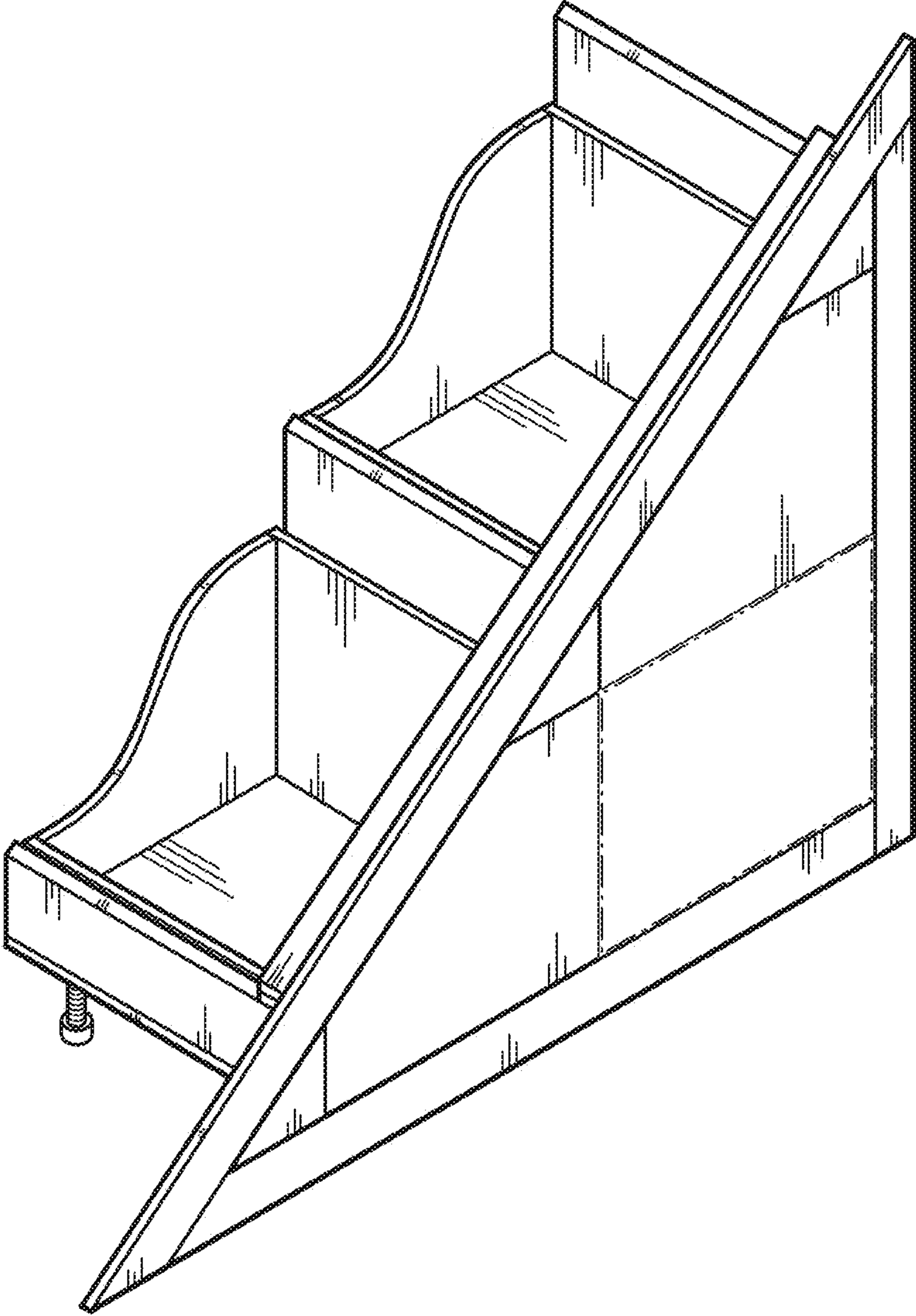


Figure 8

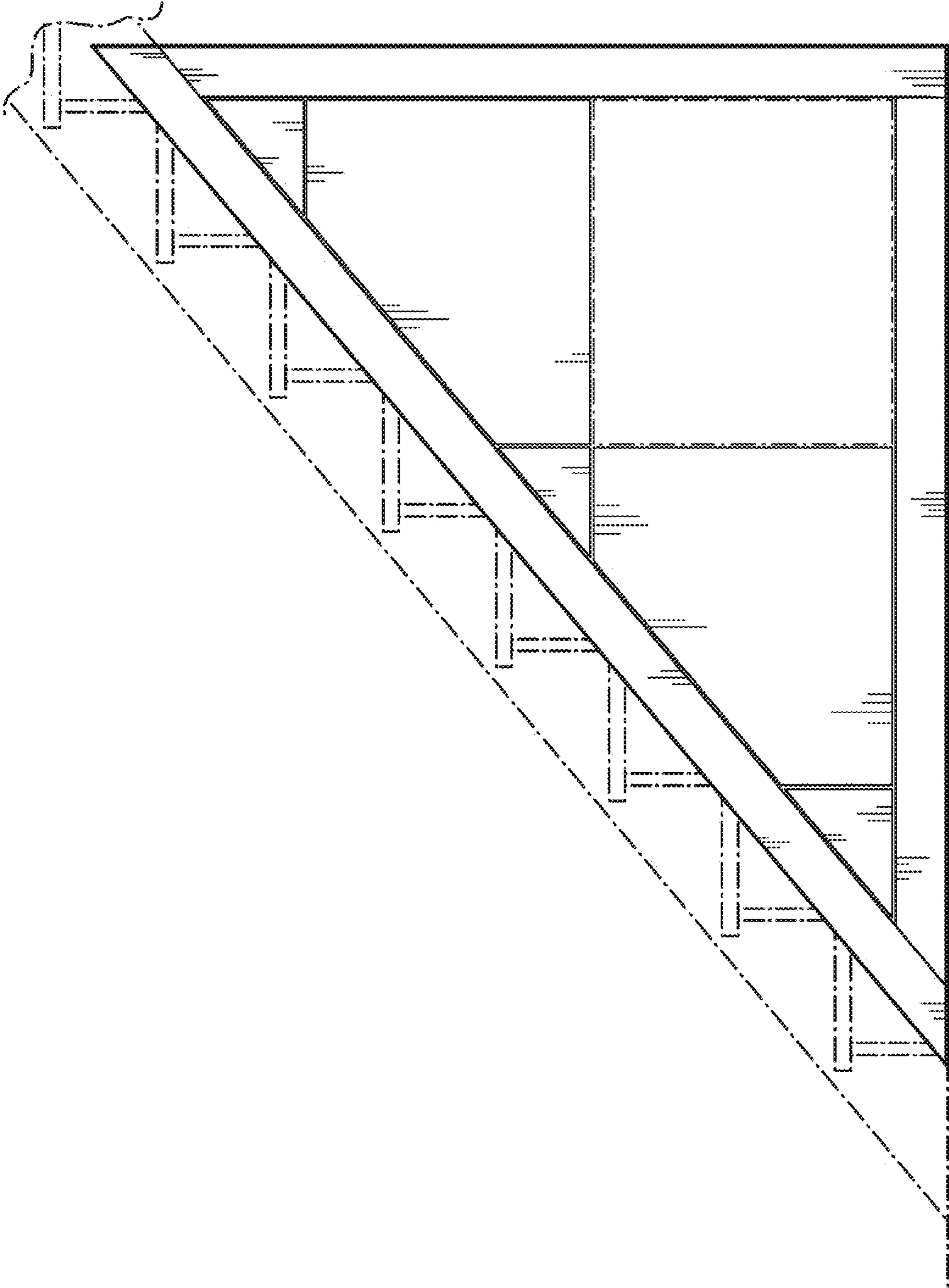


Figure 9

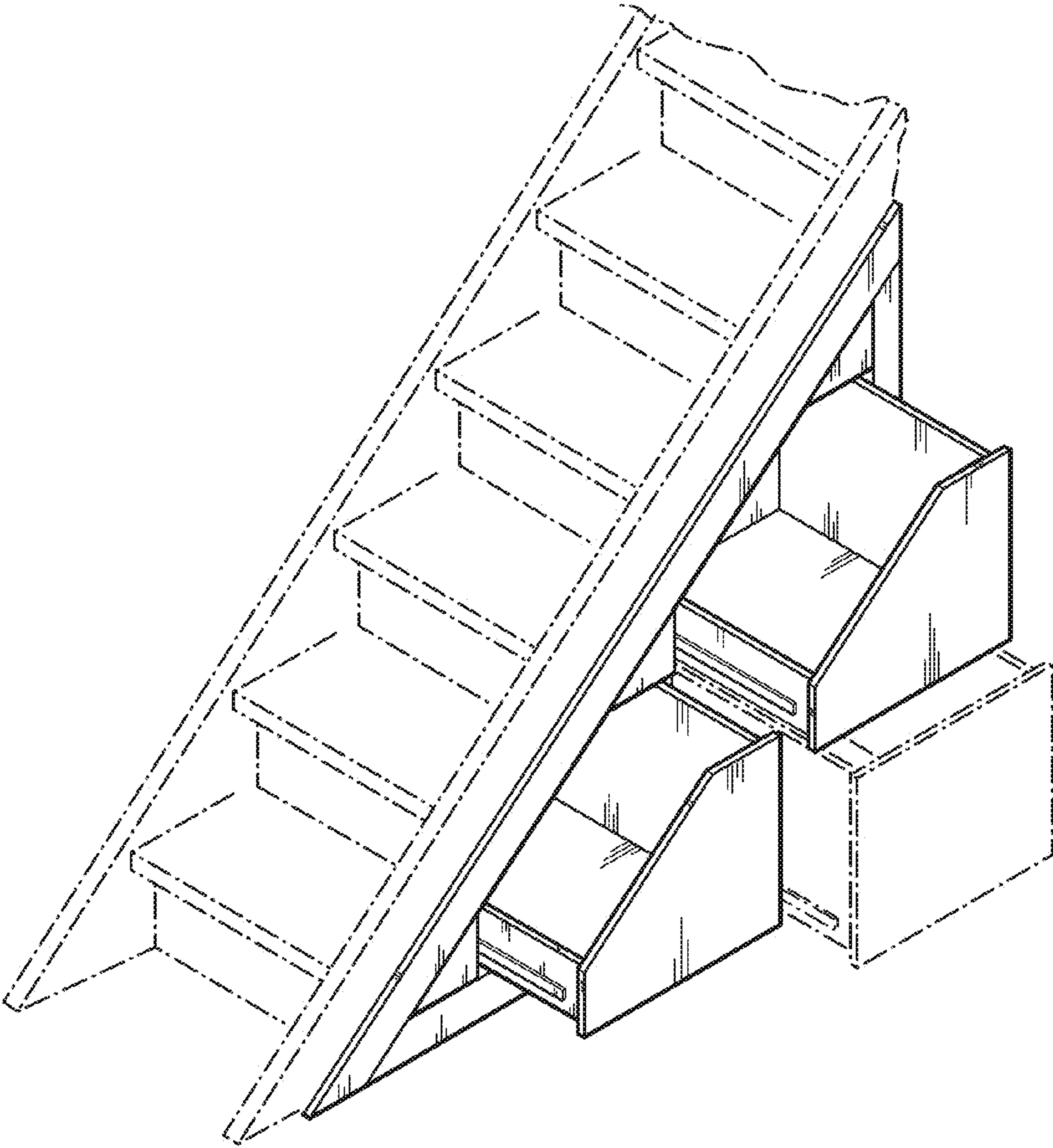


Figure 10

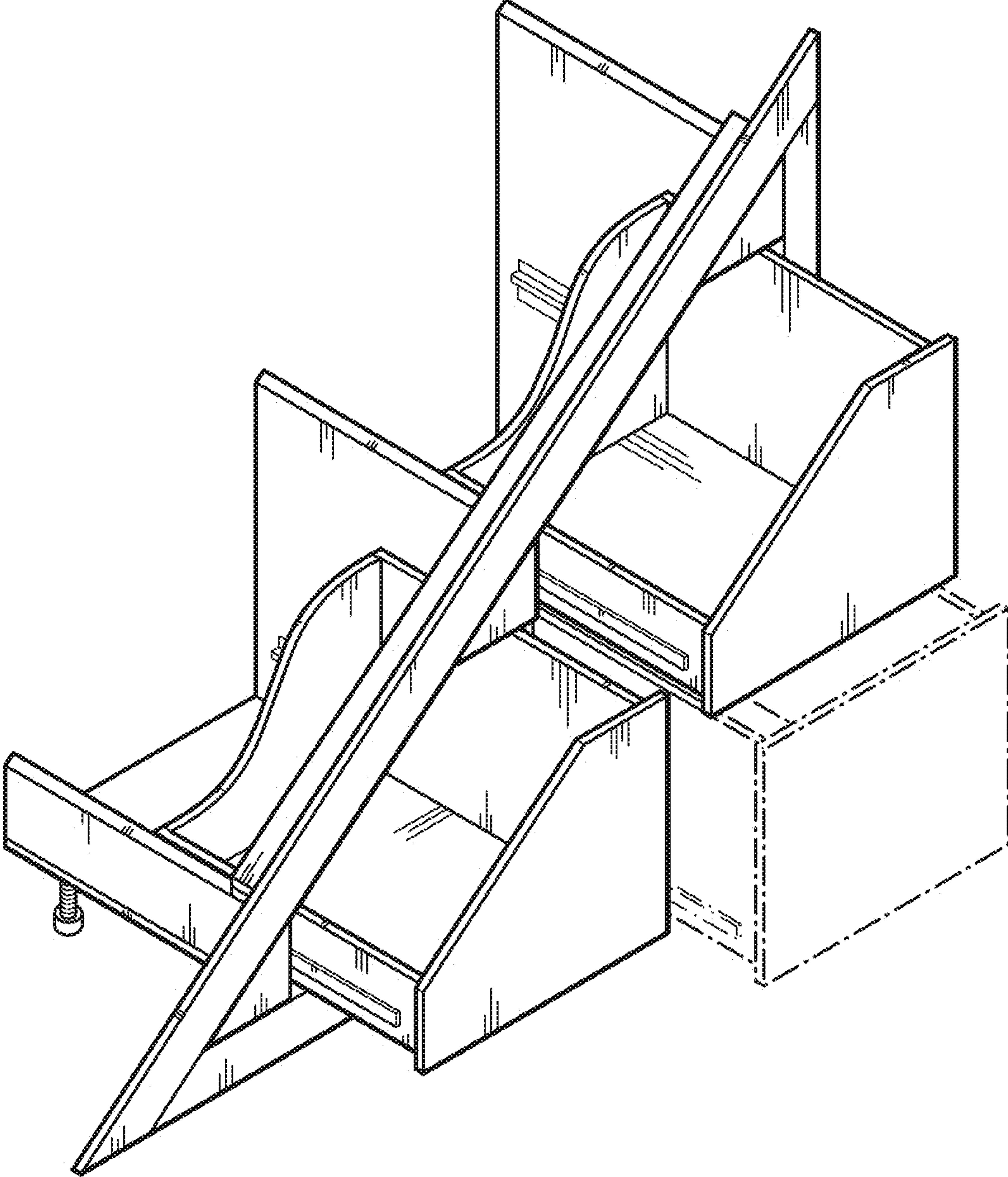


Figure 11

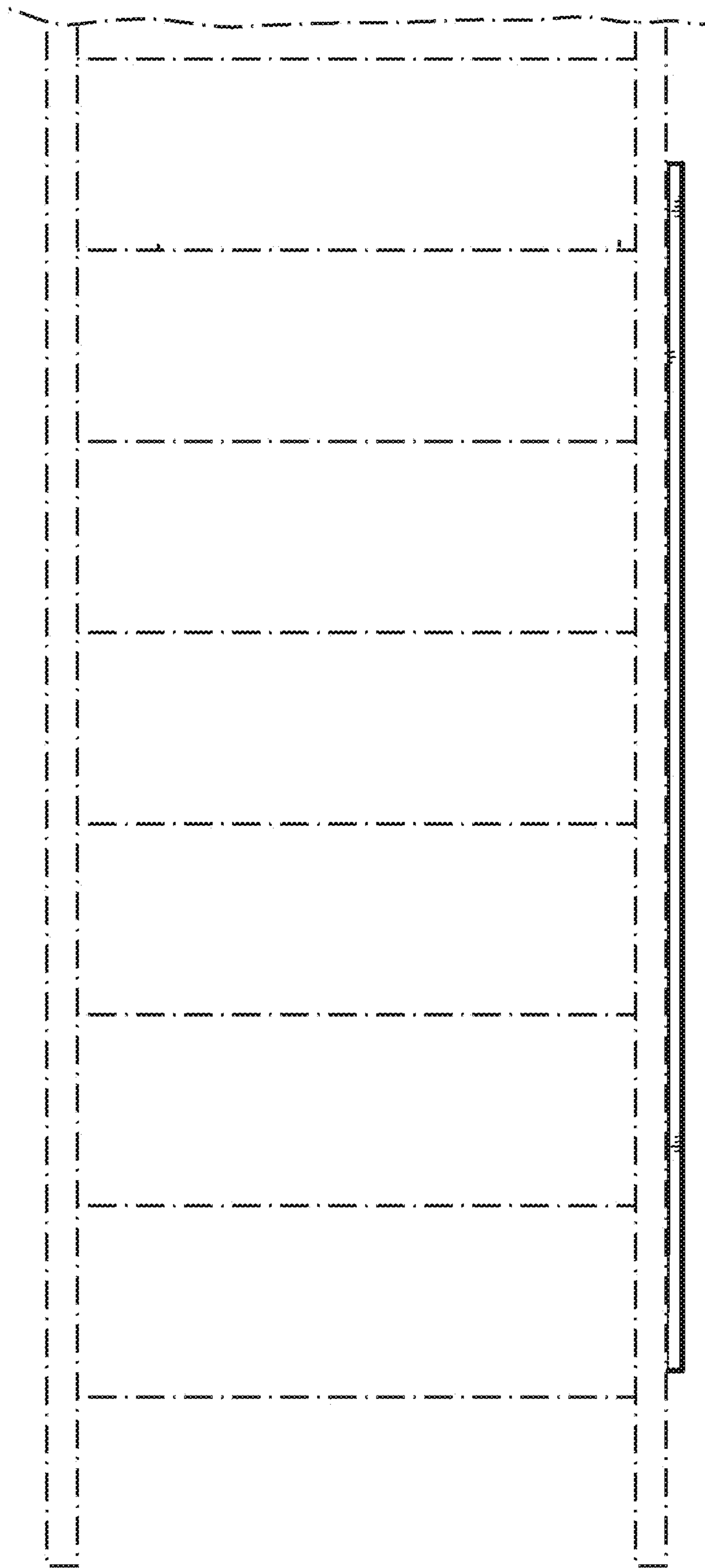


Figure 12

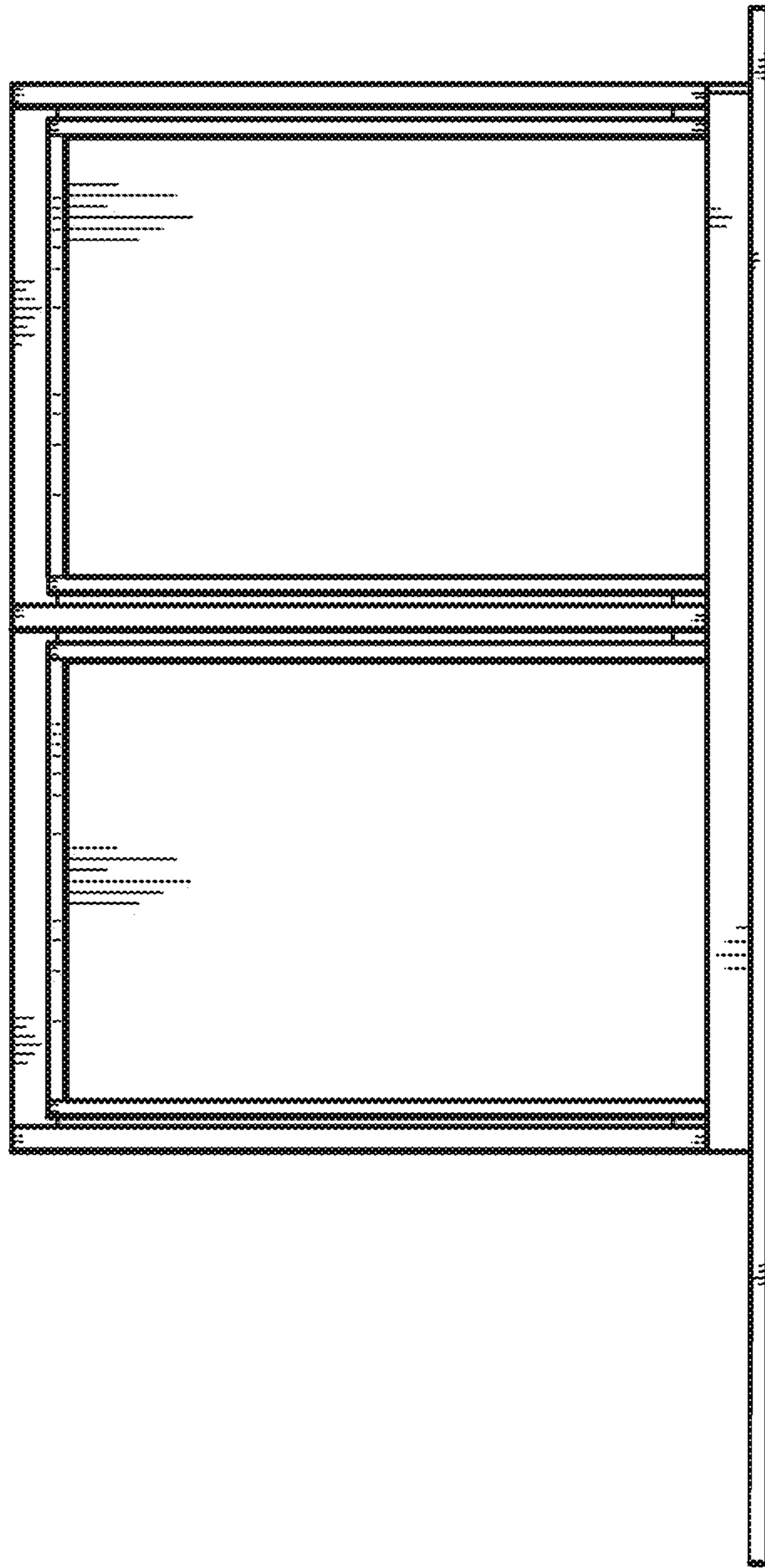


Figure 13

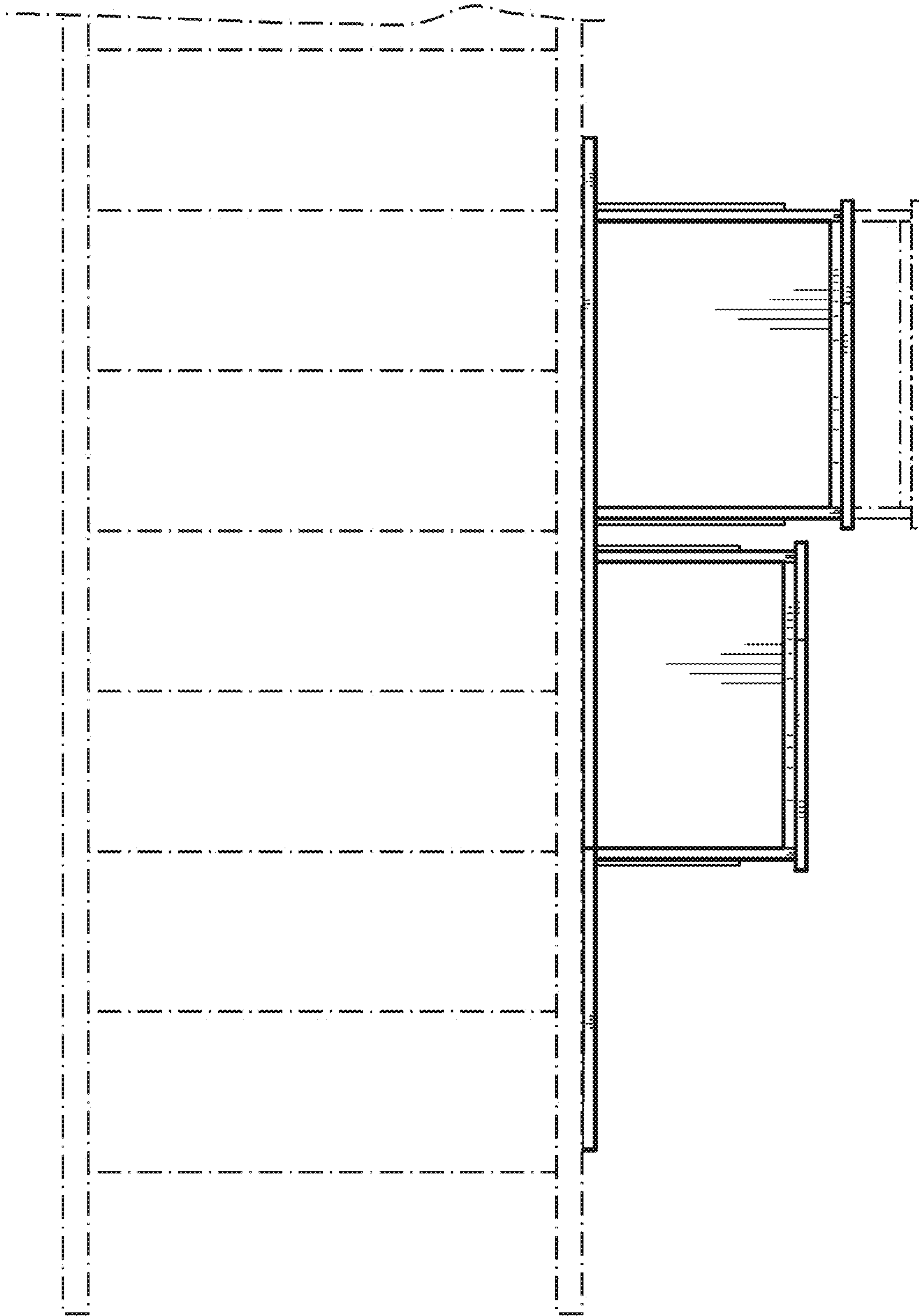


Figure 14

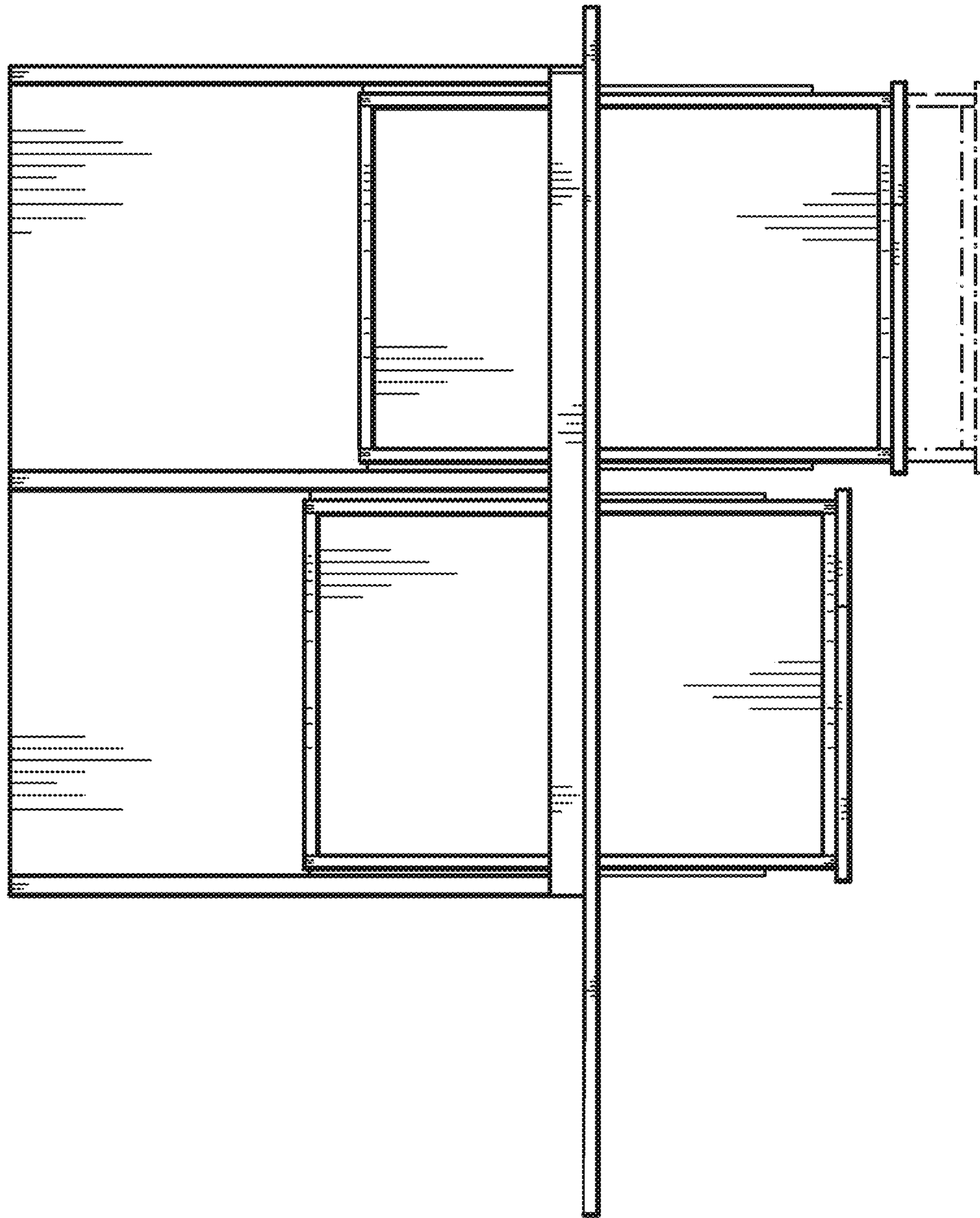


Figure 15