



US00D720165S

(12) **United States Design Patent**  
**Kincaid et al.**

(10) **Patent No.:** **US D720,165 S**  
(45) **Date of Patent:** **\*\* Dec. 30, 2014**

(54) **MOBILE DISPLAY DEVICE**

(75) Inventors: **Brett Kincaid**, Ada, MI (US); **Mark Spoelhof**, Grand Rapids, MI (US); **Hyun Yoo**, Grand Rapids, MI (US); **Steven Beukema**, Ada, MI (US)

(73) Assignee: **Steelcase Inc.**, Grand Rapids, MI (US)

(\*\*) Term: **14 Years**

(21) Appl. No.: **29/423,550**

(22) Filed: **Jun. 1, 2012**

(51) **LOC (10) Cl.** ..... **06-03**

(52) **U.S. Cl.**  
USPC ..... **D6/681.2; D6/682**

(58) **Field of Classification Search**  
USPC ..... D6/681.1, 681.2, 653.14, 707.15,  
D6/708.17; D34/12, 14, 17, 21, 27;  
312/209; 280/33.992, 47.35, 79.3;  
700/232; 320/109; 600/300; 361/679.6,  
361/679.41; D14/302, 303, 307; D24/164,  
D24/185, 186; 359/635

See application file for complete search history.

(56) **References Cited**

**U.S. PATENT DOCUMENTS**

D280,478 S 9/1985 Stephens  
4,541,343 A 9/1985 Erard

(Continued)

**FOREIGN PATENT DOCUMENTS**

EP 1786350 B1 10/2009

**OTHER PUBLICATIONS**

Uptime Height Adjustable Hospital Cart, announced Aug. 24, 2004, [online], [site visited Sep. 9, 2014]. Available from Internet,

<URL:http://www.uptime4u.com/v-web/gallery/v/carts\_and\_workstations/health\_care/hospital\_cart.jpg.html.\*

(Continued)

*Primary Examiner* — Cathron Brooks  
*Assistant Examiner* — Catherine Posthauer

(57) **CLAIM**

We claim the ornamental design for a mobile display device, as shown and described.

**DESCRIPTION**

FIG. 1 is a front perspective view of mobile display device, according to one embodiment;

FIG. 2 is a rear perspective view of a mobile display device of FIG. 1;

FIG. 3 is a front view of a mobile display device of FIG. 1;

FIG. 4 is a rear view of a mobile display device of FIG. 1;

FIG. 5 is a left side view of a mobile display device of FIG. 1, the right side view is a mirror image of the left side view of FIG. 5;

FIG. 6 is a top view of a mobile display device of FIG. 1;

FIG. 7 is a bottom view of a mobile display device of FIG. 1;

FIG. 8 is a front perspective view of mobile display device, according to a second embodiment;

FIG. 9 is a rear perspective view of a mobile display device of FIG. 8;

FIG. 10 is a front view of a mobile display device of FIG. 8;

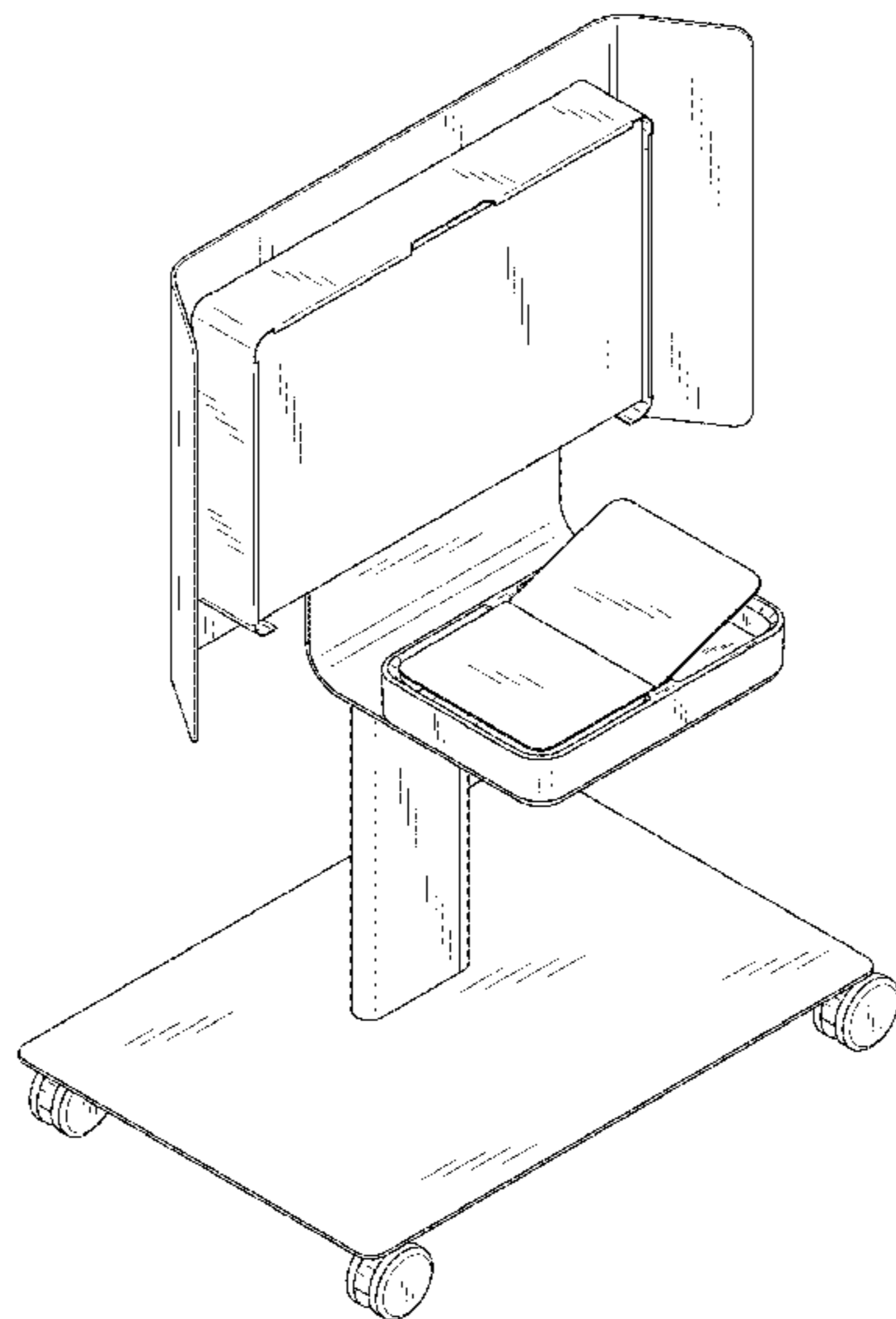
FIG. 11 is a rear view of a mobile display device of FIG. 8;

FIG. 12 is a left side view of a mobile display device of FIG. 8, the right side view is a mirror image of the left side view of FIG. 12;

FIG. 13 is a top view of a mobile display device of FIG. 8; and,

FIG. 14 is a bottom view of a mobile display device of FIG. 8. The mobile display device is shown with a symbolic break in its height. The appearance of any portion of the article between the break lines forms no part of the claimed design.

**1 Claim, 12 Drawing Sheets**



(56)

References Cited

U.S. PATENT DOCUMENTS

D301,414 S 6/1989 Maltese  
 D316,723 S 5/1991 Ng et al.  
 5,141,211 A 8/1992 Adams, Jr.  
 D344,420 S 2/1994 Rodriguez  
 D346,251 S \* 4/1994 Morooka ..... D34/17  
 D378,635 S \* 4/1997 Studer et al. .... D6/429  
 D393,382 S 4/1998 Rutter et al.  
 5,806,943 A 9/1998 Dell et al.  
 5,868,079 A 2/1999 Charny  
 5,918,841 A 7/1999 Sweere et al.  
 6,142,459 A 11/2000 Garrett  
 6,158,357 A 12/2000 Shih  
 6,298,794 B1 10/2001 Brown et al.  
 6,394,402 B2 5/2002 Coonan et al.  
 D459,477 S 6/2002 Stocks et al.  
 D459,610 S 7/2002 Coonan et al.  
 6,493,220 B1 \* 12/2002 Clark et al. .... 361/679.41  
 D486,915 S 2/2004 Warschewske et al.  
 D492,856 S \* 7/2004 Rossini et al. .... D6/426  
 D493,977 S \* 8/2004 Rossini et al. .... D6/426  
 6,883,439 B1 4/2005 Moore  
 D518,267 S 3/2006 Arceta  
 D535,509 S 1/2007 Rossini et al.  
 D539,794 S 4/2007 Rossini et al.  
 D549,921 S 8/2007 Reckelhoff  
 7,261,261 B2 8/2007 Ligertwood  
 D553,324 S 10/2007 Lieblein

7,401,796 B1 7/2008 Greco  
 7,612,999 B2 \* 11/2009 Clark et al. .... 361/679.4  
 7,621,544 B2 11/2009 Rossini  
 7,640,866 B1 1/2010 Schermerhorn  
 D613,866 S 4/2010 Tanaka et al.  
 D632,797 S \* 2/2011 Ross et al. .... D24/185  
 D642,183 S \* 7/2011 Chinuki et al. .... D14/451  
 7,990,691 B2 \* 8/2011 Clark et al. .... 361/679.01  
 D650,142 S \* 12/2011 McRorie ..... D34/14  
 8,180,485 B2 5/2012 Reckelhoff  
 8,677,911 B2 \* 3/2014 McRorie ..... 108/50.02  
 2007/0001413 A1 \* 1/2007 Rossini ..... 280/47.35  
 2009/0212670 A1 8/2009 Bustle et al.  
 2011/0025007 A1 2/2011 Butler et al.

OTHER PUBLICATIONS

Uptime Workstation-Radiology Desk, announced Oct. 11, 2011, [online], [site visited Sep. 9, 2014]. Available from Internet, <URL:http://www.uptime4u.com/v-web/gallery/v/carts\_and\_workstations/health\_care/workstation-radiology-desks.jpg.html.\*  
 Hergo Media Cart, announced Nov. 13, 2008, [online], [site visited Sep. 9, 2014]. Available from Internet, <URL:http://www.hergo.com/Hergo\_Image\_Gallery.asp.\*  
 H. System and Mobile Elements Brochure. Downloaded on Jun. 27, 2012, from http://www.steelcase.co.uk/en/products/category/meeting/tools/h-system/documents/h.system\_elements%20mobiles\_en\_a3.pdf (10 pages).

\* cited by examiner

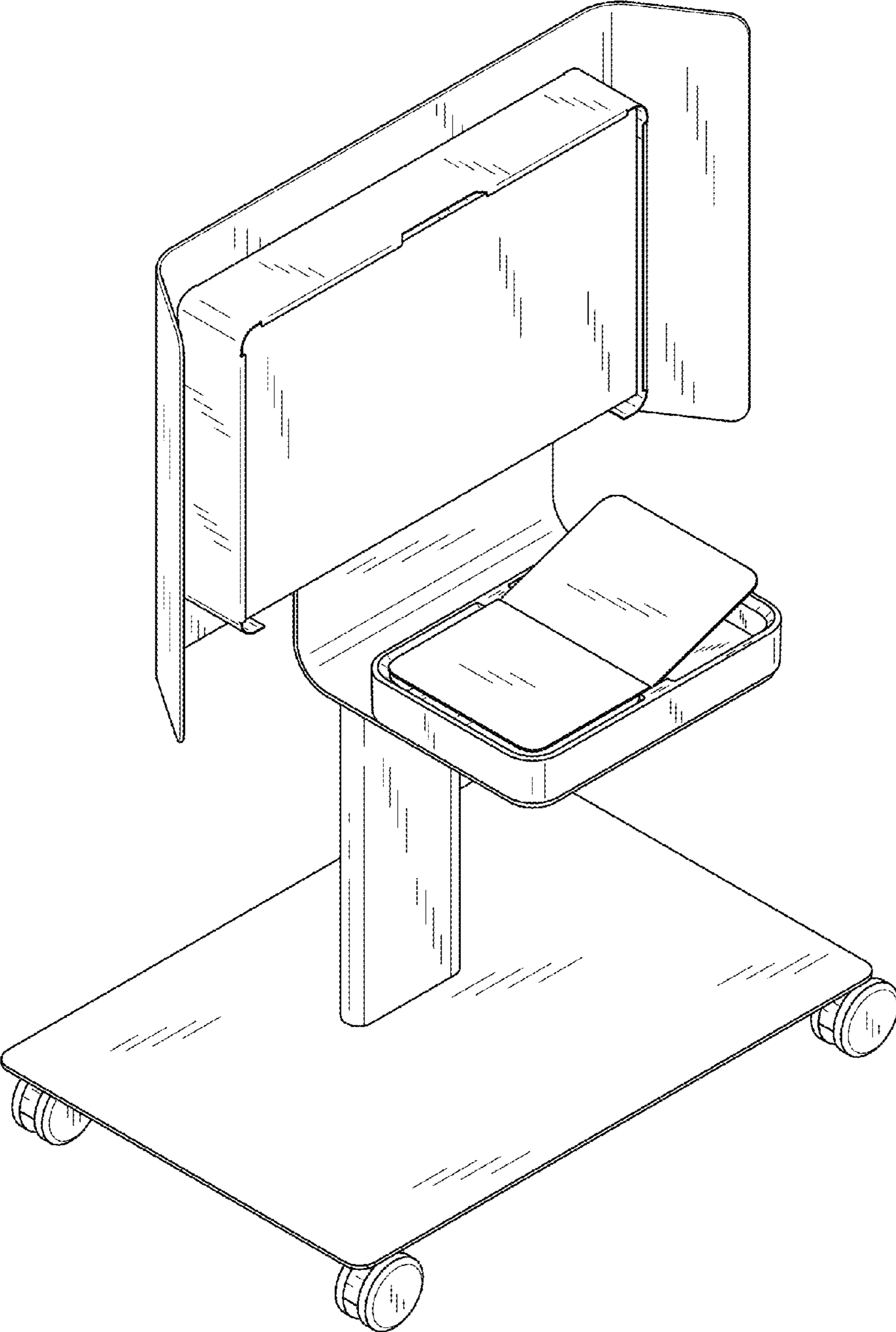


FIG. 1

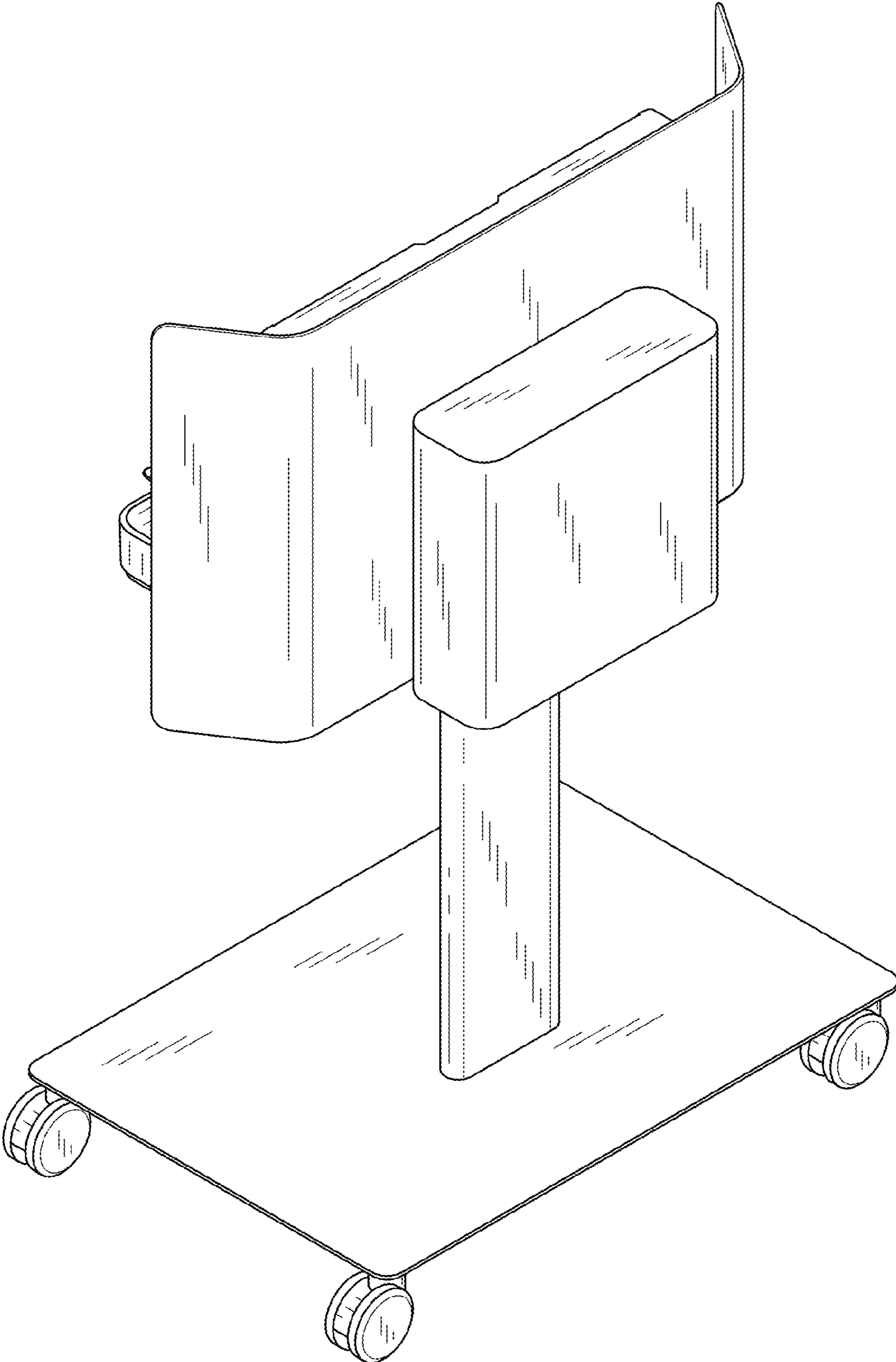


FIG. 2

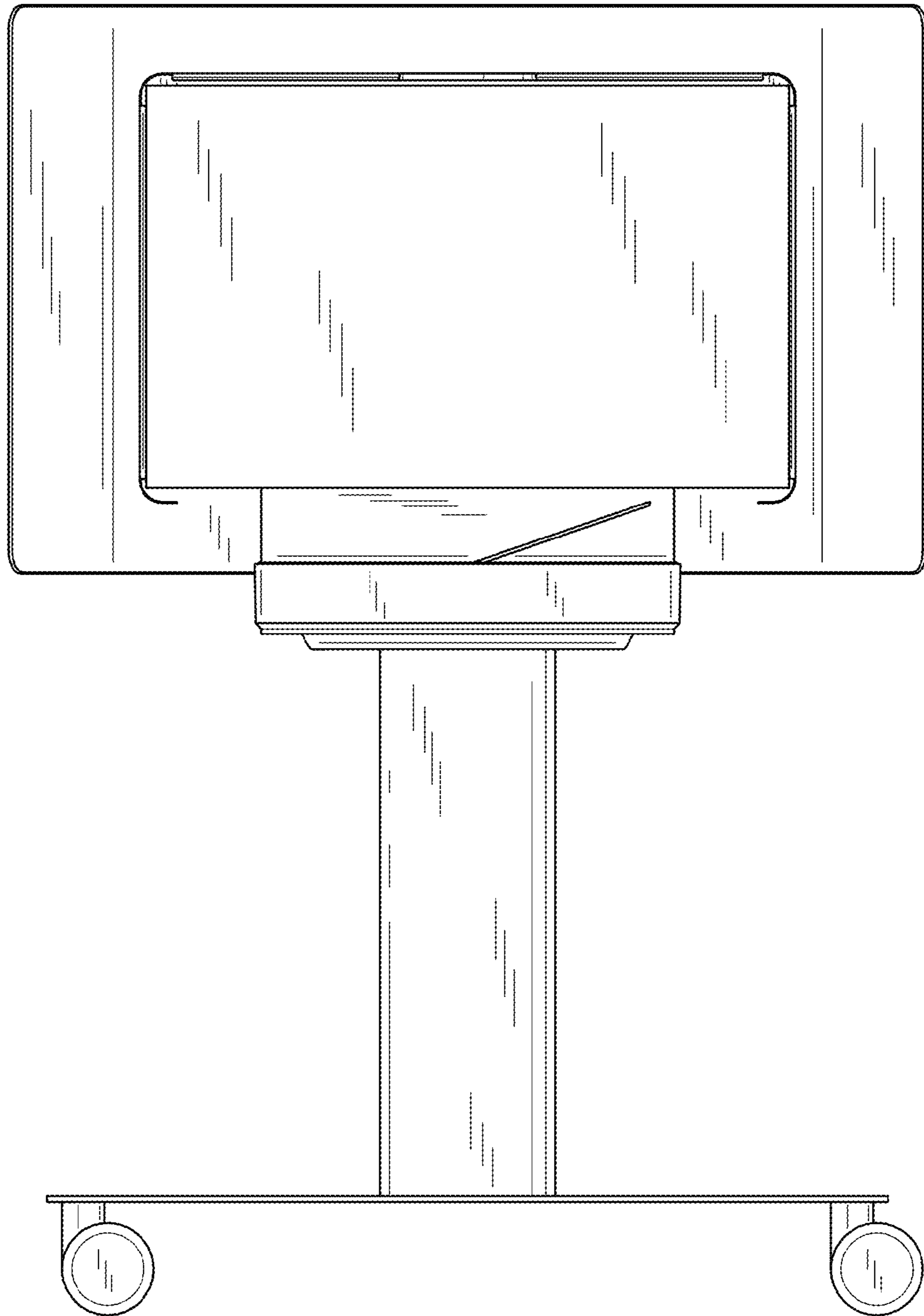


FIG. 3

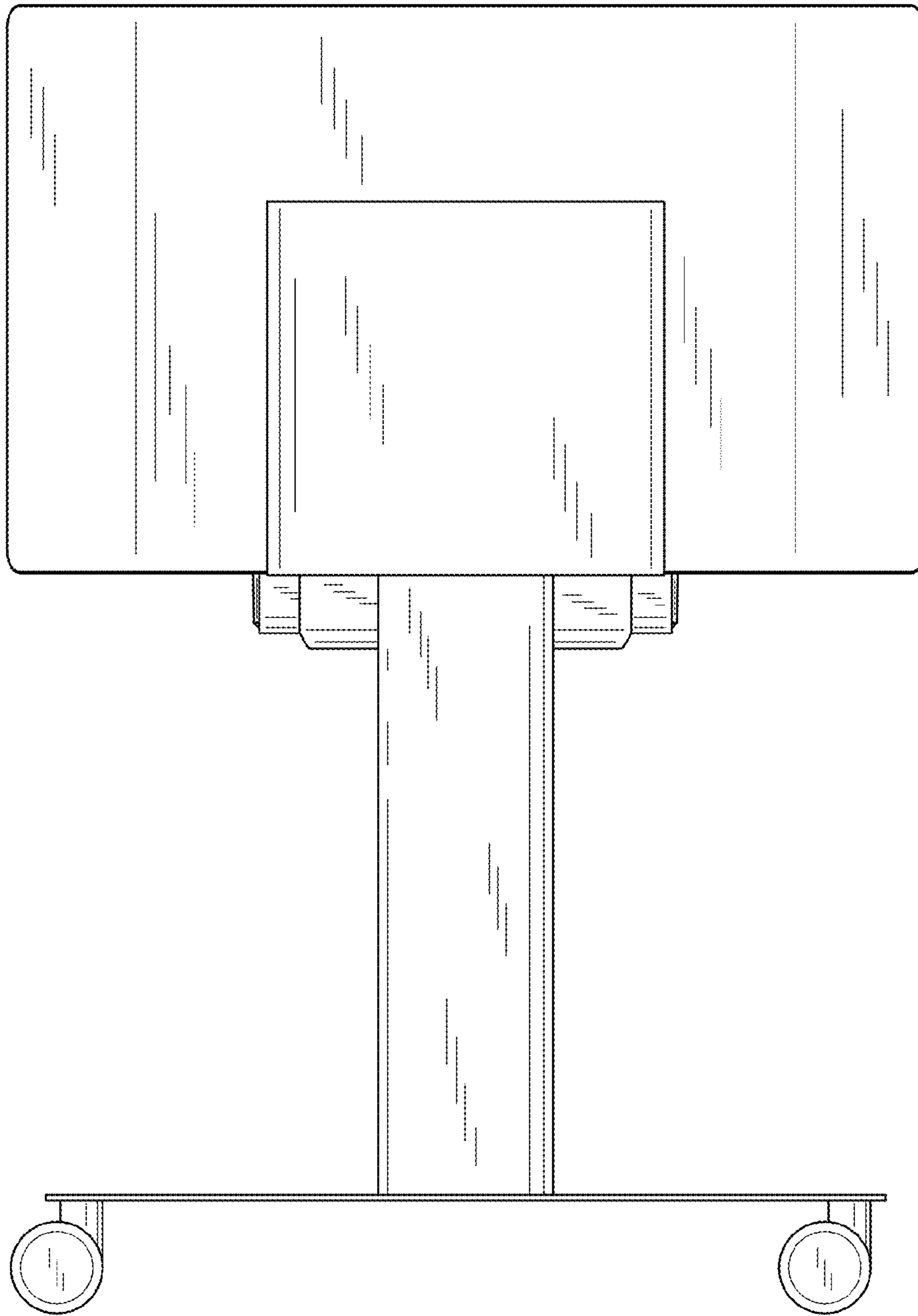


FIG. 4

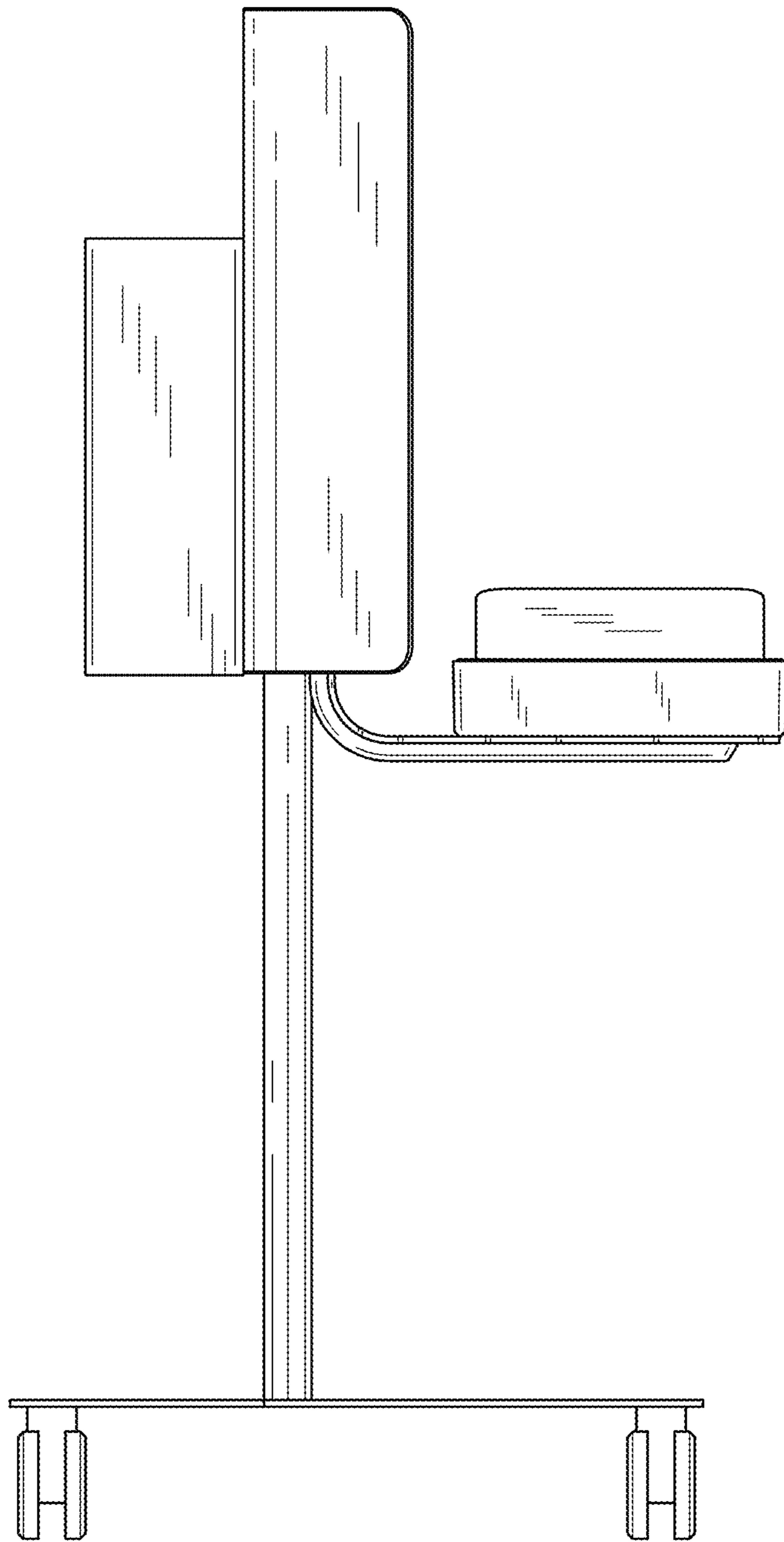


FIG. 5

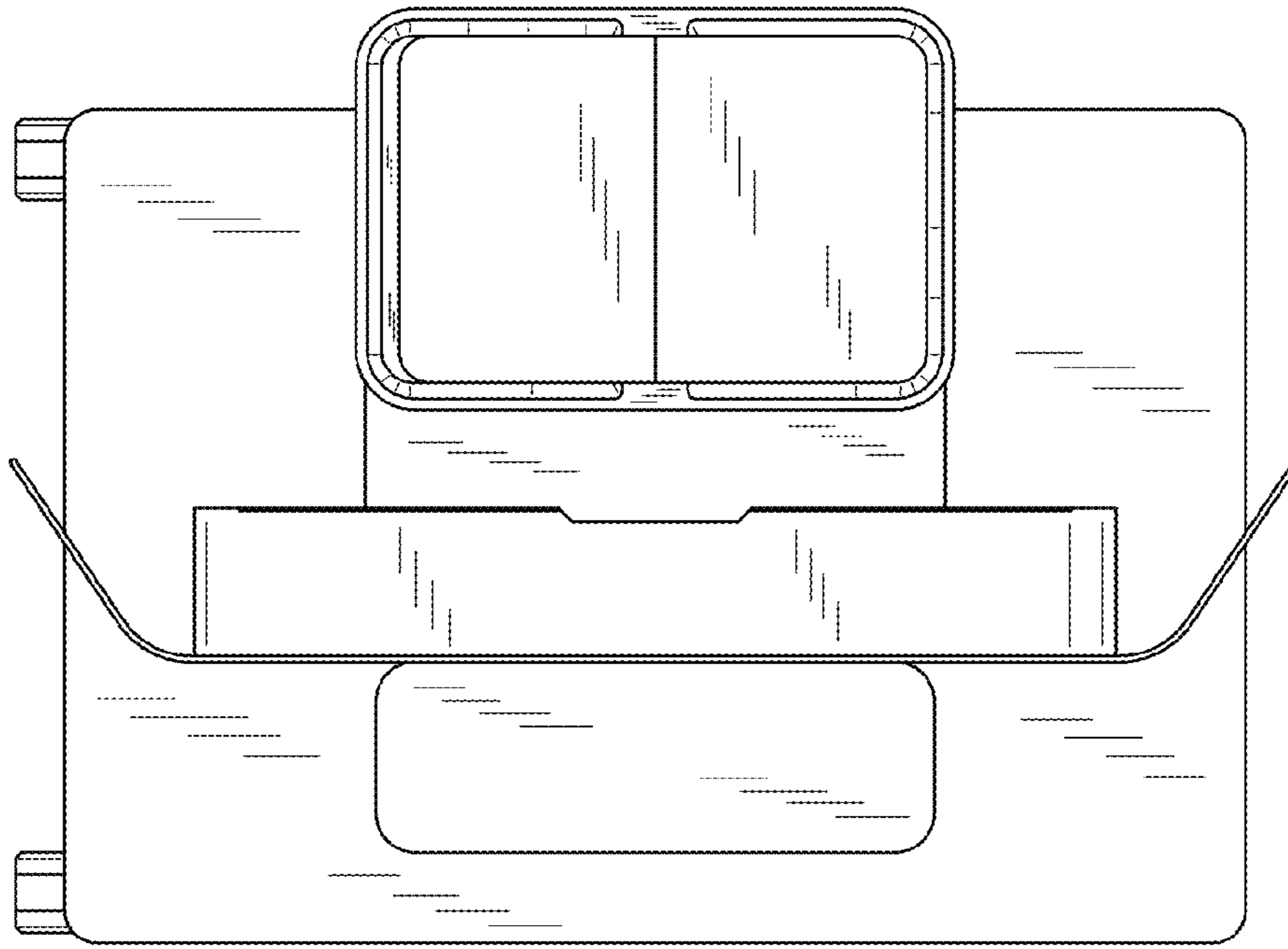


FIG. 6

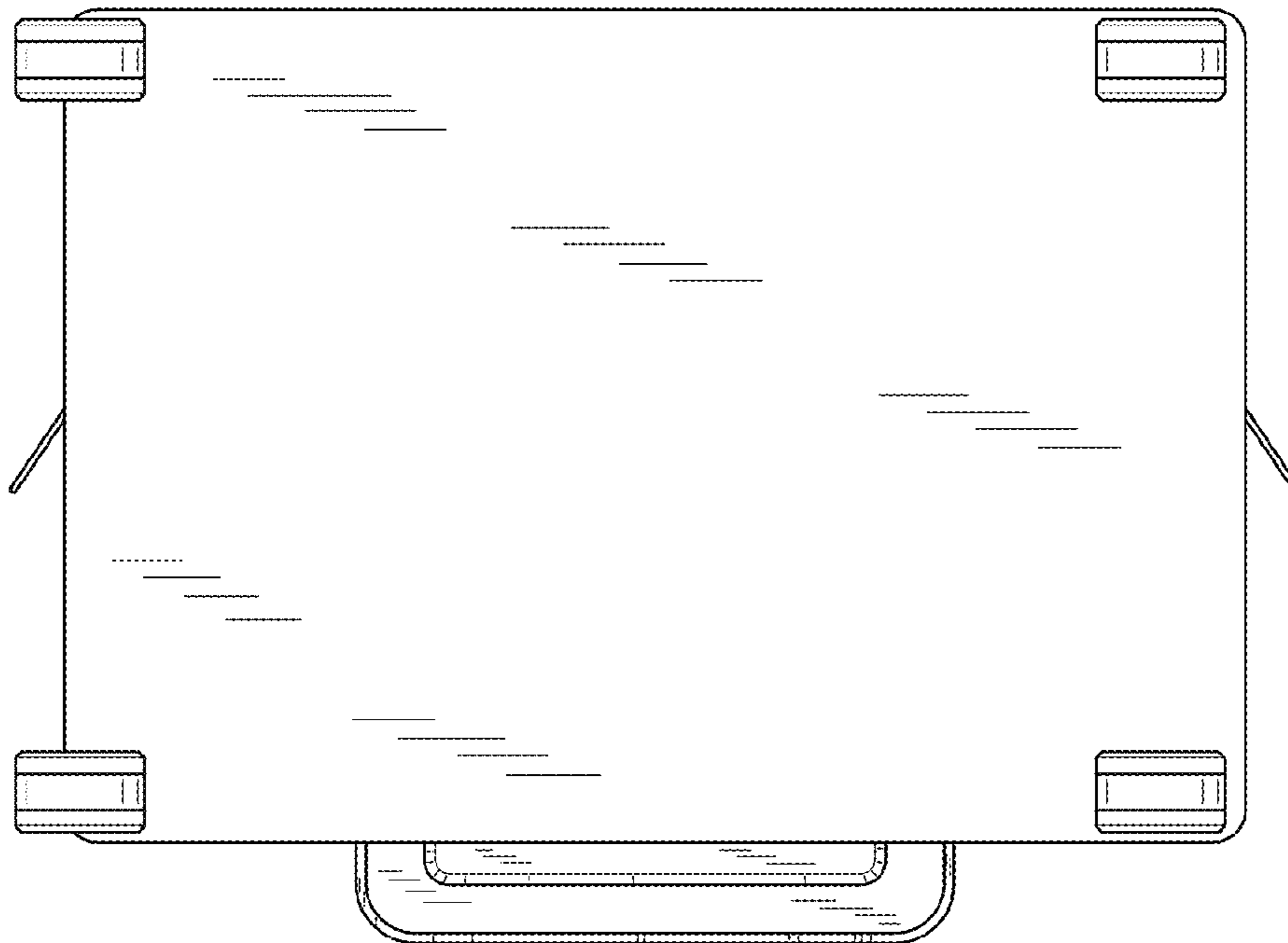


FIG. 7



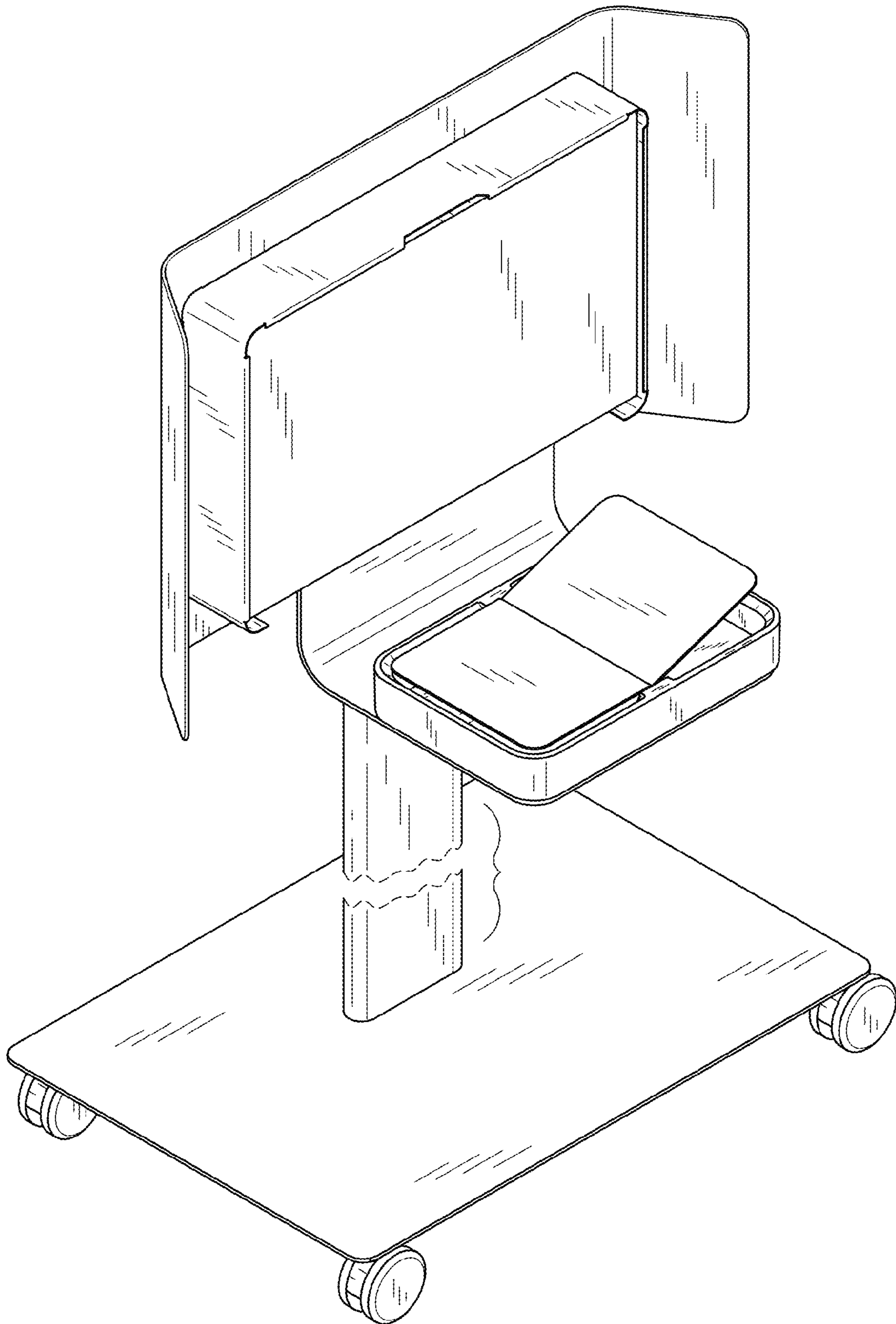


FIG. 8

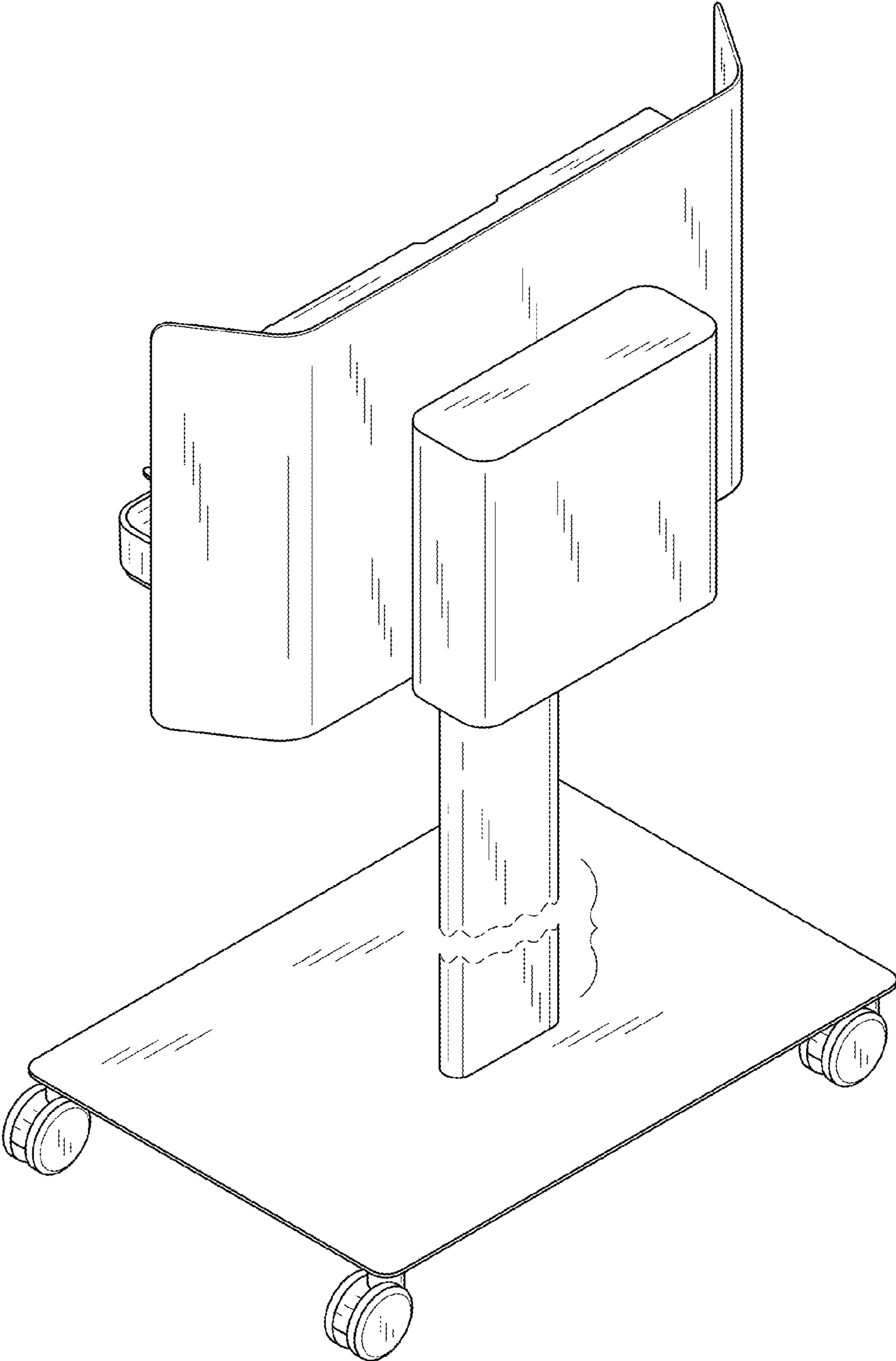


FIG. 9

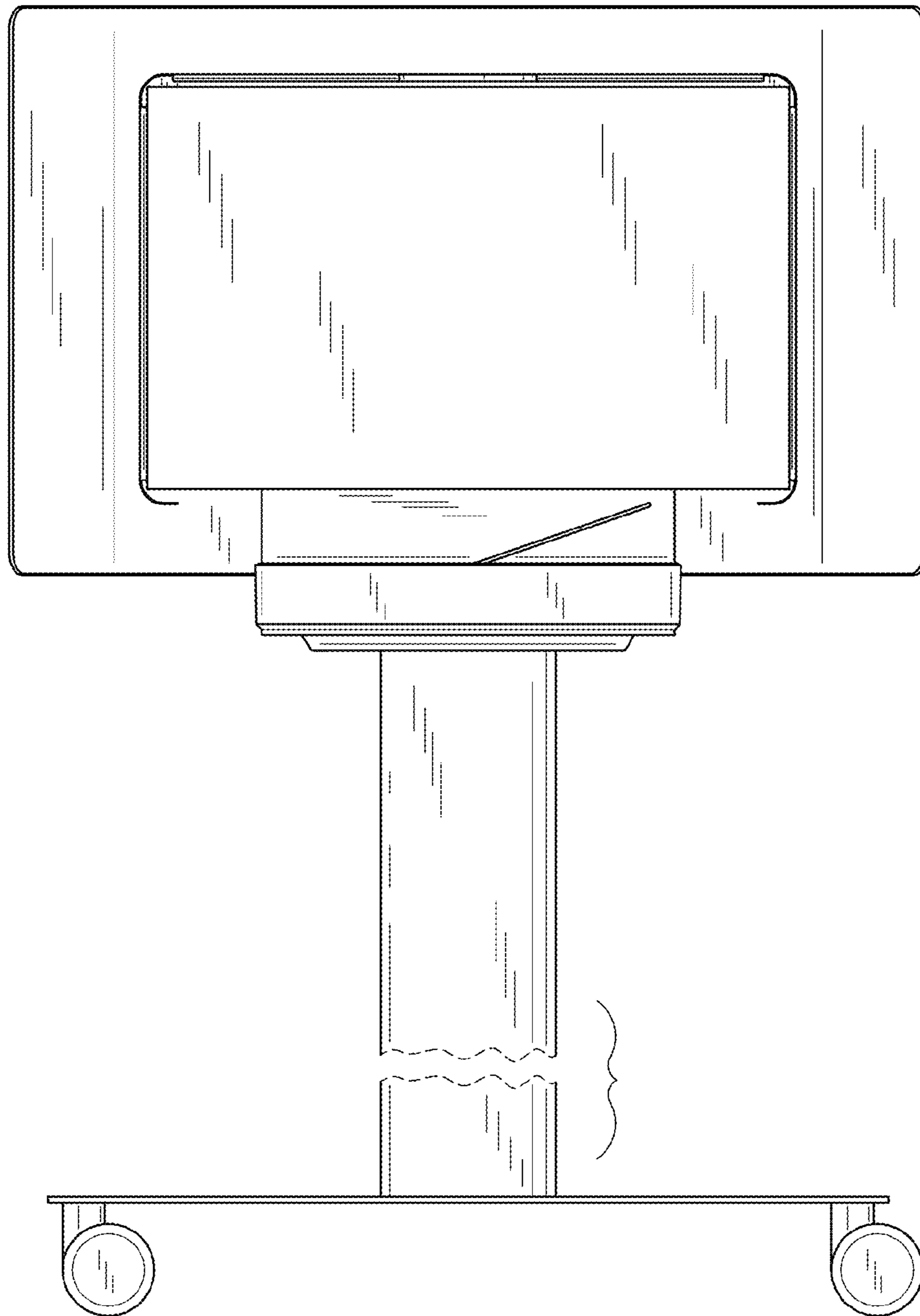


FIG. 10

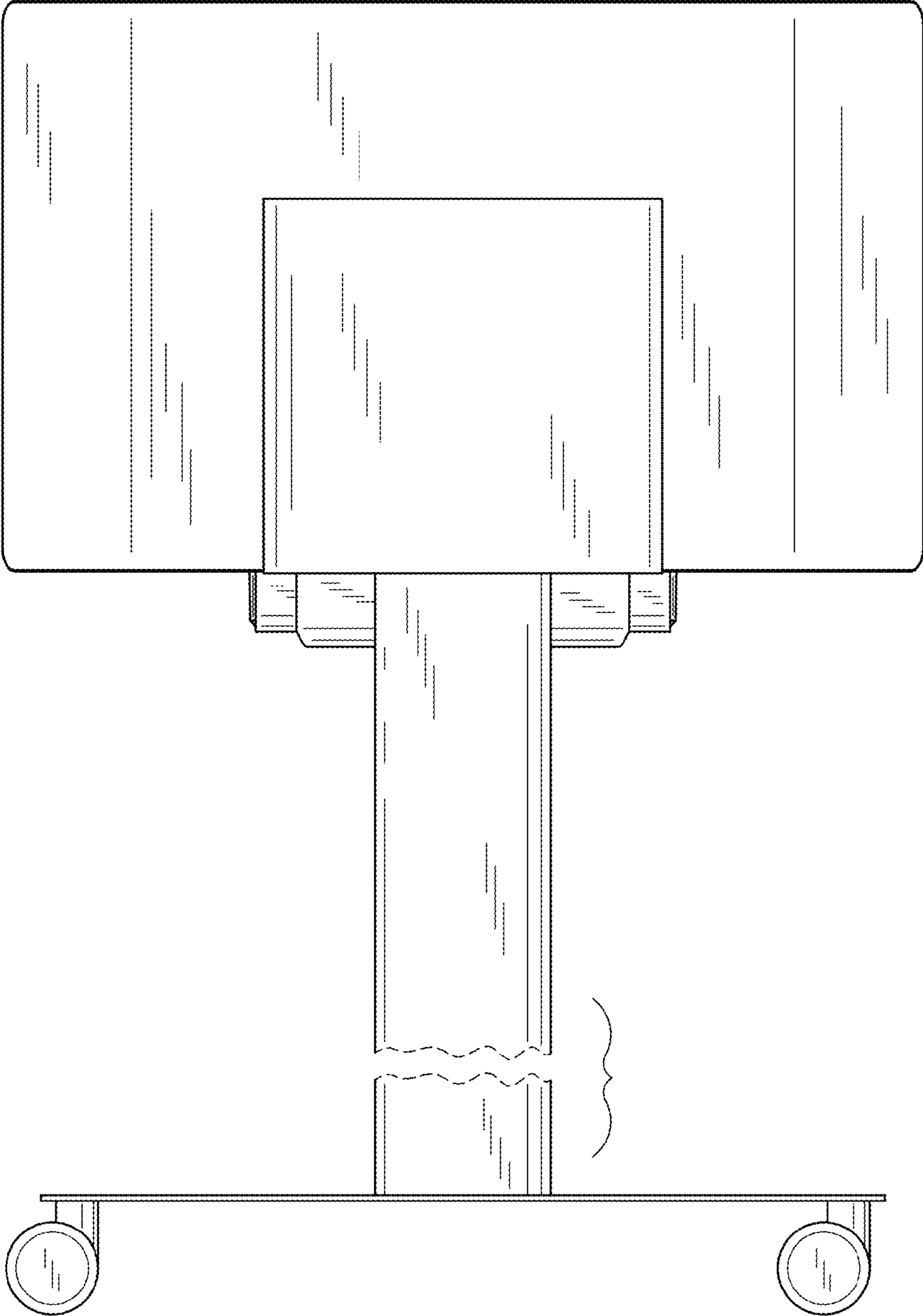


FIG. 11

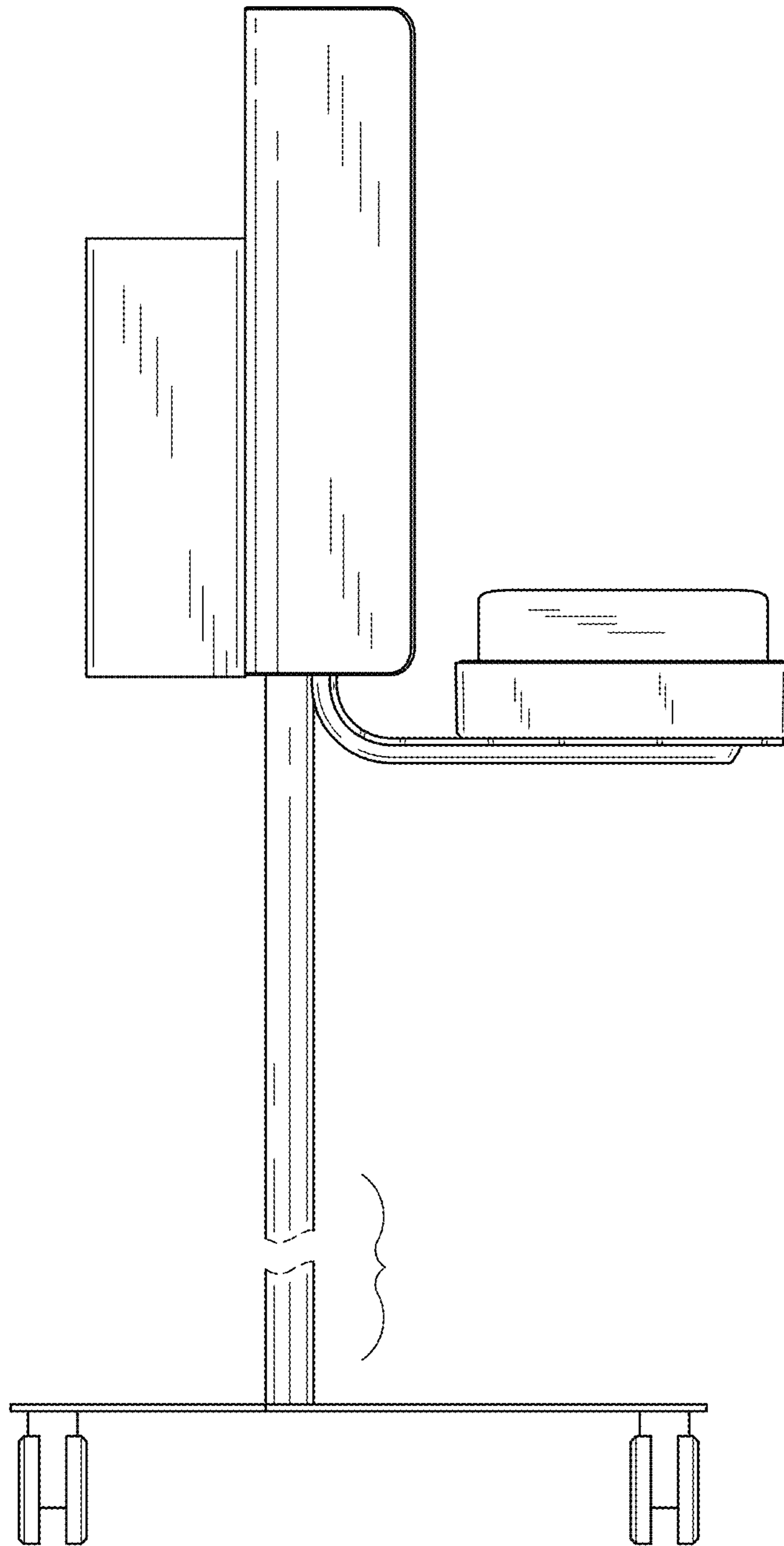


FIG. 12

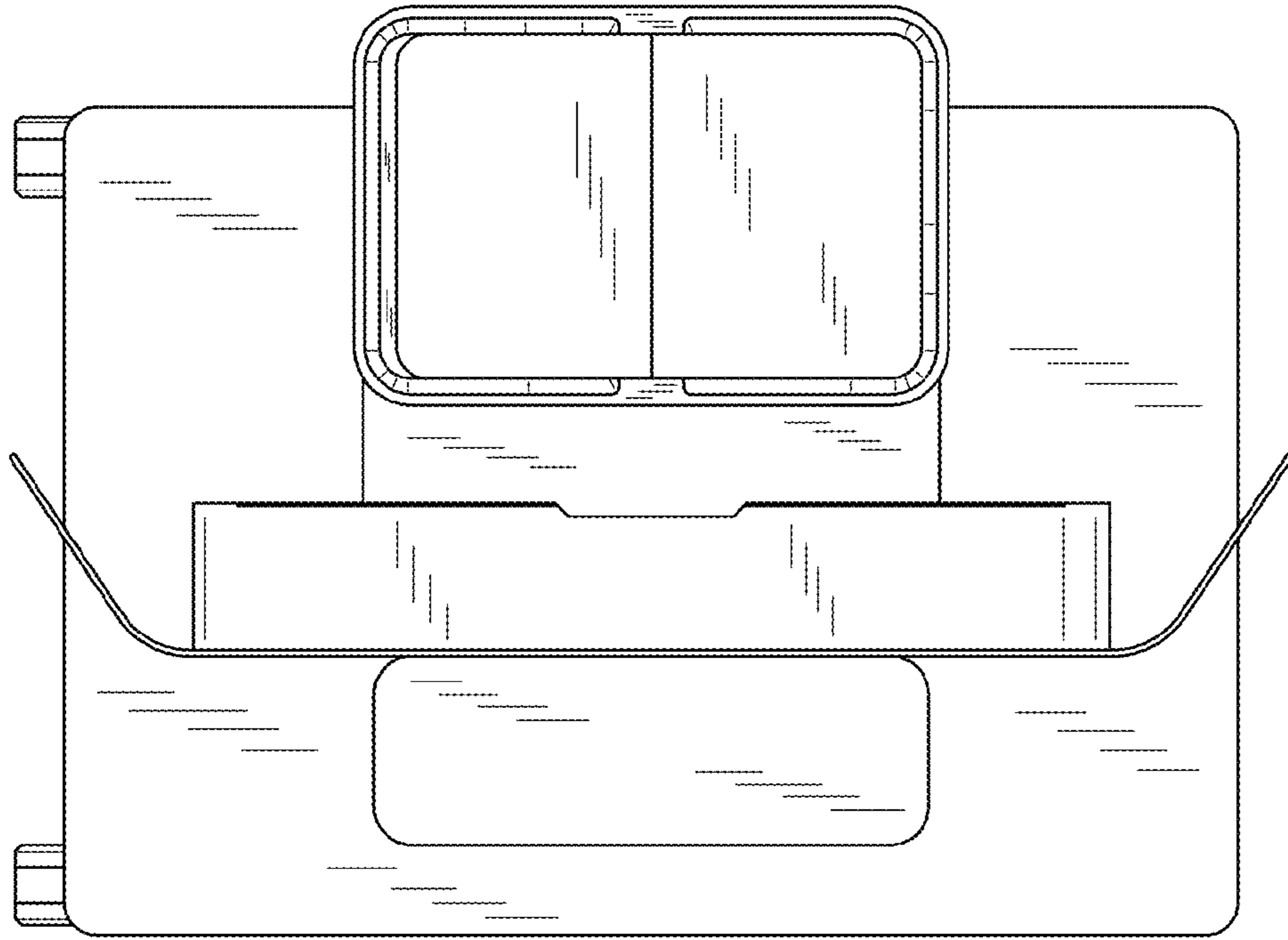


FIG. 13

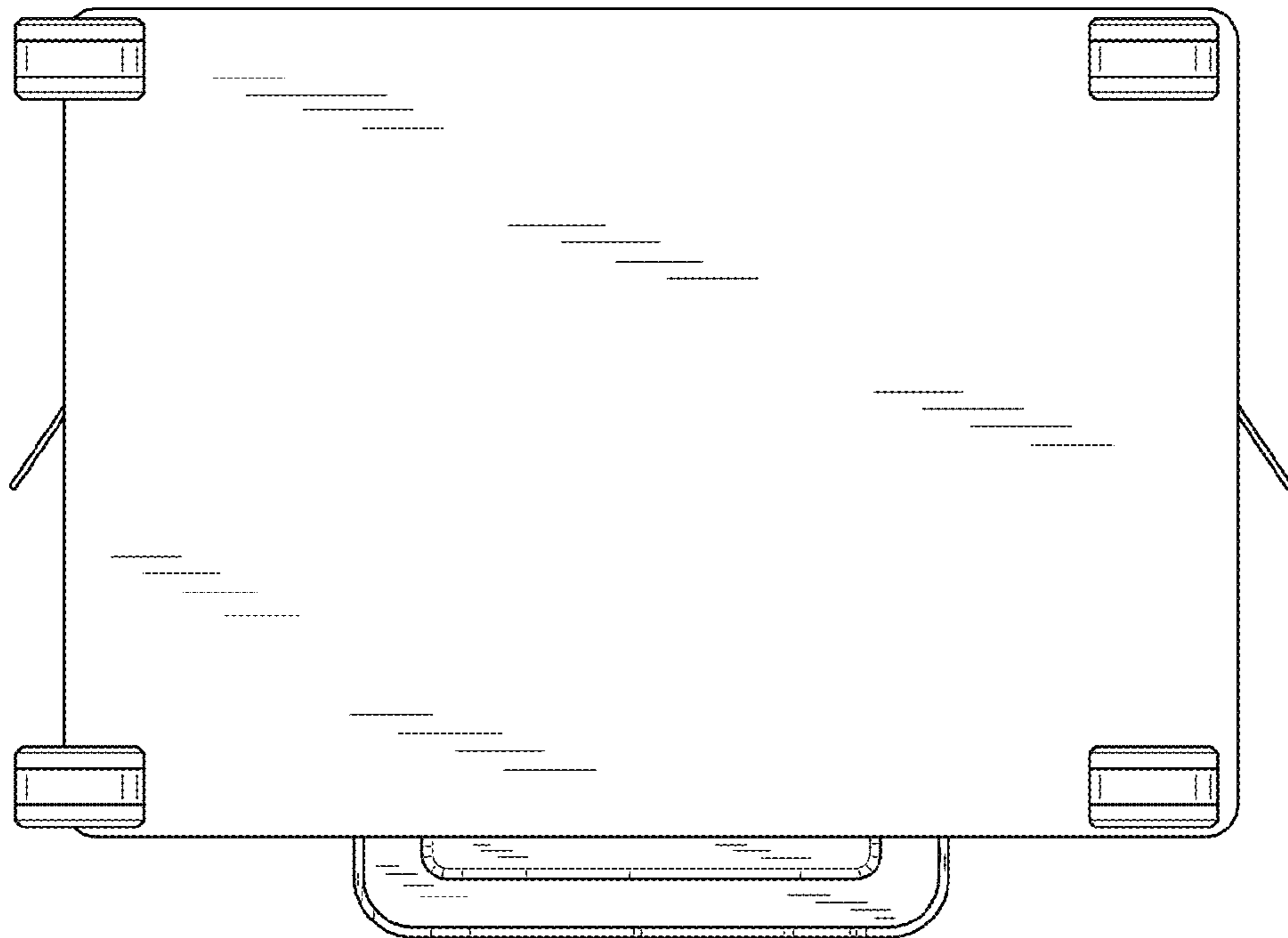


FIG. 14