



US00D720164S

(12) **United States Design Patent**
Parrish

(10) **Patent No.:** **US D720,164 S**

(45) **Date of Patent:** **** Dec. 30, 2014**

(54) **RACK APPARATUS**

(71) Applicant: **Stephen Eugene Parrish**, Antwerp, OH
(US)

(72) Inventor: **Stephen Eugene Parrish**, Antwerp, OH
(US)

(73) Assignee: **Parrish Products, LLC**, Antwerp, OH
(US)

(**) Term: **14 Years**

(21) Appl. No.: **29/499,585**

(22) Filed: **Aug. 15, 2014**

Related U.S. Application Data

(62) Division of application No. 14/459,297, filed on Aug. 13, 2014.

(51) **LOC (10) Cl.** **06-06**

(52) **U.S. Cl.**
USPC **D6/675.5**

(58) **Field of Classification Search**
USPC D6/329, 672, 673, 675, 675.1, 675.2,
D6/675.3, 675.5, 513-514, 552;
D21/690-691, 694; 482/104, 98;
D12/115; 211/17-22

See application file for complete search history.

(56) **References Cited**

U.S. PATENT DOCUMENTS

4,039,106	A *	8/1977	Graber	224/329
5,348,149	A	9/1994	McCarthy	
D376,577	S *	12/1996	Avery	D12/408
D467,218	S *	12/2002	Peschmann et al.	D12/408
D480,350	S *	10/2003	Ho	D12/408
6,820,752	B2 *	11/2004	Jeskey et al.	211/41.14
D499,672	S *	12/2004	Thompson	D12/115
7,246,731	B1 *	7/2007	Matherne, Sr.	224/403
D661,623	S *	6/2012	Strayer	D12/115
8,376,291	B1 *	2/2013	Groves	248/166
D708,460	S *	7/2014	Peggs	D6/675.1
D713,322	S *	9/2014	Moore et al.	D12/414
D713,956	S *	9/2014	Goldwitz	D23/410

* cited by examiner

Primary Examiner — Kelley Donnelly

(74) *Attorney, Agent, or Firm* — Brenda J. Kruse; Ferguson, Wacha & Kruse, LLC

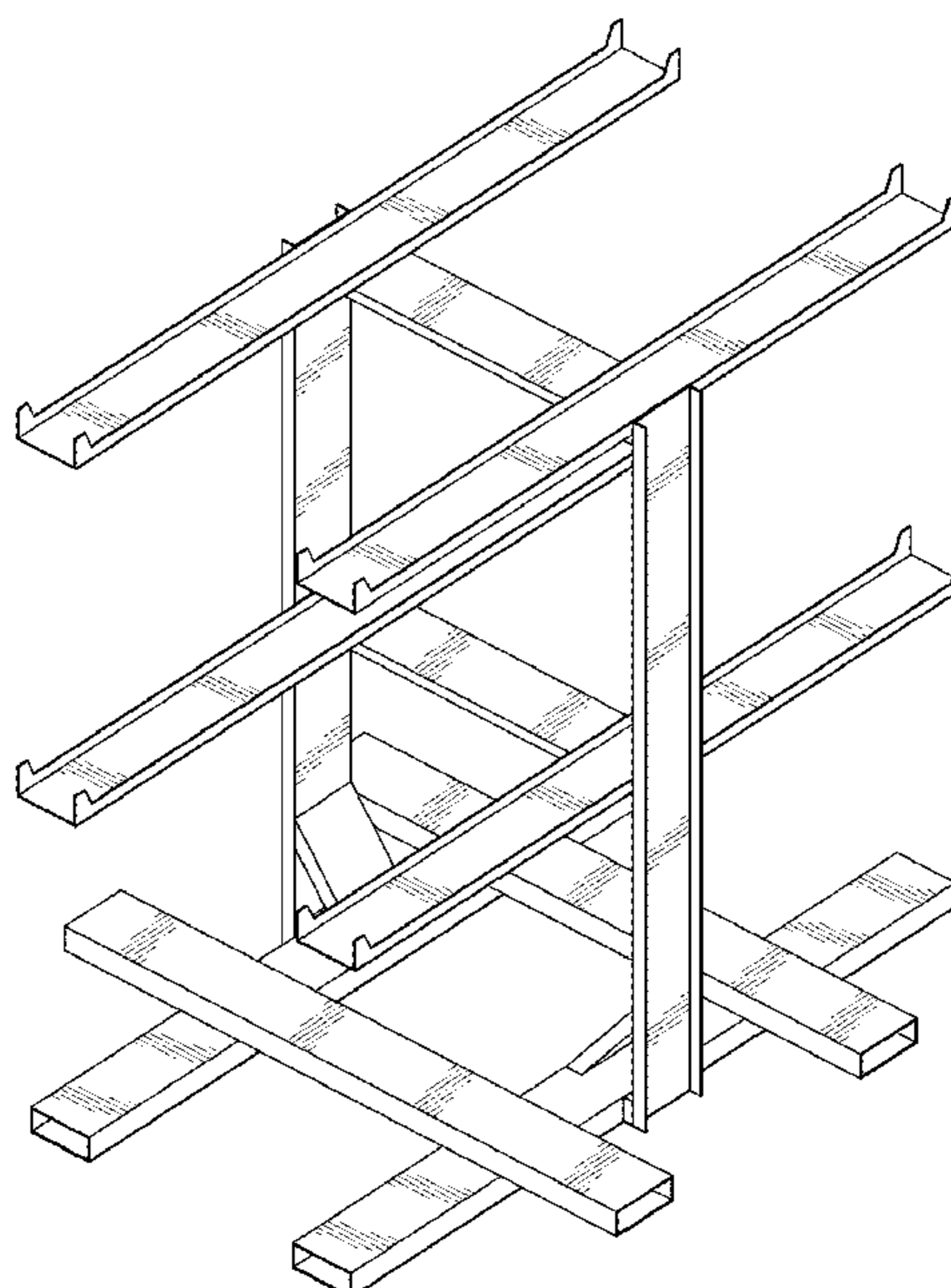
(57) **CLAIM**

The ornamental design for a rack apparatus, as shown and described.

DESCRIPTION

FIG. 1 is a perspective view of a rack apparatus;
FIG. 2 is a front elevational view thereof; the rear elevational view being a mirror image;
FIG. 3 is a top plan view thereof;
FIG. 4 is a bottom plan view thereof; and,
FIG. 5 is a right side elevational view thereof; the left side elevational view being a mirror image.
The ornamental design which is claimed is shown in solid lines in the drawings.

1 Claim, 3 Drawing Sheets



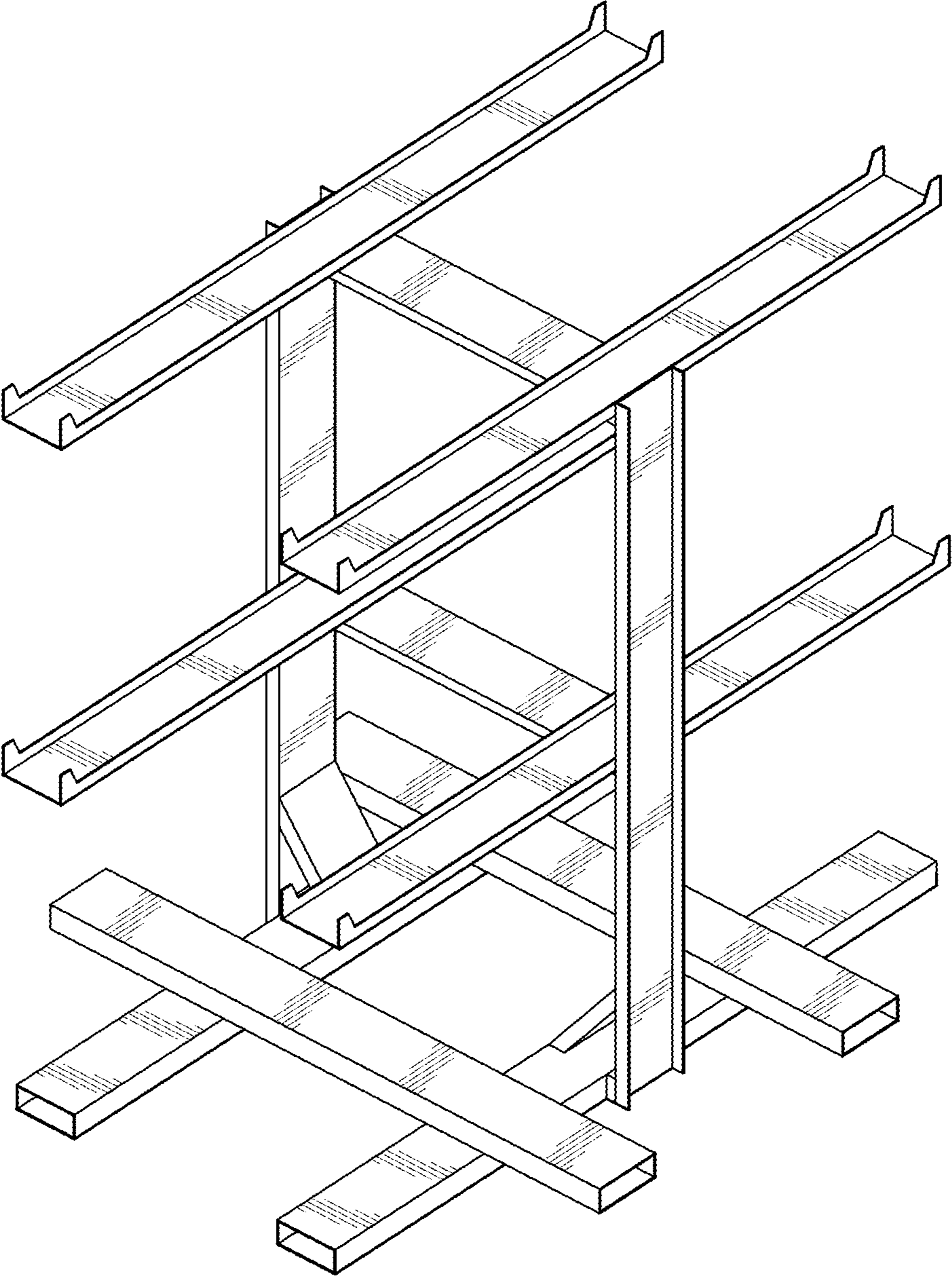


FIG. 1

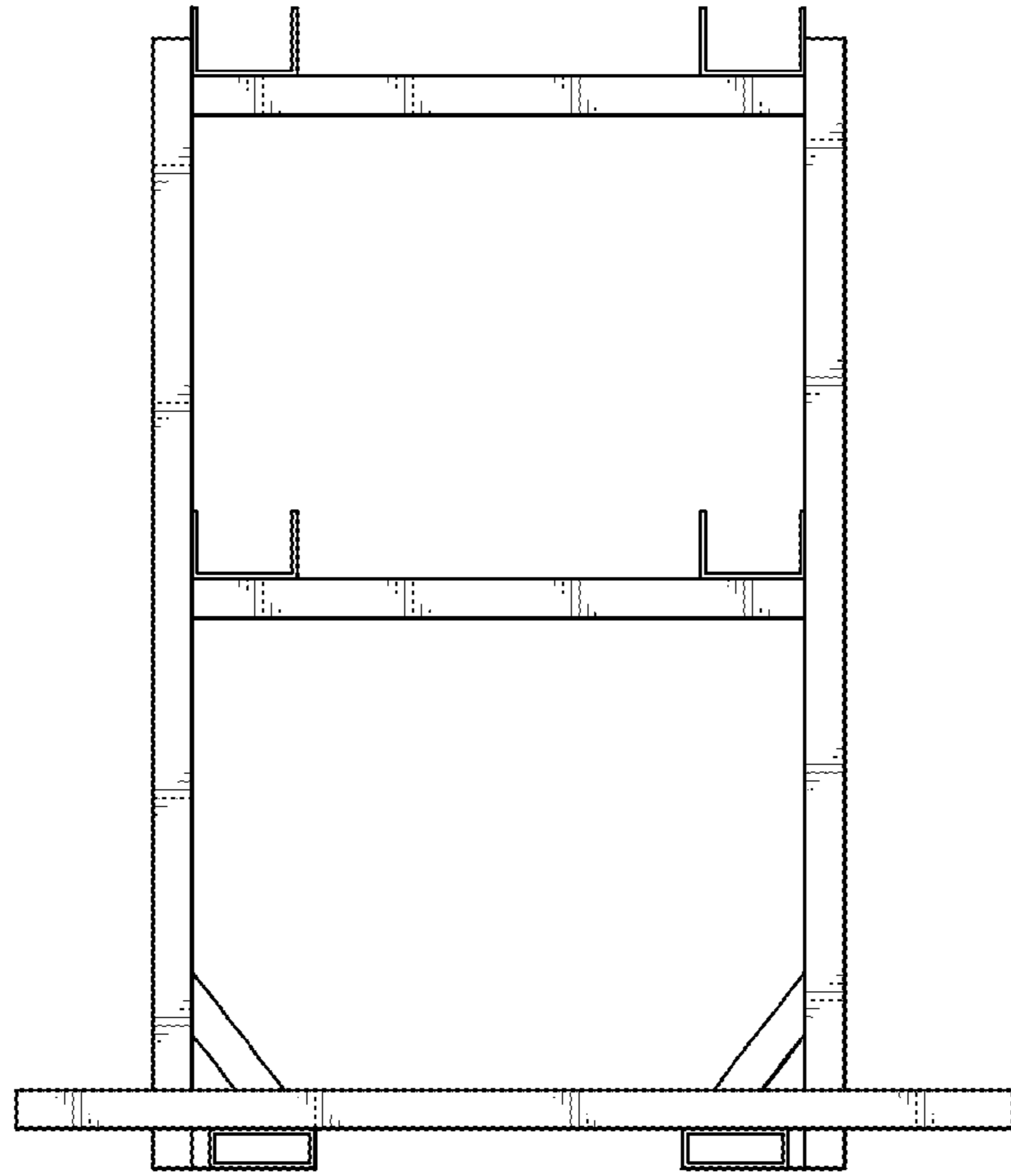


FIG. 2

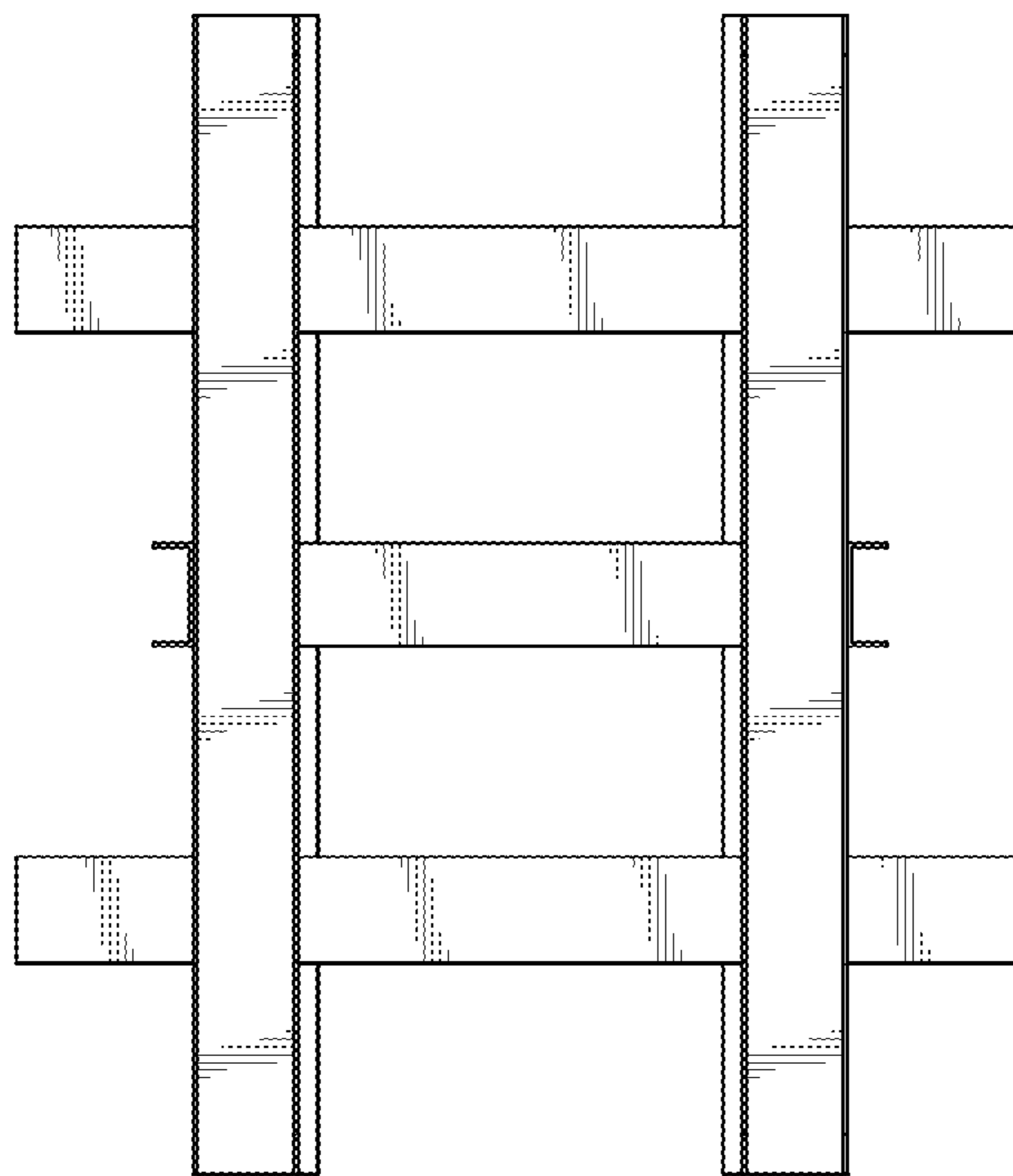


FIG. 3

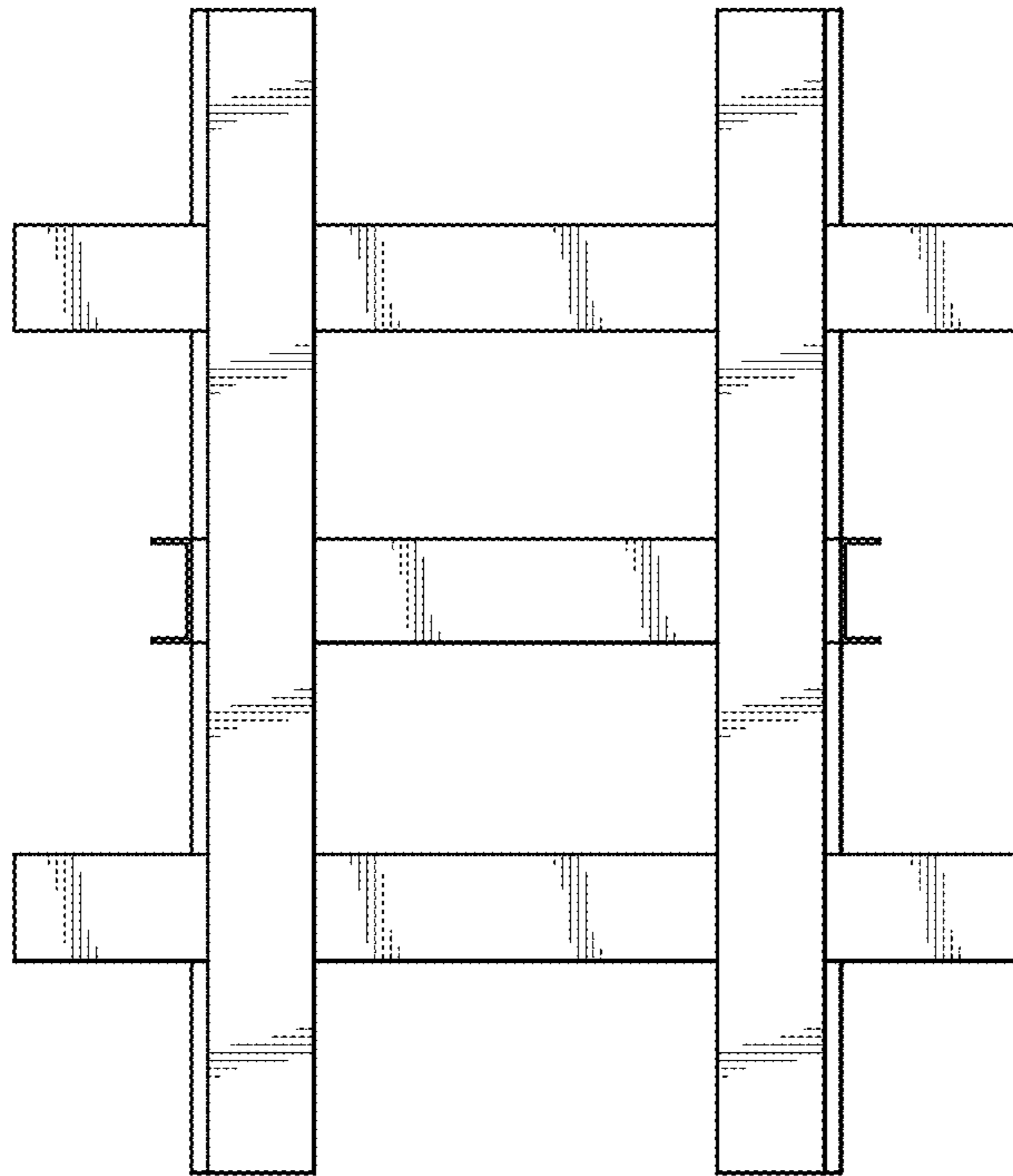


FIG. 4

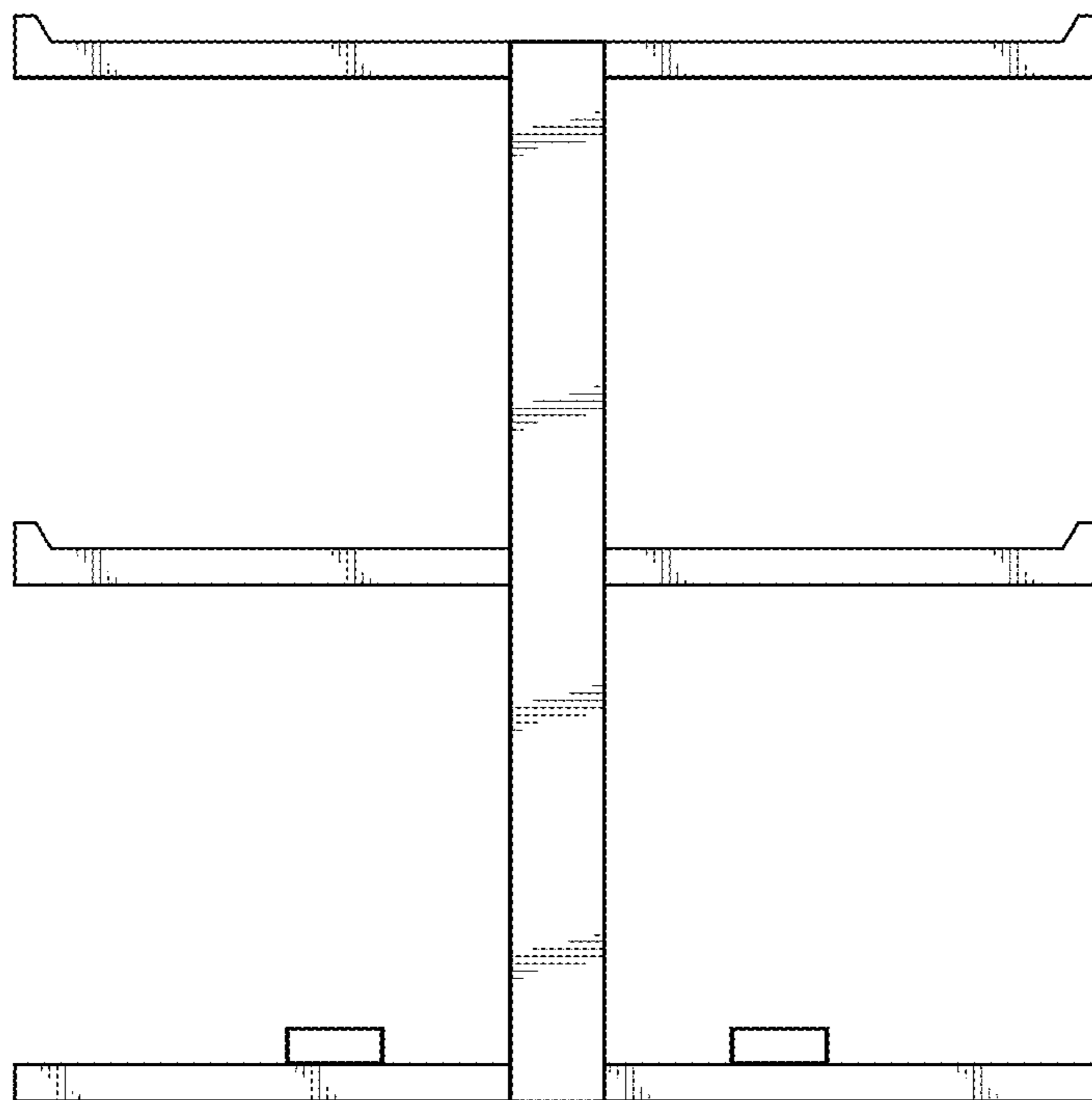


FIG. 5