



US00D720160S

(12) **United States Design Patent**  
**Lloyd et al.**

(10) **Patent No.:** **US D720,160 S**  
(45) **Date of Patent:** **\*\* Dec. 30, 2014**

(54) **WORKSTATION**

(75) Inventors: **Tom Lloyd**, London (GB); **Luke Pearson**, London (GB)

(73) Assignee: **Bene AG**, Waidhofen/Ybbs (AT)

(\*\*) Term: **14 Years**

(21) Appl. No.: **29/430,684**

(22) Filed: **Aug. 29, 2012**

(30) **Foreign Application Priority Data**

Feb. 29, 2012 (EM) ..... 2000034-0001  
Feb. 29, 2012 (EM) ..... 2000034-0004  
Feb. 29, 2012 (EM) ..... 2000034-0005

(51) **LOC (10) Cl.** ..... **06-03**

(52) **U.S. Cl.**  
USPC ..... **D6/643**

(58) **Field of Classification Search**  
USPC ..... D6/332, 643, 643.1; 108/50.01, 50.02,  
108/60; 160/135; 52/36.1, 239; 312/239  
See application file for complete search history.

(56) **References Cited**

U.S. PATENT DOCUMENTS

D208,413 S *	8/1967	Ball	.....	D6/421
D225,871 S *	1/1973	Crannel	.....	D6/421
D304,529 S *	11/1989	Hontz	.....	D6/421
D376,278 S *	12/1996	Zivari	.....	D6/421
D520,263 S *	5/2006	Nobles et al.	.....	D6/421

\* cited by examiner

*Primary Examiner* — Janice Seeger

(74) *Attorney, Agent, or Firm* — Jordan IP Law, LLC; Todd A. Vaughn

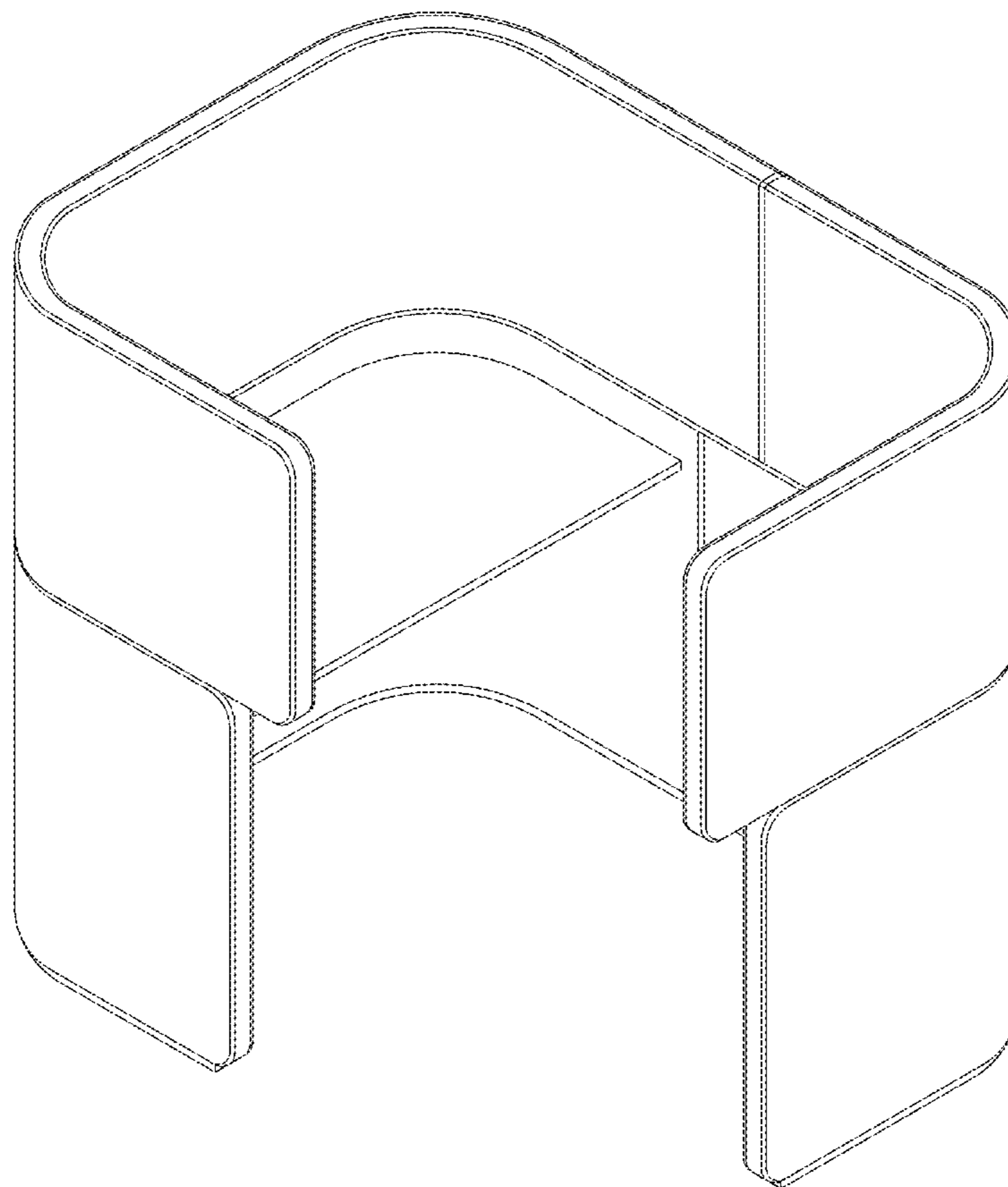
(57) **CLAIM**

The ornamental design for a workstation, as shown.

**DESCRIPTION**

FIG. 1 illustrates a perspective view of a workstation.  
FIG. 2 illustrates a right side view of the workstation of FIG. 1.  
FIG. 3 illustrates a front view of the workstation of FIG. 1.  
FIG. 4 illustrates a left side view of the workstation of FIG. 1.  
FIG. 5 illustrates a bottom view of the workstation of FIG. 1; and,  
FIG. 6 illustrates a top view of the workstation of FIG. 1.

**1 Claim, 6 Drawing Sheets**



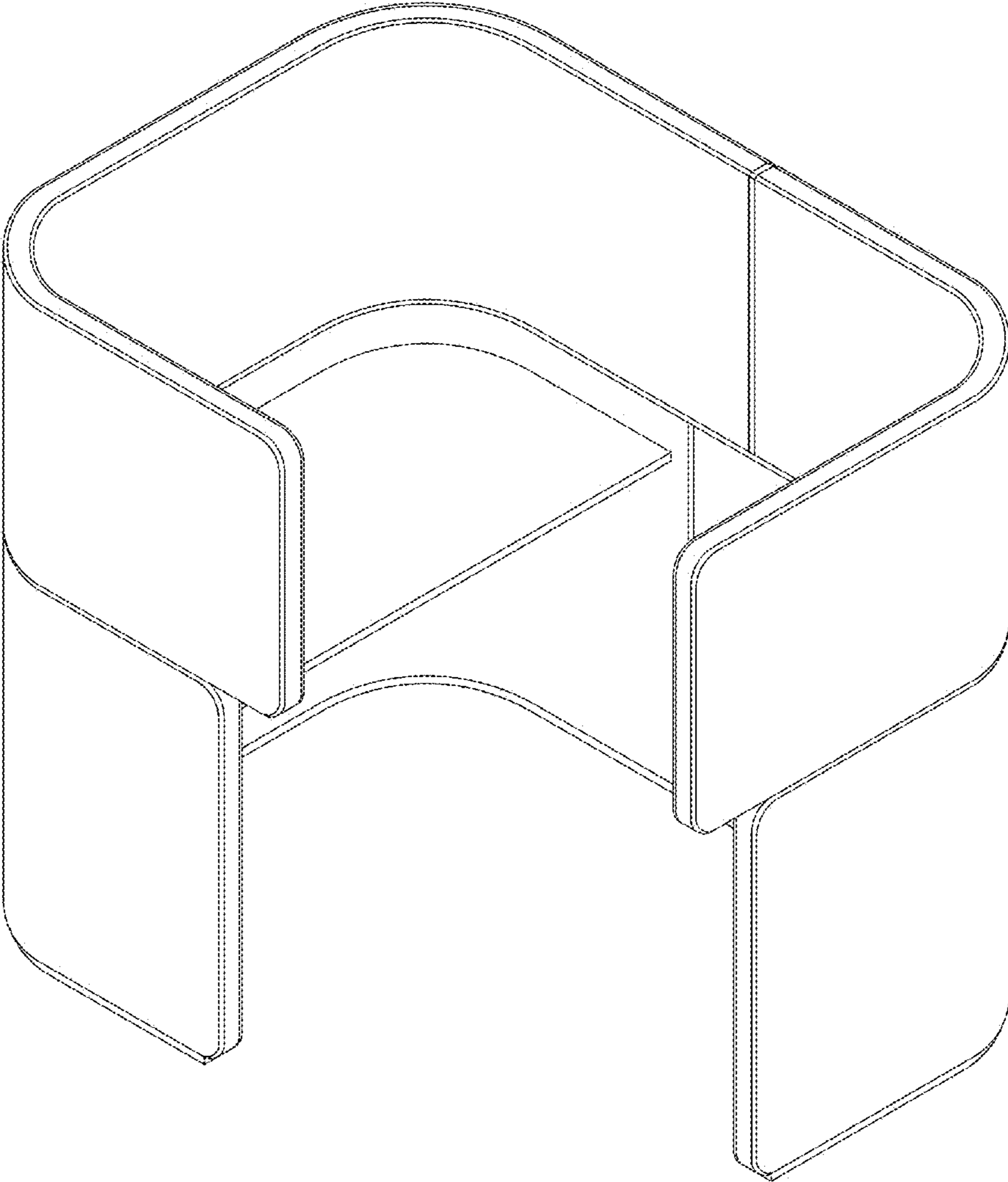


FIG.1

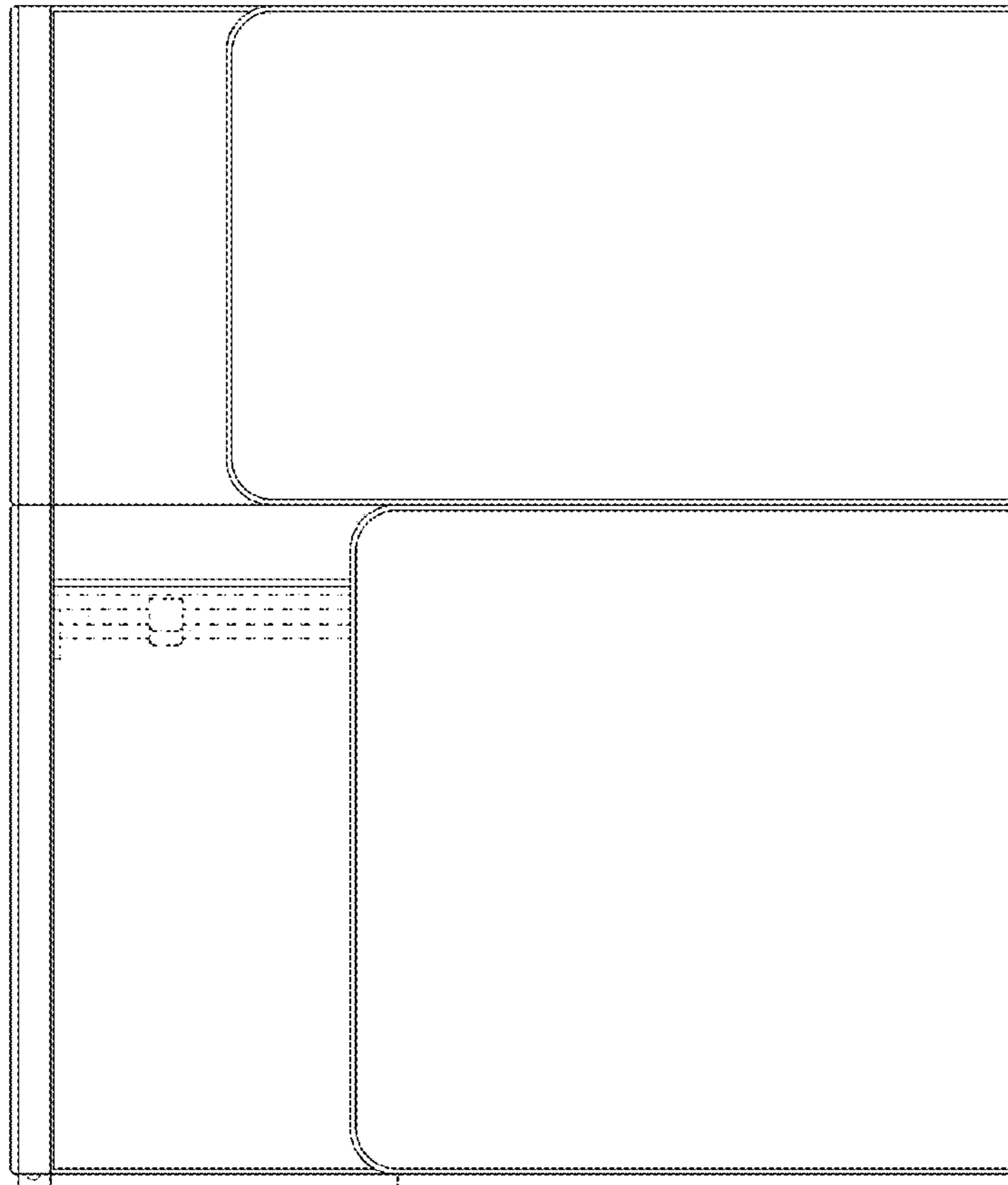


FIG. 2

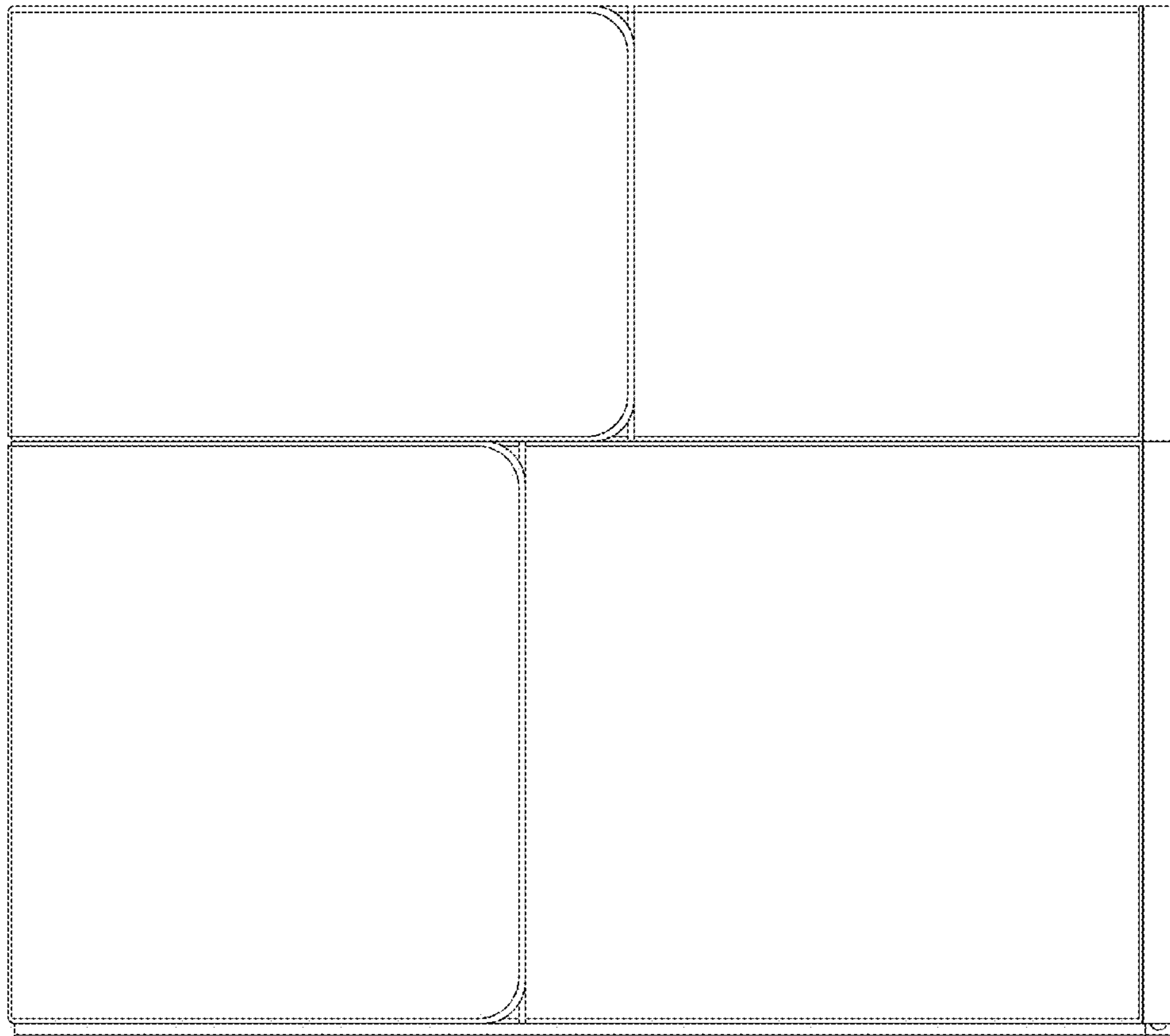


FIG.3



FIG.4

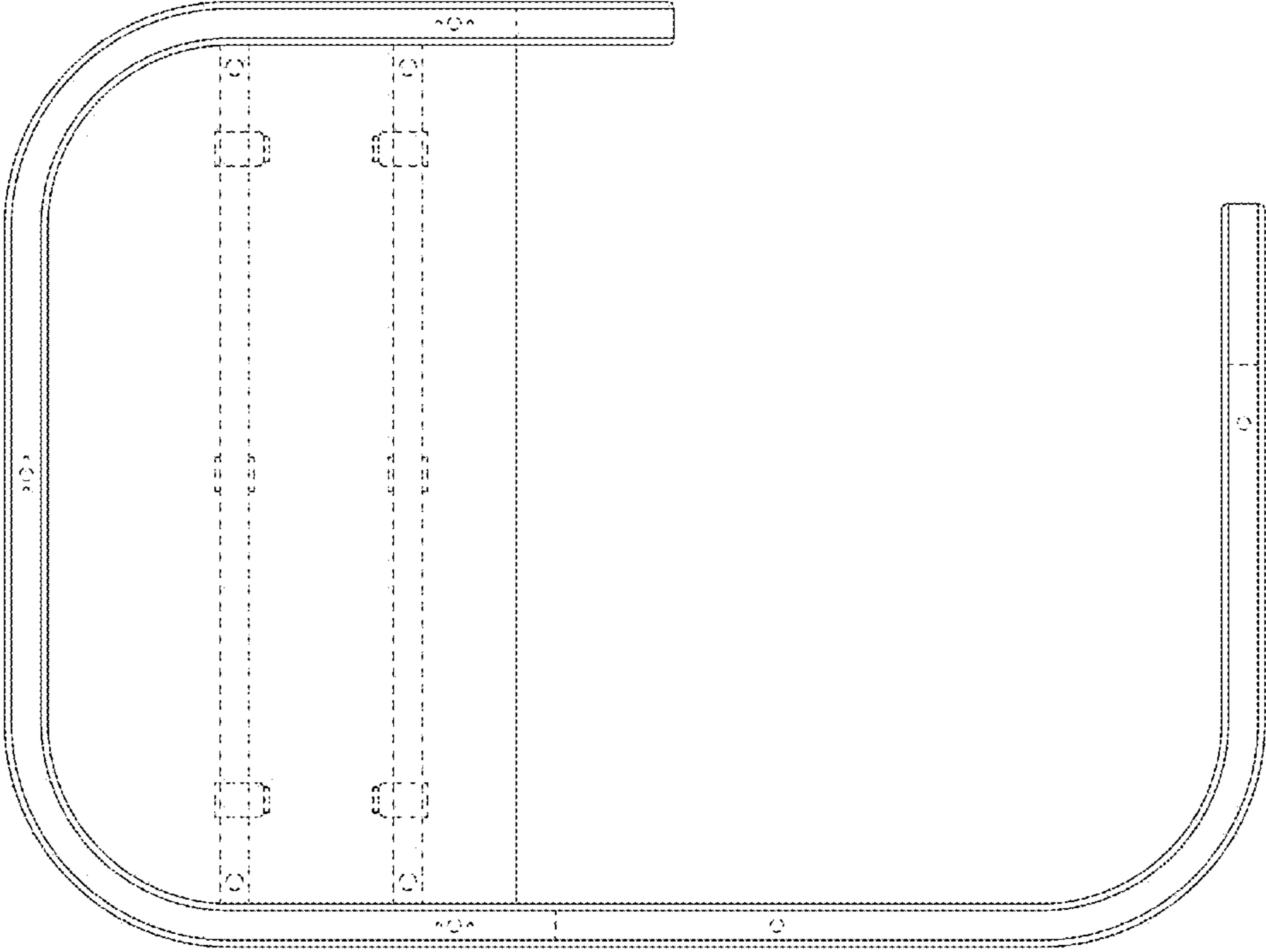


FIG.5

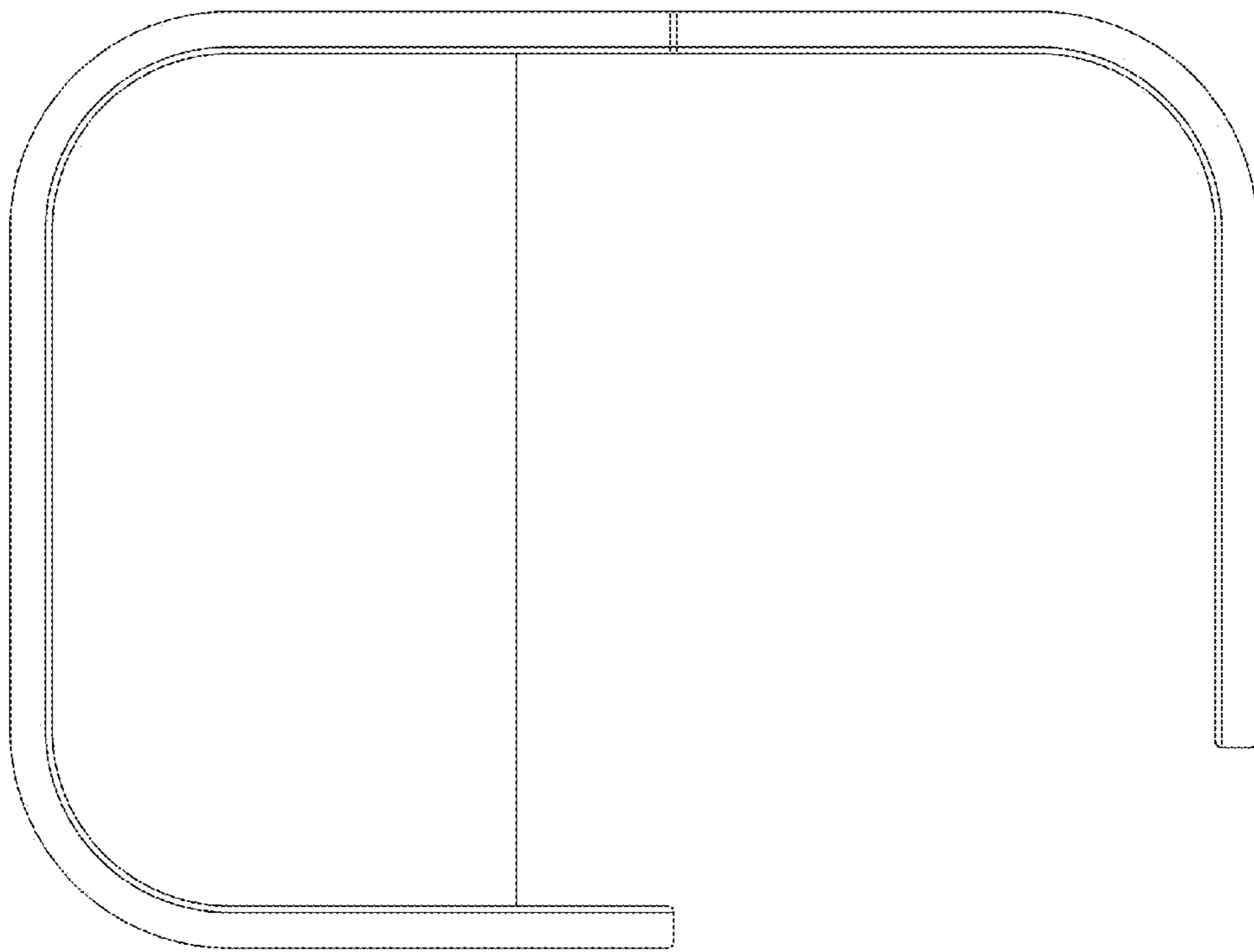


FIG. 6