



US00D720159S

(12) **United States Design Patent**  
**Arnold**

(10) **Patent No.:** **US D720,159 S**

(45) **Date of Patent:** **\*\* Dec. 30, 2014**

(54) **BED**

(71) Applicant: **Sealy Technology, LLC**, Trinity, NC  
(US)

(72) Inventor: **Elena M. Arnold**, Browns Summit, NC  
(US)

(73) Assignee: **Sealy Technology, LLC**, Trinity, NC  
(US)

(\*\*) Term: **14 Years**

(21) Appl. No.: **29/491,120**

(22) Filed: **May 16, 2014**

**Related U.S. Application Data**

(62) Division of application No. 29/461,950, filed on Jul. 29, 2013, now Pat. No. Des. 708,455.

(51) **LOC (10) Cl.** ..... **06-06**

(52) **U.S. Cl.**  
USPC ..... **D6/606; D6/605**

(58) **Field of Classification Search**  
USPC ..... D6/595, 596, 601, 604, 605, 606;  
5/690, 706, 716, 717, 739, 740, 657.5,  
5/907; D1/100; D28/8.1; D25/113;  
D9/414, 416; D20/11, 22

See application file for complete search history.

(56) **References Cited**

**U.S. PATENT DOCUMENTS**

D296,932	S	*	7/1988	Tranghese	.....	D24/183
D479,082	S	*	9/2003	Daughtery et al.	.....	D6/596
7,065,816	B2	*	6/2006	McGettigan	.....	5/731
D567,293	S	*	4/2008	Winningham et al.	.....	D20/11
D662,754	S	*	7/2012	Shive	.....	D6/605
D670,950	S	*	11/2012	Price	.....	D6/605
D690,962	S	*	10/2013	Danileson	.....	D6/605
D707,986	S	*	7/2014	Arnold	.....	D6/606
D708,455	S	*	7/2014	Arnold	.....	D6/606
2011/0056025	A1	*	3/2011	Jew et al.	.....	5/724

\* cited by examiner

*Primary Examiner* — Janice Seeger

(57) **CLAIM**

I claim the ornamental design for a bed, as shown and described.

**DESCRIPTION**

FIG. 1 is a top isometric view of a mattress of the present invention.

FIG. 2 is a right side plan view of the mattress of FIG. 1.

FIG. 3 is a front end plan view of the mattress of FIG. 1.

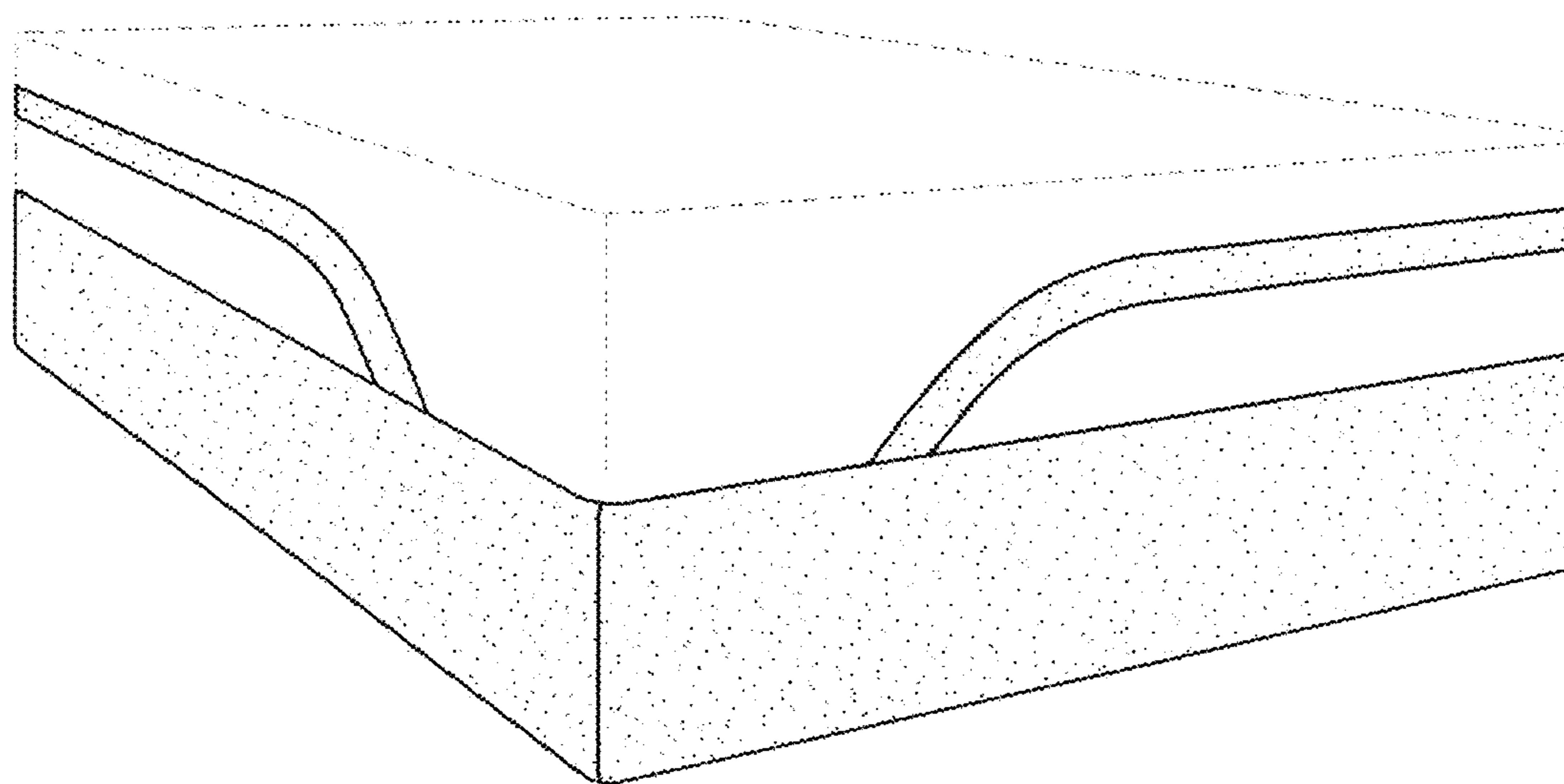
FIG. 4 is a left side plan view of the mattress of FIG. 1.

FIG. 5 is a rear end plan view of the mattress of FIG. 1; and,

FIG. 6 is a bottom plan view of the mattress of FIG. 1.

The portions of the mattress shown in broken lines are included for the purpose of illustrating environment and form no part of the claimed design. The portions of the body support shown in broken lines illustrate the boundary of the claimed design and form no part of the claimed design.

**1 Claim, 4 Drawing Sheets**



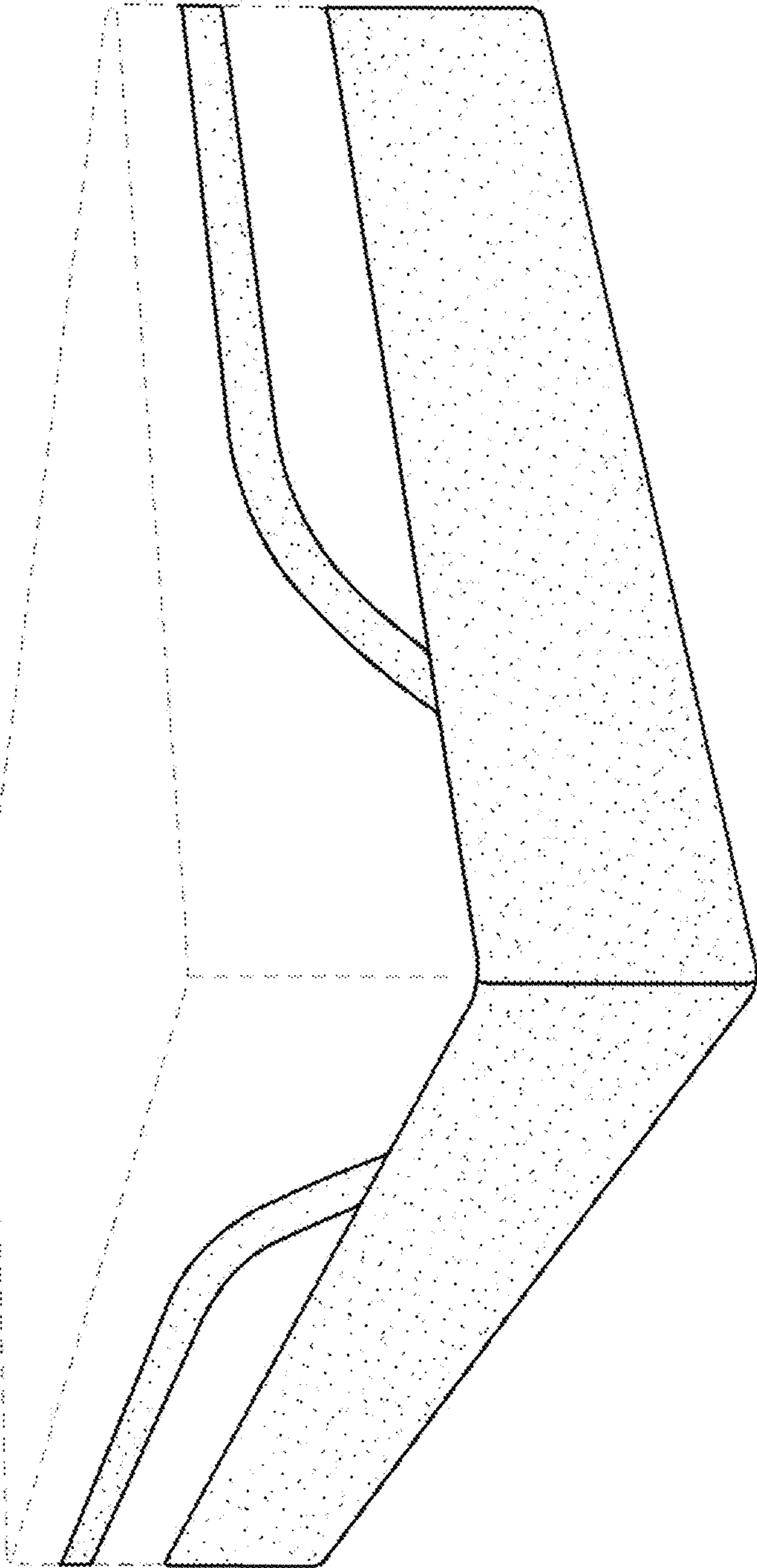


FIG. 1

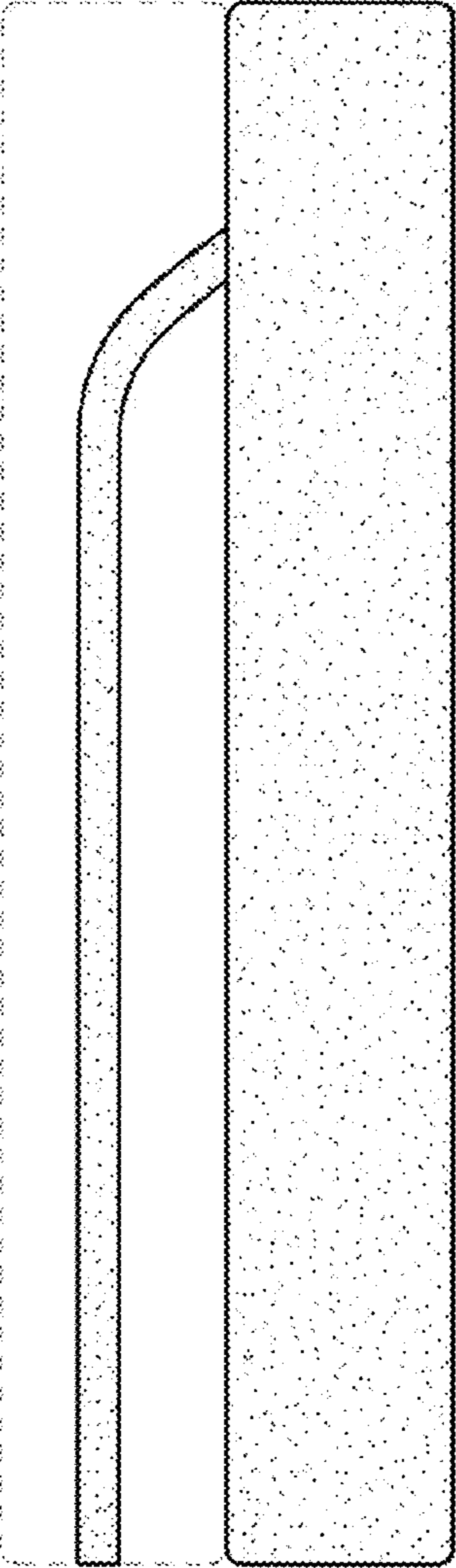


FIG. 2

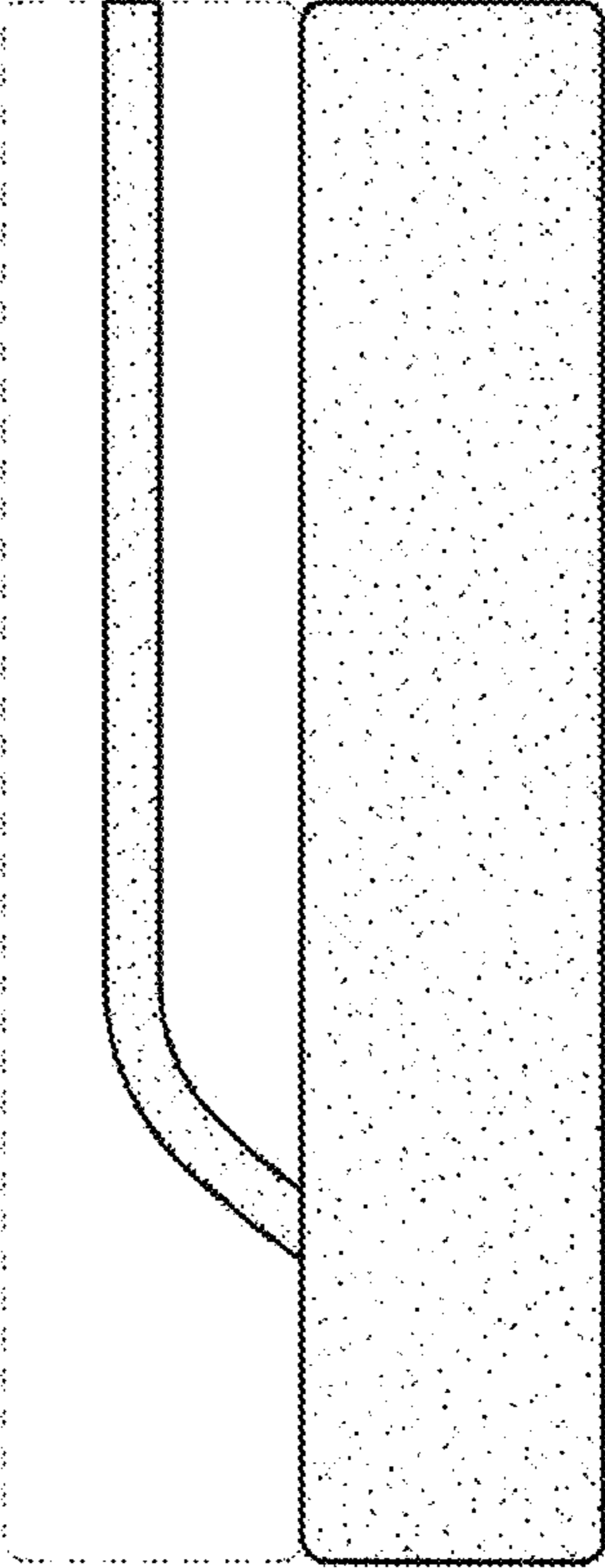


FIG. 3

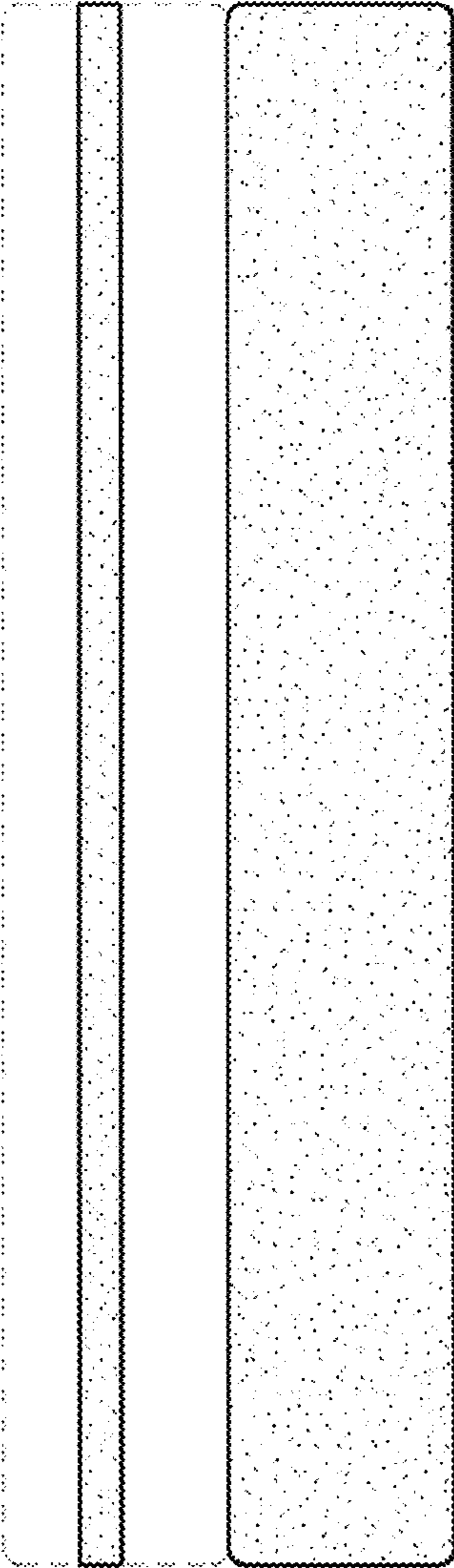


FIG. 4

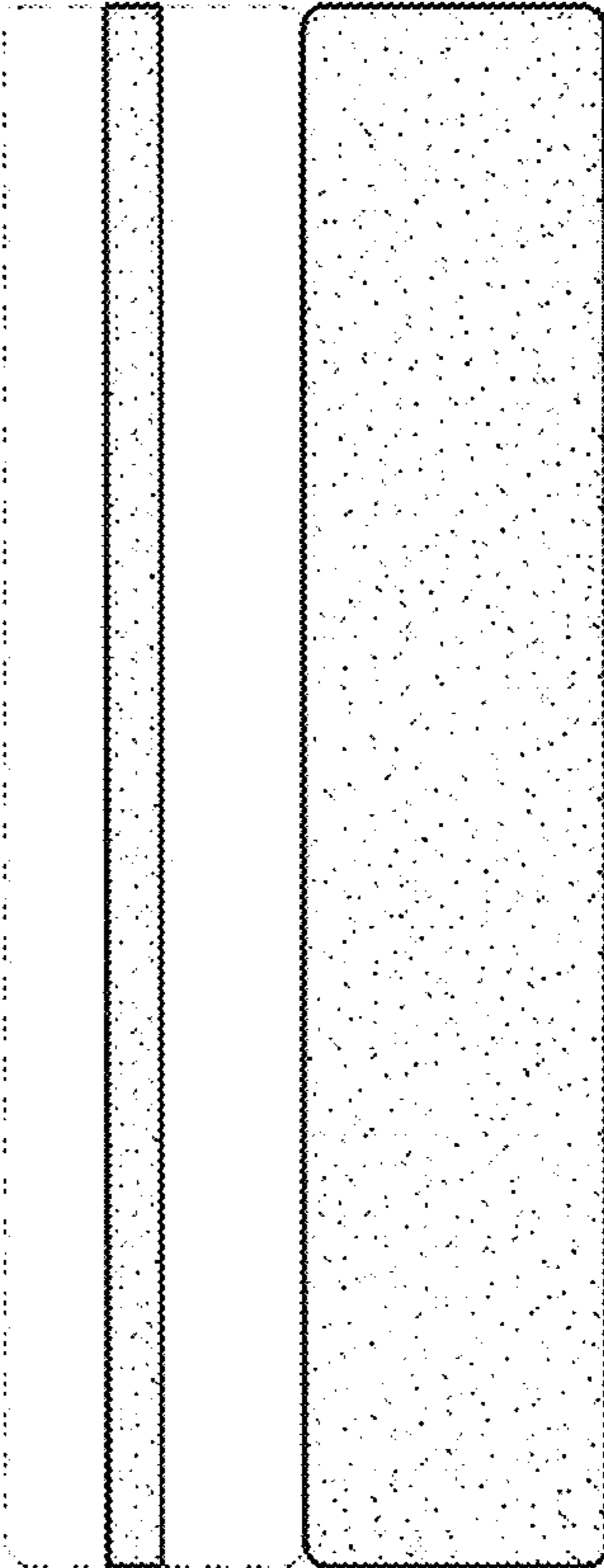


FIG. 5



FIG. 6