



US00D720156S

(12) **United States Design Patent**
Tronconi et al.

(10) **Patent No.:** **US D720,156 S**

(45) **Date of Patent:** **** Dec. 30, 2014**

(54) **CADDY**

(71) Applicant: **3M Innovative Properties Company**,
St. Paul, MN (US)

(72) Inventors: **Valentina Tronconi**, Milan (IT);
Lorenzo Ruggieri, Milan (IT); **Roberto
Manzari**, Milan (IT); **Antonio Pugliese**,
Pomigliano d'Arco (IT); **Michael C.
Molinet**, Stanford, CA (US); **Jeffrey S.
Fox**, White Bear Township, MN (US);
Cynthia A. Timmerman, Hudson, WI
(US); **Paul N. Daveloose**, St. Paul, MN
(US); **Kayo M. Roehm**, Shoreview, MN
(US); **Matthew D. Chaffee**, White Bear
Lake, MN (US)

(73) Assignee: **3M Innovative Properties Company**,
St. Paul, MN (US)

(**) Term: **14 Years**

(21) Appl. No.: **29/437,659**

(22) Filed: **Nov. 20, 2012**

(51) **LOC (10) Cl.** **06-02**

(52) **U.S. Cl.**
USPC **D6/551; D3/315**

(58) **Field of Classification Search**
USPC **D3/315-317; D6/524, 525, 551;
206/349, 361; 4/255.11, 255.05**

See application file for complete search history.

(56) **References Cited**

U.S. PATENT DOCUMENTS

D264,782	S	*	6/1982	Thompson	D6/524
D272,874	S	*	3/1984	Cohen	D6/551
D281,743	S	*	12/1985	Thompson	D4/121
D315,989	S	*	4/1991	Levien	D4/137
7,058,993	B2	*	6/2006	Nasco	4/255.11
7,185,759	B2	*	3/2007	Rich	206/349
D551,480	S	*	9/2007	Dretzka	D6/551
2004/0149608	A1	*	8/2004	Laux et al.	206/349
2006/0138002	A1	*	6/2006	Gillissie et al.	206/361
2013/0220370	A1	*	8/2013	Yehuda et al.	134/8

* cited by examiner

Primary Examiner — Ian Simmons
Assistant Examiner — Charles Hanson
(74) *Attorney, Agent, or Firm* — Irina Hass

(57) **CLAIM**

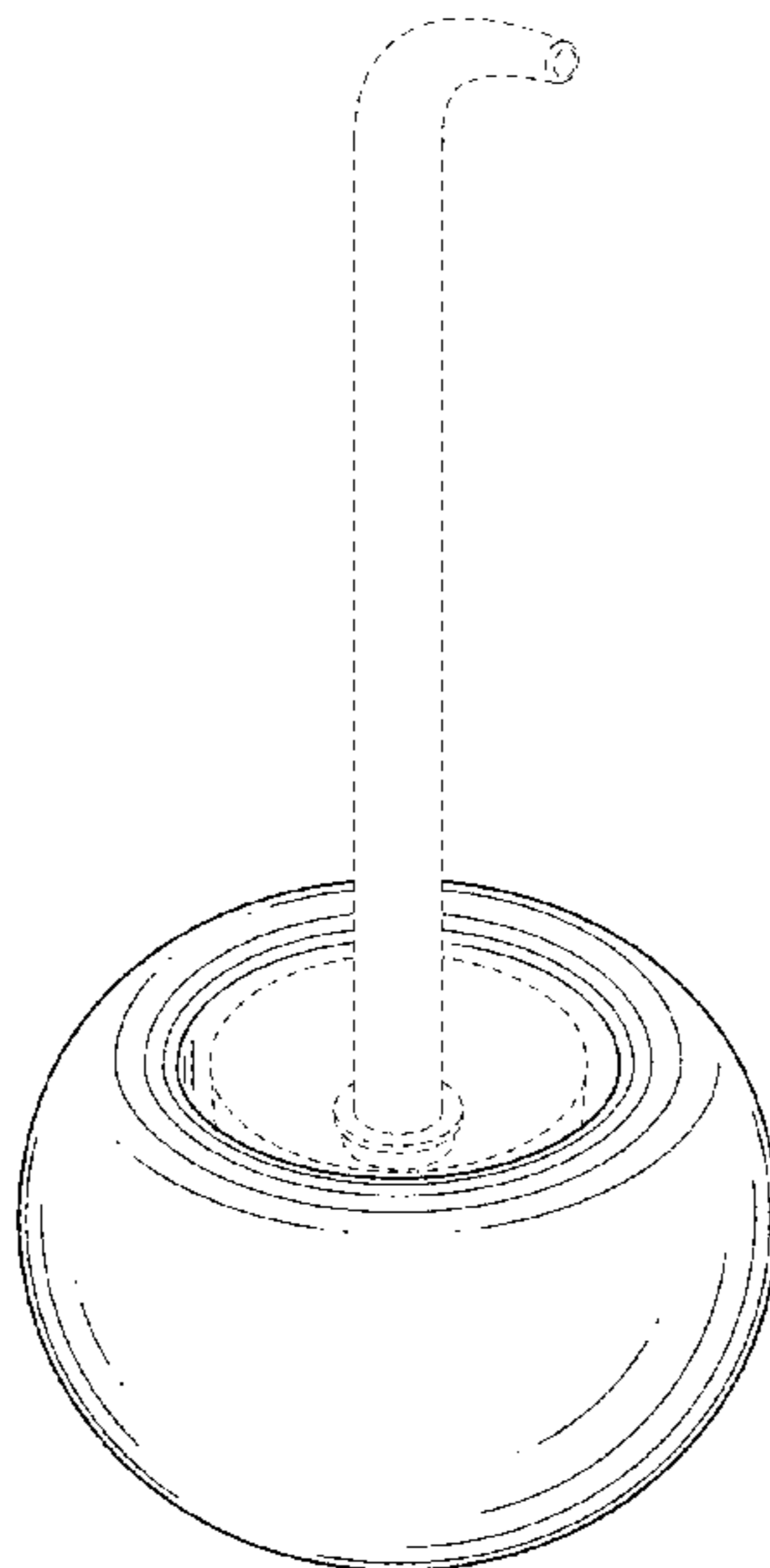
The ornamental design for a caddy, as shown and described.

DESCRIPTION

FIG. 1 is a perspective view showing the new design for a caddy;
FIG. 2 is a top view thereof;
FIG. 3 is a bottom view thereof;
FIG. 4 is a front view thereof, a rear view being a mirror image thereof;
FIG. 5 is a cross-sectional view taken along line 5-5 of FIG. 2;
and,
FIG. 6 is a perspective view thereof showing the caddy with a Cleaning Tool.

The broken lines in the drawings are shown for illustrative purposes only and form no part of the claimed design. In addition, the surface shading illustrated in the drawings is provided merely to highlight the contour of design; it is not intended to be illustrative of texture or gloss.

1 Claim, 3 Drawing Sheets



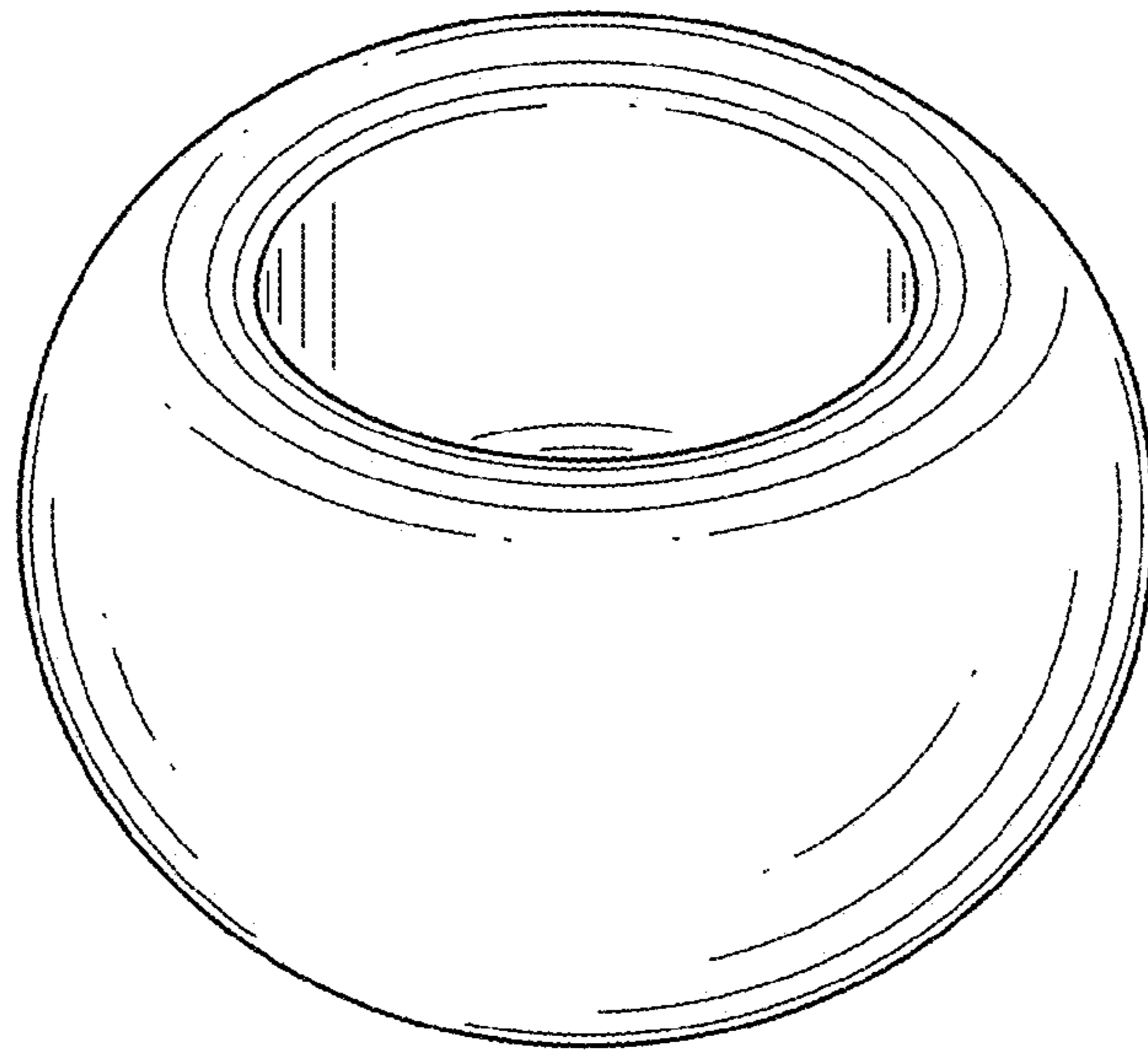


FIG. 1

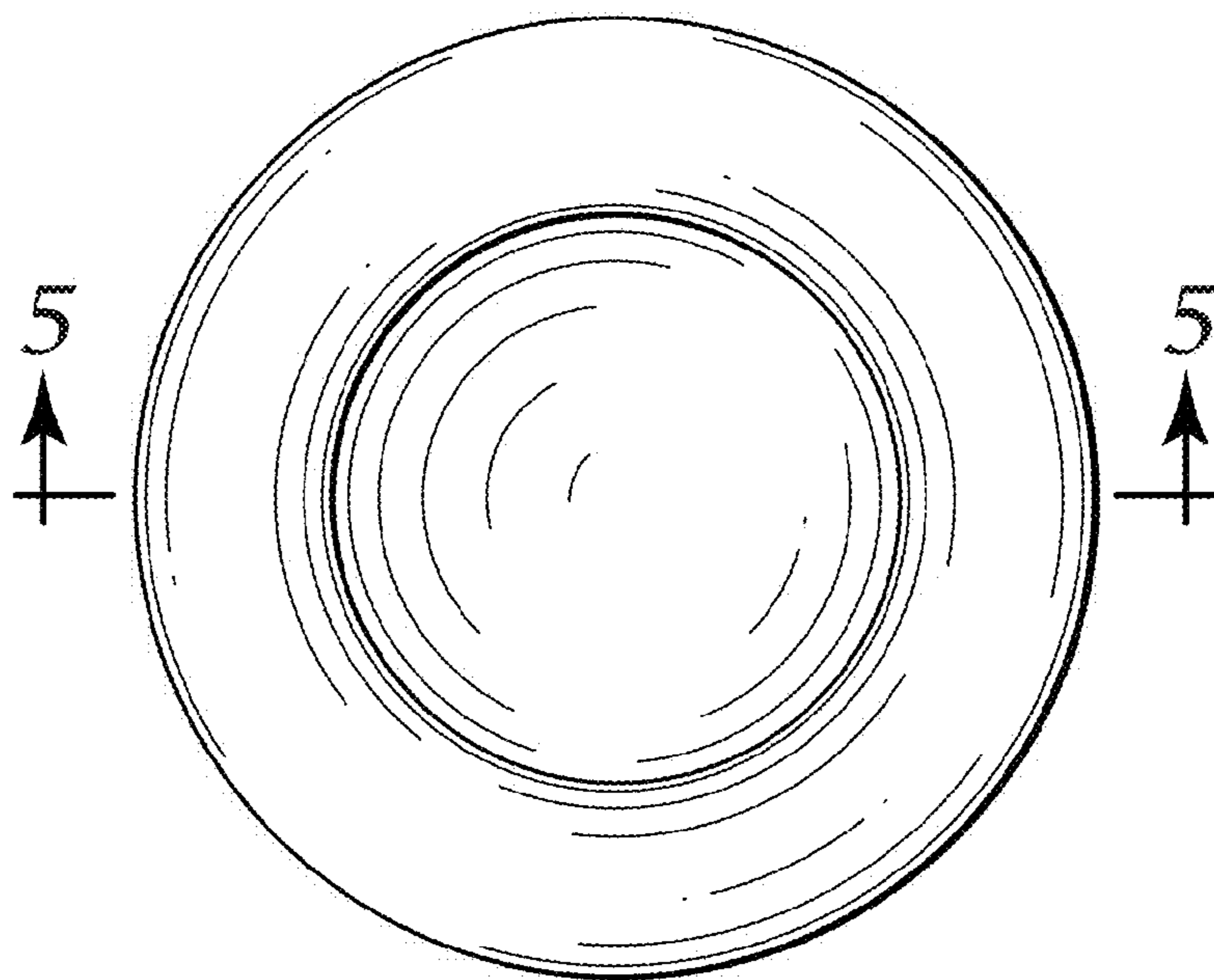


FIG. 2

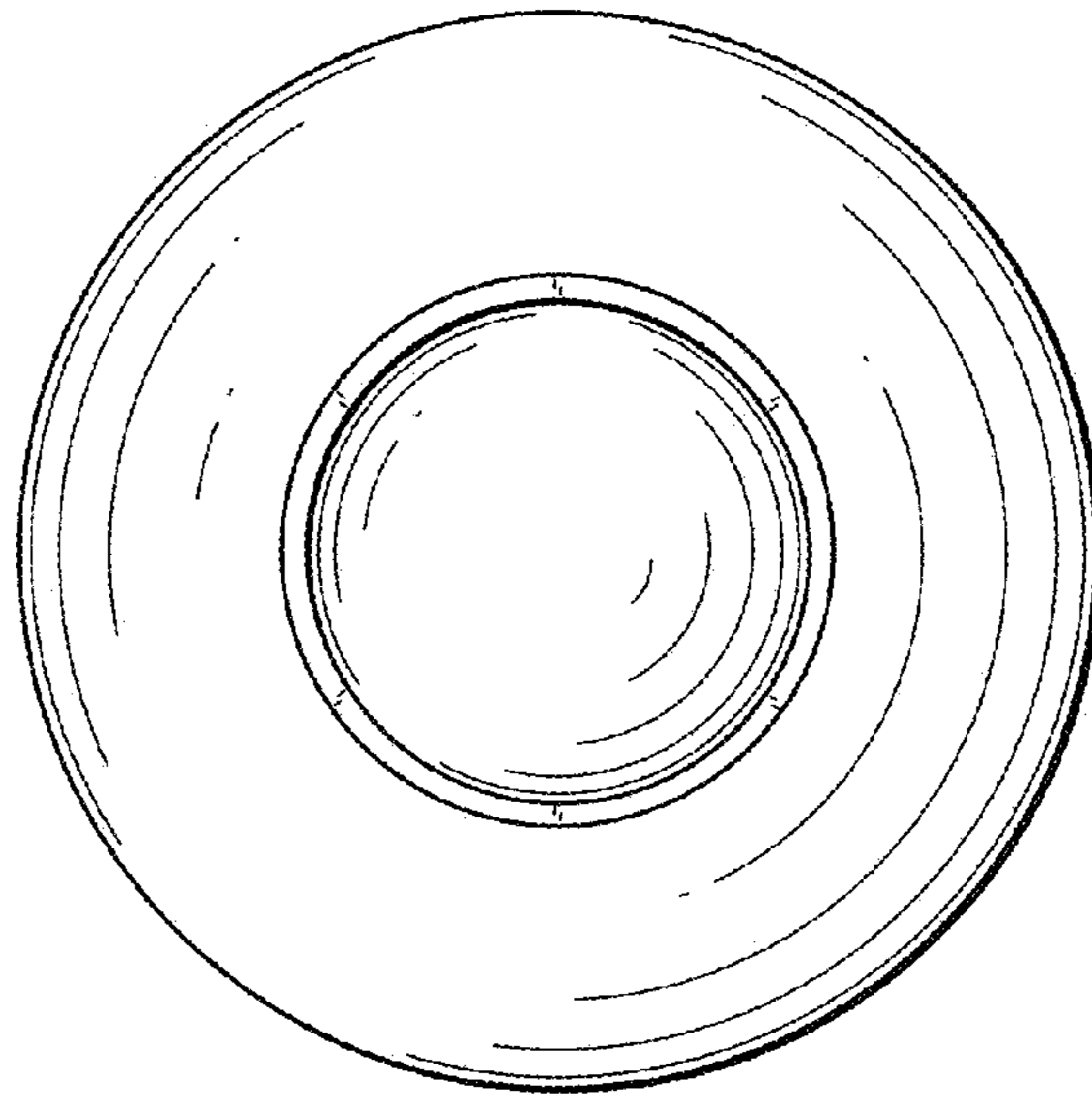


FIG. 3

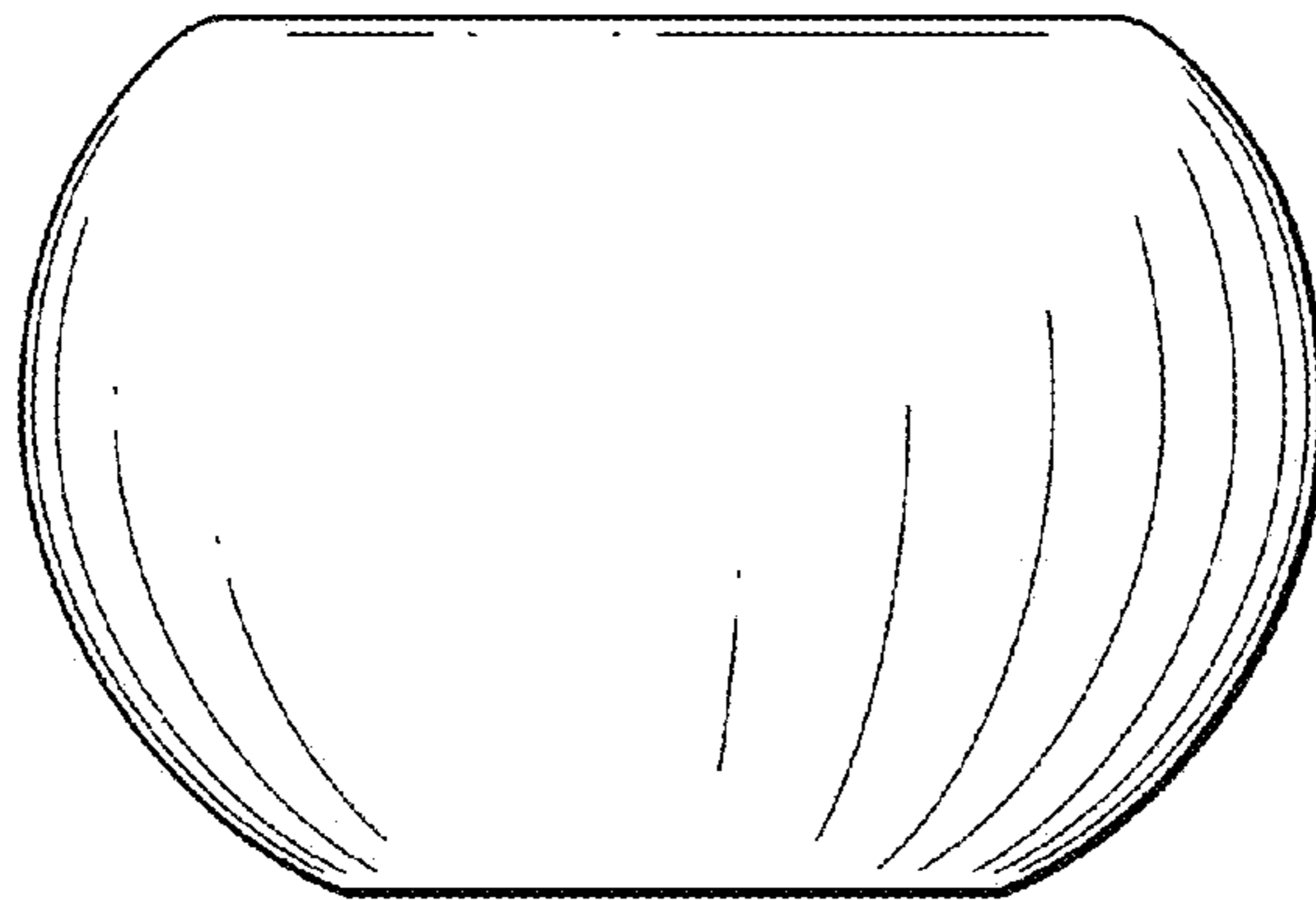


FIG. 4

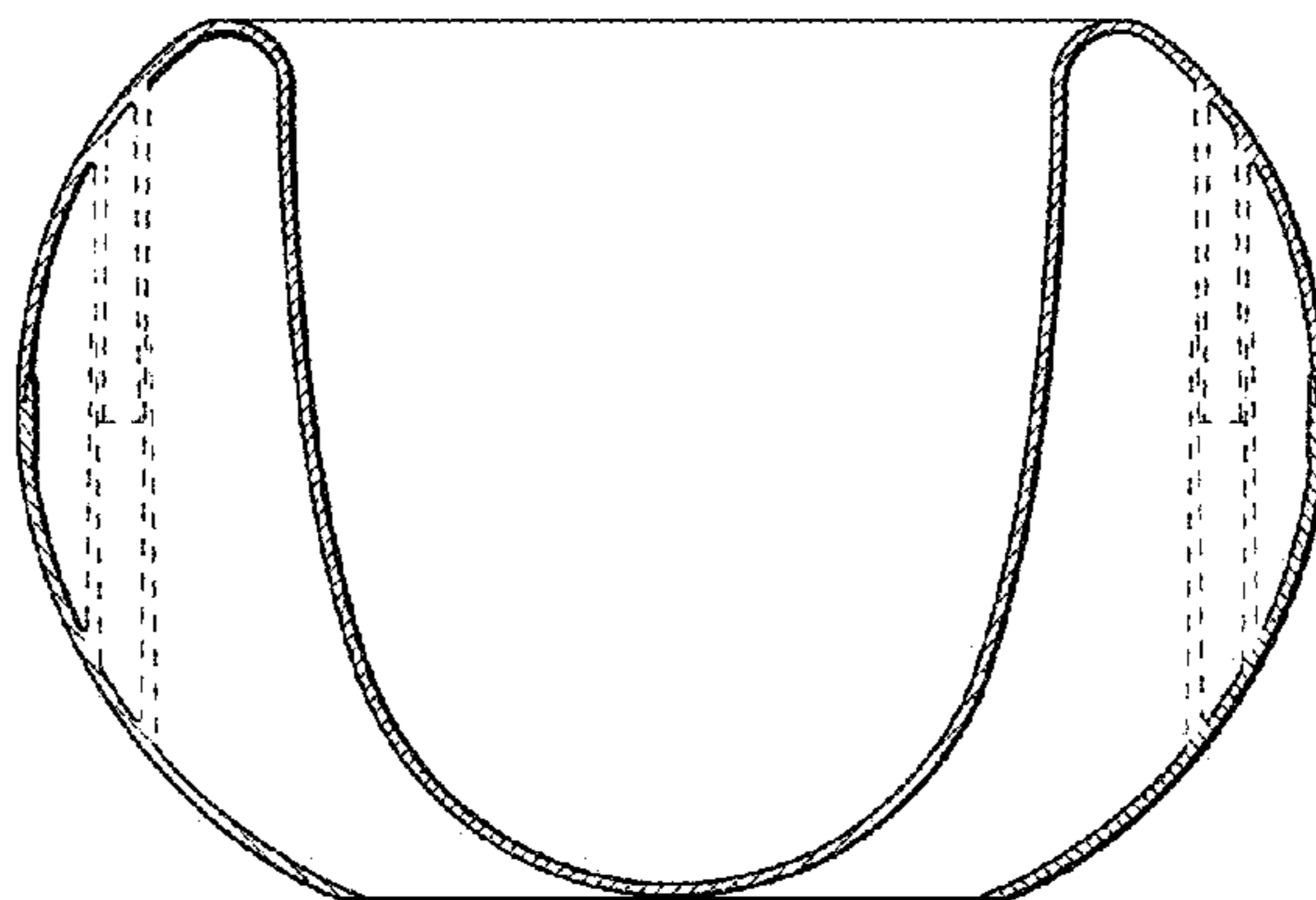


FIG. 5

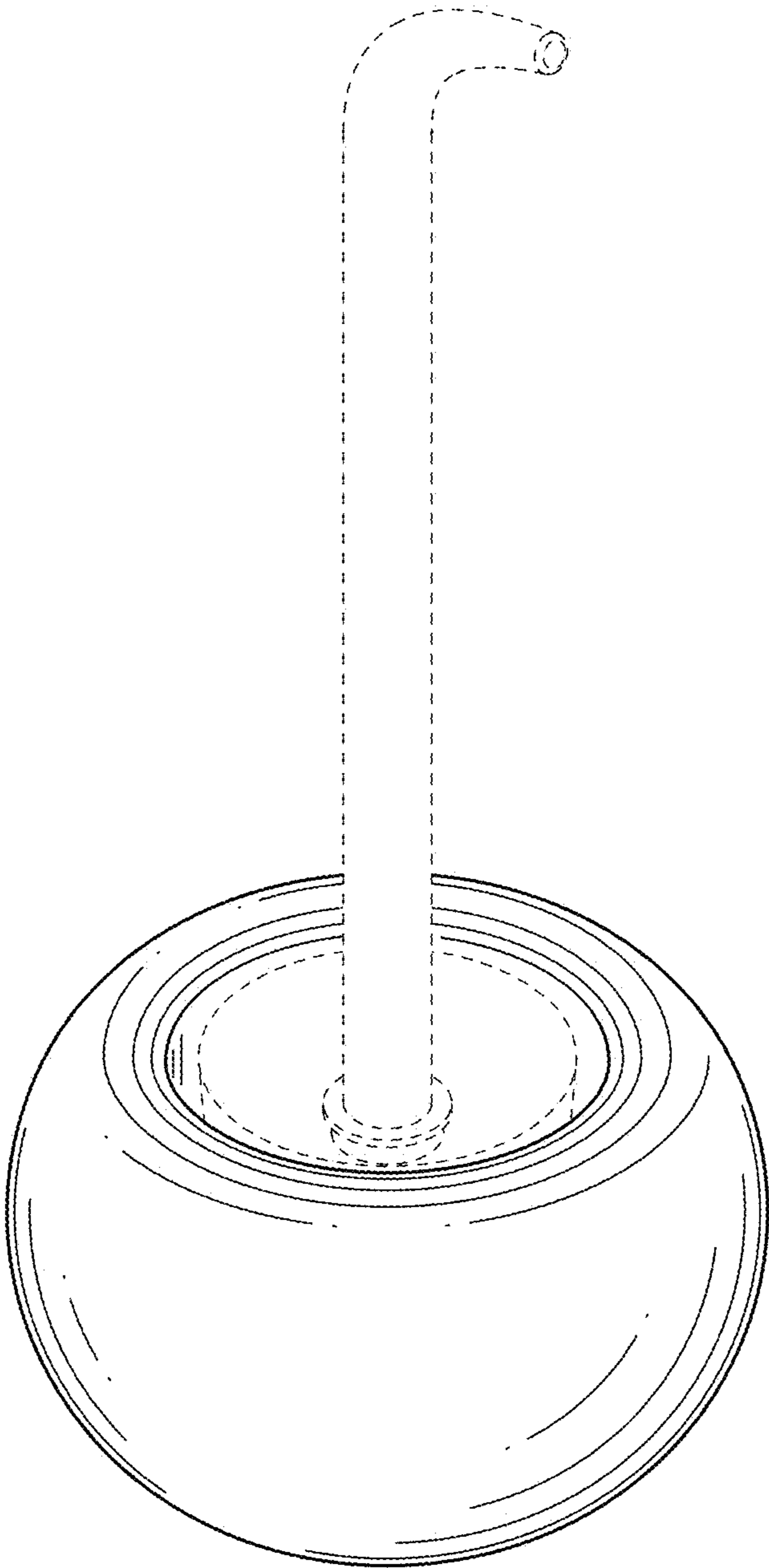


FIG. 6