



US00D720155S

(12) **United States Design Patent**
Watabe

(10) **Patent No.:** **US D720,155 S**

(45) **Date of Patent:** **** Dec. 30, 2014**

(54) **SOAP CASE**

(71) Applicant: **Kousuke Watabe**, Tokyo (JP)

(72) Inventor: **Kousuke Watabe**, Tokyo (JP)

(73) Assignee: **Shiseido Co., Ltd.**, Chuo-ku, Tokyo (JP)

(**) Term: **14 Years**

(21) Appl. No.: **29/493,676**

(22) Filed: **Jun. 12, 2014**

(51) **LOC (10) Cl.** **23-02**

(52) **U.S. Cl.**
USPC **D6/536**

(58) **Field of Classification Search**
USPC D6/536-540, 532; D7/502, 550, 554.2;
D9/682, 690, 692; 206/77.1, 557, 587,
206/823; 211/13.1, 85.4, 85.12, 88.01;
248/176.1

See application file for complete search history.

(56) **References Cited**

U.S. PATENT DOCUMENTS

D285,396 S * 9/1986 Odate D6/536
D302,832 S * 8/1989 King D6/536
D357,152 S * 4/1995 Bao et al. D6/536

D432,835 S * 10/2000 de Baschmakoff D6/536
D441,997 S * 5/2001 Lillelund et al. D6/536
D485,105 S * 1/2004 Loor D6/536
D545,100 S * 6/2007 Dretzka D6/536
D637,844 S * 5/2011 Kraemer D6/536
D642,839 S * 8/2011 Li D6/536

* cited by examiner

Primary Examiner — Brian N Vinson

(74) *Attorney, Agent, or Firm* — Manabu Kanesaka

(57) **CLAIM**

The ornamental design for a soap case, as shown and described.

DESCRIPTION

FIG. 1 is a first perspective view of a soap case showing my new design;
FIG. 2 is a second perspective view thereof;
FIG. 3 is a front view thereof;
FIG. 4 is a rear view thereof;
FIG. 5 is a left side view thereof;
FIG. 6 is a right side view thereof;
FIG. 7 is a plan view thereof; and,
FIG. 8 is a bottom view thereof.

1 Claim, 4 Drawing Sheets

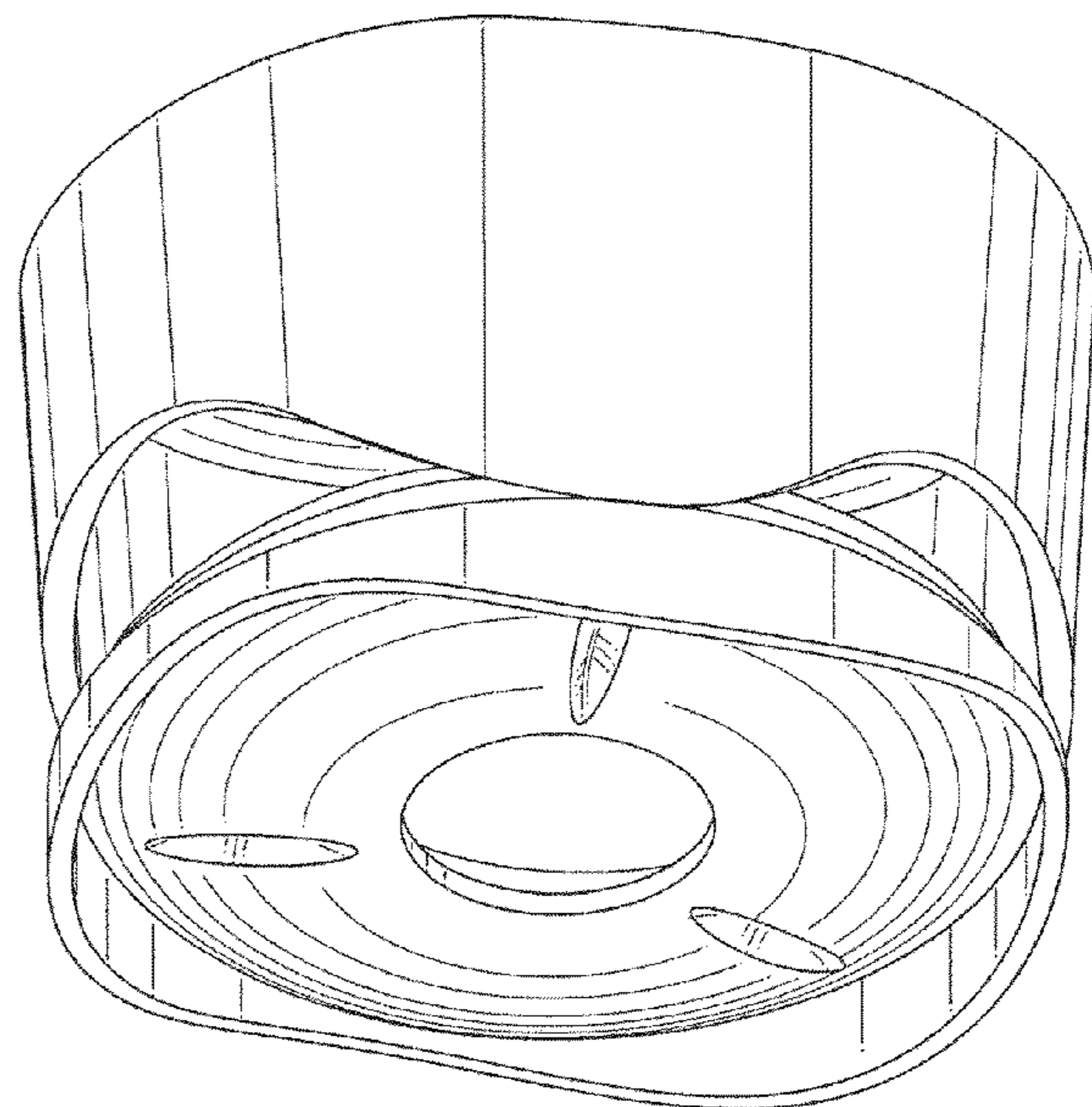
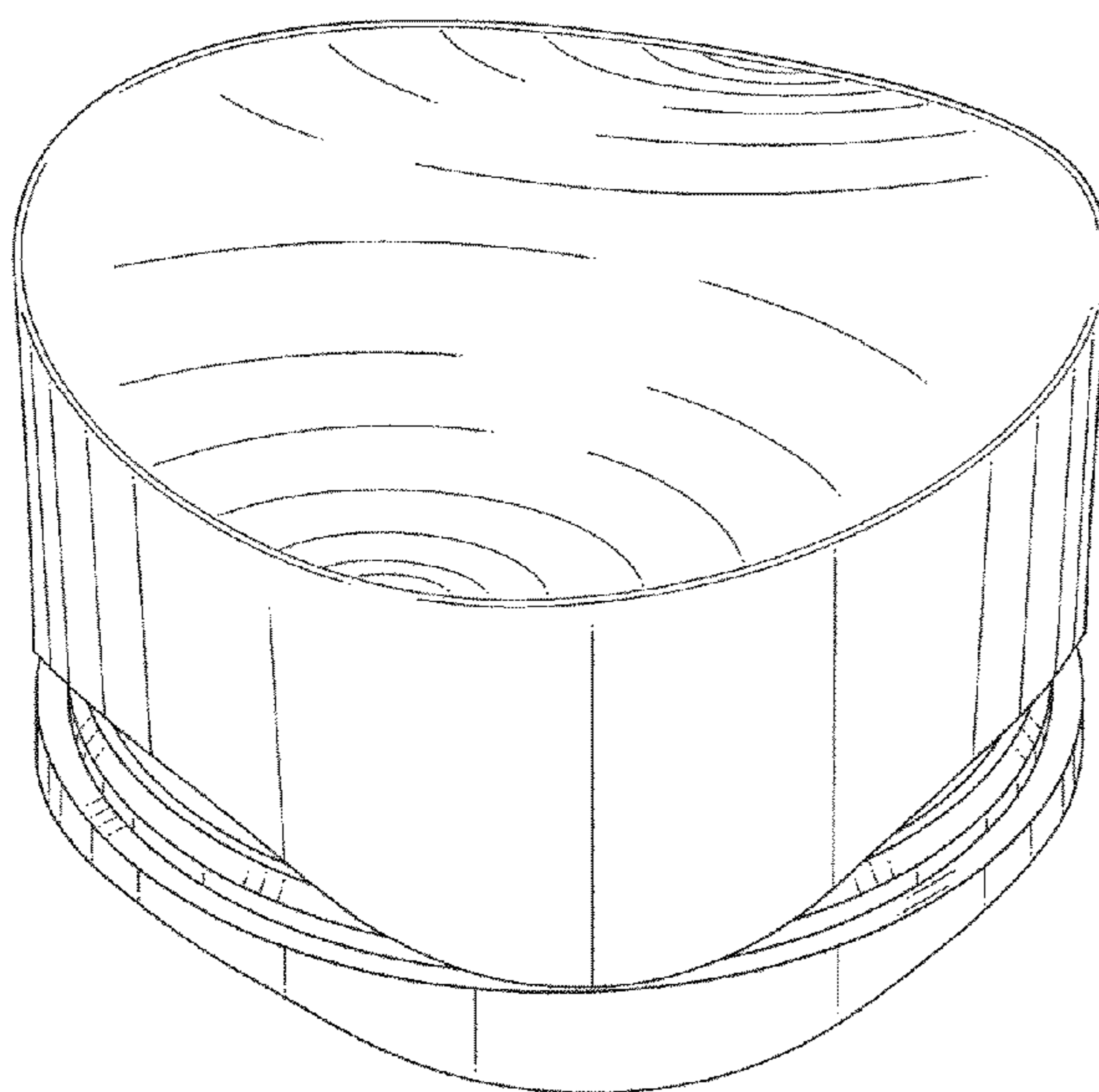


Fig. 1

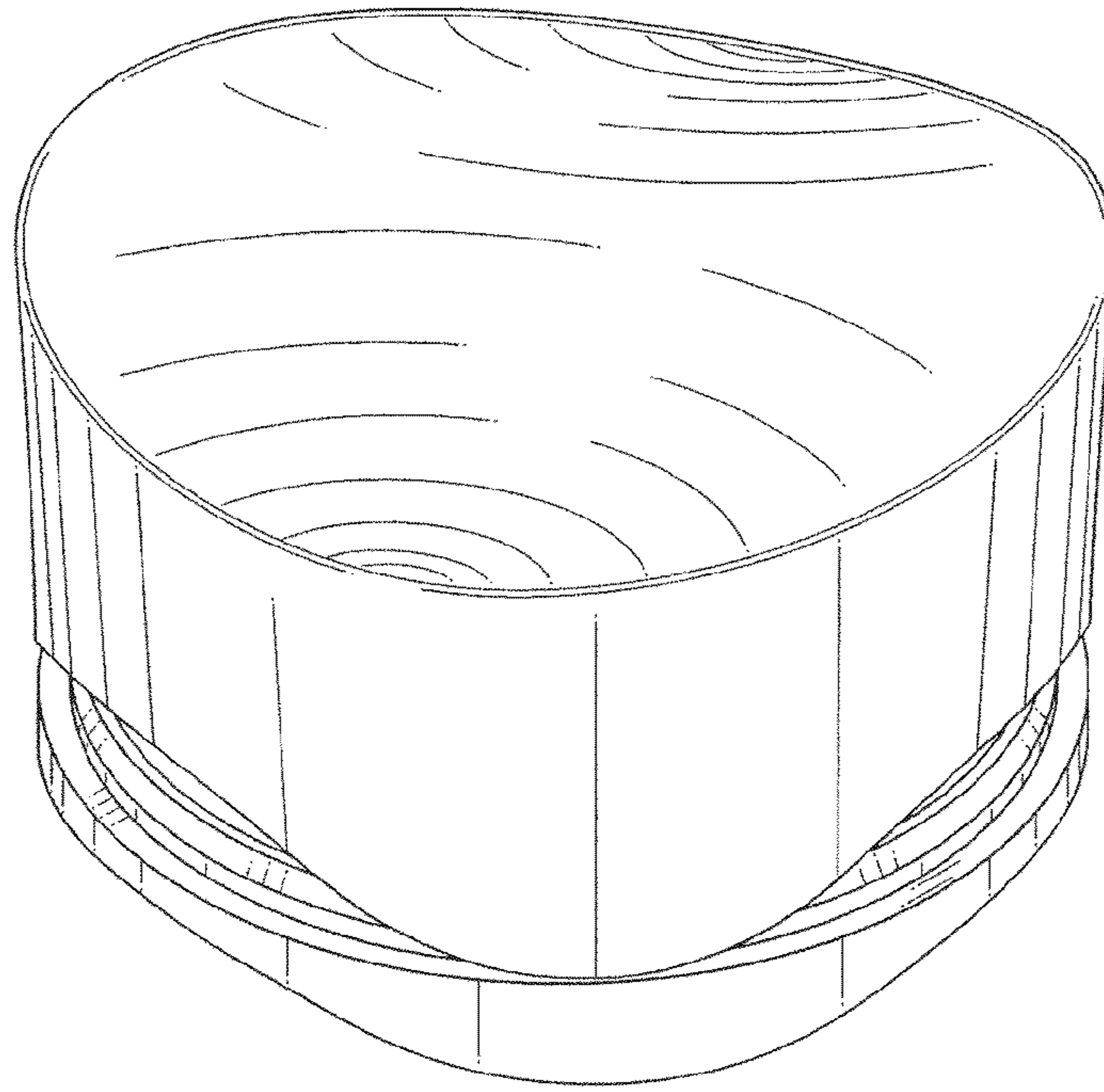


Fig. 2

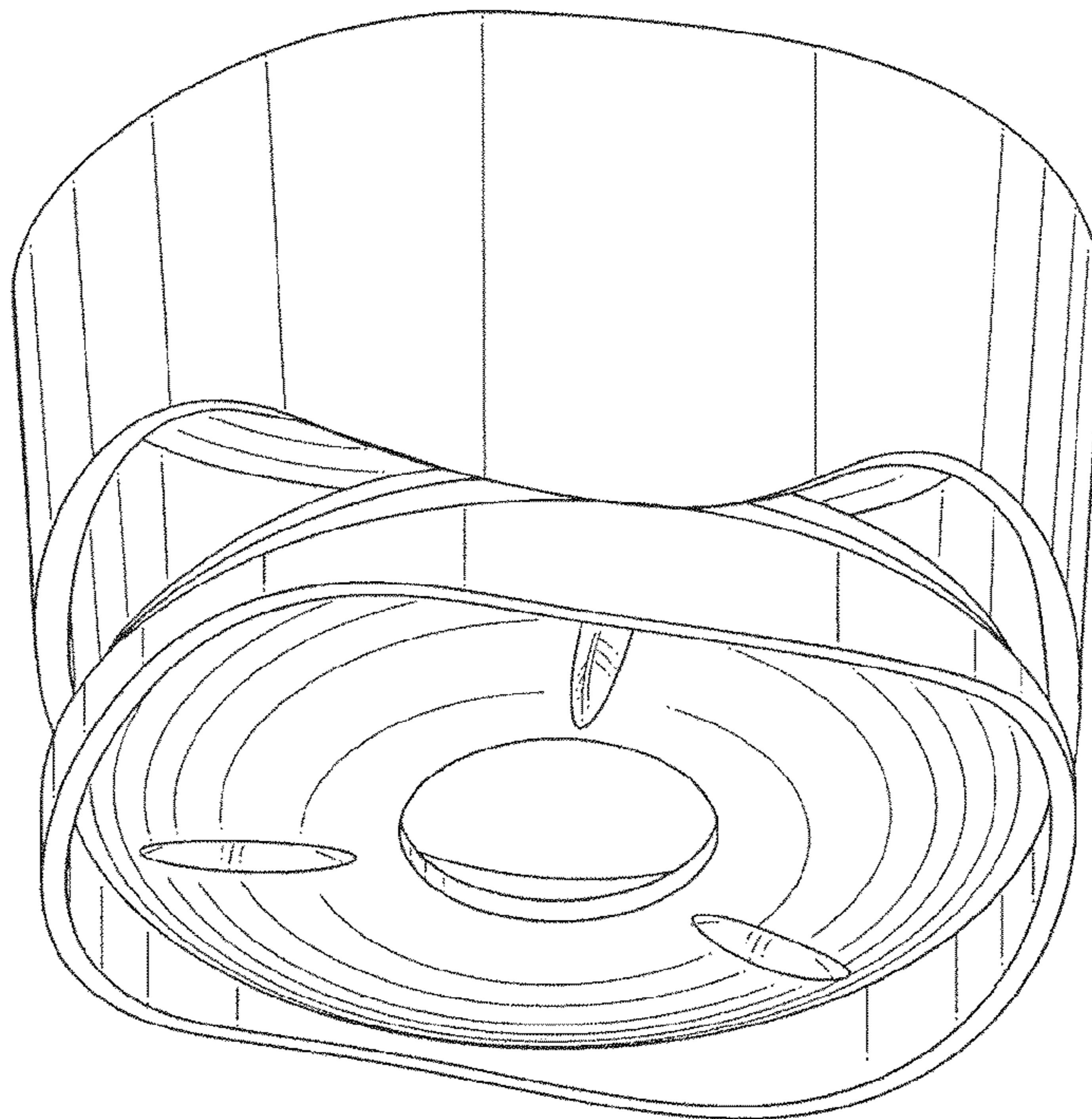


Fig. 3

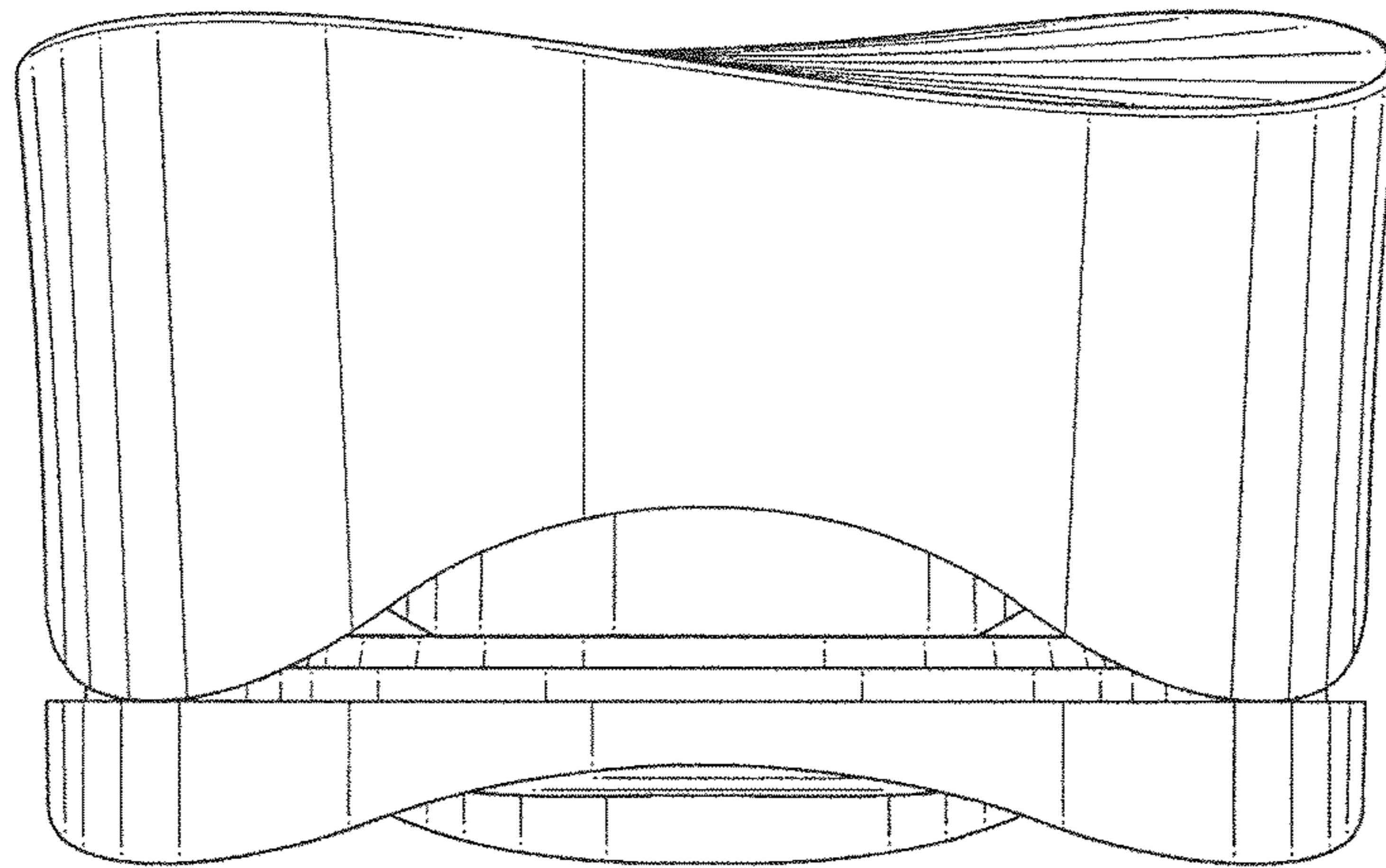


Fig. 4

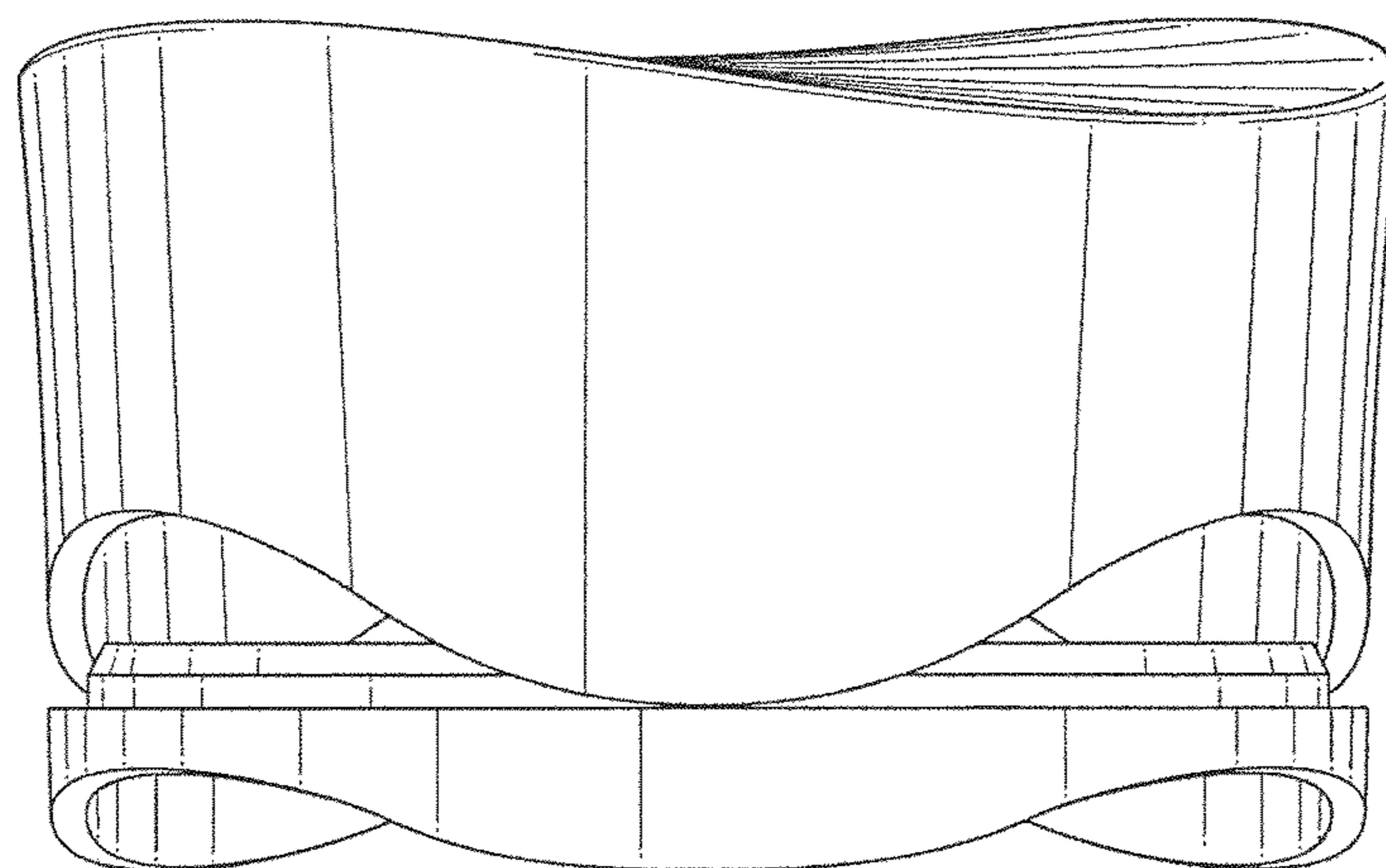


Fig. 5

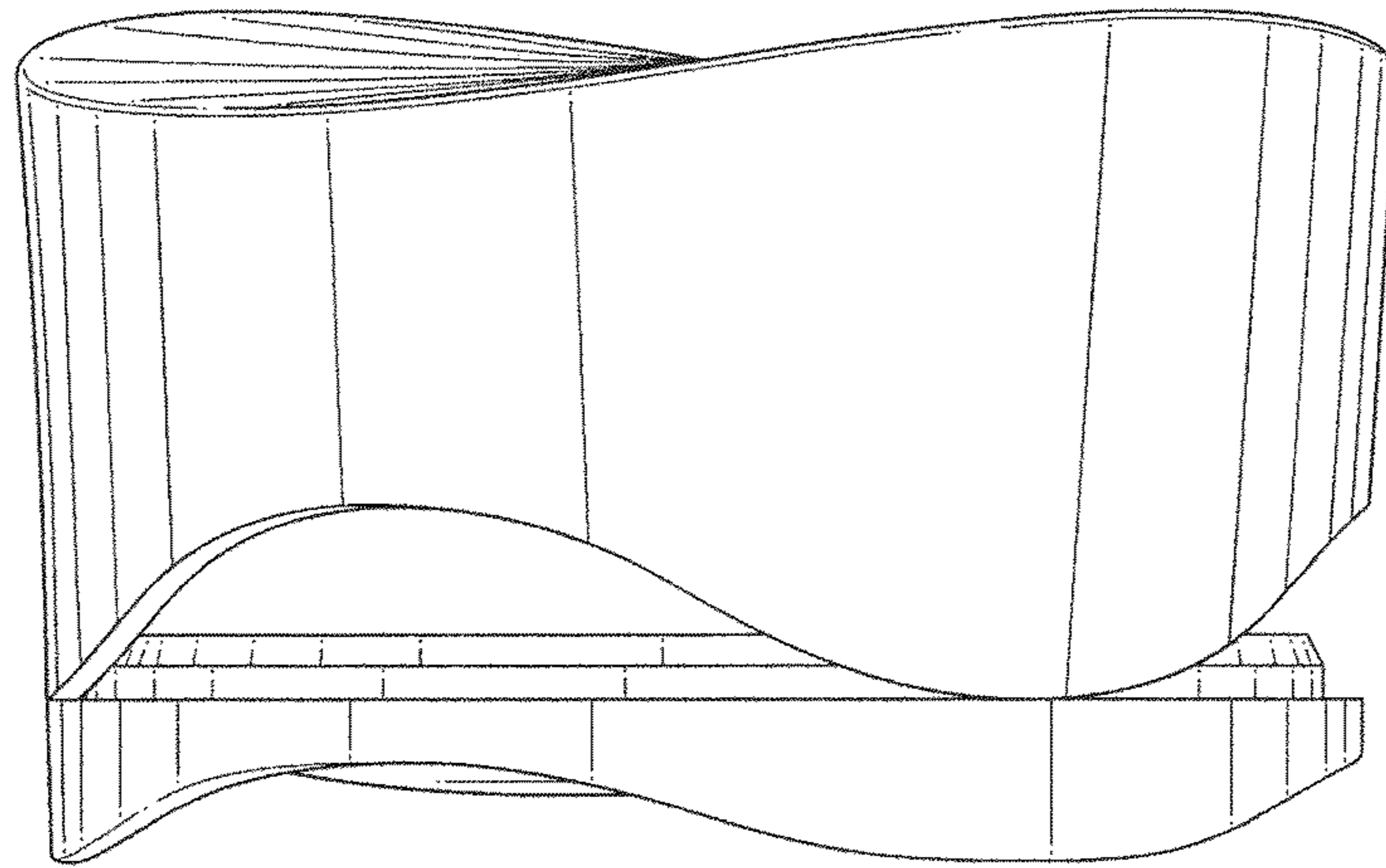


Fig. 6

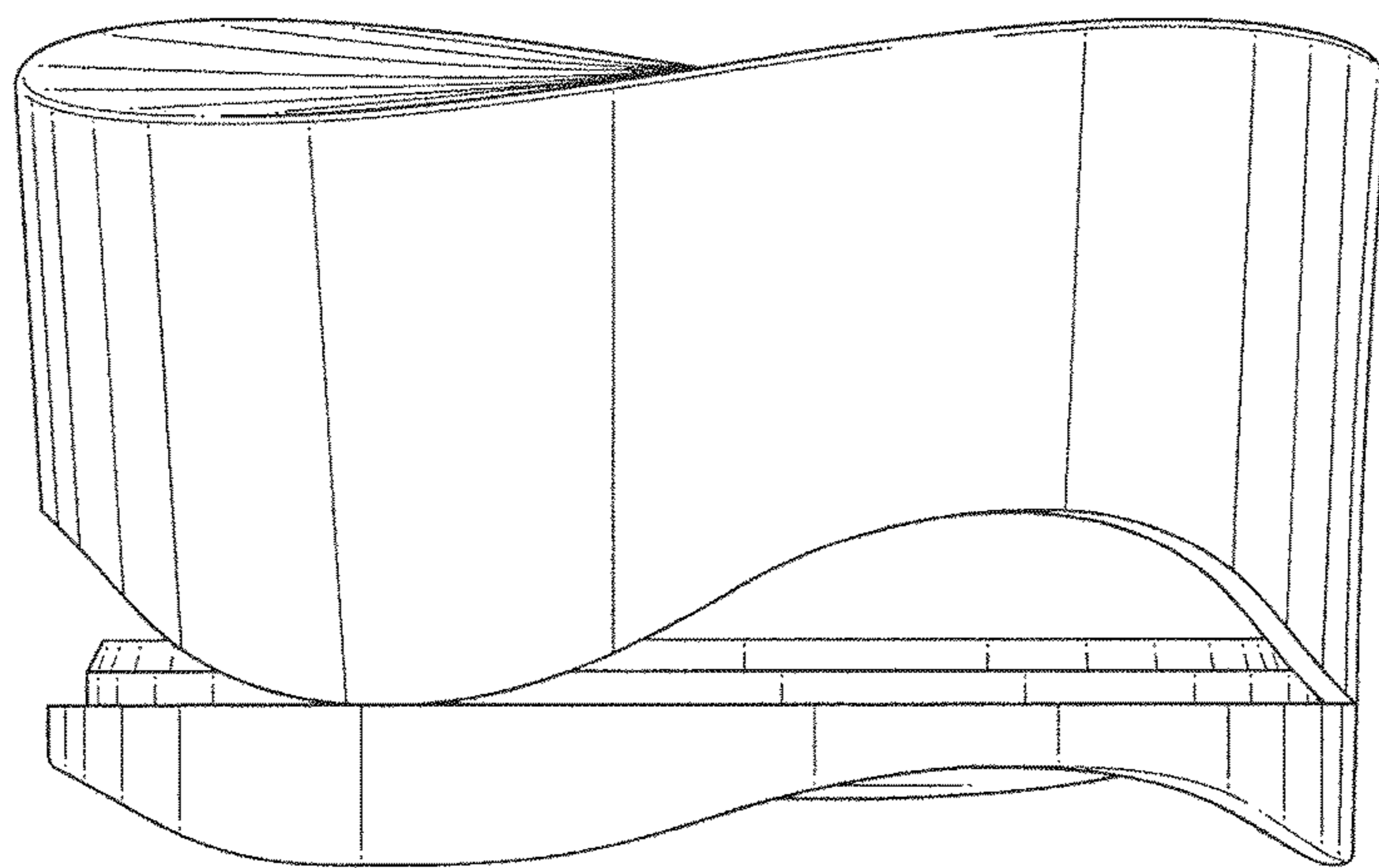


Fig. 7

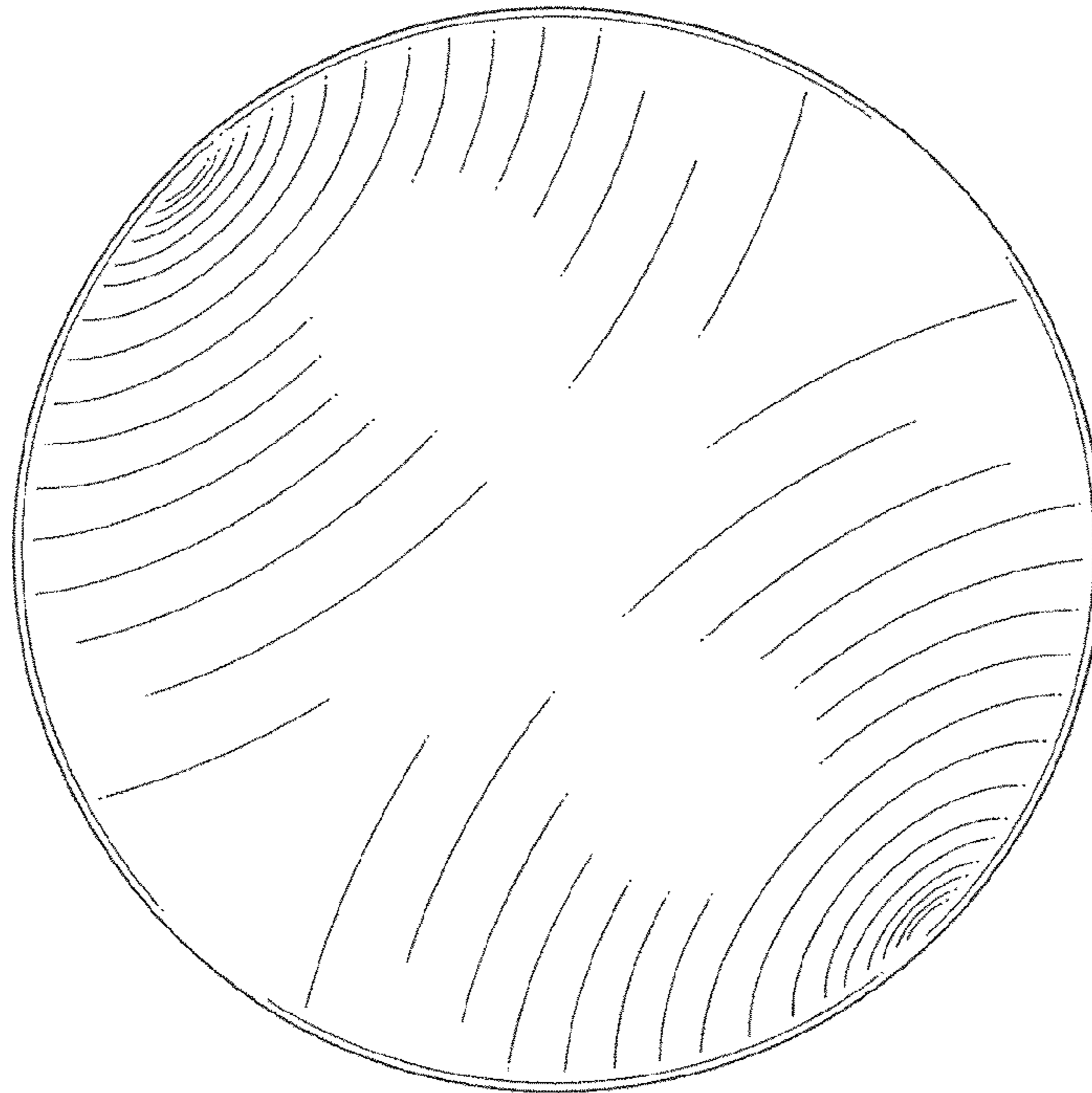


Fig. 8

