



US00D720150S

(12) **United States Design Patent**
Tanzer

(10) **Patent No.:** **US D720,150 S**
(45) **Date of Patent:** **** Dec. 30, 2014**

(54) **FURNITURE ITEM**

DESCRIPTION

(71) Applicant: **Merkez Celik Sanayi Ve Ticaret Anonim Sirketi**

(72) Inventor: **Osman Tanzer, Kayseri (TR)**

(73) Assignee: **Merkez Celik Sanayi Ve Ticaret Anonim Sirketi, Kayseri (TR)**

(**) Term: **14 Years**

(21) Appl. No.: **29/501,237**

(22) Filed: **Sep. 2, 2014**

(51) **LOC (10) Cl.** **06-01**

(52) **U.S. Cl.**
USPC **D6/381; D6/334**

(58) **Field of Classification Search**

CPC **A47C 17/00; A47C 17/02; A47C 17/12; A47C 17/18; A47C 7/021; A47C 31/00; A47C 3/16**

USPC **D6/334, 335, 336, 381; 297/94, 118, 297/188.01, 445.1, 448.1, 452.11, DIG. 7, 297/DIG. 8**

See application file for complete search history.

(56) **References Cited**

U.S. PATENT DOCUMENTS

D360,311 S * 7/1995 Stamberg et al. D6/334
D432,336 S * 10/2000 Gibson D6/500

(Continued)

Primary Examiner — Sandra Snapp

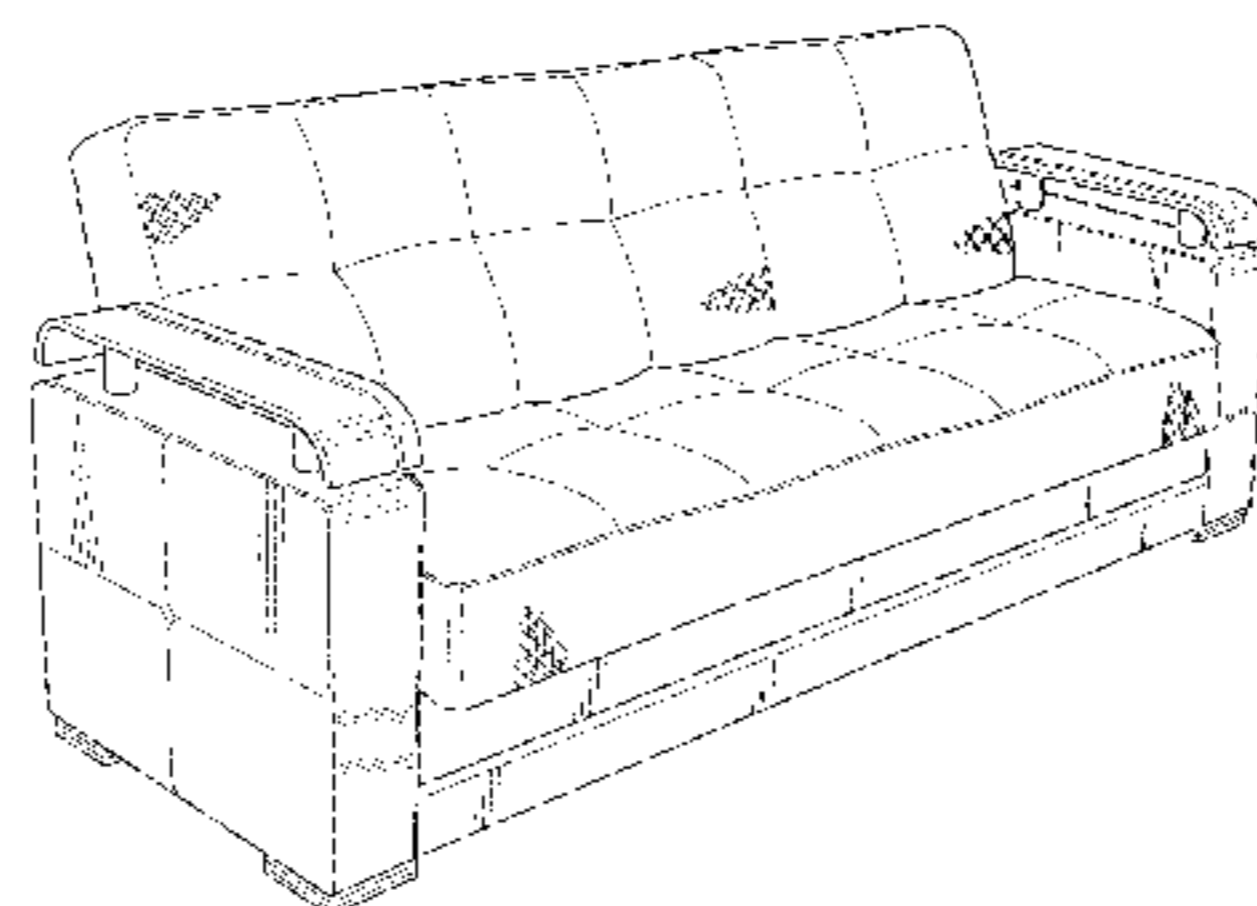
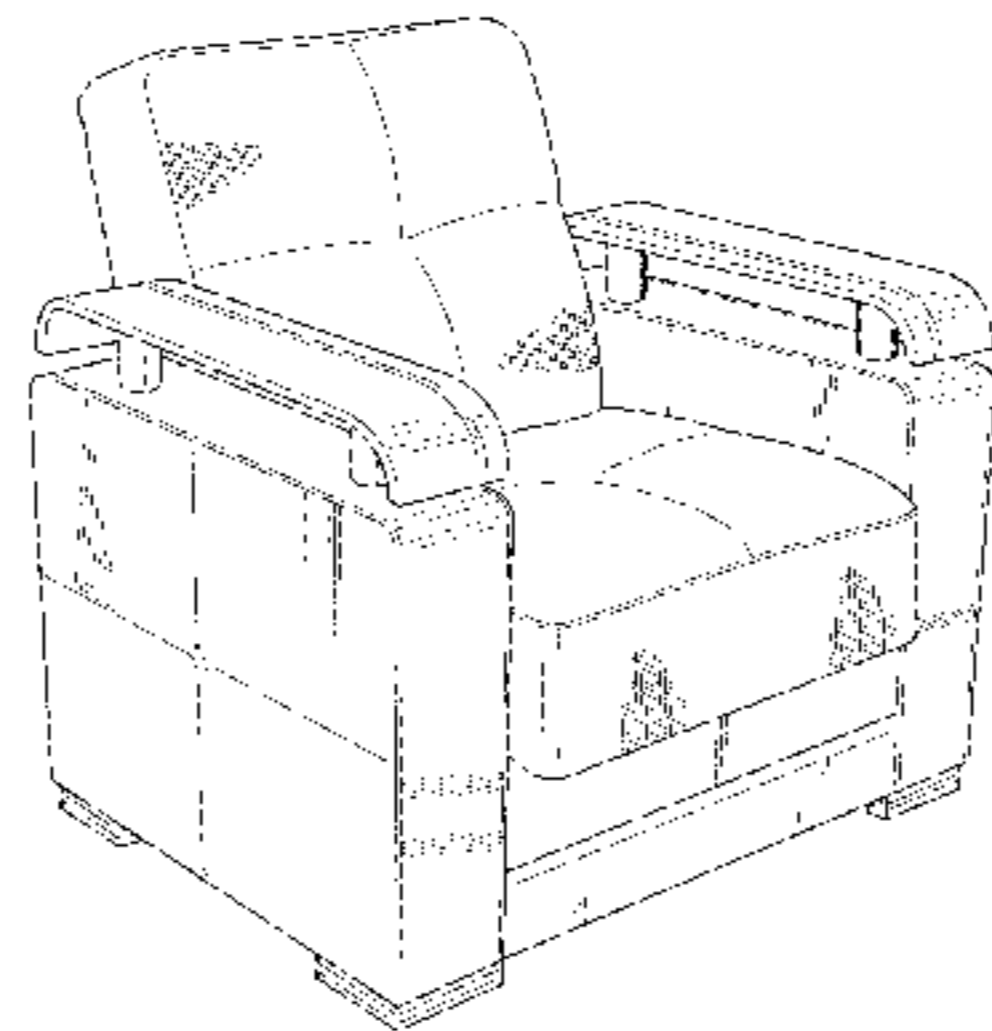
(74) *Attorney, Agent, or Firm* — Inventa Capital PLC

(57) **CLAIM**

The ornamental design for a furniture item, as shown and described.

FIG. 1 is a perspective view of a first embodiment of a furniture item of the present invention;
FIG. 2 is a perspective front view of the furniture item;
FIG. 3 is a perspective rear view of the furniture item;
FIG. 4 is a perspective top view of the furniture item;
FIG. 5 is a perspective right side view of the furniture item;
FIG. 6 is a perspective left side view of the furniture item;
FIG. 7 is a perspective bottom view of the furniture item;
FIG. 8 is a perspective view of a second embodiment of the furniture item of the present invention;
FIG. 9 is another perspective front view of the furniture item;
FIG. 10 is another perspective rear view of the furniture item;
FIG. 11 is another perspective top view of the furniture item;
FIG. 12 is another perspective right side view of the furniture item;
FIG. 13 is another perspective left side view of the furniture item;
FIG. 14 is another perspective bottom view of the furniture item;
FIG. 15 is a perspective view of a third embodiment of the furniture item of the present invention;
FIG. 16 is another perspective front view of the furniture item;
FIG. 17 is another perspective rear view of the furniture item;
FIG. 18 is another perspective top view of the furniture item;
FIG. 19 is another perspective right side view of the furniture item;
FIG. 20 is another perspective left side view of the furniture item; and,
FIG. 21 is another perspective bottom view of the furniture item.
The broken lines shown in the drawings are for illustrative purposes only and form no part of the claimed design. The crisscross pattern of lines in the drawings represents material that is understood to be distributed uniformly over the surface of the furniture item.

1 Claim, 21 Drawing Sheets



(56)

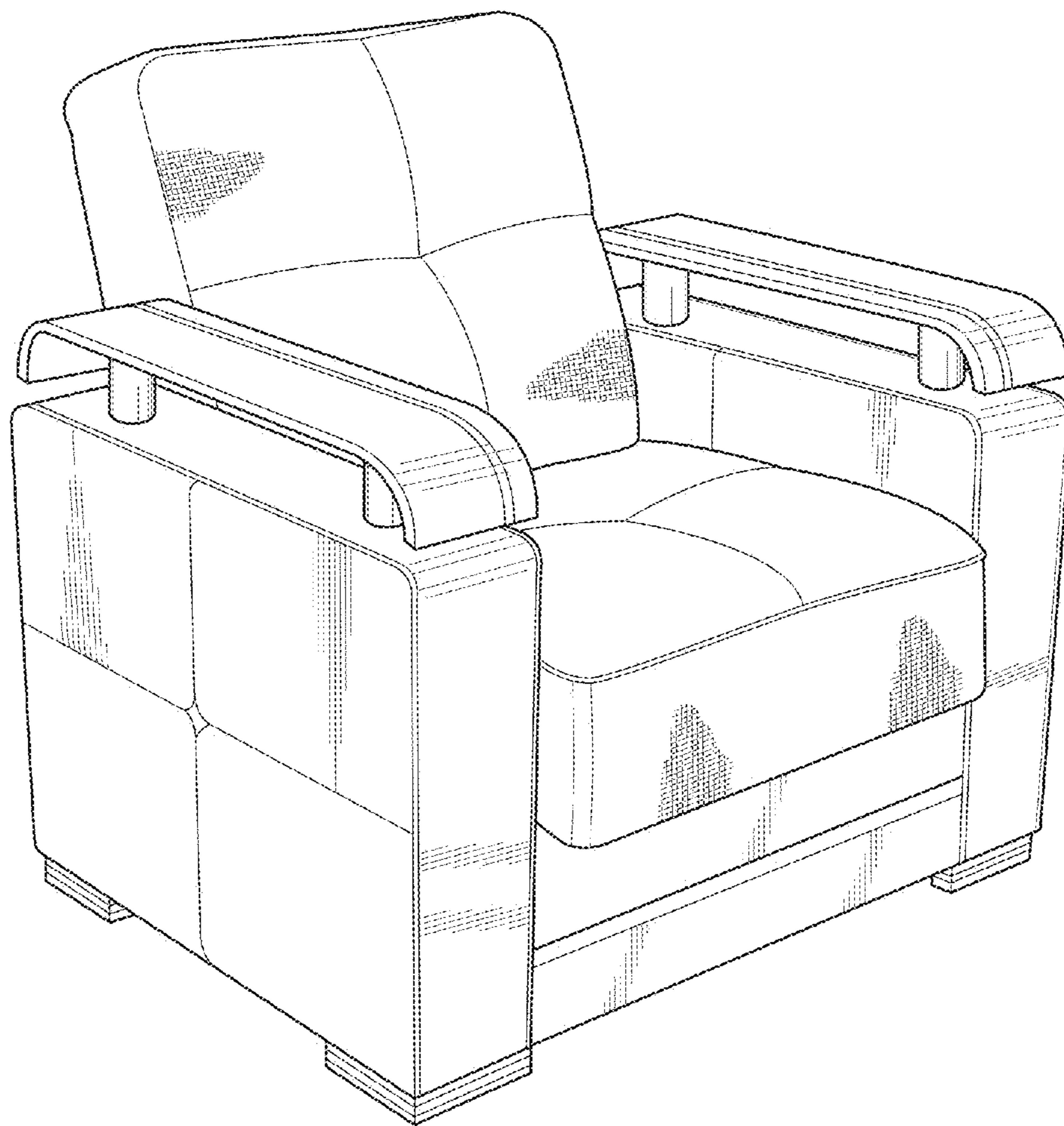
References Cited

U.S. PATENT DOCUMENTS

D462,533 S *	9/2002	Popham et al.	D6/334	D535,483 S *	1/2007	Hutton	D6/334
D476,822 S *	7/2003	Schweikarth	D6/381	D546,571 S *	7/2007	Ricci	D6/334
D486,652 S *	2/2004	Nemeth	D6/334	D549,470 S *	8/2007	Hutton	D6/334
D491,756 S *	6/2004	Nemeth	D6/492	D580,664 S *	11/2008	Cramer et al.	D6/334
D495,512 S *	9/2004	Diaz-Azcuy	D6/369	D593,766 S *	6/2009	Natuzzi	D6/381
D498,598 S *	11/2004	Schweikarth et al.	D6/334	D626,757 S *	11/2010	Crockett	D6/334
D506,323 S *	6/2005	White, III	D6/334	D666,424 S *	9/2012	Carter, III	D6/334
					D677,925 S *	3/2013	Banda	D6/381
					D694,546 S *	12/2013	George	D6/381

* cited by examiner

FIG. 1



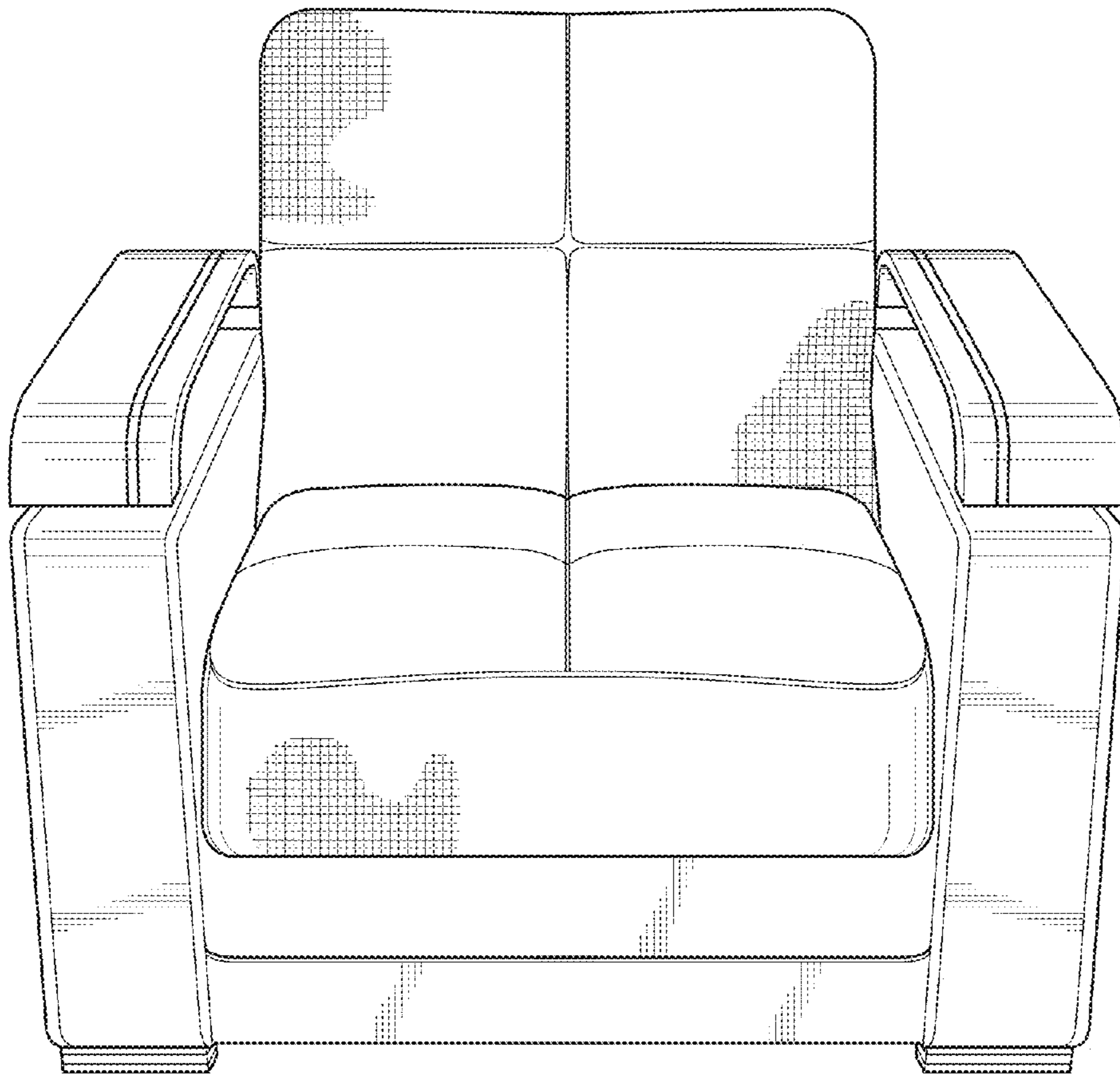


FIG. 2

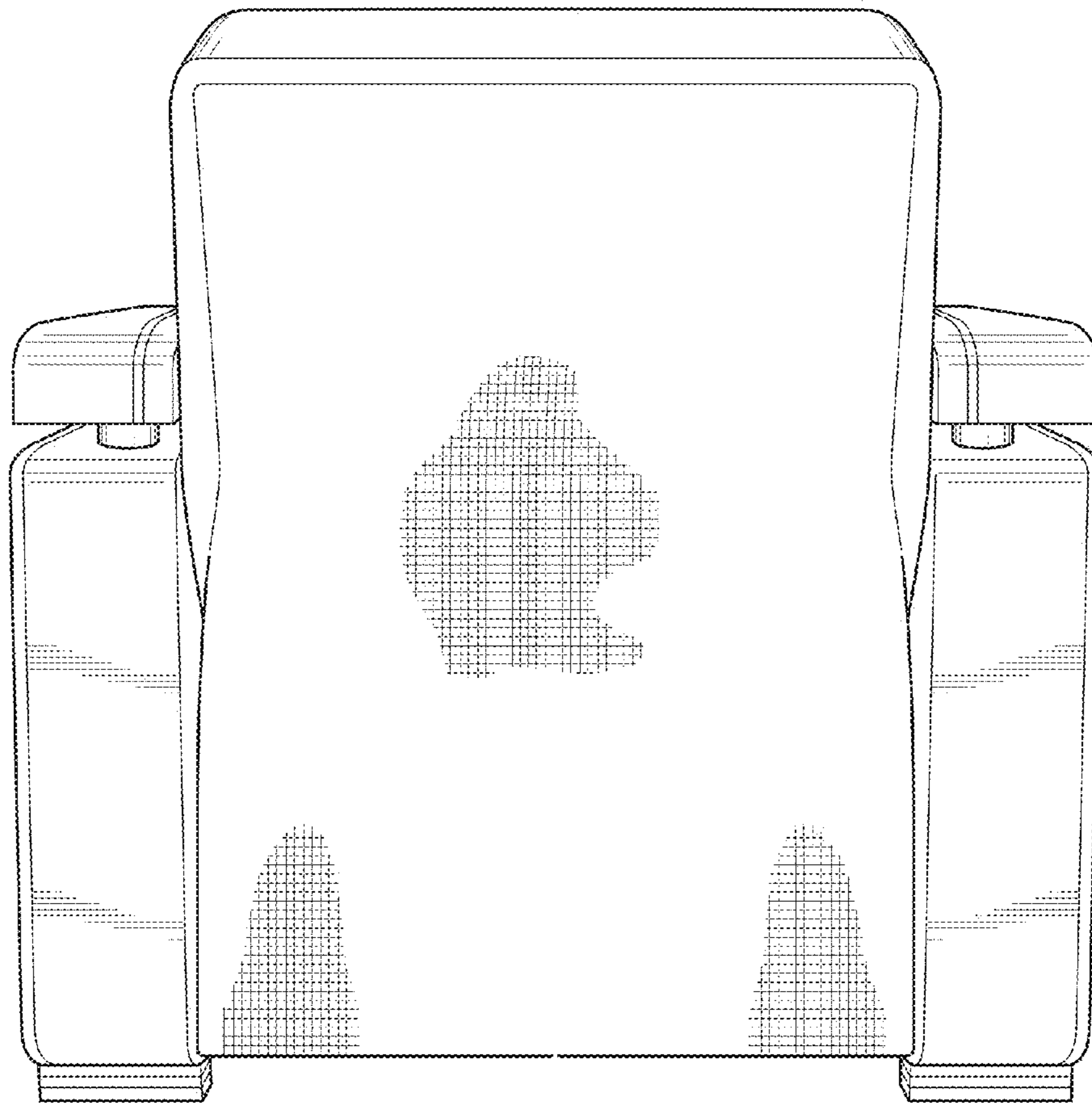


FIG. 3

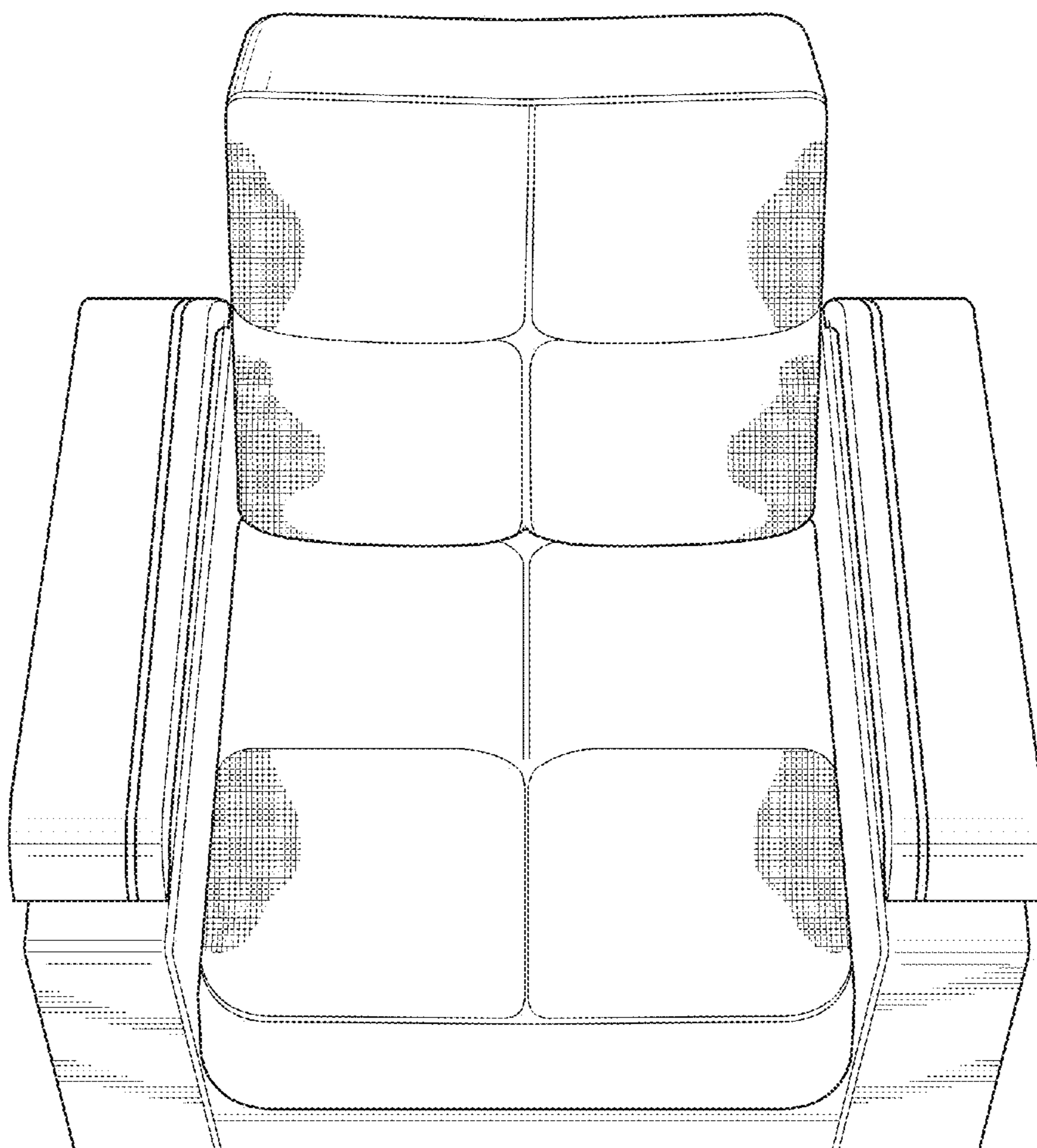


FIG. 4

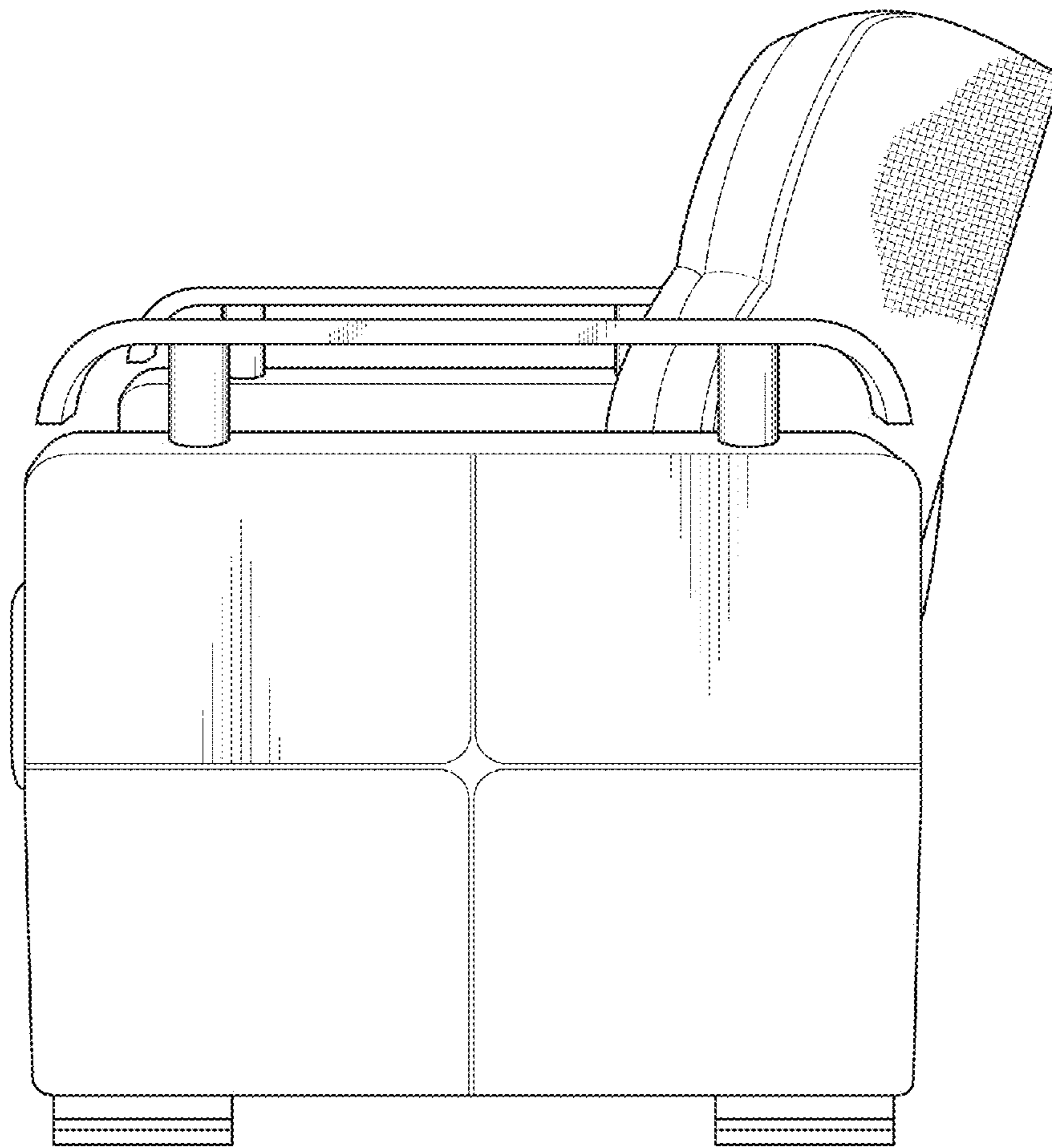


FIG. 5

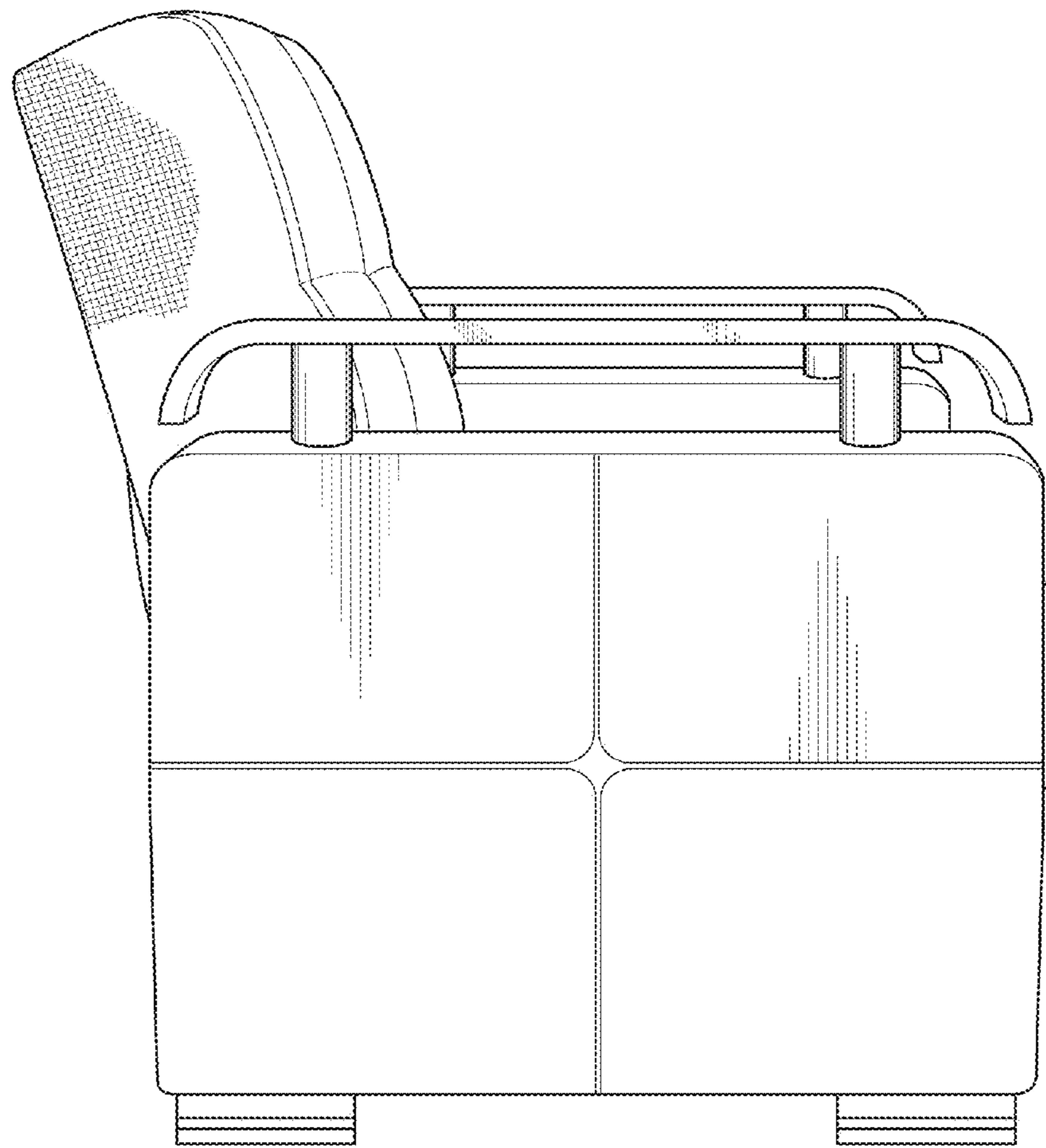


FIG. 6

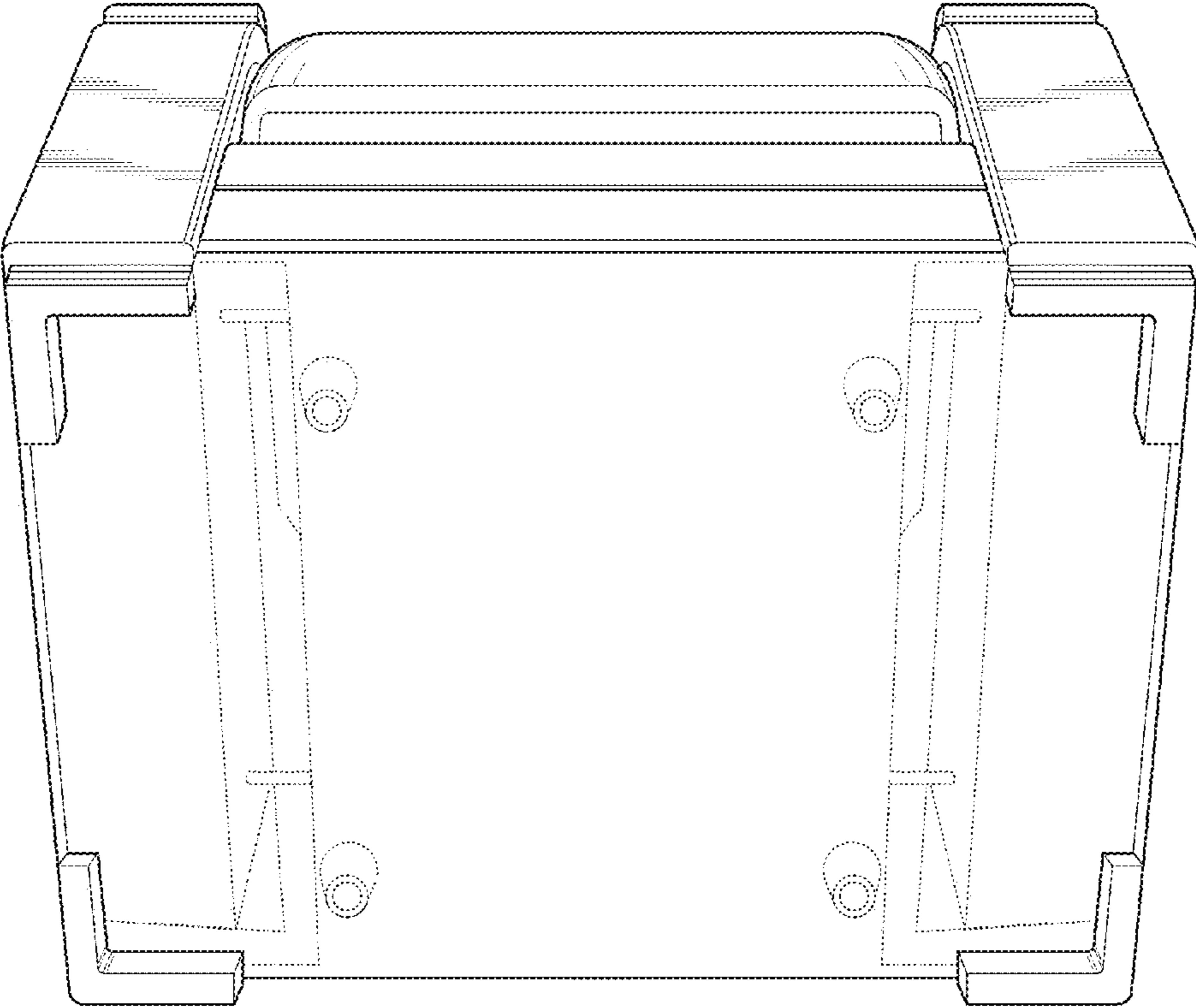
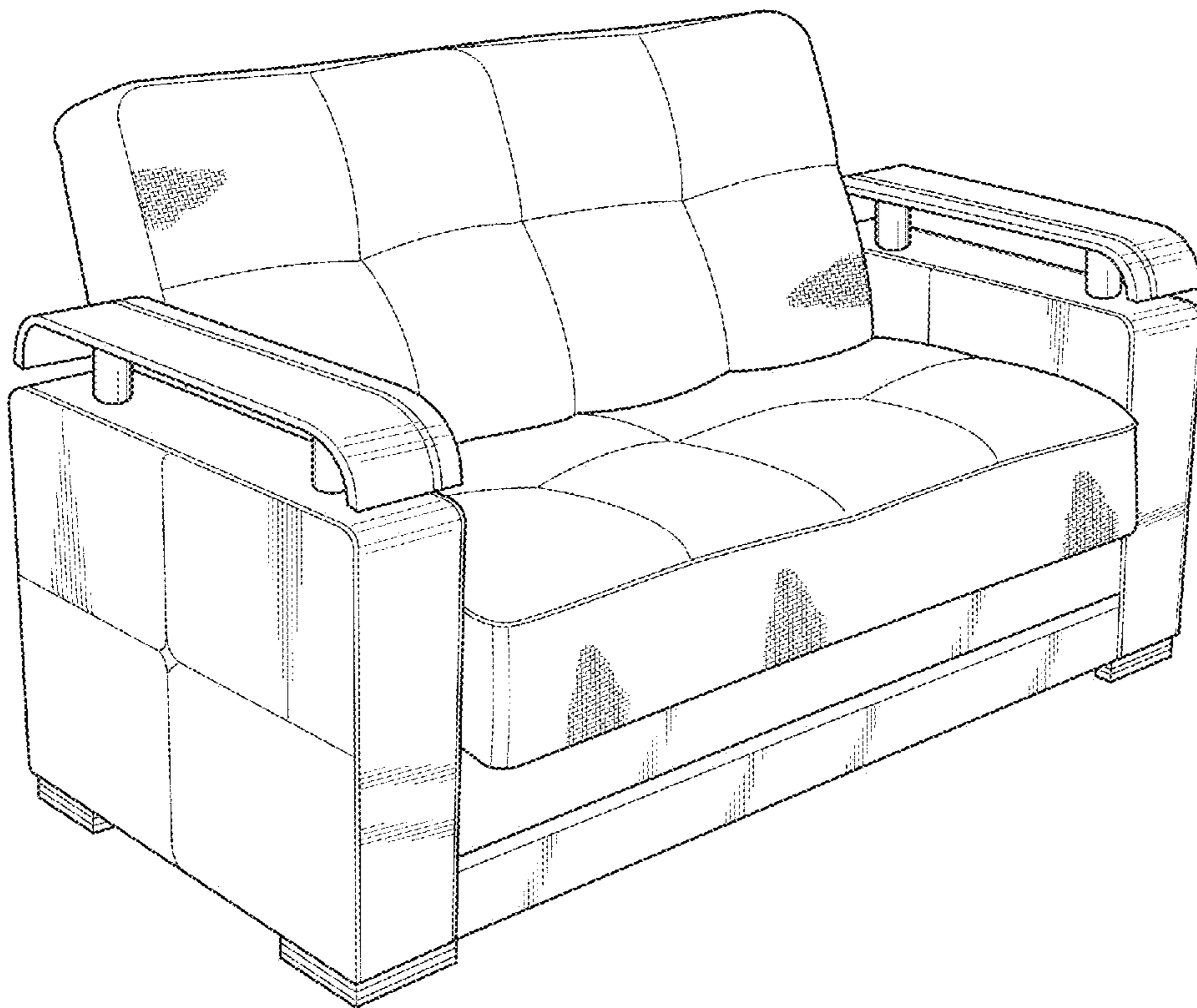


FIG. 7

FIG. 8



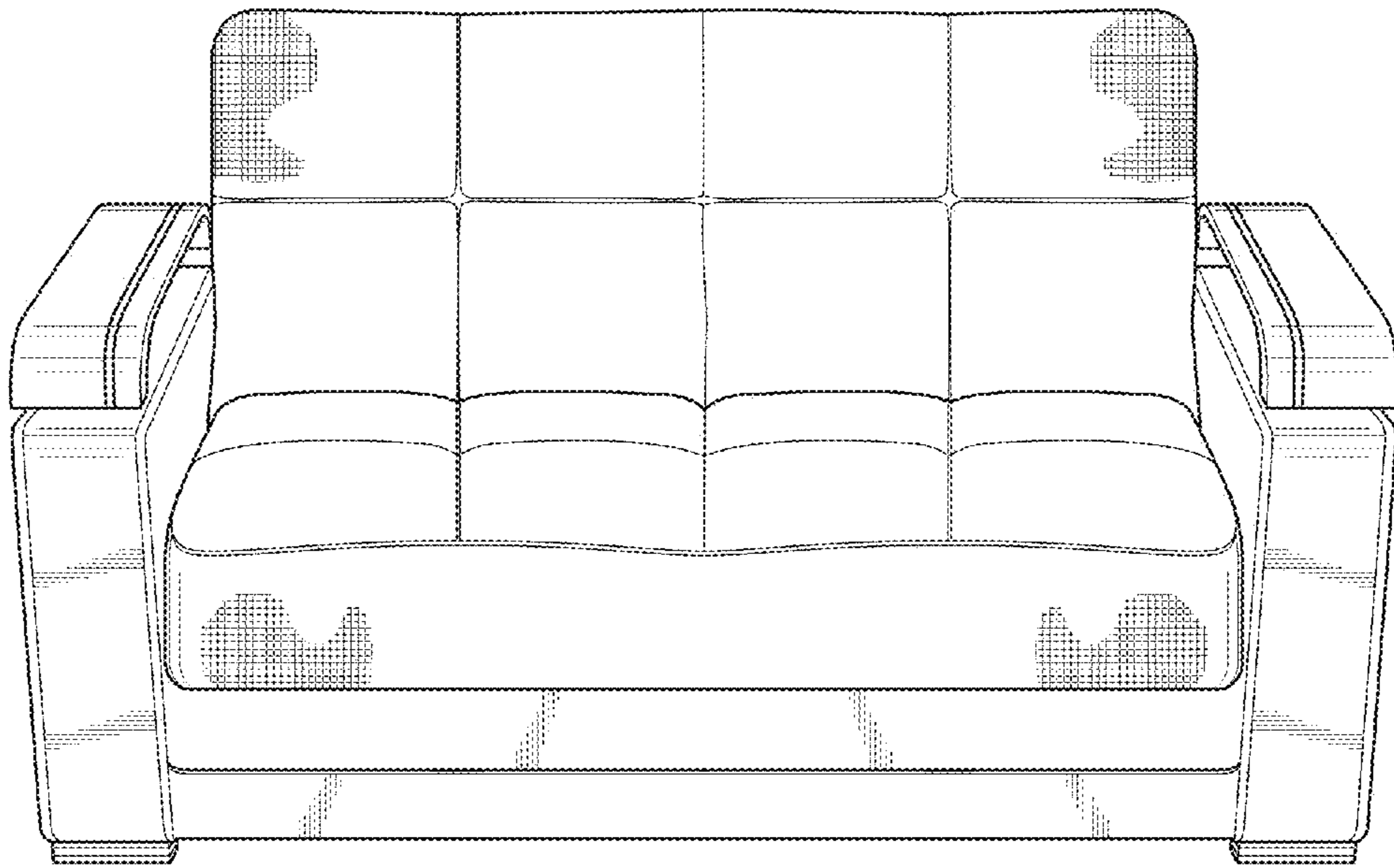


FIG. 9

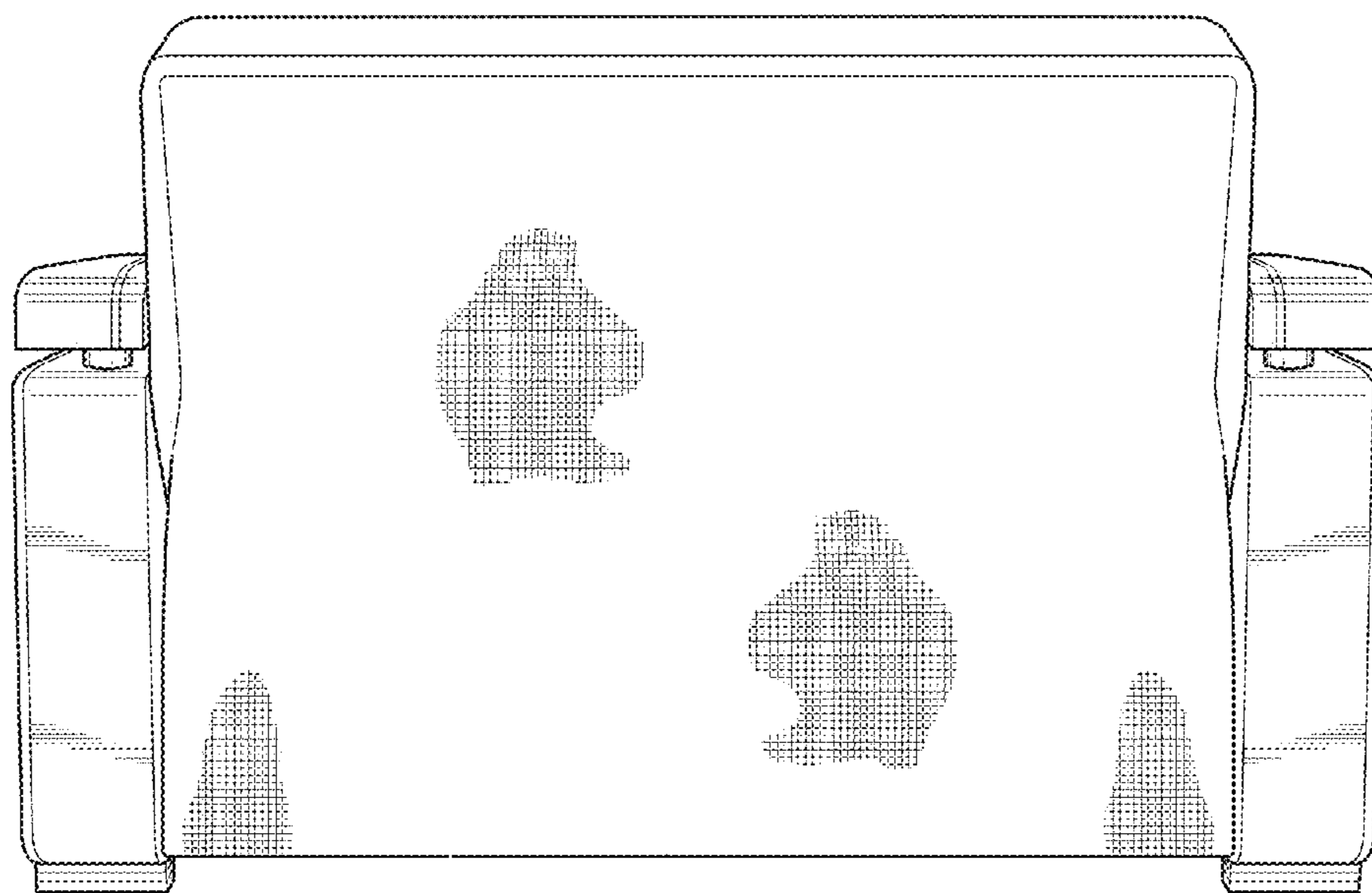


FIG. 10

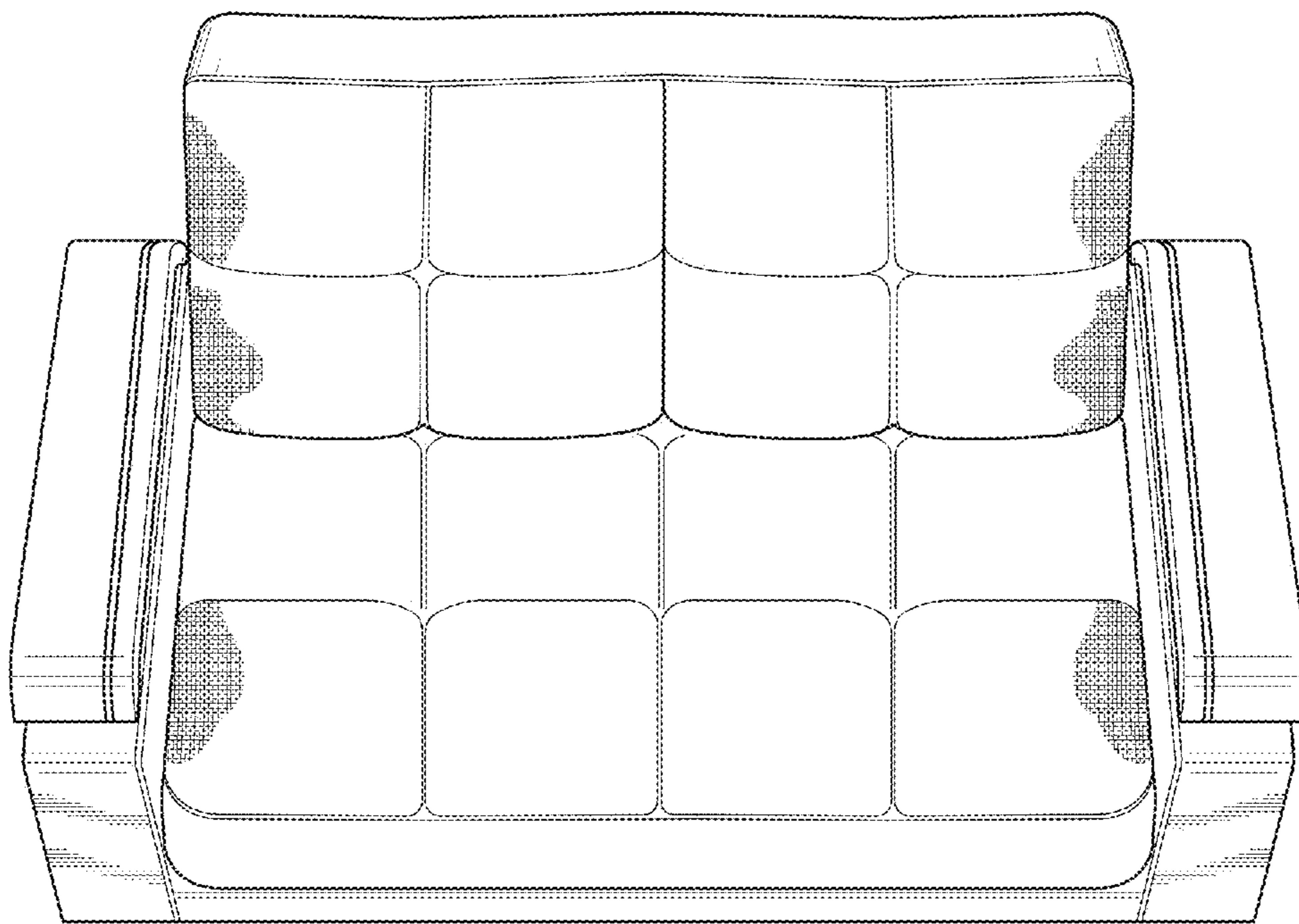


FIG. 11

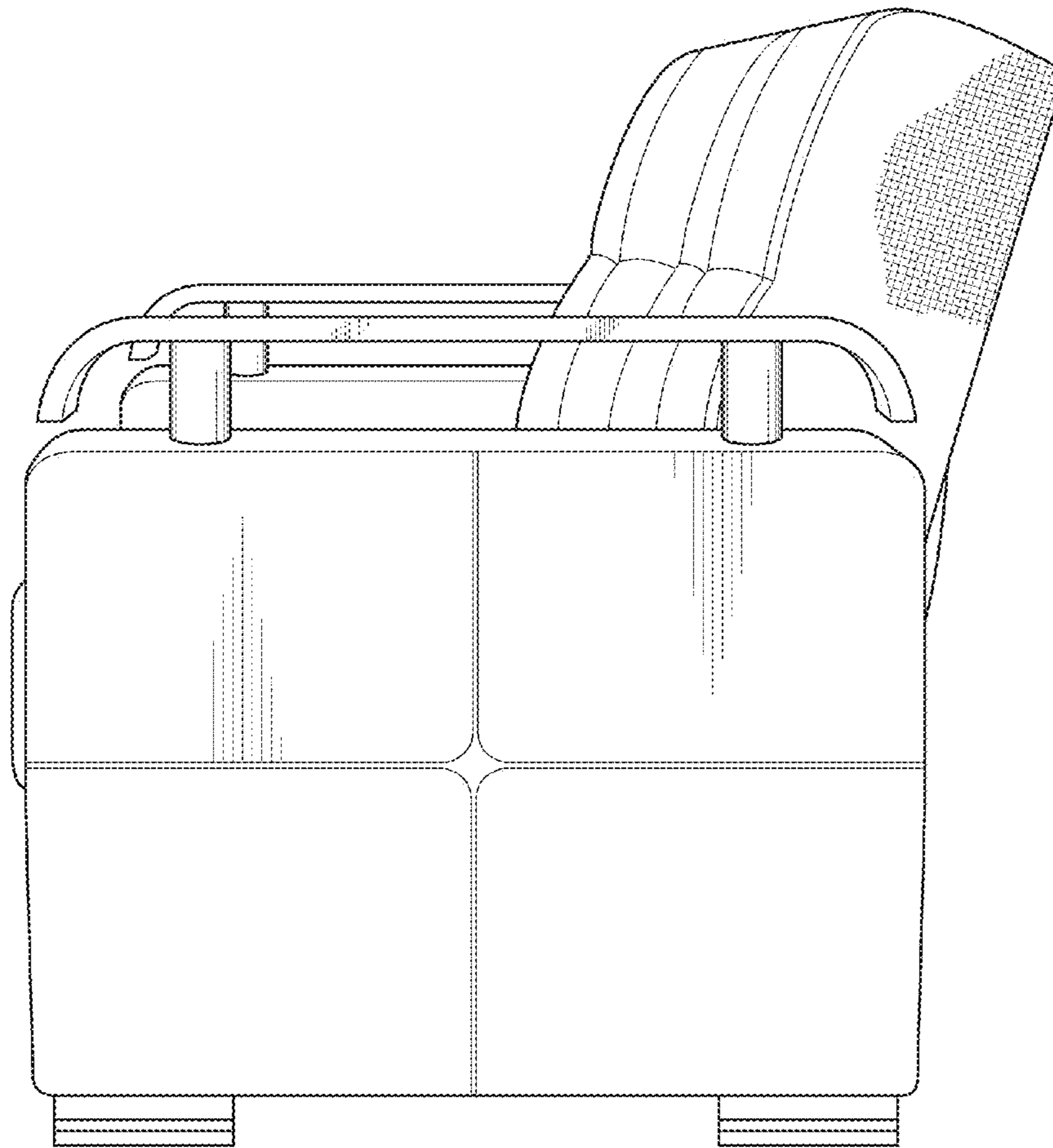


FIG. 12

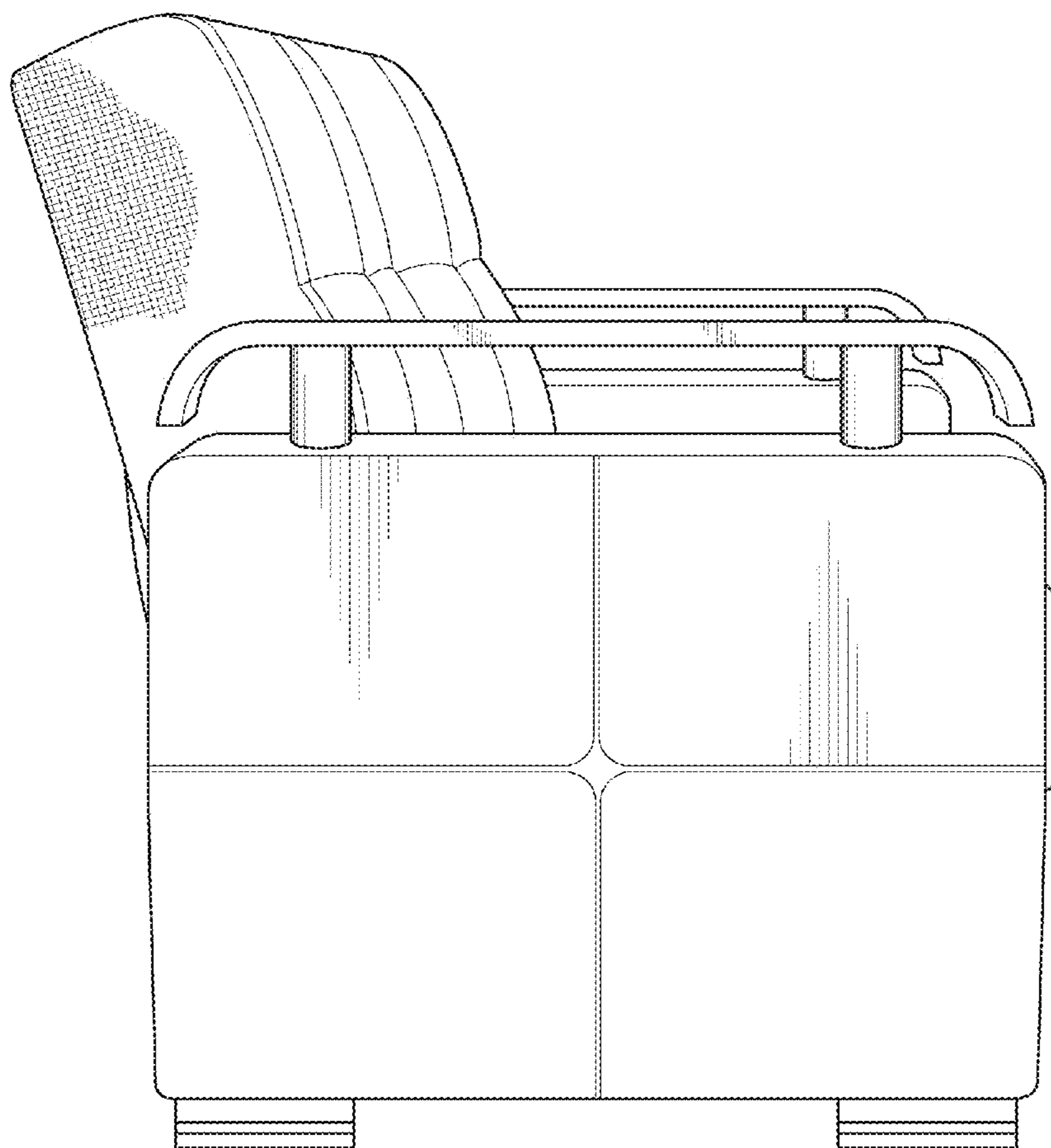


FIG. 13

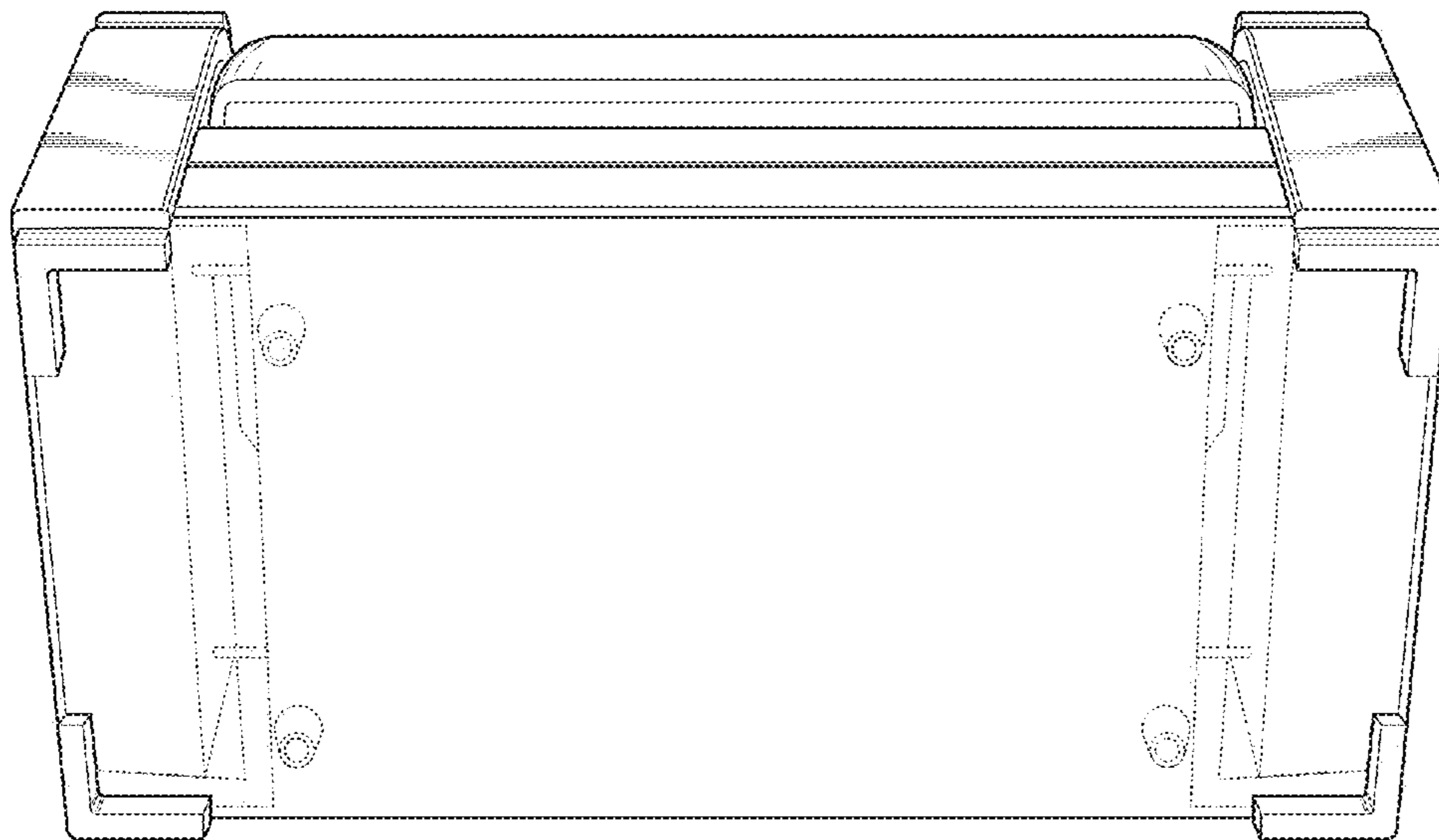


FIG. 14

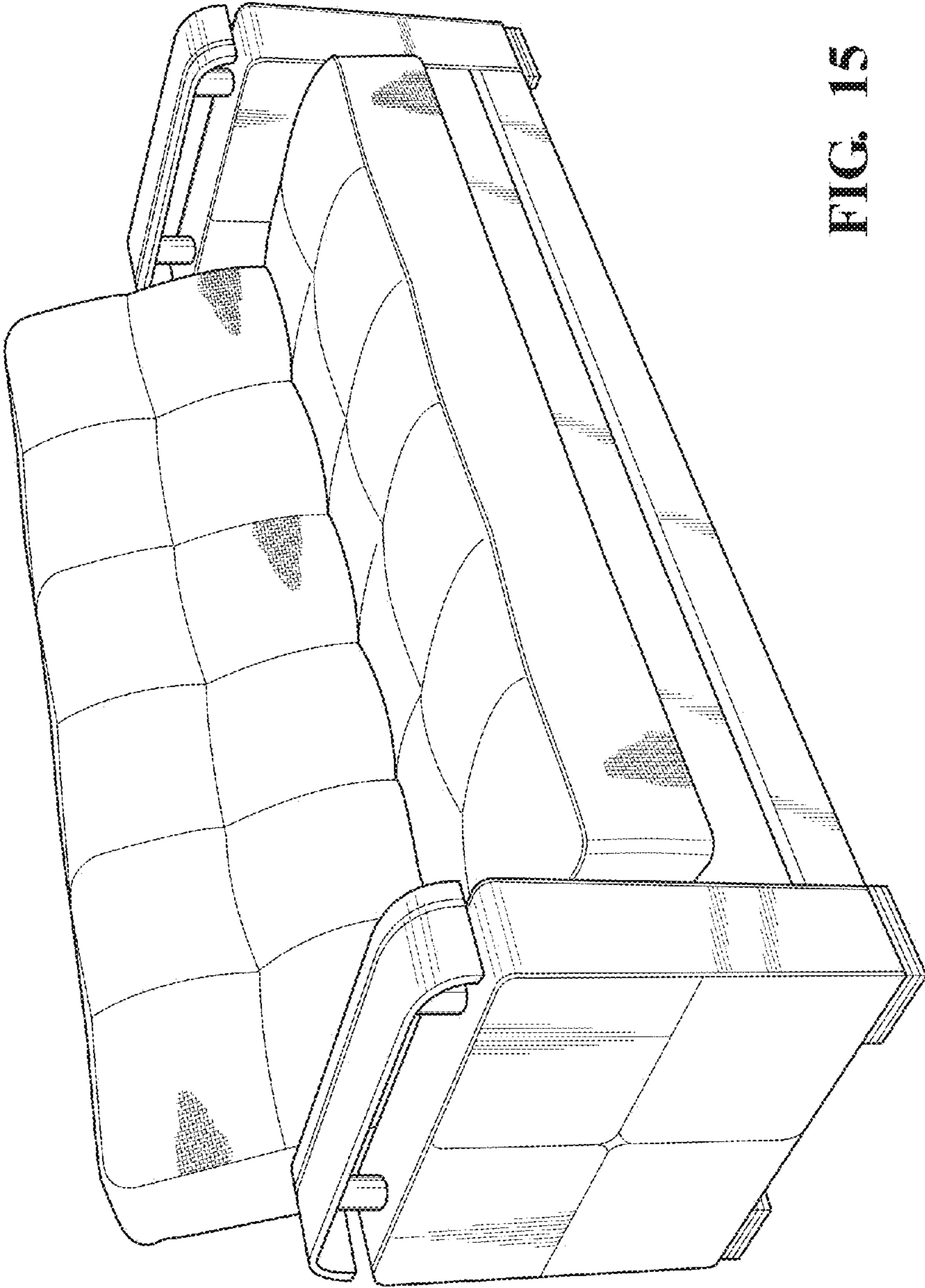


FIG. 15

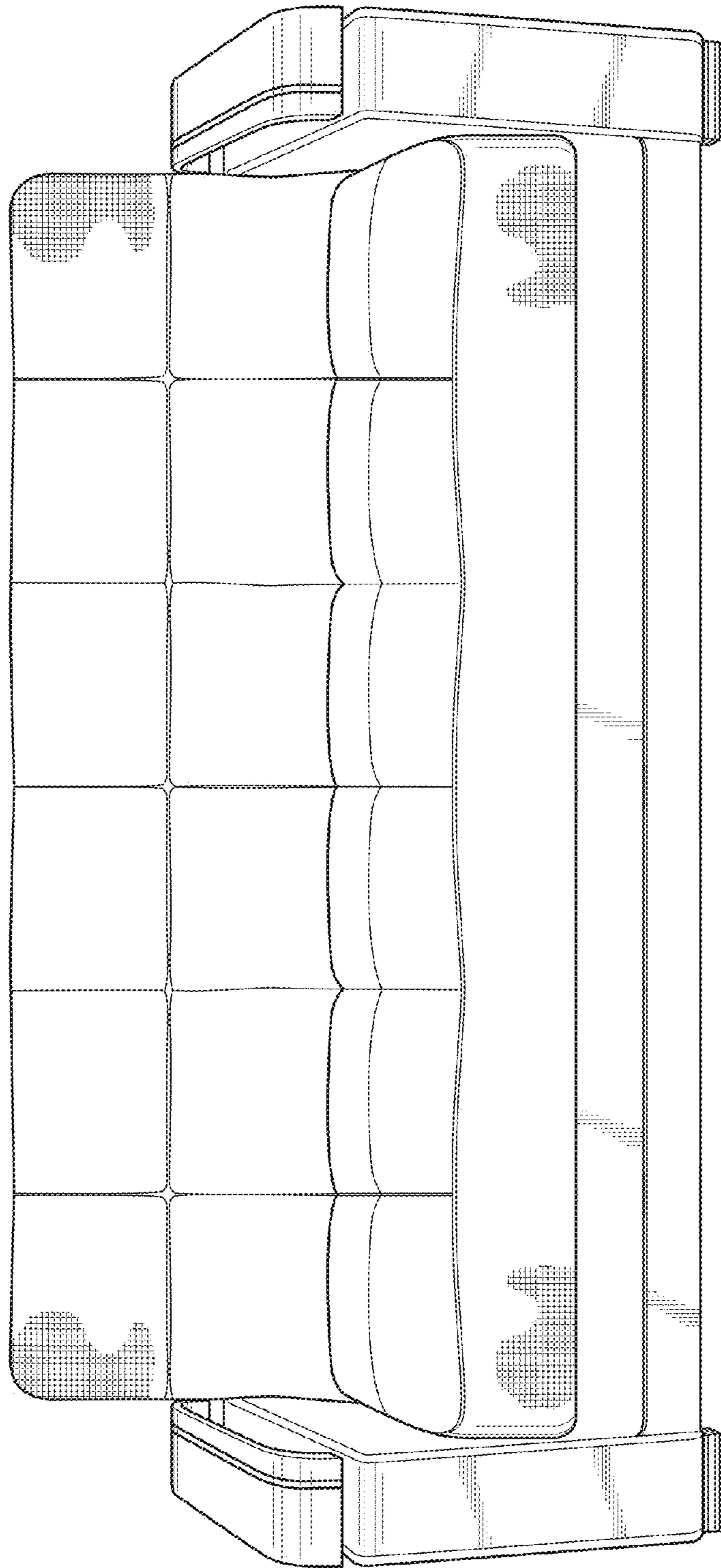


FIG. 16

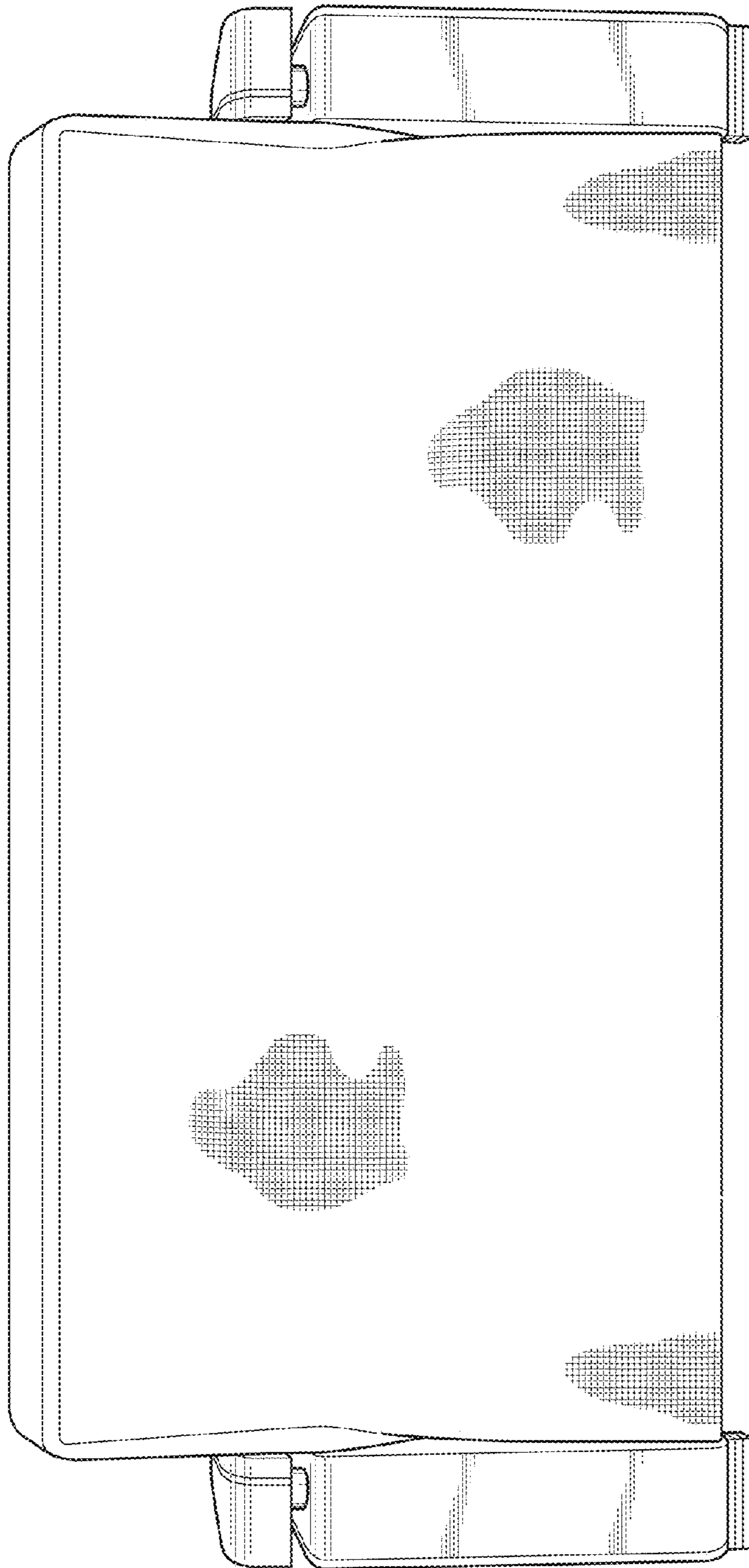


FIG. 17

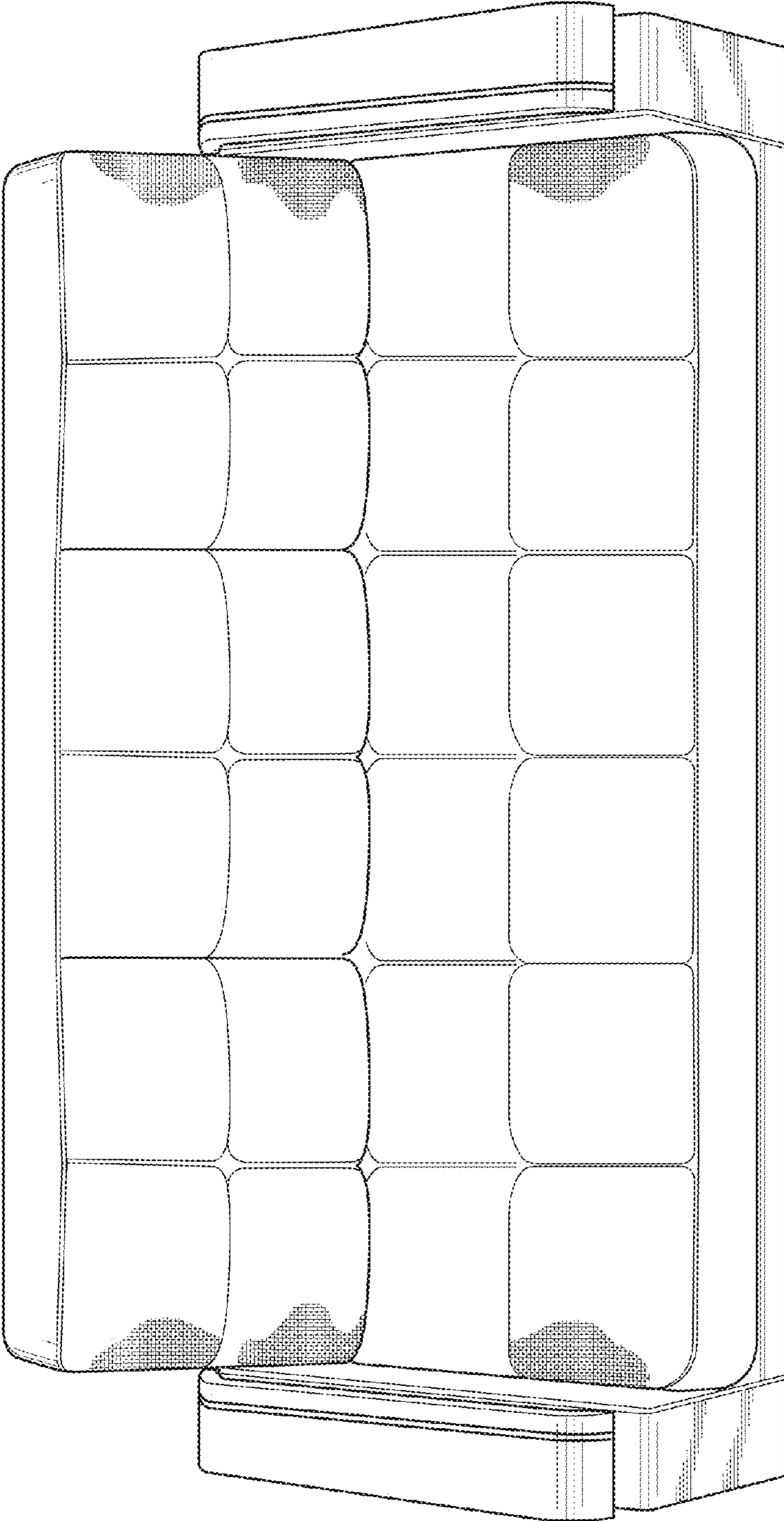


FIG. 18

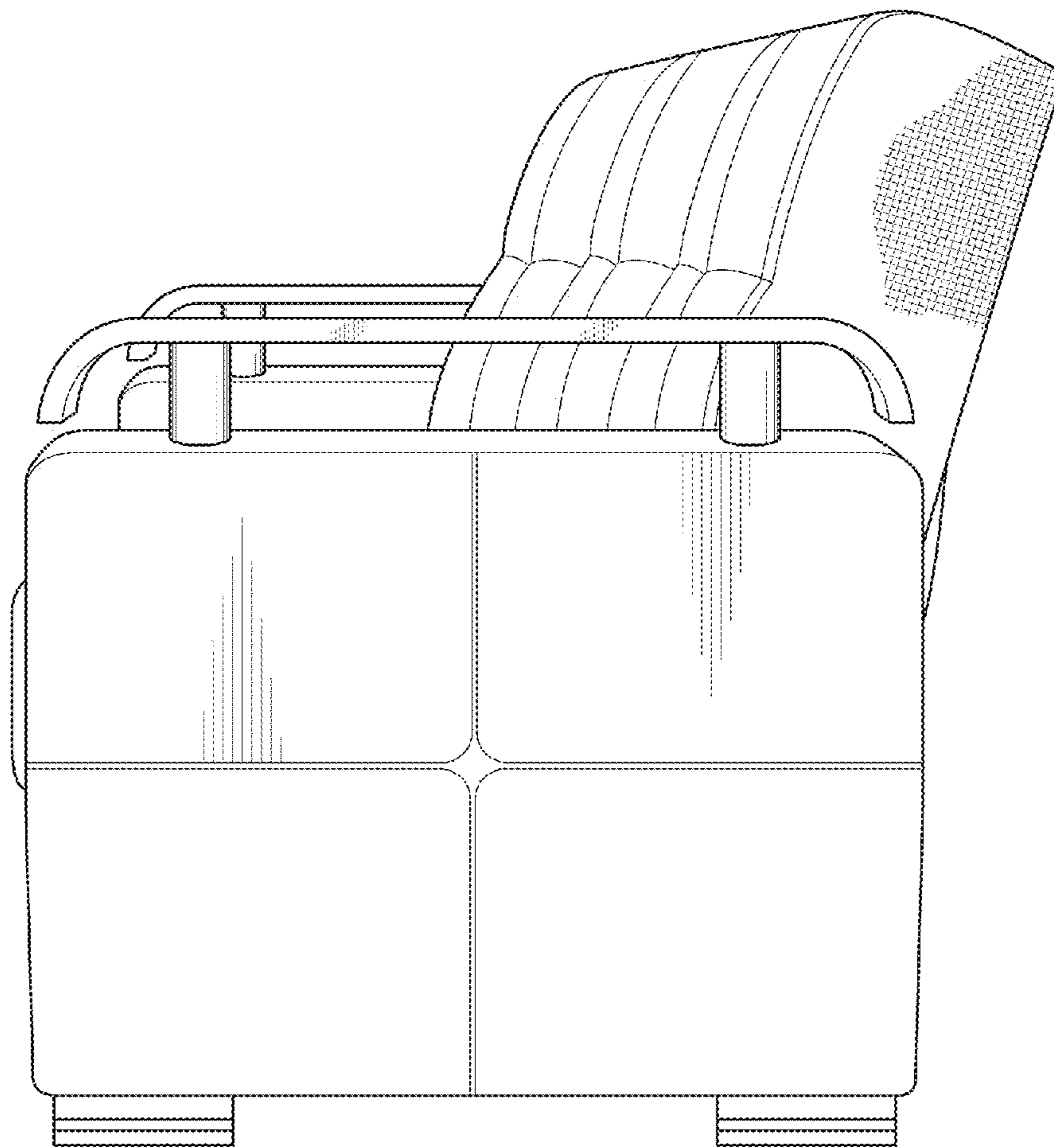


FIG. 19

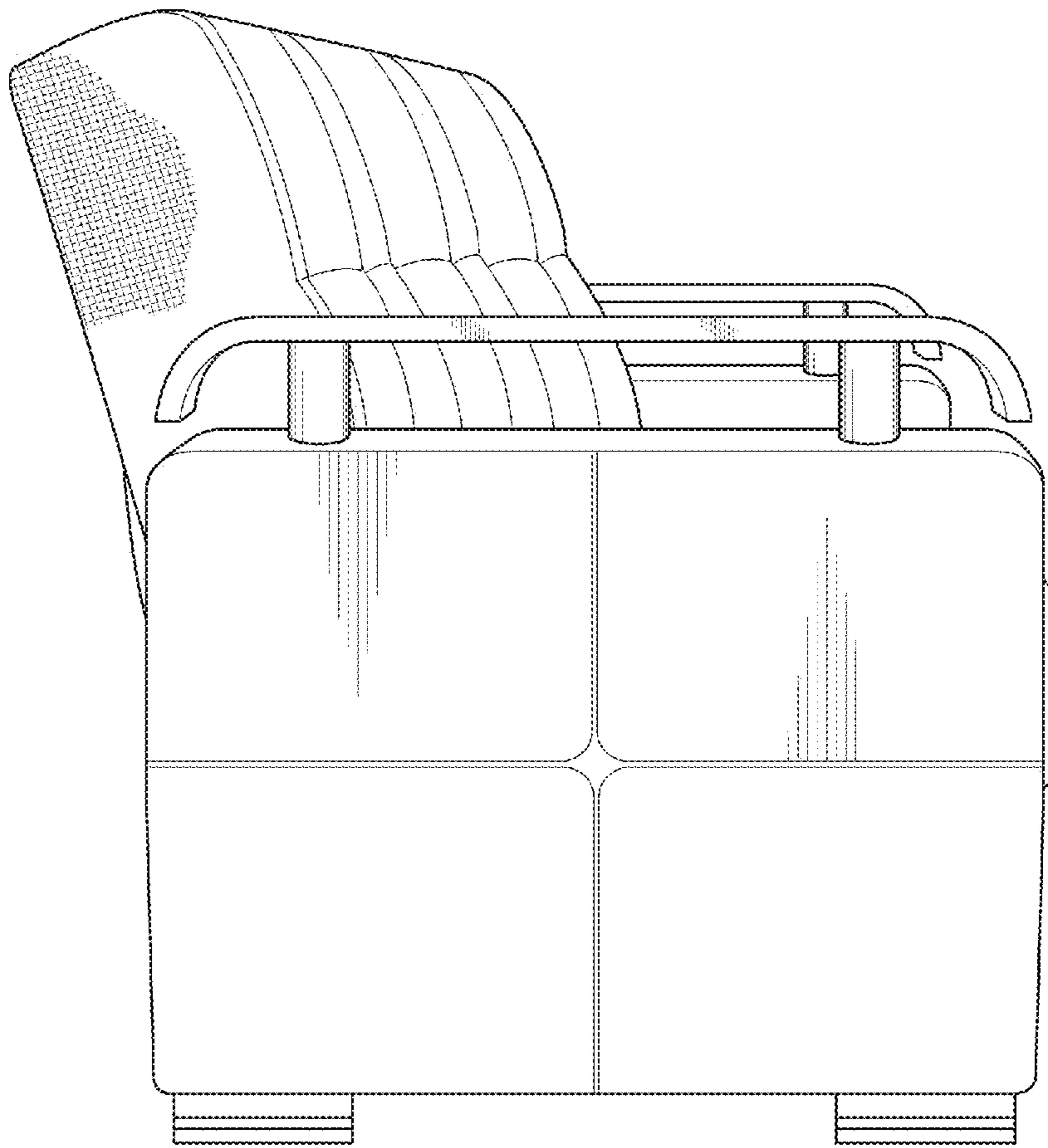


FIG. 20

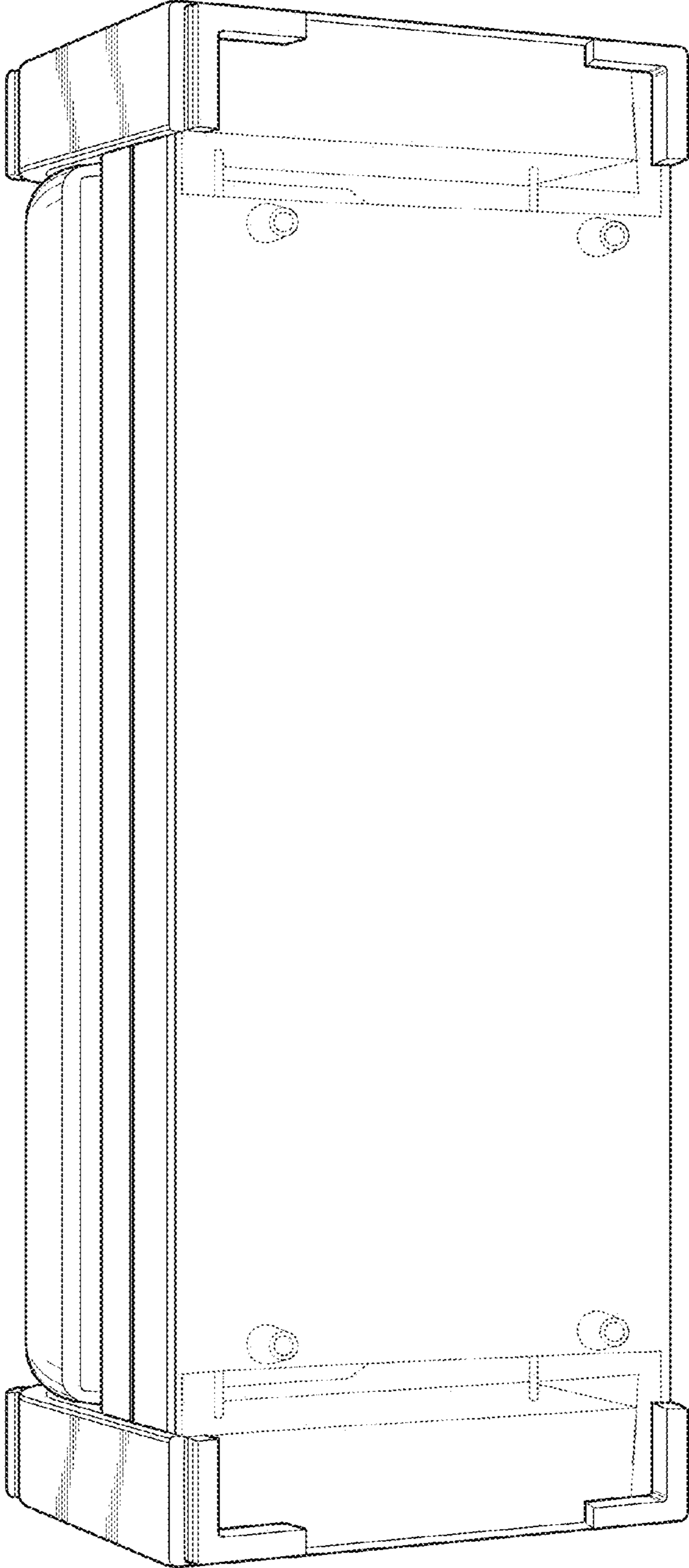


FIG. 21