



US00D720143S

(12) **United States Design Patent**
Barber et al.

(10) **Patent No.:** **US D720,143 S**

(45) **Date of Patent:** **** Dec. 30, 2014**

(54) **STOOL**

(71) Applicant: **Knoll, Inc.**, East Greenville, PA (US)

(72) Inventors: **Edward Barber**, London (GB); **Jay Osgerby**, London (GB)

(73) Assignee: **Knoll, Inc.**, East Greenville, PA (US)

(**) Term: **14 Years**

(21) Appl. No.: **29/485,965**

(22) Filed: **Mar. 25, 2014**

(51) **LOC (10) Cl.** **06-01**

(52) **U.S. Cl.**

USPC **D6/352**; D6/349

(58) **Field of Classification Search**

CPC A47C 1/14; A47C 3/16-3/20; A47C 4/00;
A47C 4/28; A47C 5/02; A47C 7/02; A47C
9/00; A47C 9/02; A47C 9/002; A47C 9/007;
A47C 9/025; A47C 11/00; A47C 12/00;
A47C 13/00; A47C 16/02

USPC D6/335, 340, 344, 347, 349-355, 358,
D6/360, 363-373, 381, 685, 687, 688, 690,
D6/691-691.6, 692, 692.4, 694, 703.15,
D6/708.21, 708.22, 709.22, 716-716.7,
D6/717

See application file for complete search history.

(56) **References Cited**

U.S. PATENT DOCUMENTS

| | | | | | | |
|-----------|---|---|---------|--------------|-------|---------|
| 1,374,716 | A | * | 4/1921 | Bloom et al. | | 297/461 |
| D233,108 | S | * | 10/1974 | Rosen | | D6/484 |
| D234,476 | S | * | 3/1975 | Rosen | | D6/352 |
| D244,107 | S | * | 4/1977 | Zola | | D6/352 |
| D285,872 | S | * | 9/1986 | Massonnet | | D6/352 |
| 4,998,774 | A | * | 3/1991 | Huff et al. | | 297/461 |
| D399,066 | S | * | 10/1998 | Malatesta | | D6/349 |
| D440,415 | S | * | 4/2001 | Bellini | | D6/349 |
| D557,524 | S | * | 12/2007 | Simpson | | D6/487 |
| D564,244 | S | * | 3/2008 | Ikaheimo | | D6/349 |

| | | | | | | |
|----------|---|---|---------|----------------|-------|--------|
| D579,676 | S | * | 11/2008 | Rheault et al. | | D6/349 |
| D592,870 | S | * | 5/2009 | Olano Jauregui | | D6/360 |
| D611,737 | S | * | 3/2010 | Miller et al. | | D6/486 |
| D664,779 | S | * | 8/2012 | Weber et al. | | D6/349 |

OTHER PUBLICATIONS

This is Knoll (Pt 3/4) @ Salone Milan 2013. [online] Published Apr. 10, 2013. Retrieved from URL: <<http://www.dedeceblog.com/2013/04/10/knoll-celebrates-75-years-salone-milan-2013/>>.*

* cited by examiner

Primary Examiner — Susan Bennett Hattan

Assistant Examiner — Vy Koenig

(74) *Attorney, Agent, or Firm* — Buchanan Ingersoll & Rooney PC

(57) **CLAIM**

The ornamental design for a stool, as shown and described.

DESCRIPTION

FIG. 1 is a perspective view of a stool showing our new design;

FIG. 2 is a front elevational view thereof;

FIG. 3 is a rear elevational view thereof;

FIG. 4 is a right side elevational view thereof;

FIG. 5 is a left side elevational view thereof;

FIG. 6 is a top plan view thereof;

FIG. 7 is a bottom plan view thereof;

FIG. 8 is a perspective view of an alternate embodiment showing our new design;

FIG. 9 is a front elevational view thereof;

FIG. 10 is a rear elevational view thereof;

FIG. 11 is a right side elevational view thereof;

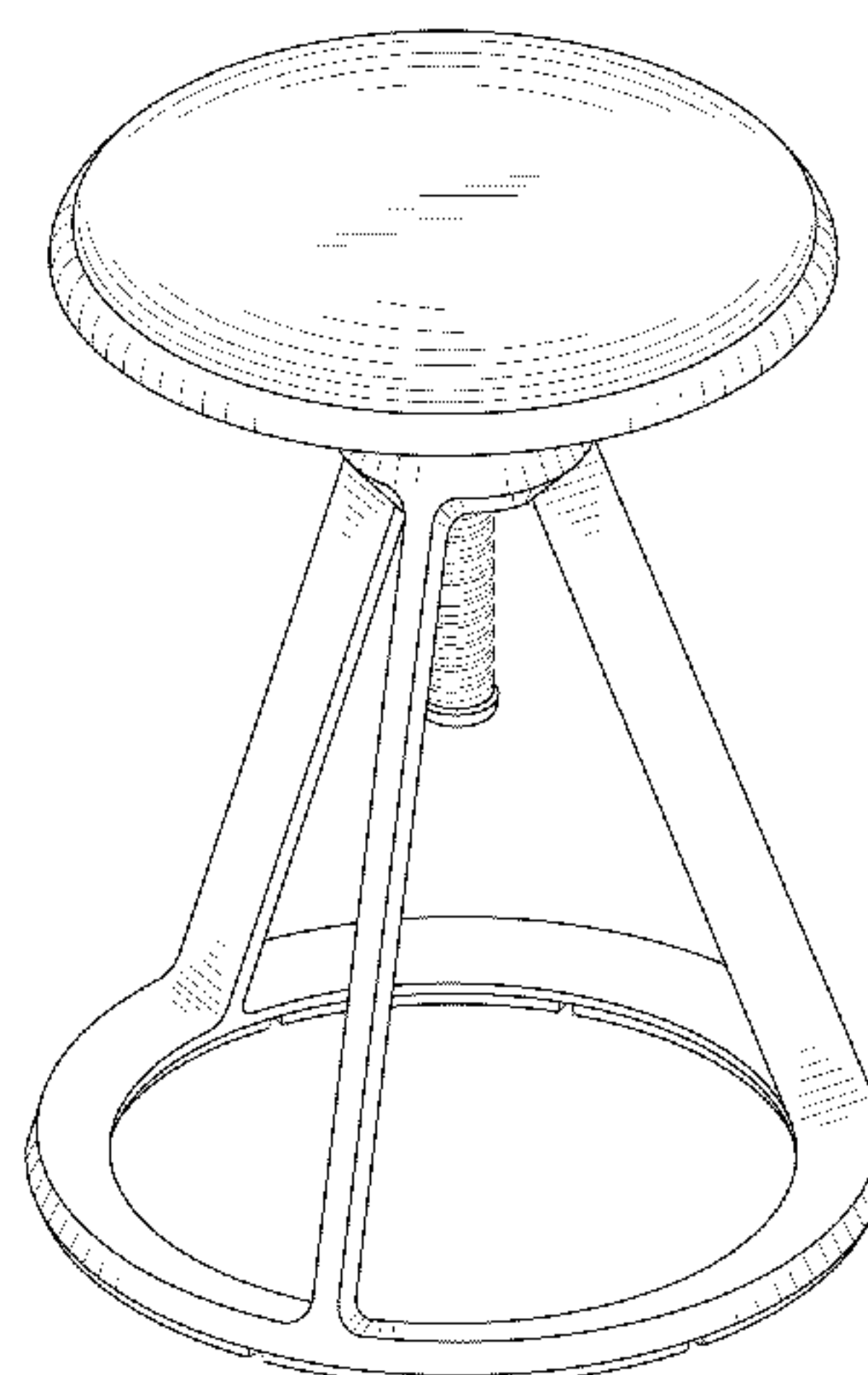
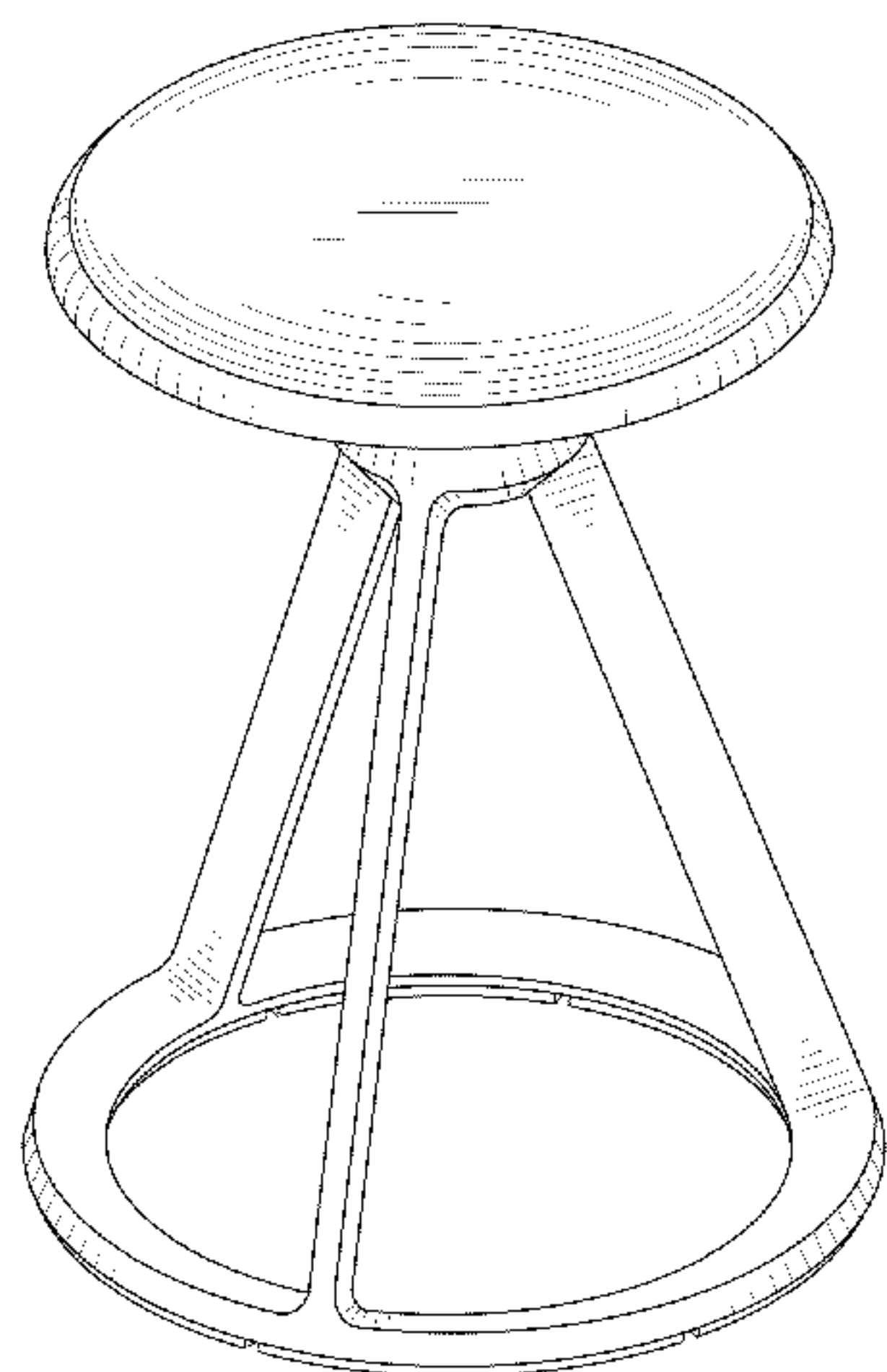
FIG. 12 is a left side elevational view thereof;

FIG. 13 is a top plan view thereof; and,

FIG. 14 is a bottom plan view thereof.

The broken lines shown represent environmental subject matter and form no part of the claimed design.

1 Claim, 8 Drawing Sheets



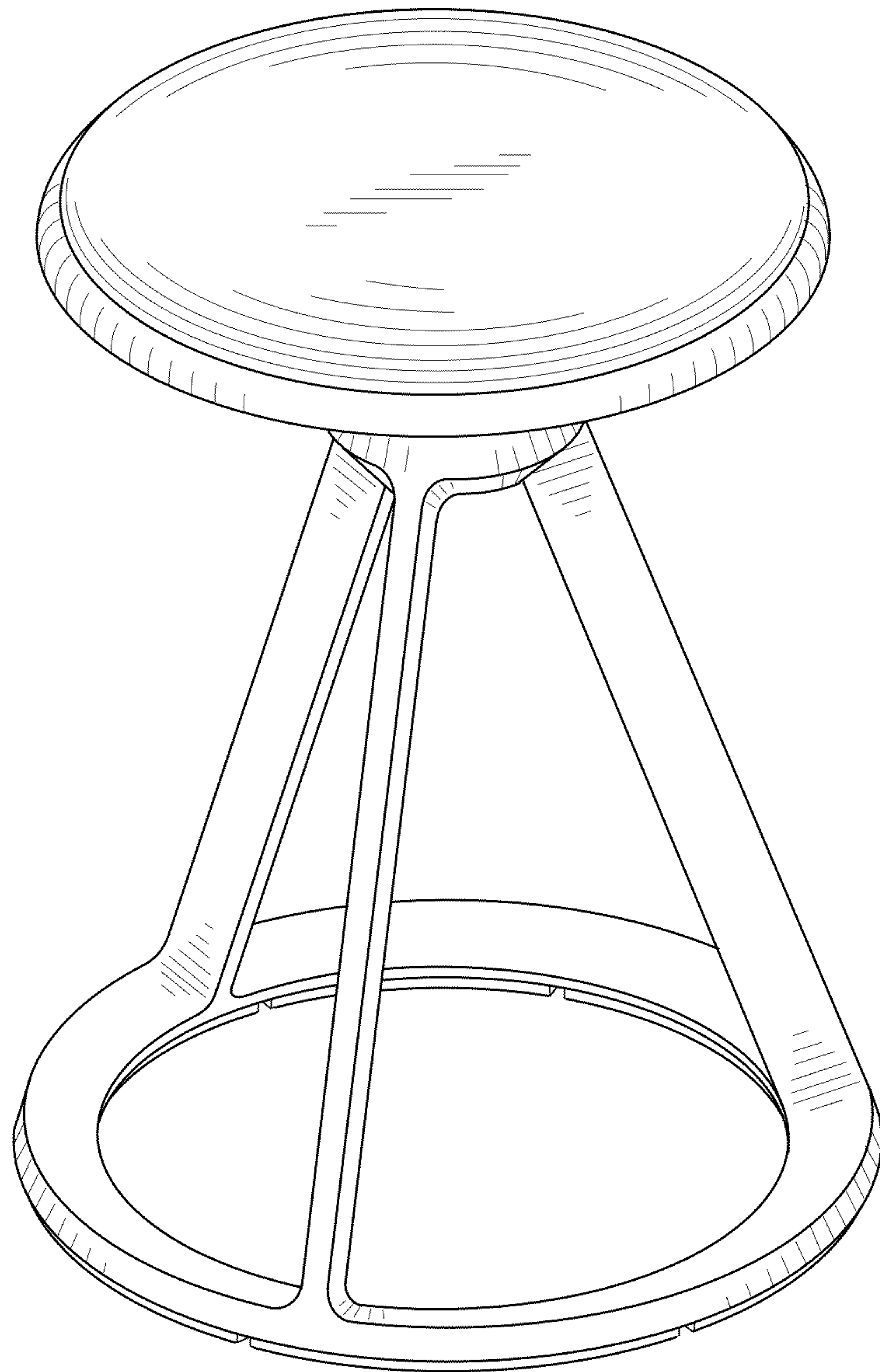


FIG. 1

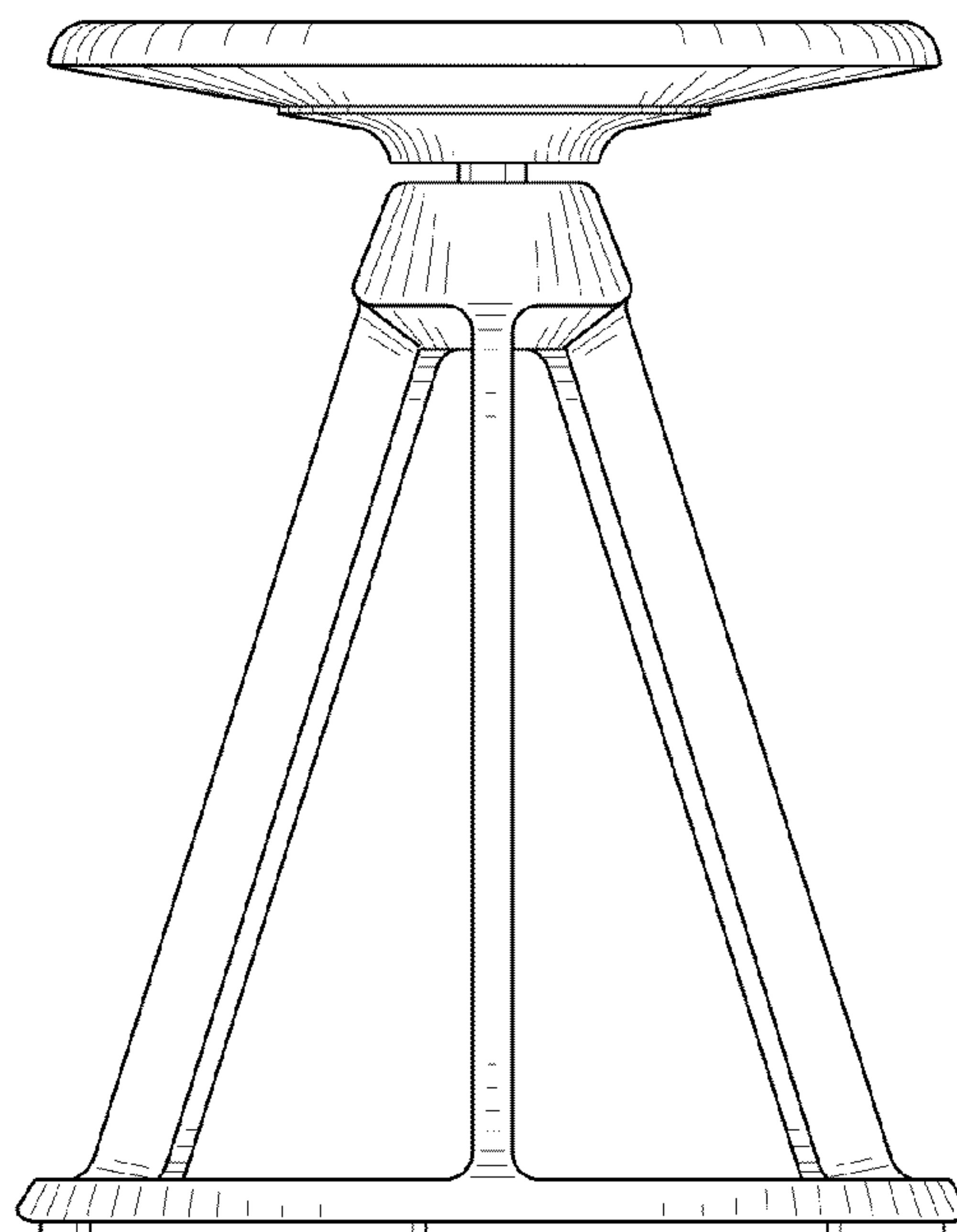


FIG. 2

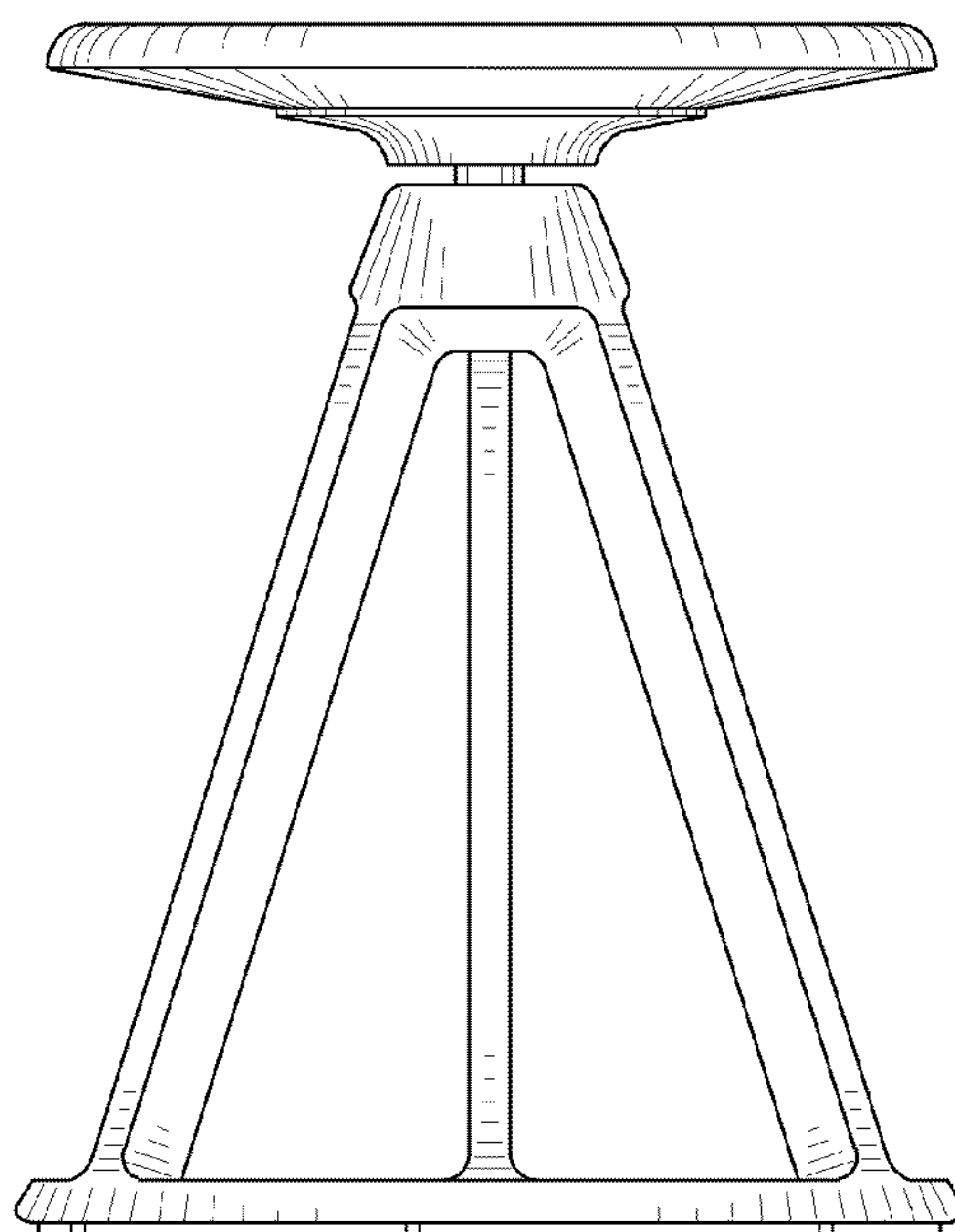


FIG. 3

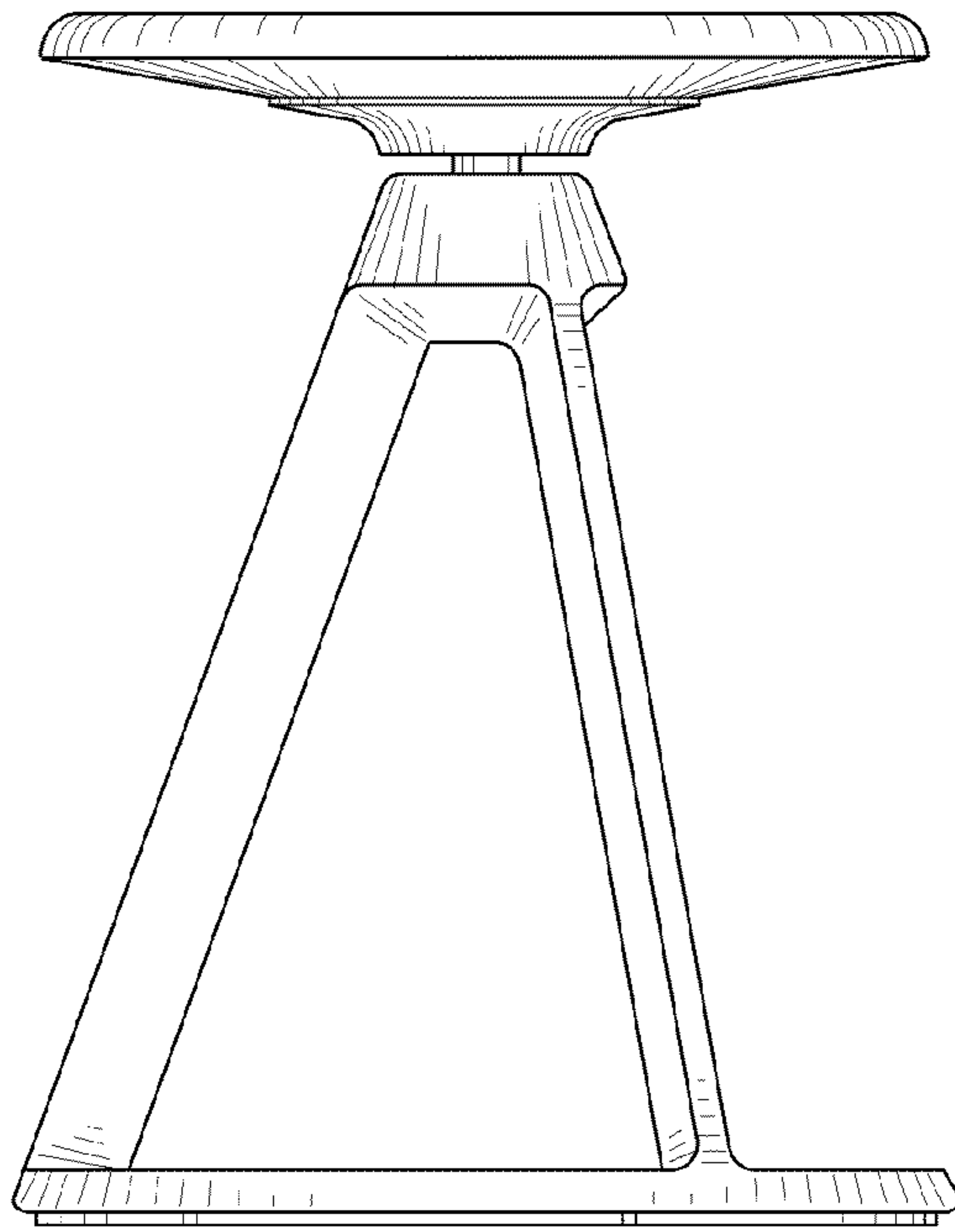


FIG. 4

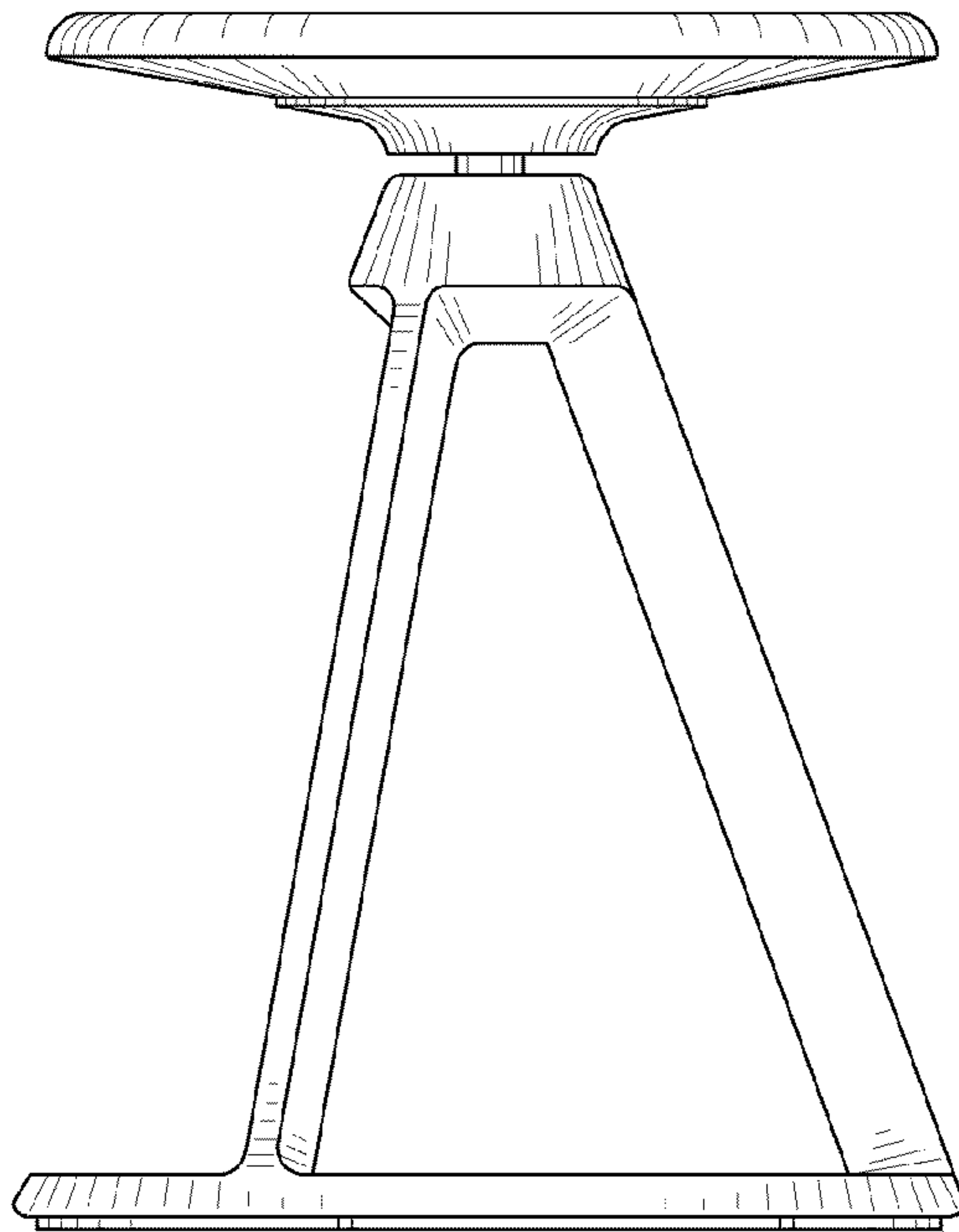


FIG. 5

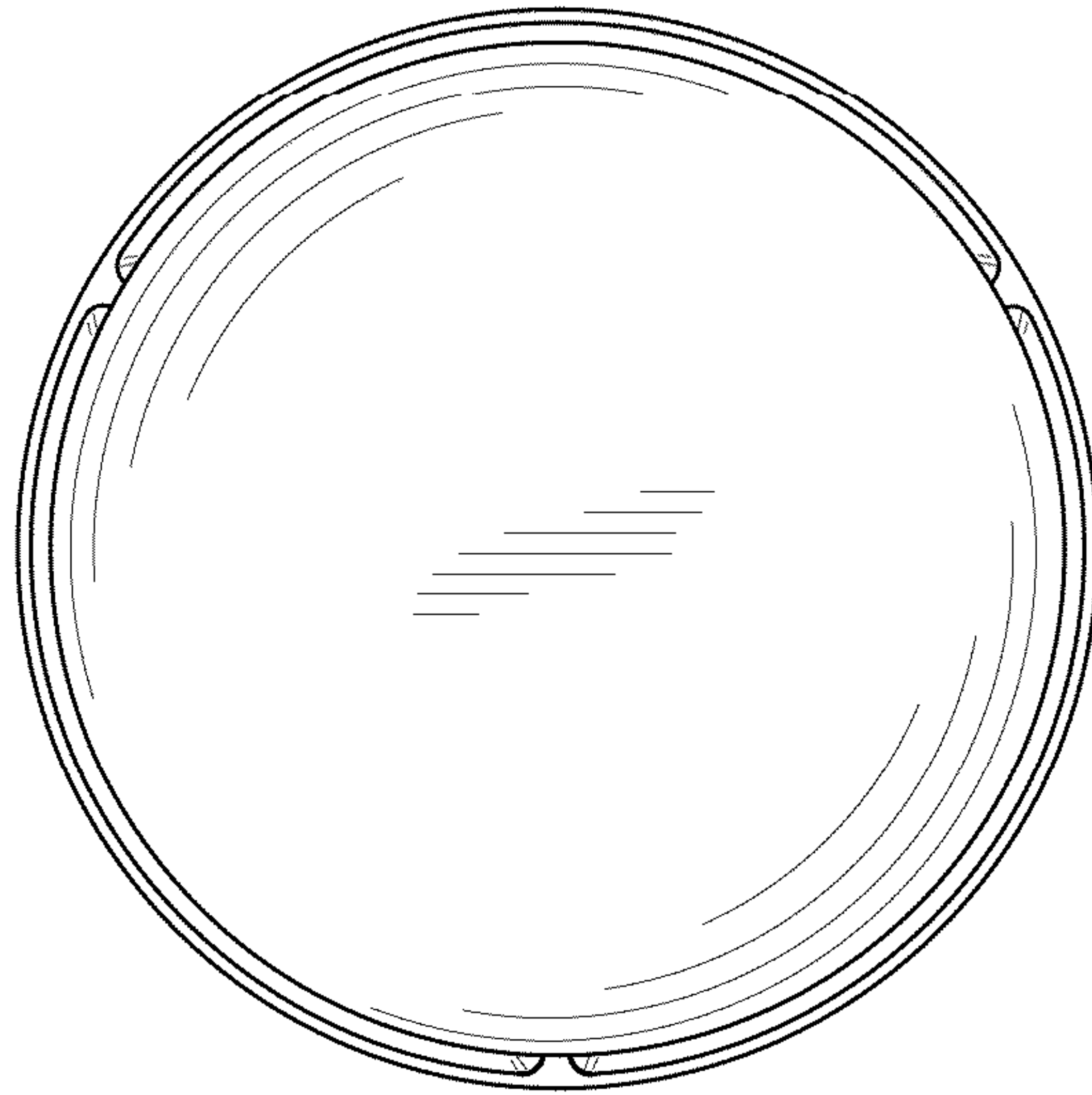


FIG. 6

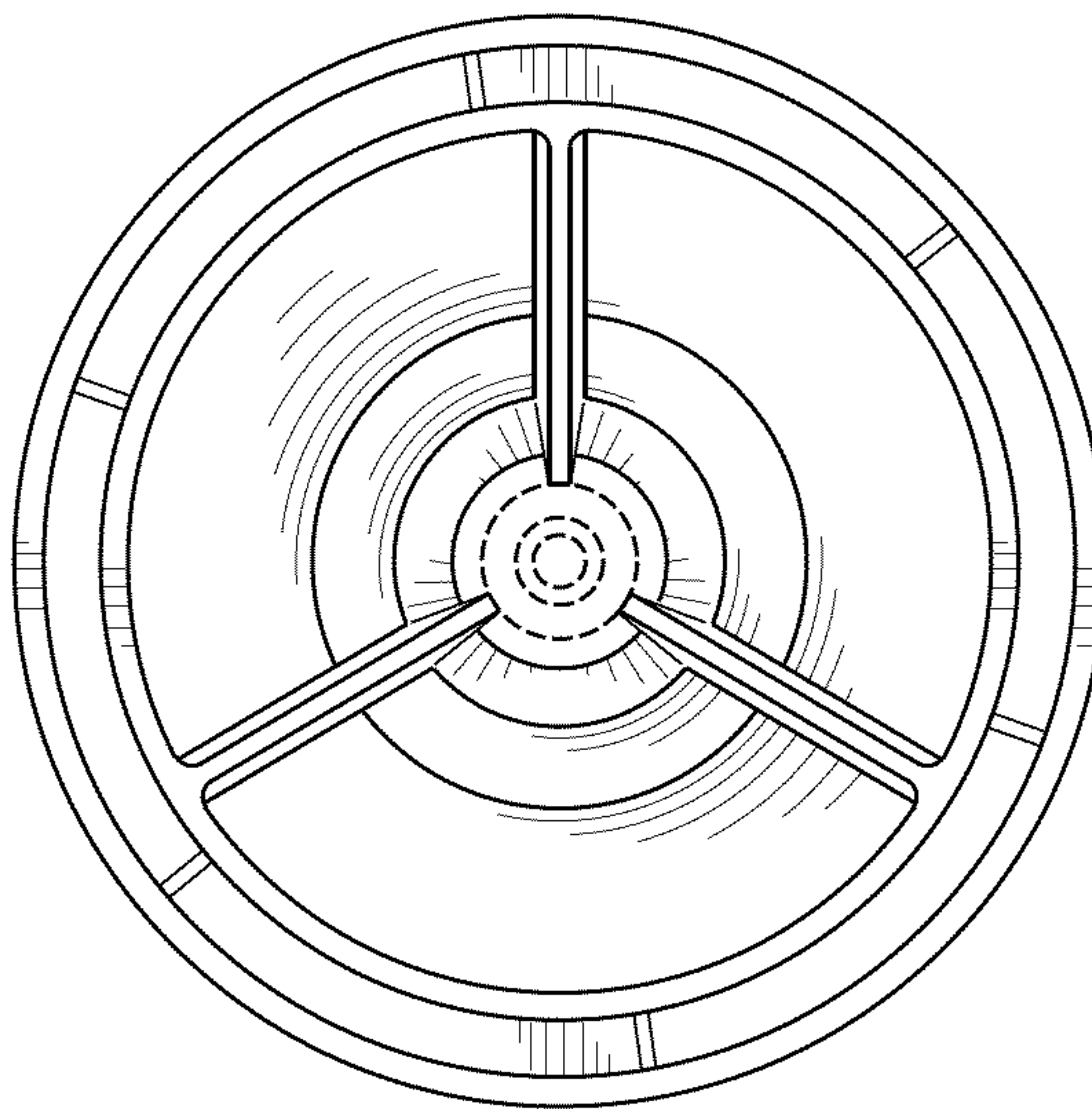


FIG. 7

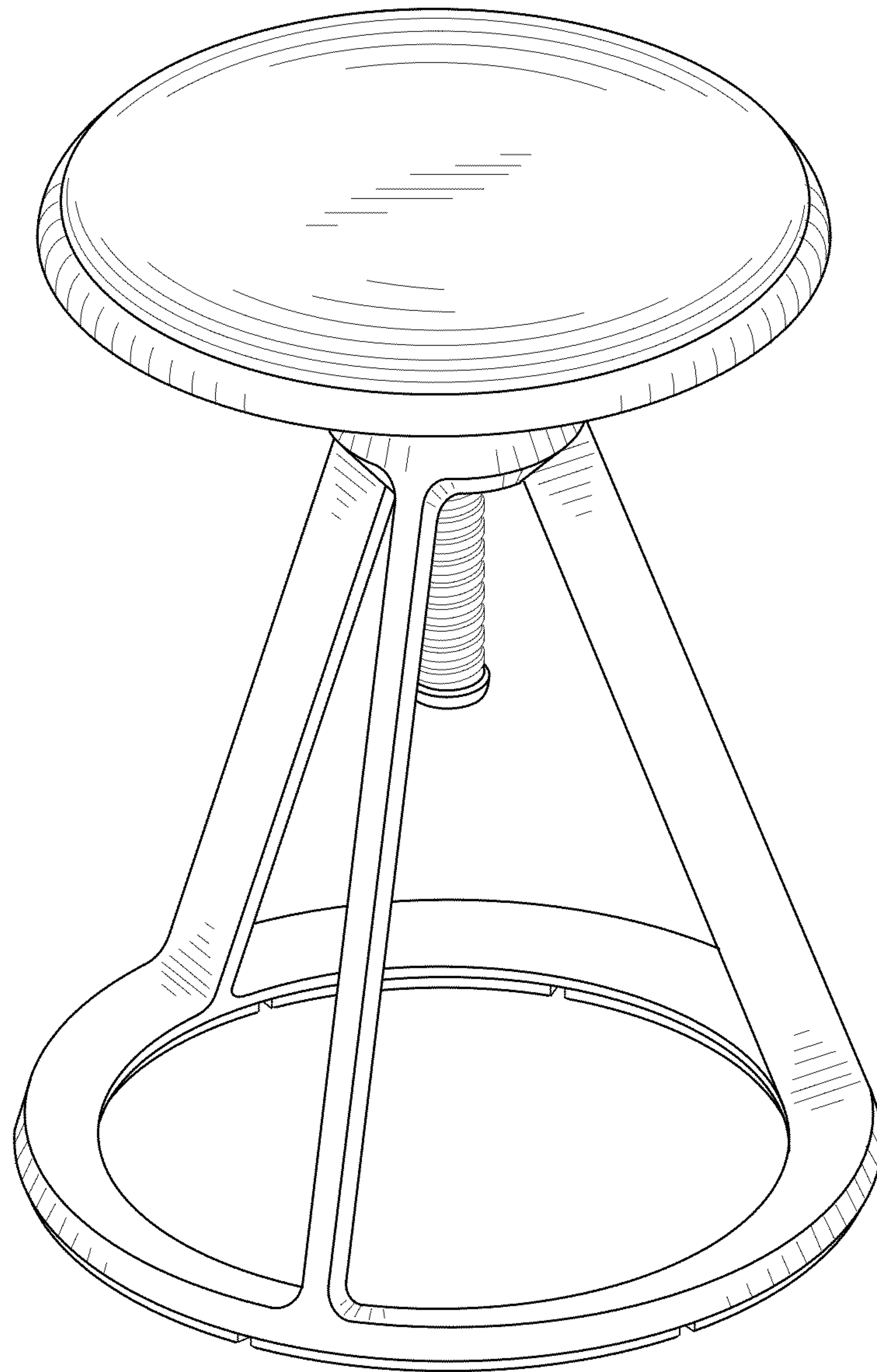


FIG. 8

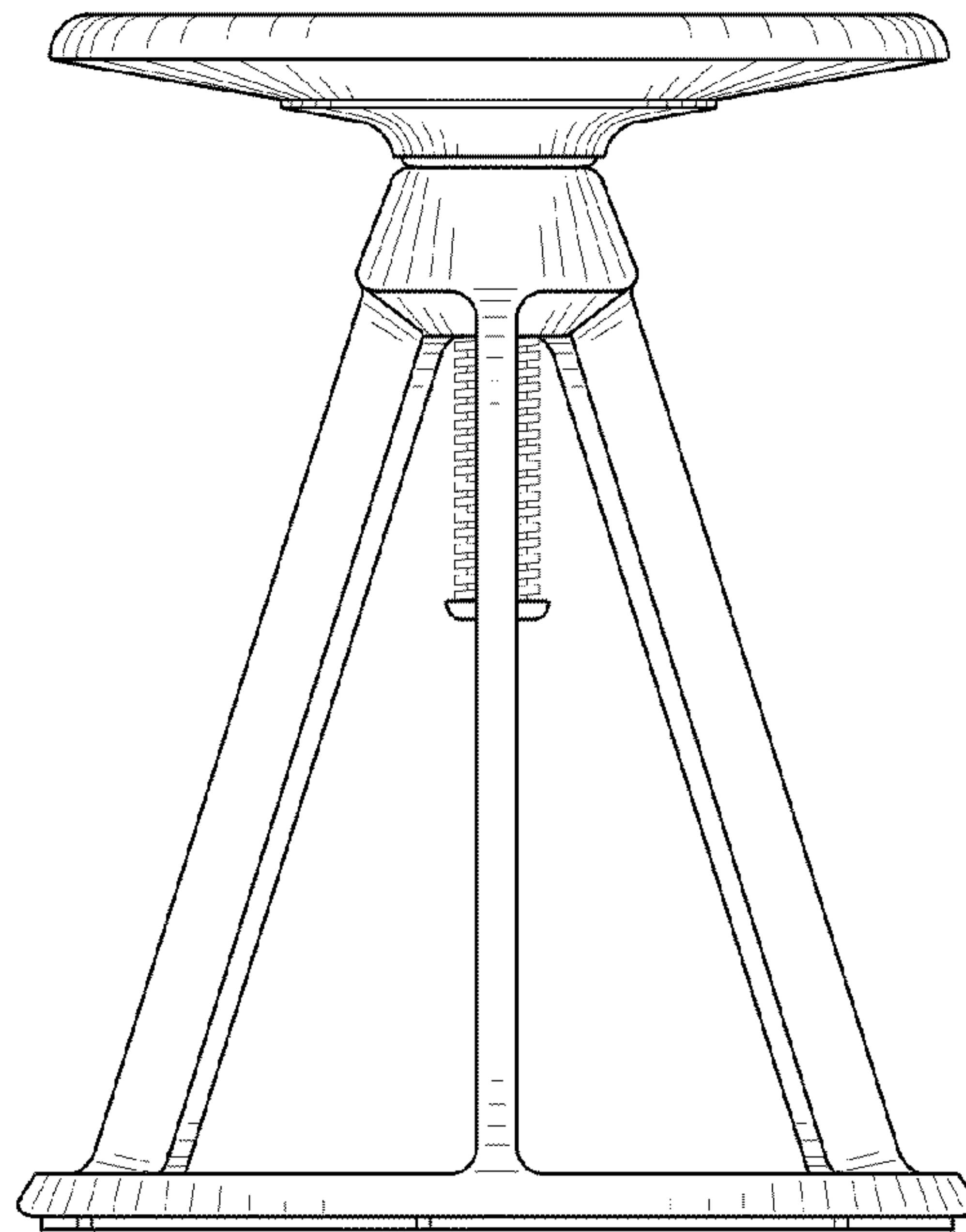


FIG. 9

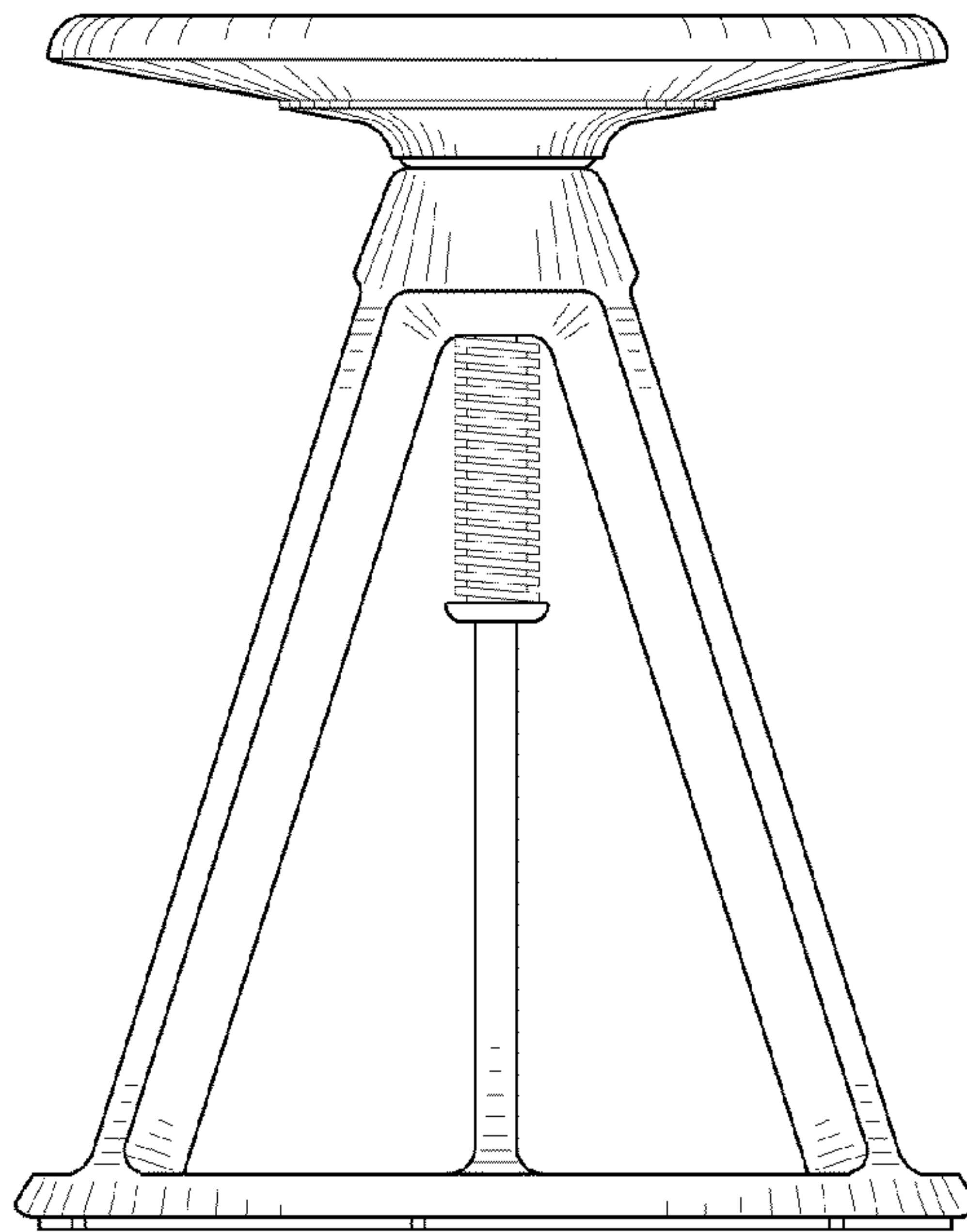


FIG. 10

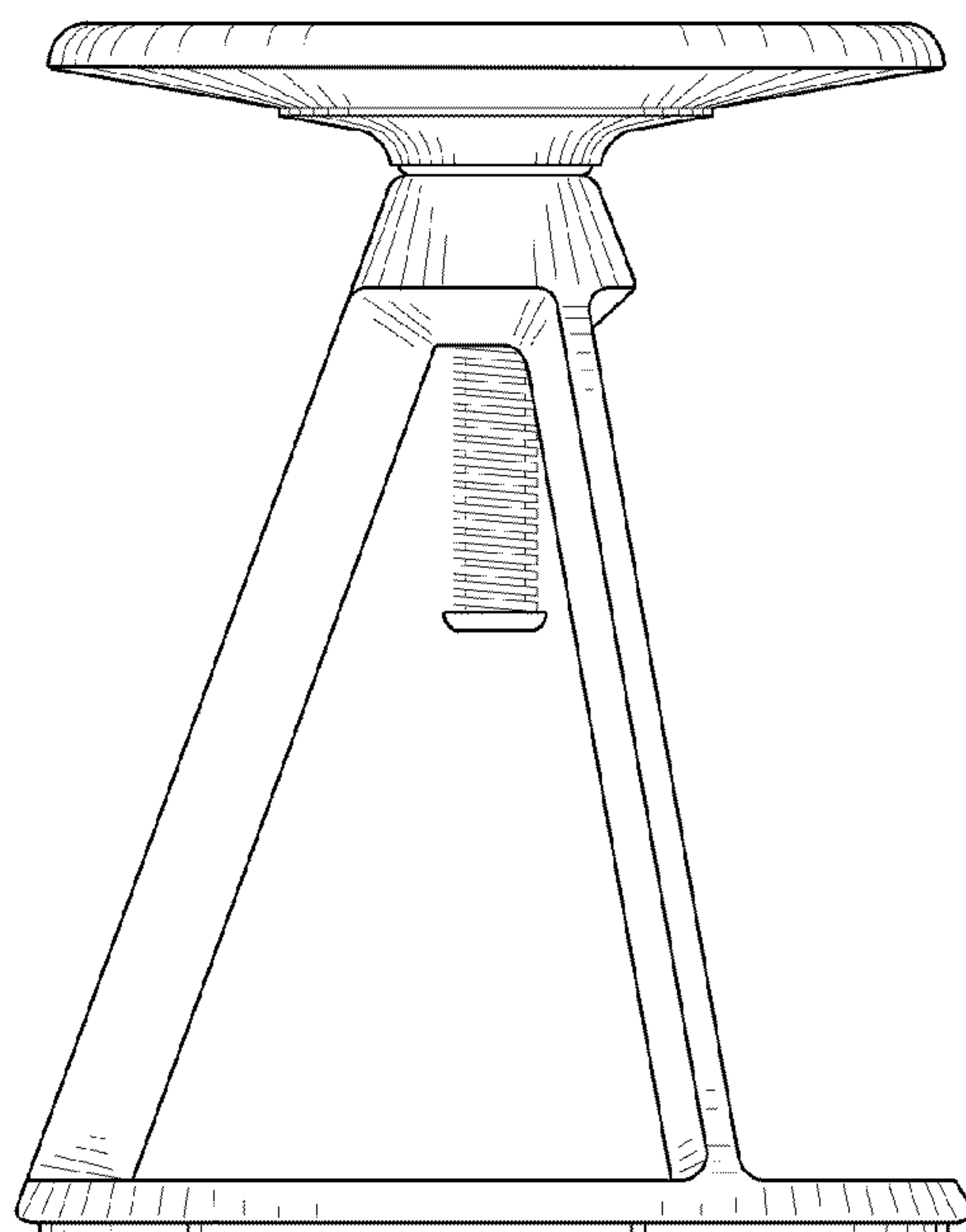


FIG. 11

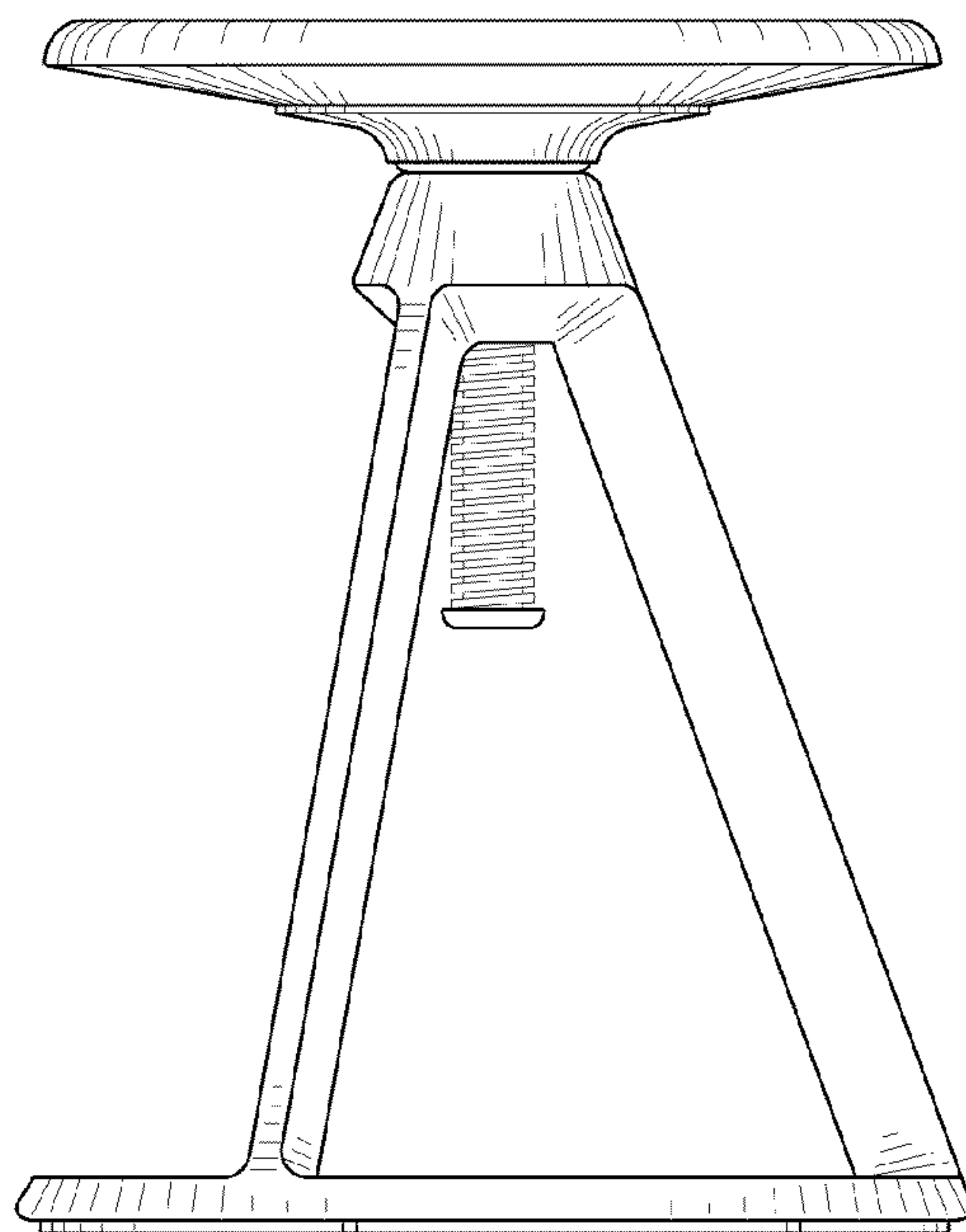


FIG. 12

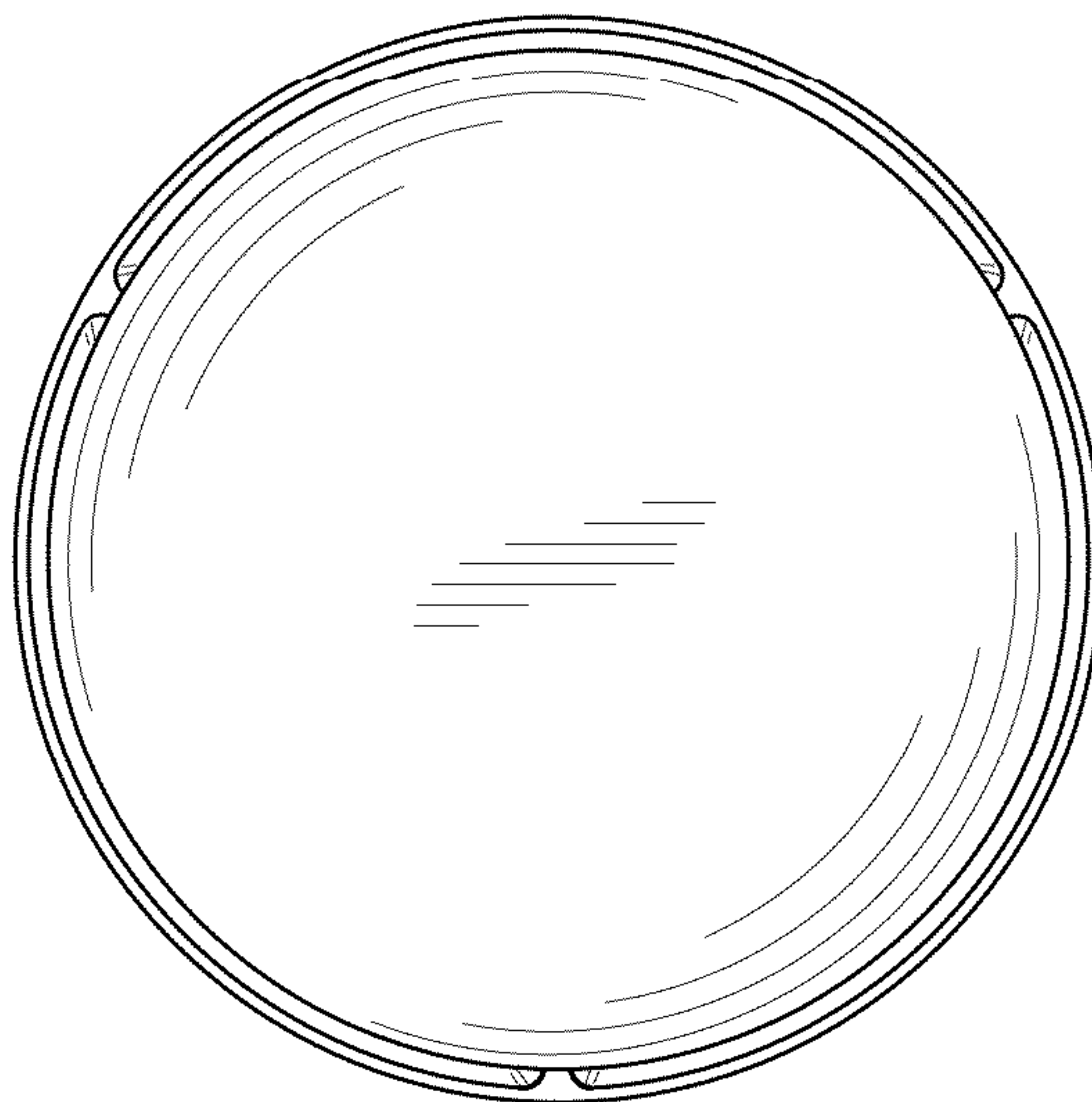


FIG. 13

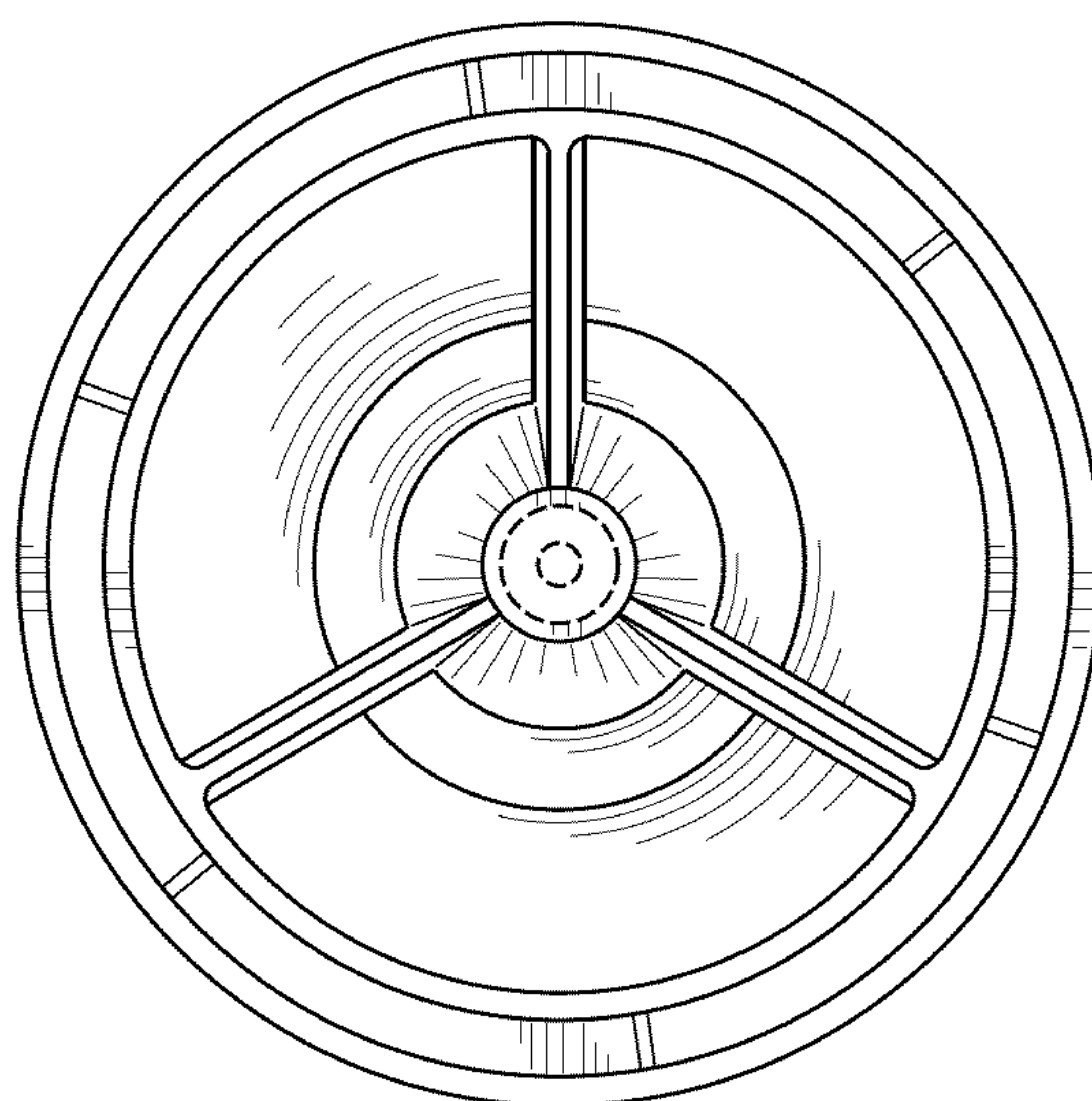


FIG. 14