



US00D720141S

(12) **United States Design Patent**  
**Francis**

(10) **Patent No.:** **US D720,141 S**

(45) **Date of Patent:** **\*\* Dec. 30, 2014**

(54) **CLOSET ORGANIZER**

(71) Applicant: **John Carlos Francis**, Hyrum, UT (US)

(72) Inventor: **John Carlos Francis**, Hyrum, UT (US)

(\*\*) Term: **14 Years**

(21) Appl. No.: **29/492,580**

(22) Filed: **May 31, 2014**

(51) **LOC (10) Cl.** ..... **06-08**

(52) **U.S. Cl.**  
USPC ..... **D6/315**

(58) **Field of Classification Search**  
CPC ... A47G 25/28; A47G 25/743; A47G 25/483;  
A47G 25/14; A47G 25/38; A47G 25/0657;  
A47G 25/746; A47G 25/0692; A47G 29/00;  
A47G 29/08  
USPC ..... D6/315-328, 513, 553, 567;  
223/85-98; 211/10, 13.1, 85.2, 87.01,  
211/113

See application file for complete search history.

(56) **References Cited**

**U.S. PATENT DOCUMENTS**

1,981,553 A \* 11/1934 Jackson ..... 211/85.3  
D137,159 S \* 2/1944 Borah ..... D6/320

D218,323 S \* 8/1970 Uitz ..... D6/320  
D369,910 S \* 5/1996 McCarty ..... D6/320  
D378,475 S \* 3/1997 Brown ..... D6/317  
D457,331 S \* 5/2002 Pinchuk ..... D6/315  
D457,762 S \* 5/2002 Hawkins ..... D6/513  
D642,389 S \* 8/2011 Stumpo ..... D6/326  
D677,093 S \* 3/2013 Benjamin ..... D6/570

\* cited by examiner

*Primary Examiner* — Derrick Holland

*Assistant Examiner* — Lauren Calve

(74) *Attorney, Agent, or Firm* — Project CIP; Preston P. Frischknecht

(57) **CLAIM**

The ornamental design for a closet organizer, as shown.

**DESCRIPTION**

FIG. 1 is an isometric view of a closet organizer showing the design;

FIG. 2 is a top view thereof;

FIG. 3 is a bottom view thereof;

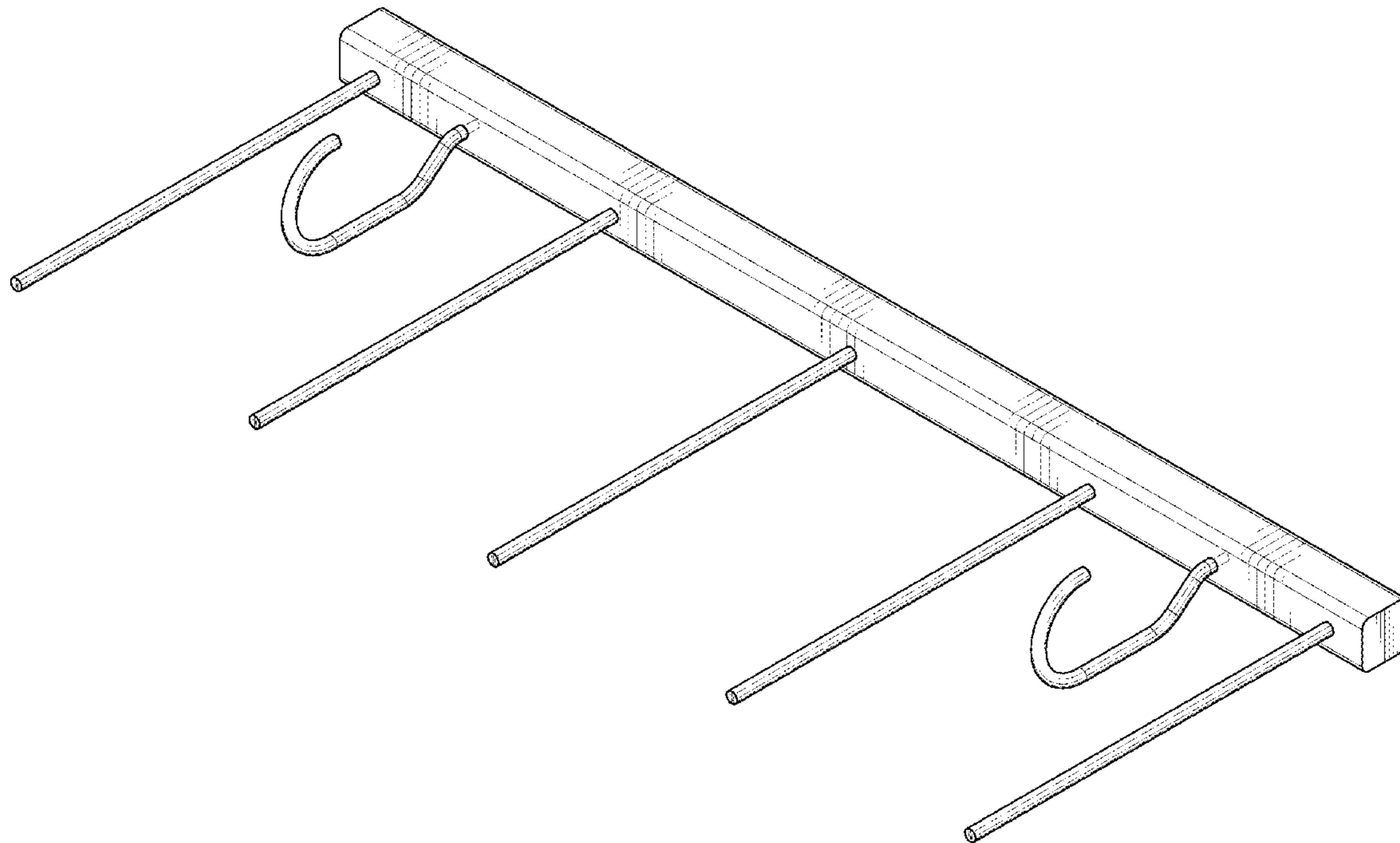
FIG. 4 is a left side view thereof;

FIG. 5 is a right side view thereof;

FIG. 6 is a front view thereof; and,

FIG. 7 is a back view thereof.

**1 Claim, 5 Drawing Sheets**



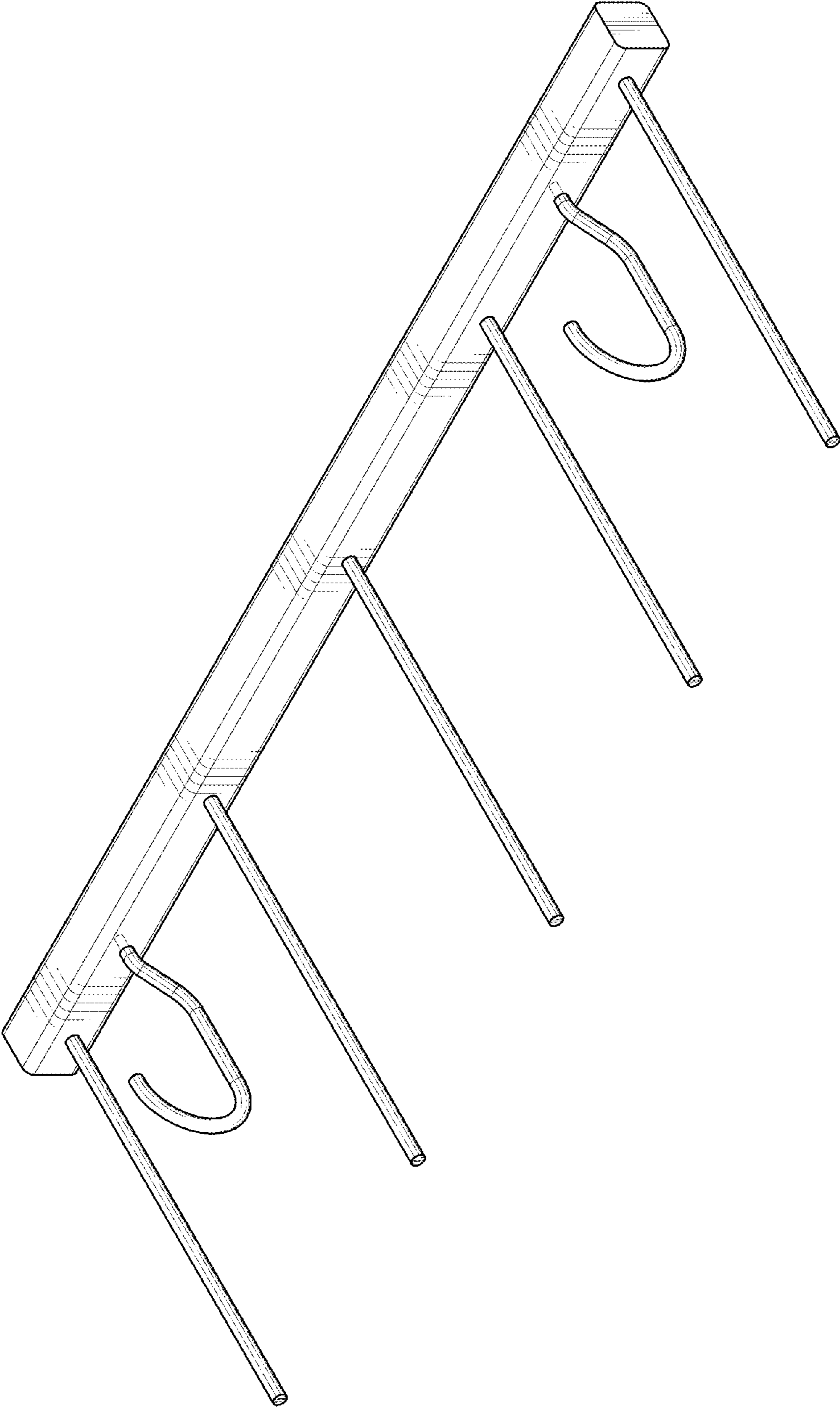


Fig. 1

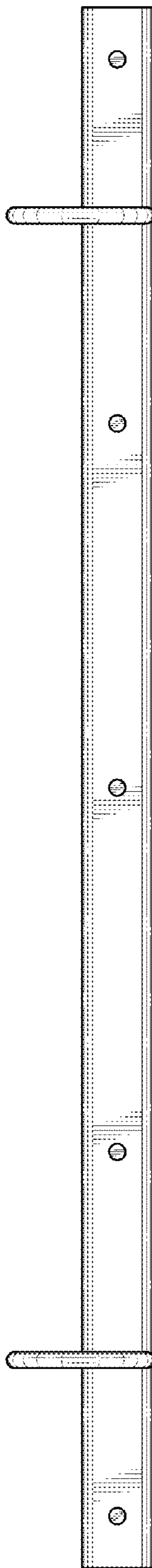


Fig. 2

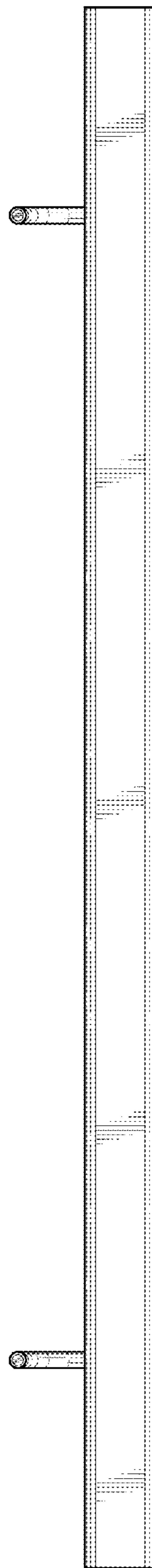
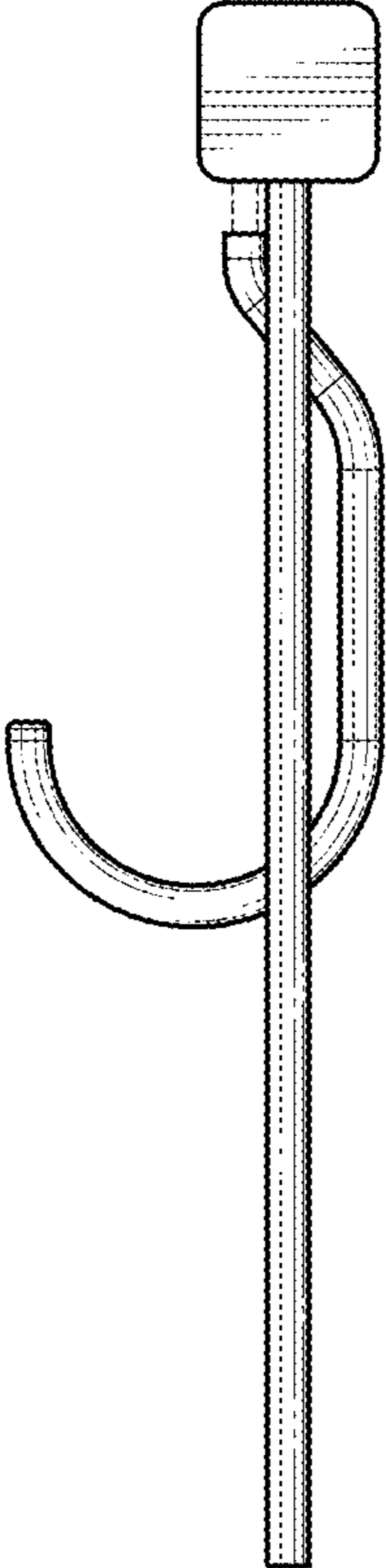
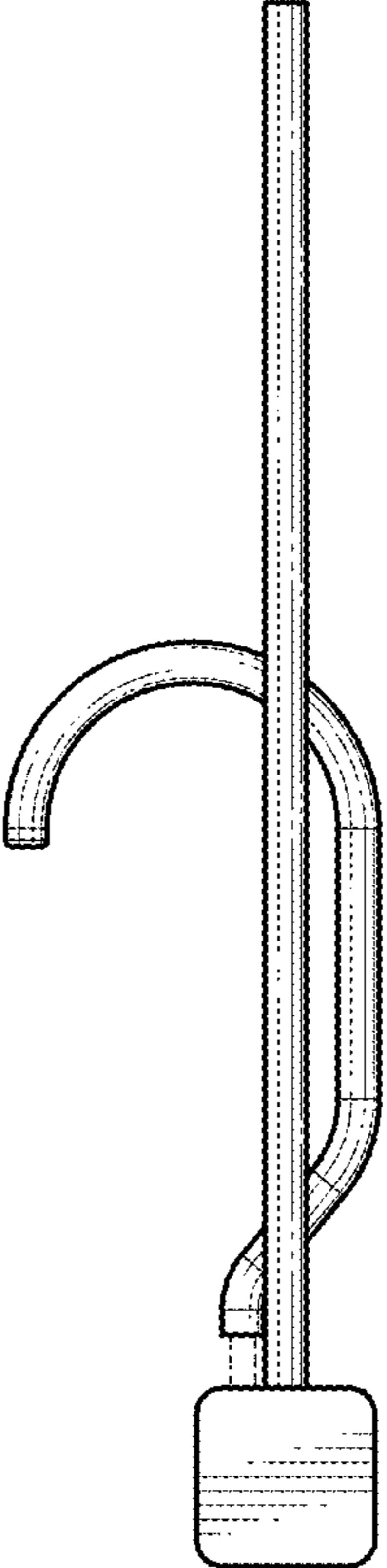


Fig. 3



**Fig. 4**



**Fig. 5**

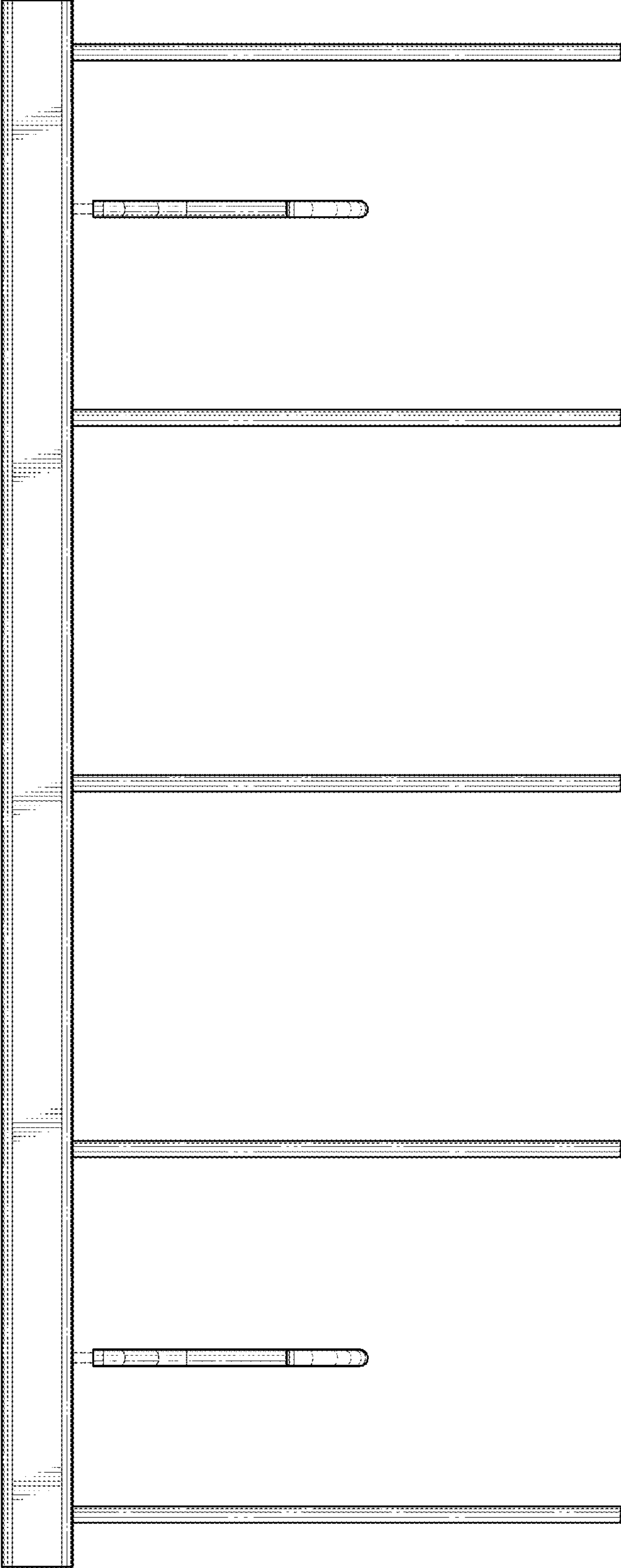


Fig. 6

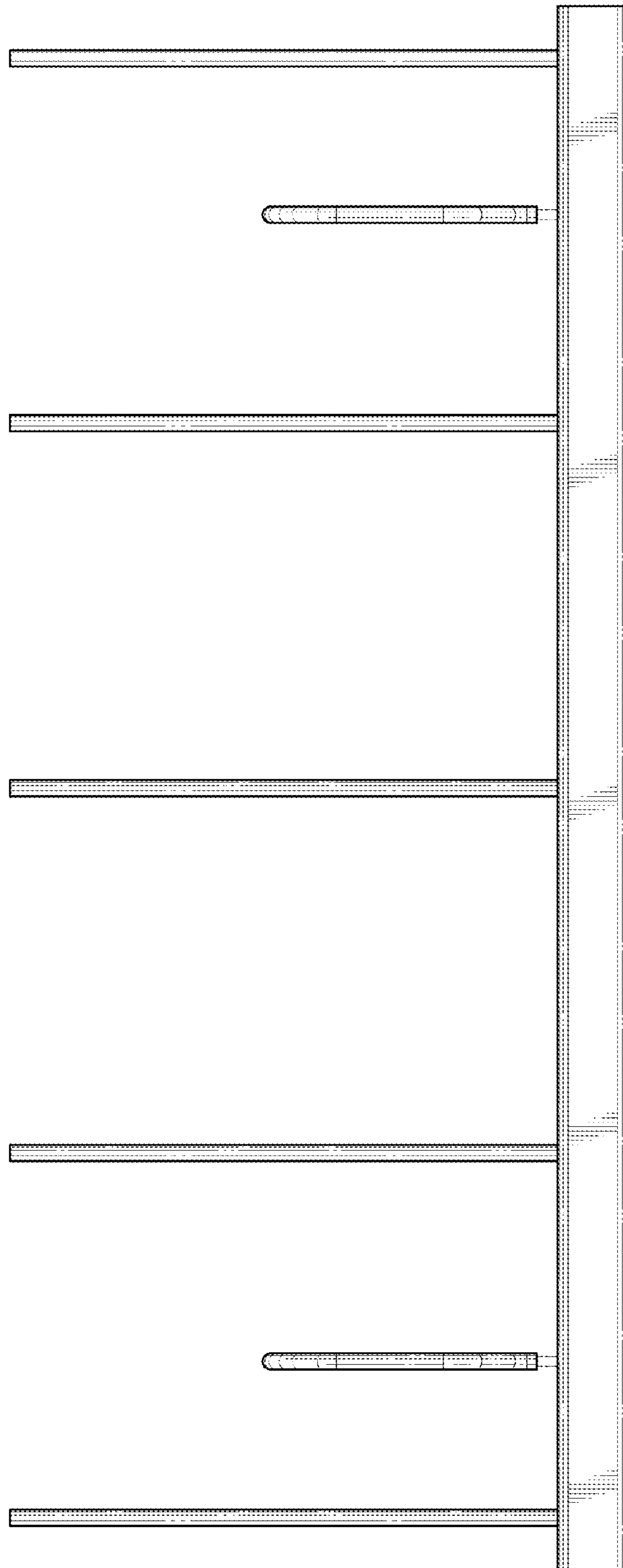


Fig. 7