



US00D720138S

(12) **United States Design Patent**
Schuler

(10) **Patent No.:** **US D720,138 S**
(45) **Date of Patent:** **** Dec. 30, 2014**

- (54) **HAIR BRUSH**
- (71) Applicant: **Conair Corporation**, Stamford, CT (US)
- (72) Inventor: **Jason Scott Schuler**, New York, NY (US)
- (73) Assignee: **Conair Corporation**, Stamford, CT (US)
- (**) Term: **14 Years**
- (21) Appl. No.: **29/494,454**
- (22) Filed: **Jun. 20, 2014**
- (51) **LOC (10) Cl.** **04-02**
- (52) **U.S. Cl.**
USPC **D4/128**
- (58) **Field of Classification Search**
USPC D4/128, 129, 131, 136, 138, 108, 109, D4/119; D32/35, 51; 15/104.5, 104.16, 15/104.2, 104.31, 104.32, 164, 165, 206; D28/65; D7/682; 452/298, 458
See application file for complete search history.

- 6,817,053 B2 11/2004 Nakamura
- D507,681 S 7/2005 Choi et al.
- D510,192 S 10/2005 Kampel et al.
- D510,811 S * 10/2005 Kampel et al. D4/128
- D514,329 S * 2/2006 Kampel et al. D4/128
- D529,720 S 10/2006 Chang
- D543,363 S 5/2007 Leung
- 7,210,186 B2 5/2007 Bigio

(Continued)

FOREIGN PATENT DOCUMENTS

KR 30-0736574 3/2014

OTHER PUBLICATIONS

Lung Tain (Brothers) Co. Ltd., 2003 [online], Professional Hair-brush—item No. 1160M/N [retrieved on Sep. 7, 2014] Retrieved from the internet using Web Archive: <URL: http://web.archive.org/web/*/http://www.lungtain.com>.

Primary Examiner — Austin Murphy

(74) *Attorney, Agent, or Firm* — Carter, DeLuca, Farrell & Schmidt, LLP

(57) **CLAIM**

The ornamental design for the hair brush, as shown and described.

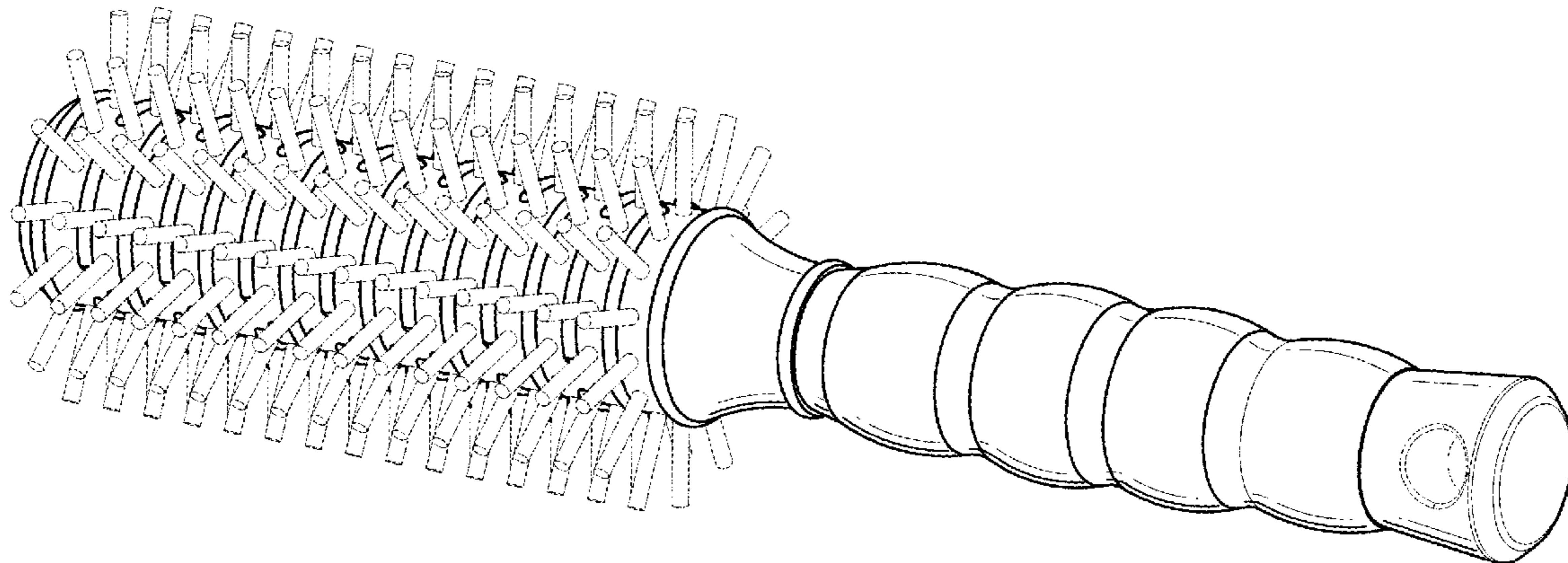
DESCRIPTION

FIG. 1 is a perspective view of the hair brush in accordance with the principles of the present disclosure; FIG. 2 is a rear axial view of the hair brush; FIG. 3 is a first side elevation view of the hair brush; FIG. 4 is a front axial view of the hair brush; and, FIG. 5 is a second side elevation view of the hair brush. Any portions of the figures shown in broken lines are for illustrative purposes only and form no part of the claimed design.

1 Claim, 3 Drawing Sheets

(56) **References Cited**
U.S. PATENT DOCUMENTS

- D206,527 S 12/1966 Montecalvo
- D366,761 S 2/1996 Gertsma et al.
- 5,911,226 A 6/1999 Vecchiola et al.
- 5,979,463 A 11/1999 Santy, III et al.
- D422,793 S 4/2000 Levin et al.
- 6,047,704 A 4/2000 Giordano
- 6,070,597 A 6/2000 Motherhead
- D438,056 S 2/2001 Lai
- D453,077 S 1/2002 Chen
- 6,647,582 B1 11/2003 Rechelbacher
- 6,681,435 B2 1/2004 Wang
- 6,739,016 B2 5/2004 Bigio



(56)

References Cited

U.S. PATENT DOCUMENTS

D557,017 S *	12/2007	Kampel et al.	D4/128	7,930,793 B2	4/2011	Stydahar	
D562,004 S	2/2008	Petruccelli, Sr.		D652,219 S *	1/2012	Park	D4/128
7,448,111 B2	11/2008	Bigio		D653,038 S	1/2012	Park	
D621,163 S *	8/2010	Rennette	D4/128	D656,738 S *	4/2012	Limongi et al.	D4/128
D625,473 S	10/2010	Matz et al.		D658,892 S *	5/2012	Console	D4/121
D627,568 S *	11/2010	Rennette	D4/128	D696,026 S *	12/2013	Park	D4/128
D627,974 S	11/2010	Chang		D696,027 S *	12/2013	Park	D4/128
D631,665 S *	2/2011	Shon	D4/128	D696,028 S *	12/2013	Park	D4/128
				D710,114 S *	8/2014	Yao	D4/128
				2014/0075694 A1	3/2014	Toh	

* cited by examiner

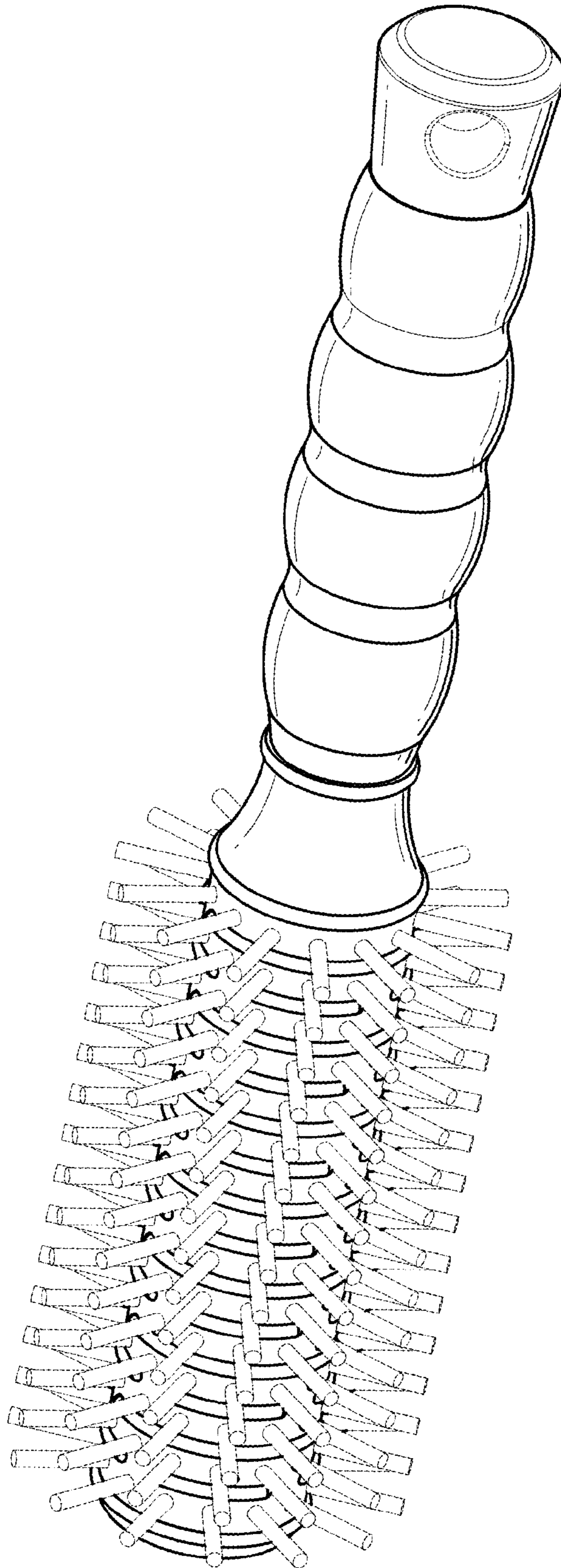


FIG. 1

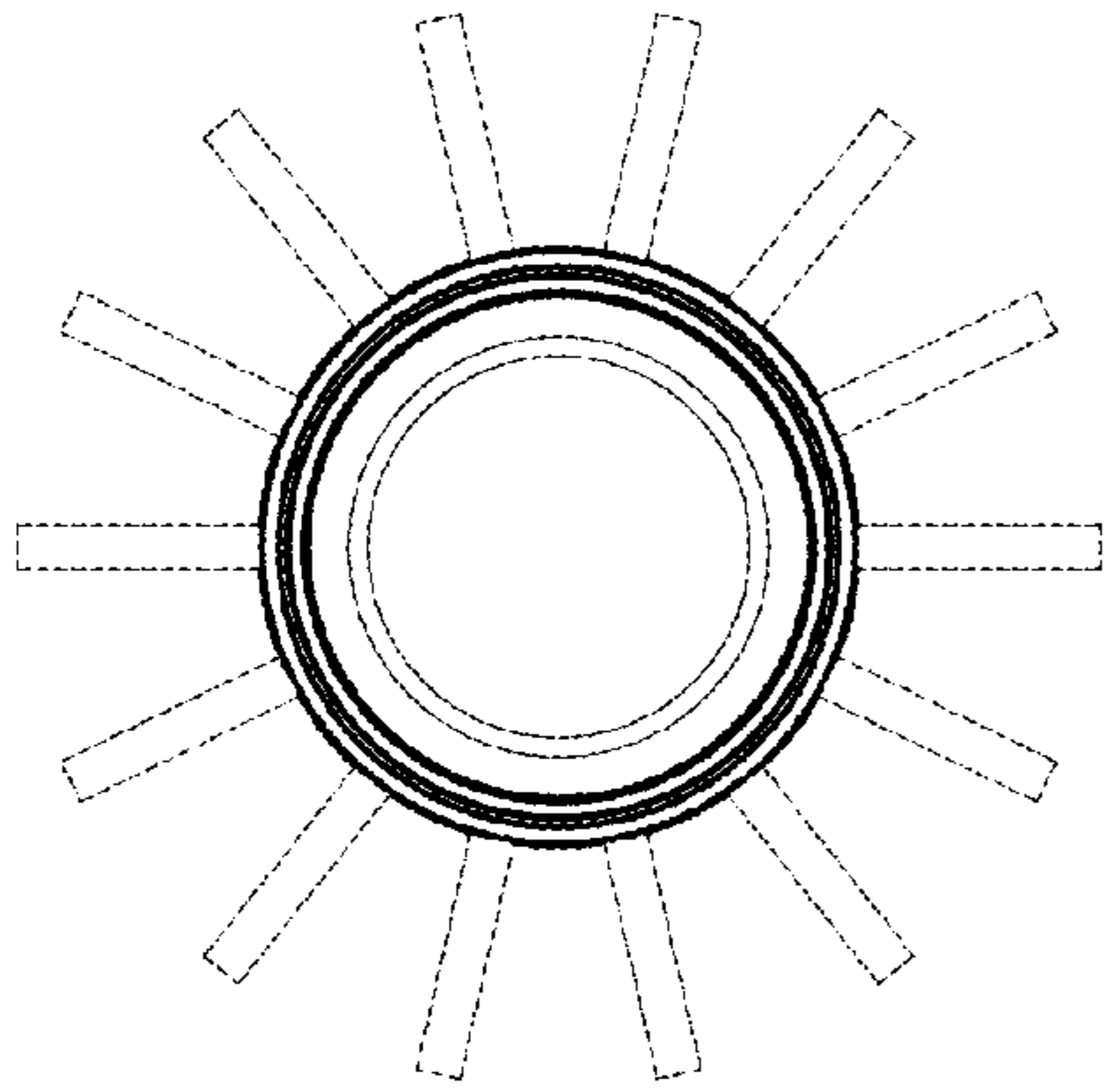


FIG. 2

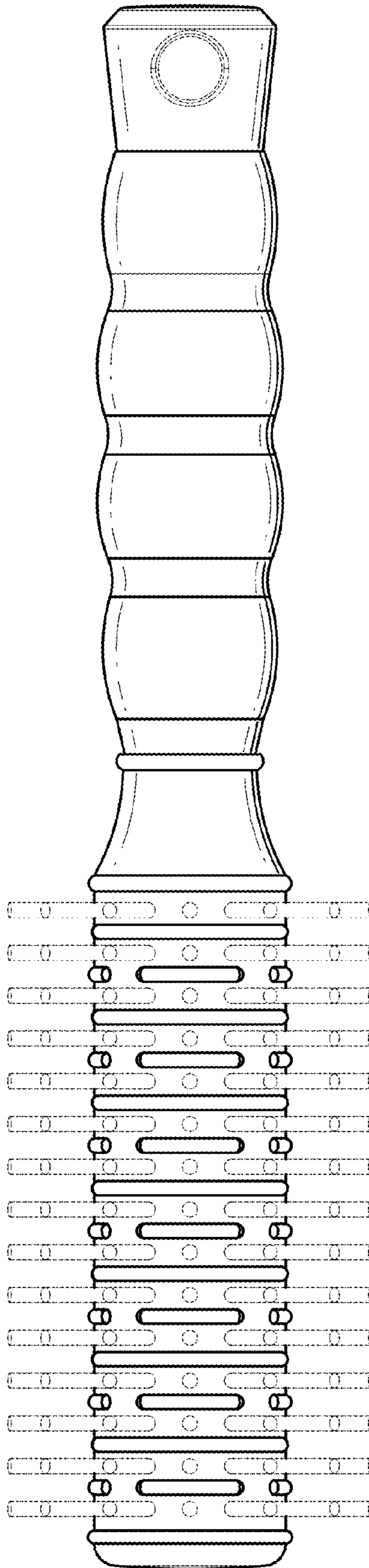


FIG. 3

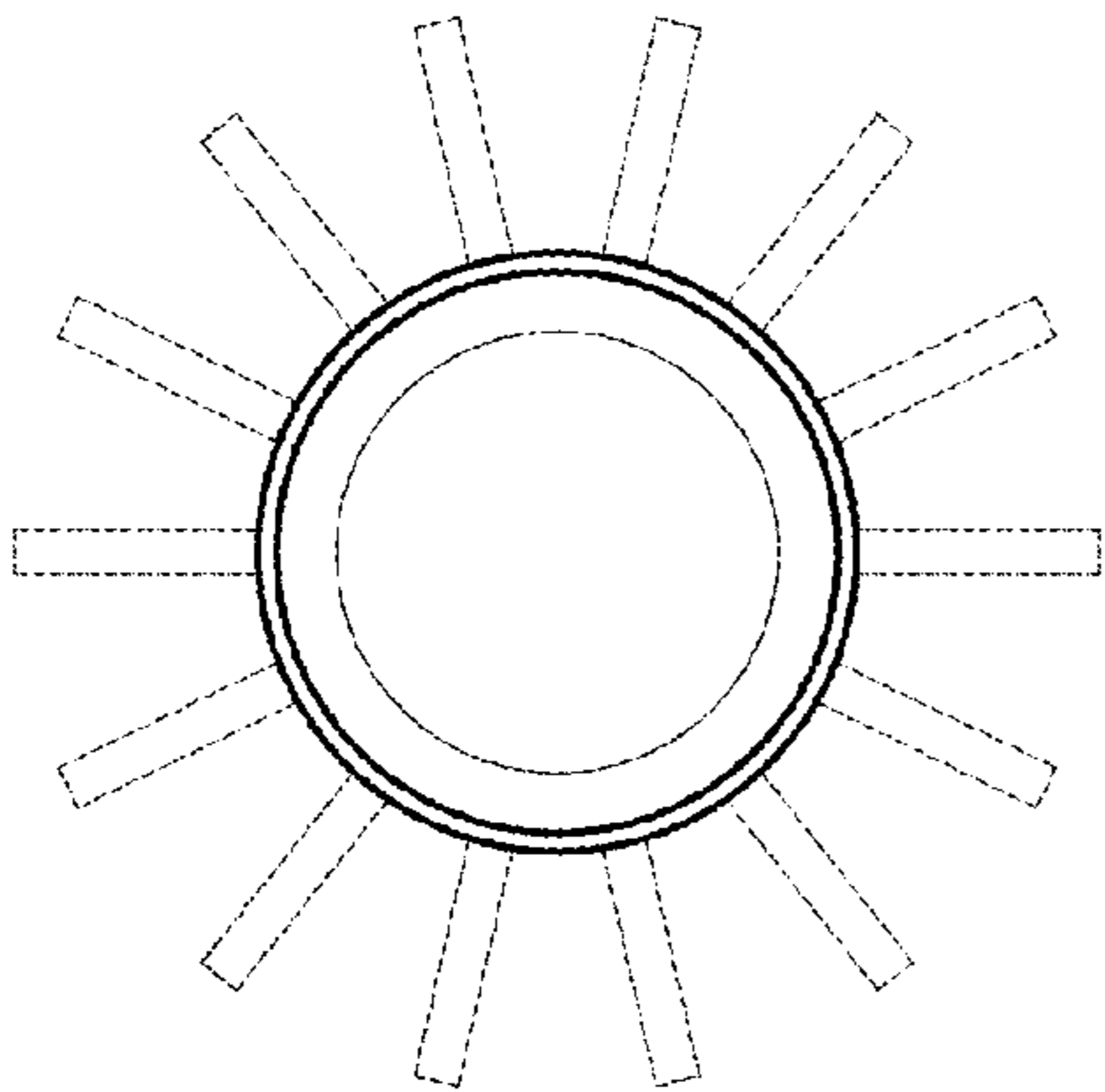


FIG. 4

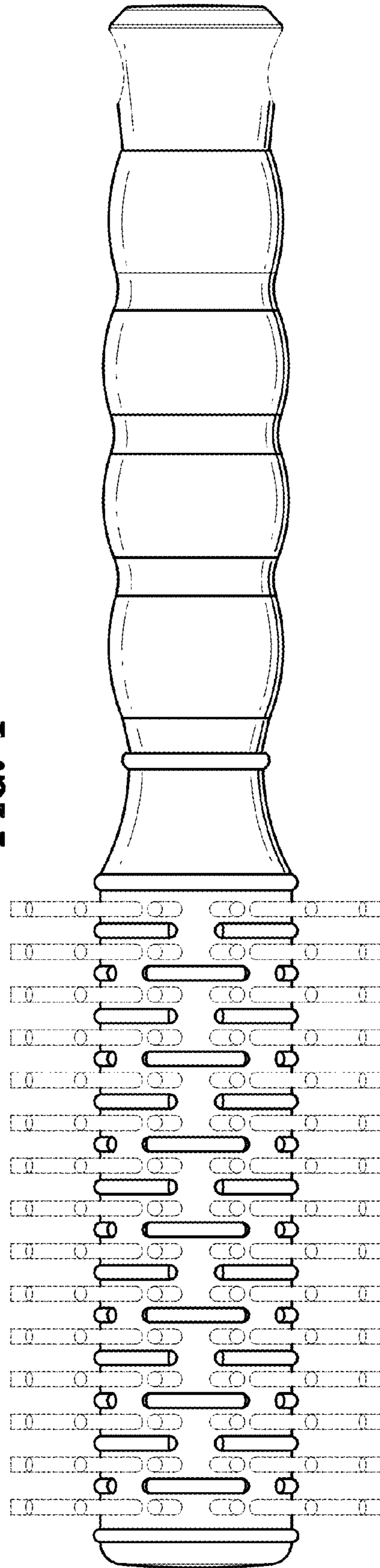


FIG. 5