



US00D720137S

(12) **United States Design Patent**
Schuler

(10) **Patent No.:** **US D720,137 S**

(45) **Date of Patent:** **** Dec. 30, 2014**

(54) **HAIR BRUSH**

(71) Applicant: **Conair Corporation**, Stamford, CT
(US)

(72) Inventor: **Jason Scott Schuler**, New York, NY
(US)

(73) Assignee: **Conair Corporation**, Stamford, CT
(US)

(**) Term: **14 Years**

(21) Appl. No.: **29/494,445**

(22) Filed: **Jun. 20, 2014**

(51) **LOC (10) Cl.** **04-02**

(52) **U.S. Cl.**
USPC **D4/128**

(58) **Field of Classification Search**
USPC D4/128, 129, 131, 136, 138, 108, 109,
D4/119; D32/35, 51; 15/104.5, 104.16,
15/104.2, 104.31, 104.32, 164, 165, 206;
D28/65; D7/682; 452/298, 458
See application file for complete search history.

(56) **References Cited**

U.S. PATENT DOCUMENTS

D206,527 S	12/1966	Montecalvo
D366,761 S	2/1996	Gertsma et al.
5,911,226 A	6/1999	Vecchiola et al.
5,979,463 A	11/1999	Santy, III et al.
D422,793 S	4/2000	Levin et al.
6,047,704 A	4/2000	Giordano
6,070,597 A	6/2000	Motherhead
D438,056 S	2/2001	Lai
D453,077 S	1/2002	Chen
6,647,582 B1	11/2003	Rechelbacher
6,681,435 B2	1/2004	Wang
6,739,016 B2	5/2004	Bigio

6,817,053 B2	11/2004	Nakamura
D507,681 S	7/2005	Choi et al.
D510,192 S	10/2005	Kampel et al.
D510,811 S *	10/2005	Kampel et al. D4/128
D514,329 S *	2/2006	Kampel et al. D4/128
D529,720 S	10/2006	Chang
D543,363 S	5/2007	Leung
7,210,186 B2	5/2007	Bigio

(Continued)

FOREIGN PATENT DOCUMENTS

KR 30-0736574 3/2014

OTHER PUBLICATIONS

Lung Tain (Brothers) Co. Ltd., 2003 [online], Professional Hair-brush—item No. 1160M/N [retrieved on Sep. 7, 2014] Retrieved from the internet using Web Archive: <URL: http://web.archive.org/web/*/http://www.lungtain.com>.

Primary Examiner — Austin Murphy

(74) *Attorney, Agent, or Firm* — Carter, DeLuca, Farrell & Schmidt, LLP

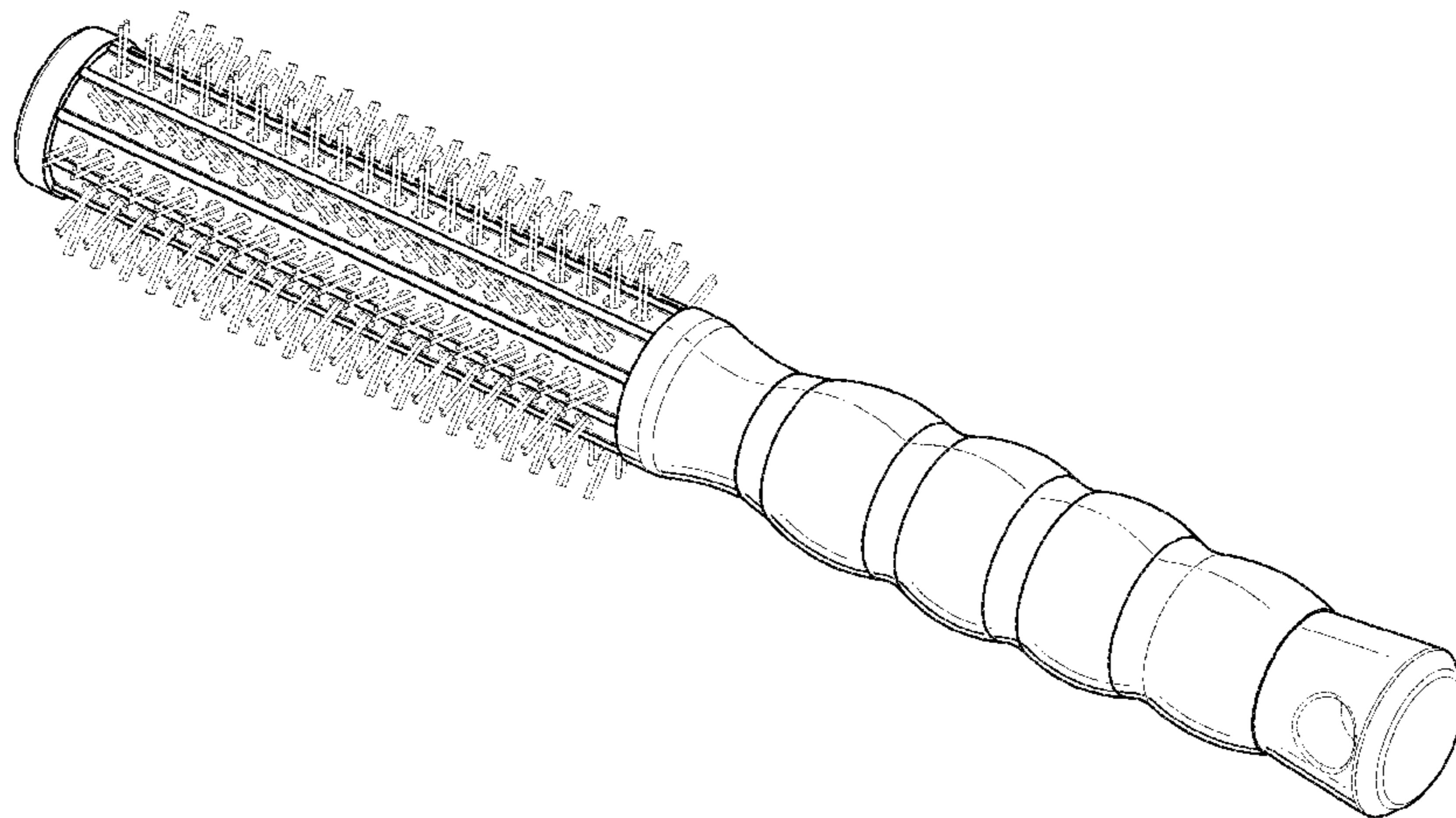
(57) **CLAIM**

The ornamental design for the hair brush, as shown and described.

DESCRIPTION

FIG. 1 is a first perspective view of the hair brush in accordance with the principles of the present disclosure; FIG. 2 is a rear axial view of the hair brush; FIG. 3 is a first side elevation view of the hair brush; FIG. 4 is a front axial view of the hair brush; and, FIG. 5 is a second side elevation view of the hair brush; Any portions of the figures shown in broken lines are for illustrative purposes only and form no part of the claimed design.

1 Claim, 3 Drawing Sheets



(56)

References Cited

U.S. PATENT DOCUMENTS

D557,017 S *	12/2007	Kampel et al.	D4/128	7,930,793 B2	4/2011	Stydahar	
D562,004 S	2/2008	Petruccelli, Sr.		D652,219 S *	1/2012	Park	D4/128
7,448,111 B2	11/2008	Bigio		D653,038 S	1/2012	Park	
D621,163 S *	8/2010	Rennette	D4/128	D656,738 S *	4/2012	Limongi et al.	D4/128
D625,473 S	10/2010	Matz et al.		D658,892 S *	5/2012	Console	D4/121
D627,568 S *	11/2010	Rennette	D4/128	D696,026 S *	12/2013	Park	D4/128
D627,974 S	11/2010	Chang		D696,027 S *	12/2013	Park	D4/128
D631,665 S *	2/2011	Shon	D4/128	D696,028 S *	12/2013	Park	D4/128
				D710,114 S *	8/2014	Yao	D4/128
				2014/0075694 A1	3/2014	Toh	

* cited by examiner

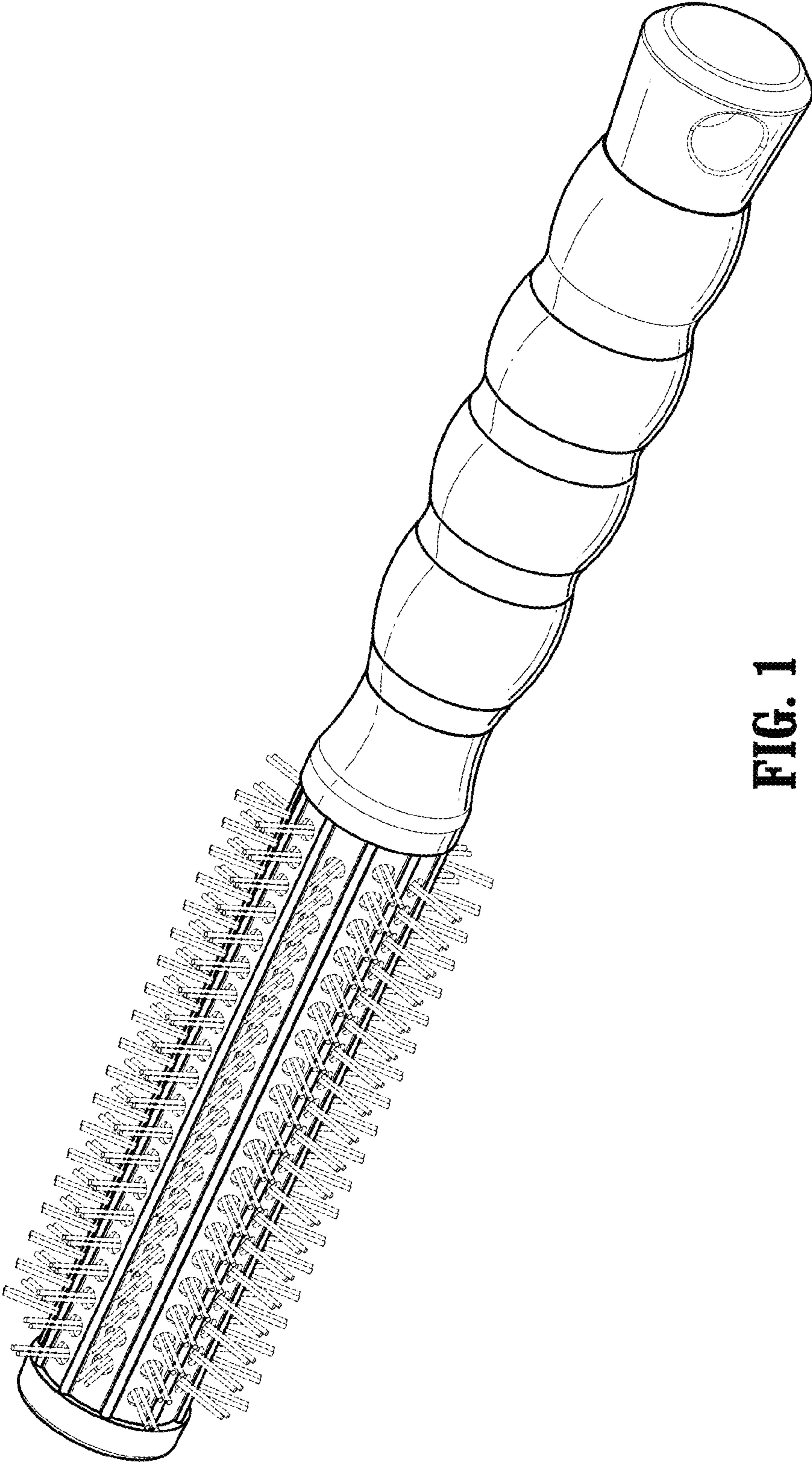


FIG. 1

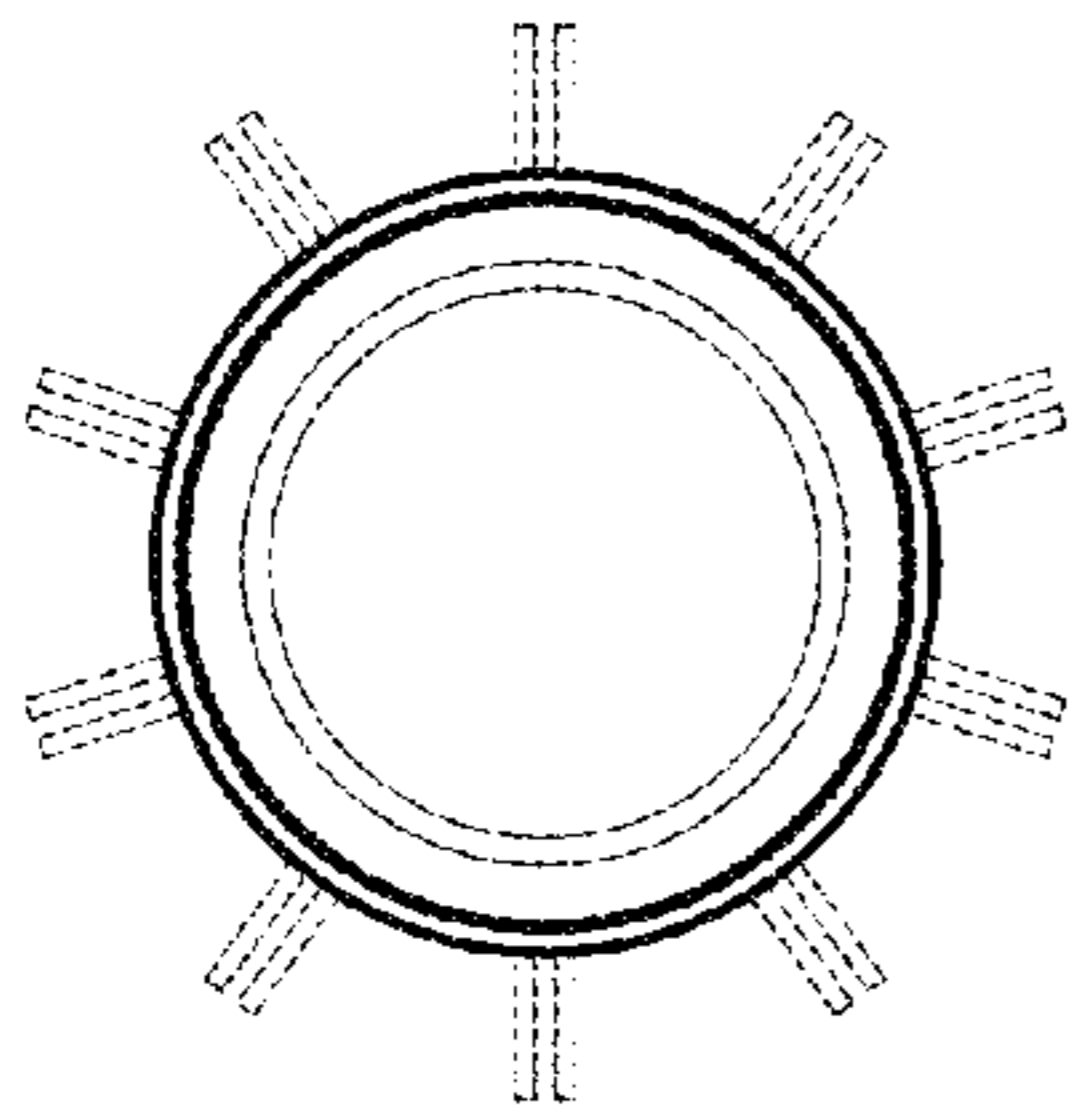


FIG. 2

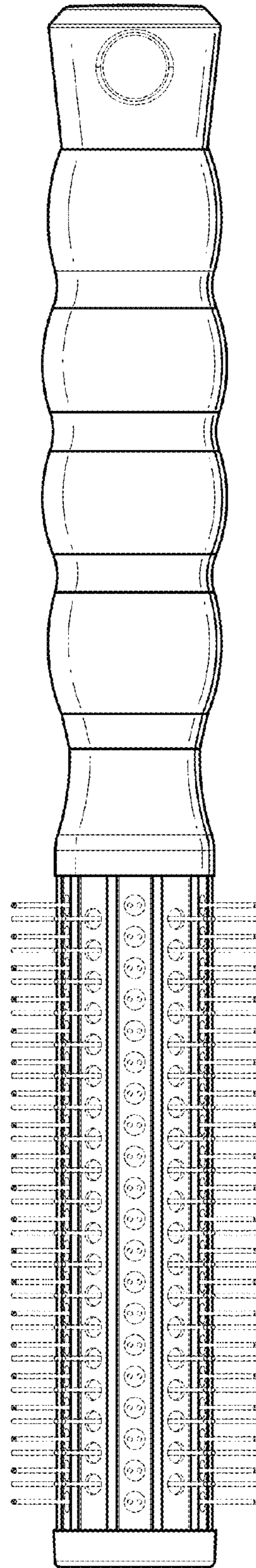


FIG. 3

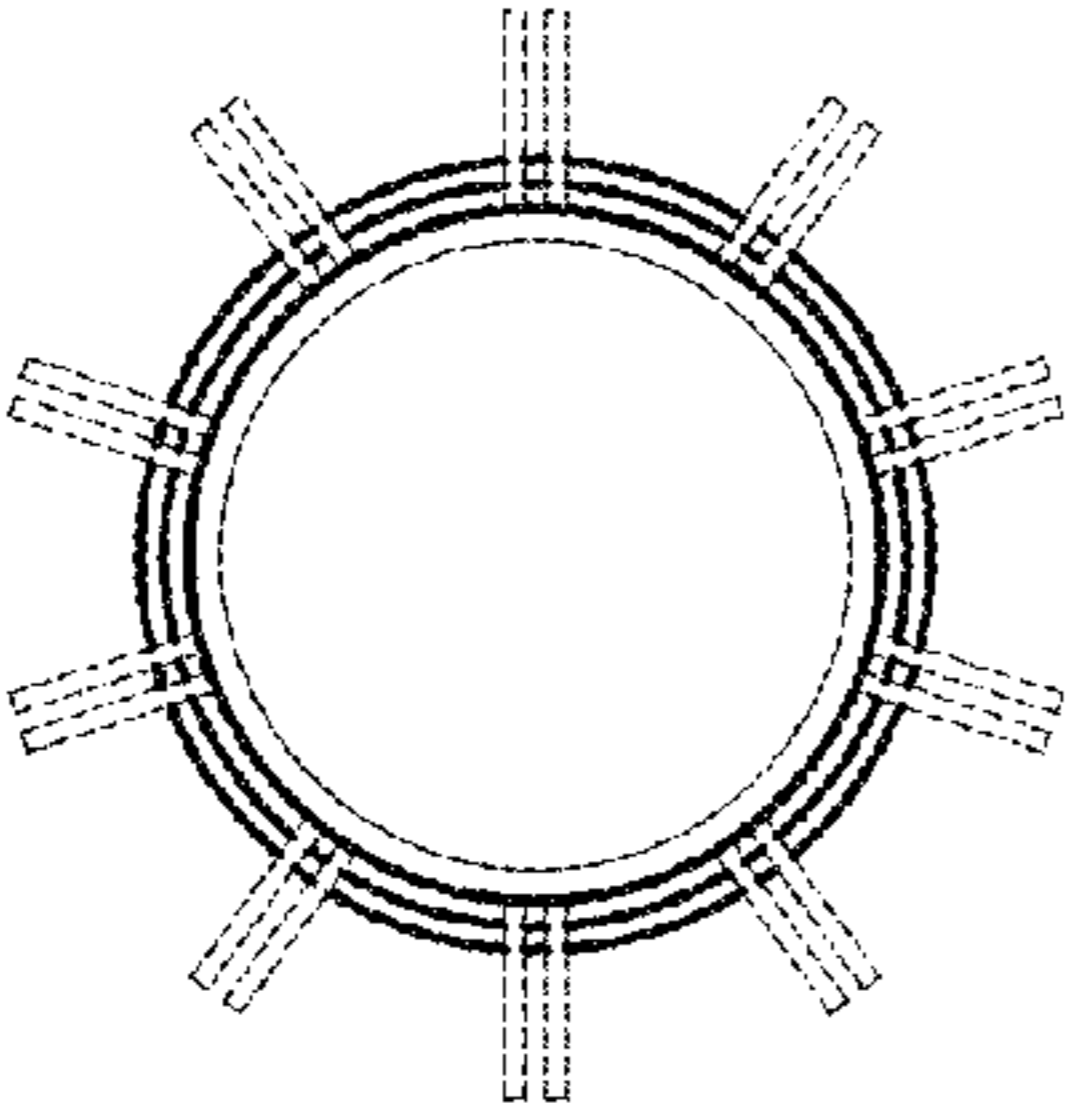


FIG. 4

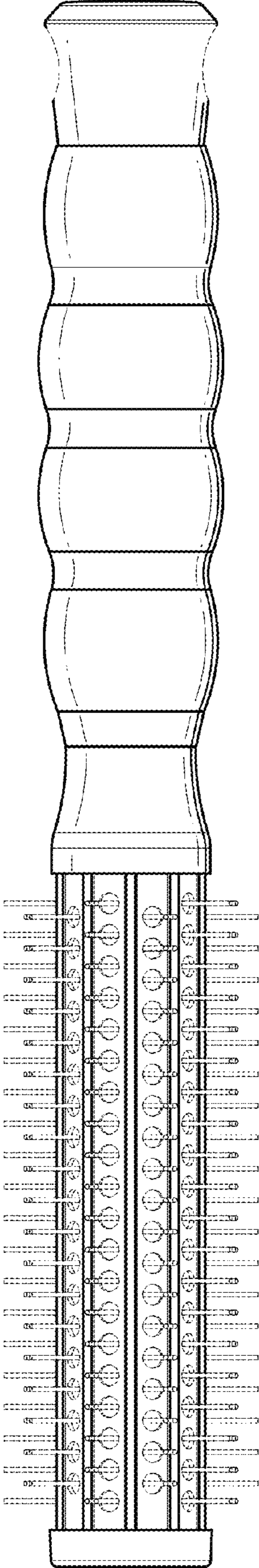


FIG. 5