



US00D720136S

(12) **United States Design Patent**  
**Scalzo**

(10) **Patent No.:** **US D720,136 S**

(45) **Date of Patent:** **\*\* Dec. 30, 2014**

(54) **BOX STRAP**

(76) Inventor: **Frederick T. Scalzo**, San Juan  
Capistrano, CA (US)

(\*\*) Term: **14 Years**

(21) Appl. No.: **29/416,848**

(22) Filed: **Mar. 27, 2012**

(51) **LOC (10) CI.** ..... **03-99**

(52) **U.S. Cl.**  
USPC ..... **D3/328**

(58) **Field of Classification Search**

USPC ..... D3/201, 202, 221, 224, 228, 232-234,  
D3/318-328; 294/149-152, 156, 157;  
190/115; 24/300; 224/149, 150

See application file for complete search history.

(56) **References Cited**

**U.S. PATENT DOCUMENTS**

4,431,226	A *	2/1984	Weilert	294/150
4,832,393	A *	5/1989	Pitchford	294/156
D367,761	S *	3/1996	Knutson	D3/327
5,695,234	A *	12/1997	Coticchio et al.	294/152
D417,959	S *	12/1999	Albaugh et al.	D3/328
6,161,261	A *	12/2000	Shaw et al.	24/300
6,908,131	B2 *	6/2005	Main et al.	294/150
D566,967	S *	4/2008	Hill et al.	D3/327
7,841,635	B2 *	11/2010	Fuchs	294/150
7,926,860	B2 *	4/2011	Hill et al.	294/152

2009/0200347 A1\* 8/2009 Edralin ..... 224/250

\* cited by examiner

*Primary Examiner* — Ian Simmons

*Assistant Examiner* — Rashida C McCoy

(74) *Attorney, Agent, or Firm* — QuickPatents; Kevin Prince

(57) **CLAIM**

I claim the ornamental design for a box strap, as shown and described.

**DESCRIPTION**

FIG. 1 is a perspective view of a box strap, showing my new design in a deployed configuration;

FIG. 2 is a bottom perspective view thereof, illustrated in a flat configuration;

FIG. 3 is a right-side elevational view of FIG. 2, the left-side elevational view being a mirror image thereof;

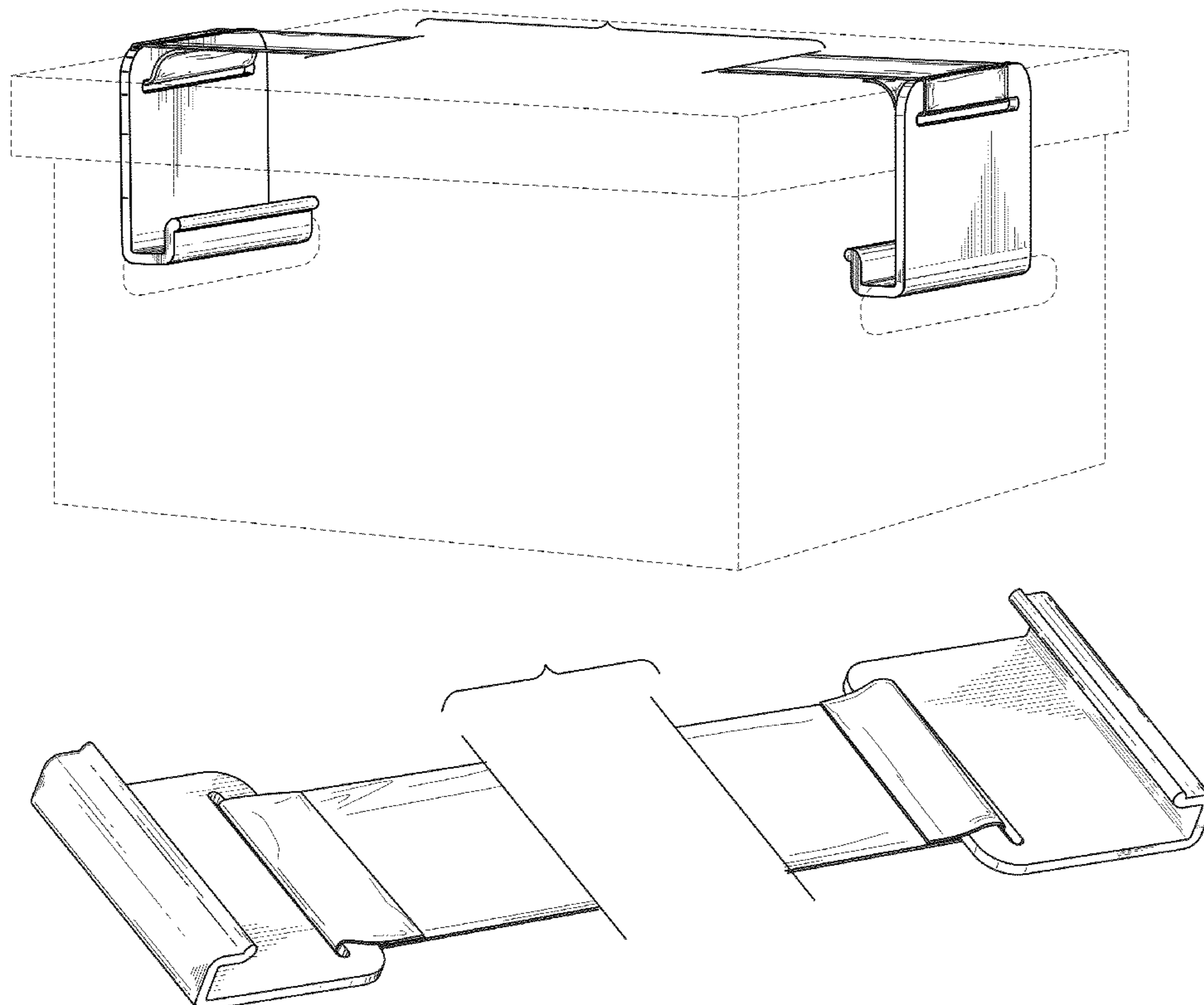
FIG. 4 is a front elevational view of FIG. 2, the rear elevational view being a mirror image thereof;

FIG. 5 is a top plan view thereof; and,

FIG. 6 is a bottom plan view thereof.

The strap is shown broken away in the middle along the length to indicate indeterminate length, with the understanding that the “indeterminate” length portion of the strap not shown forms no part of the claimed design. Patentability is based only on those portions of the article that are shown in solid lines.

**1 Claim, 4 Drawing Sheets**



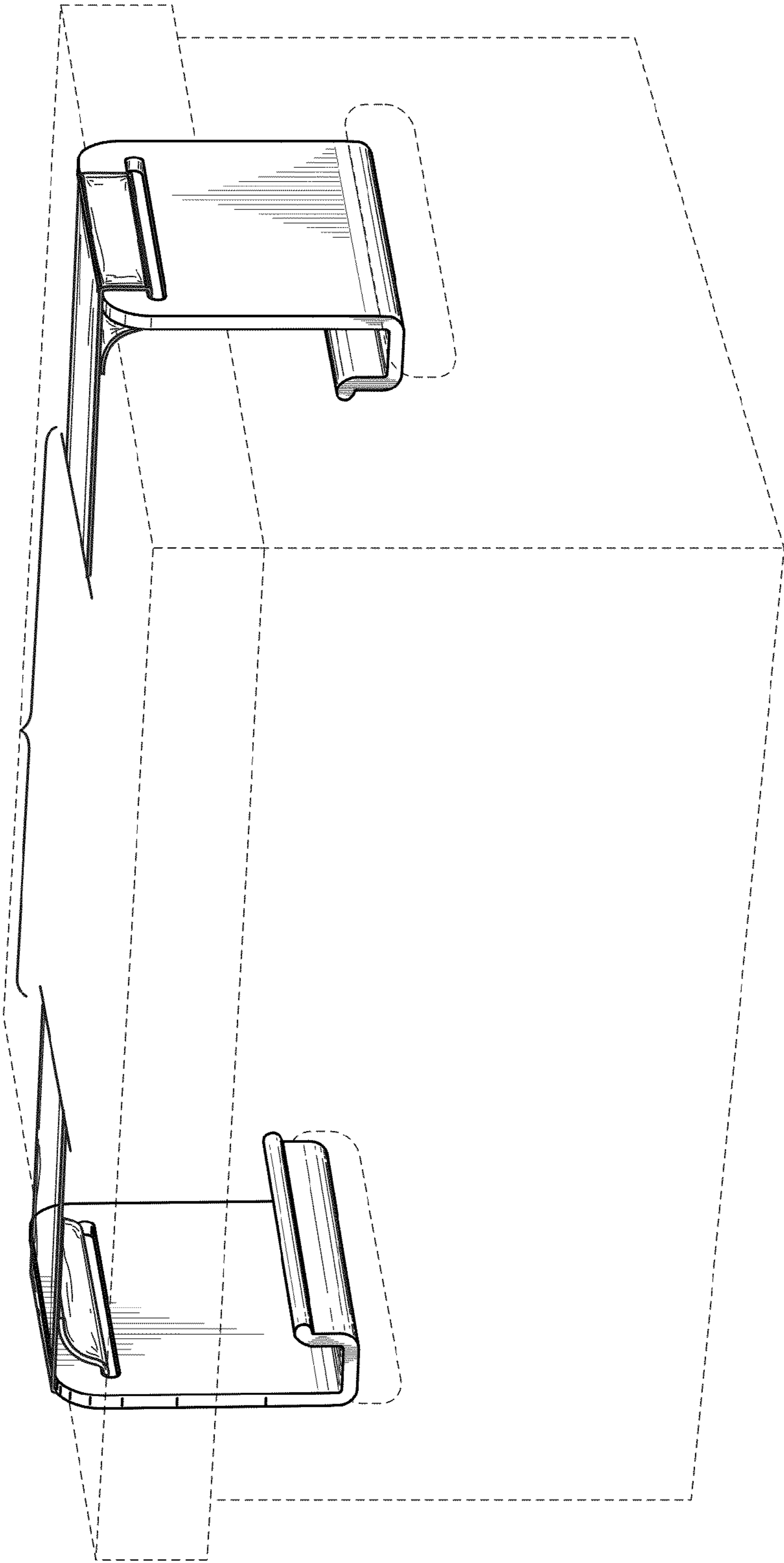


FIG. 1

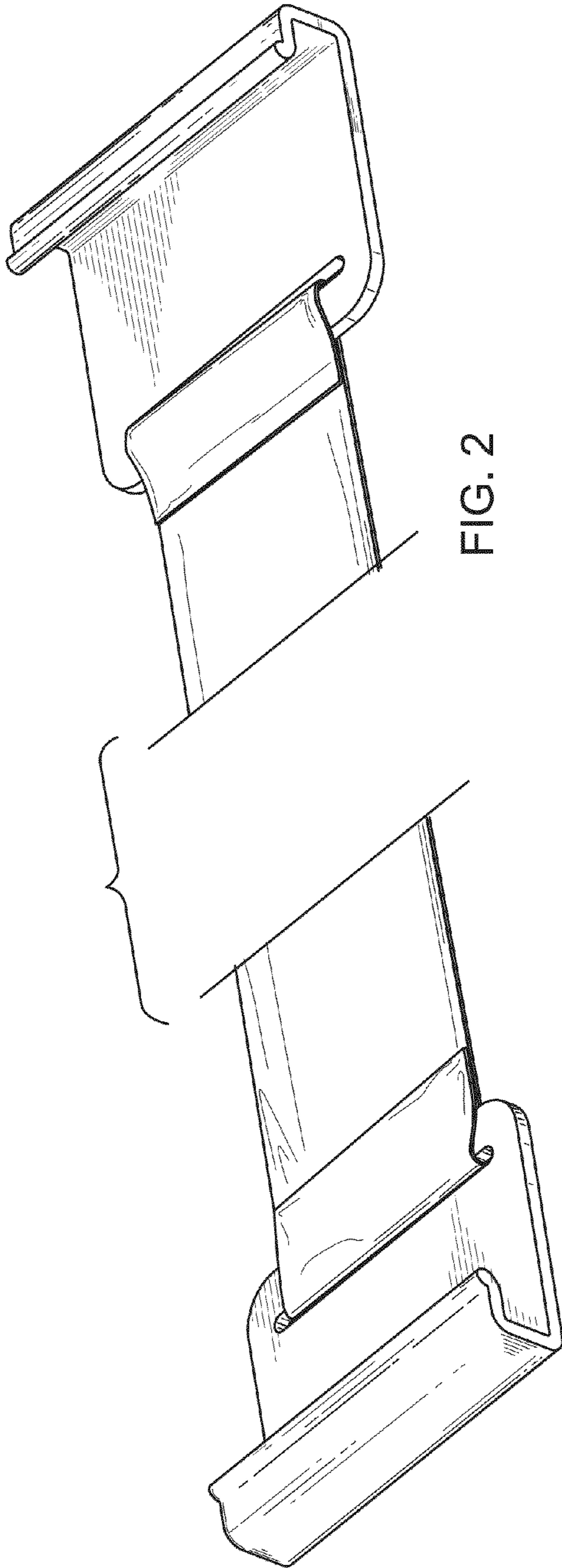


FIG. 2

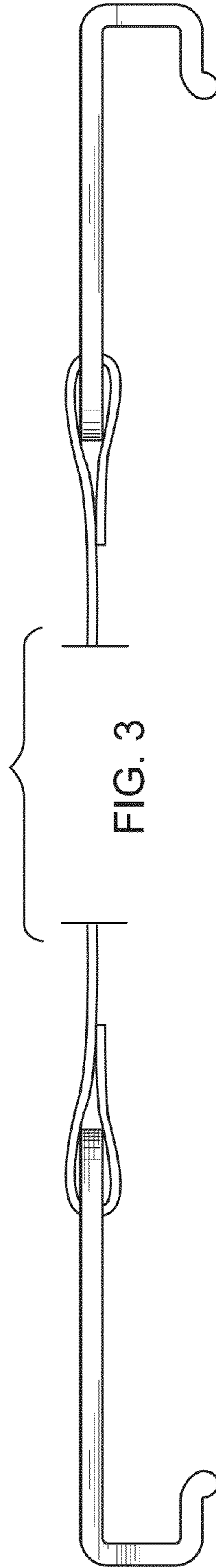


FIG. 3

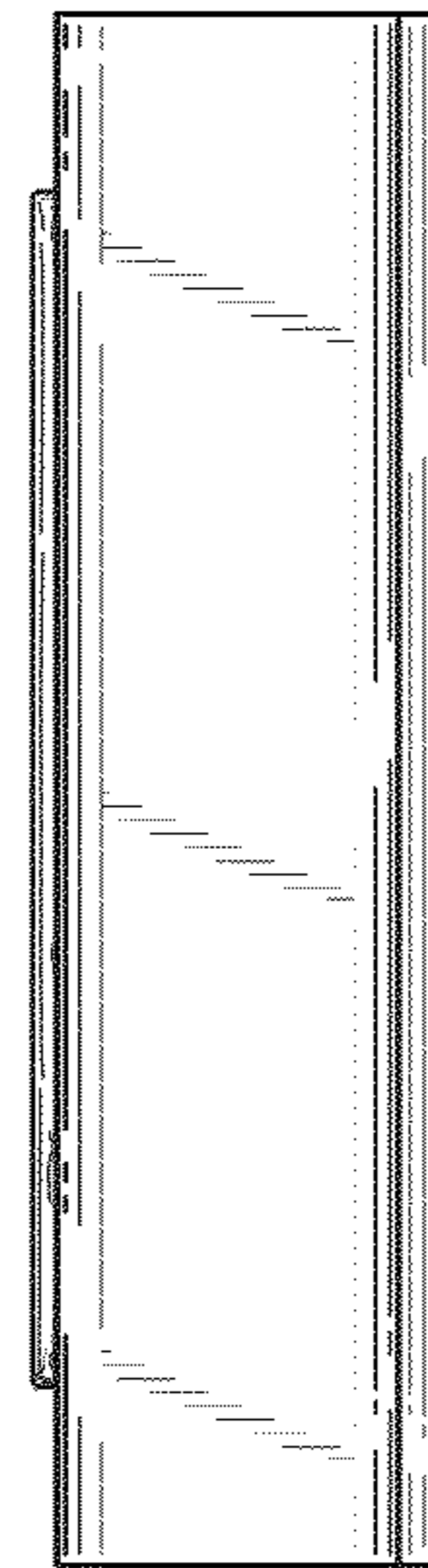


FIG. 4

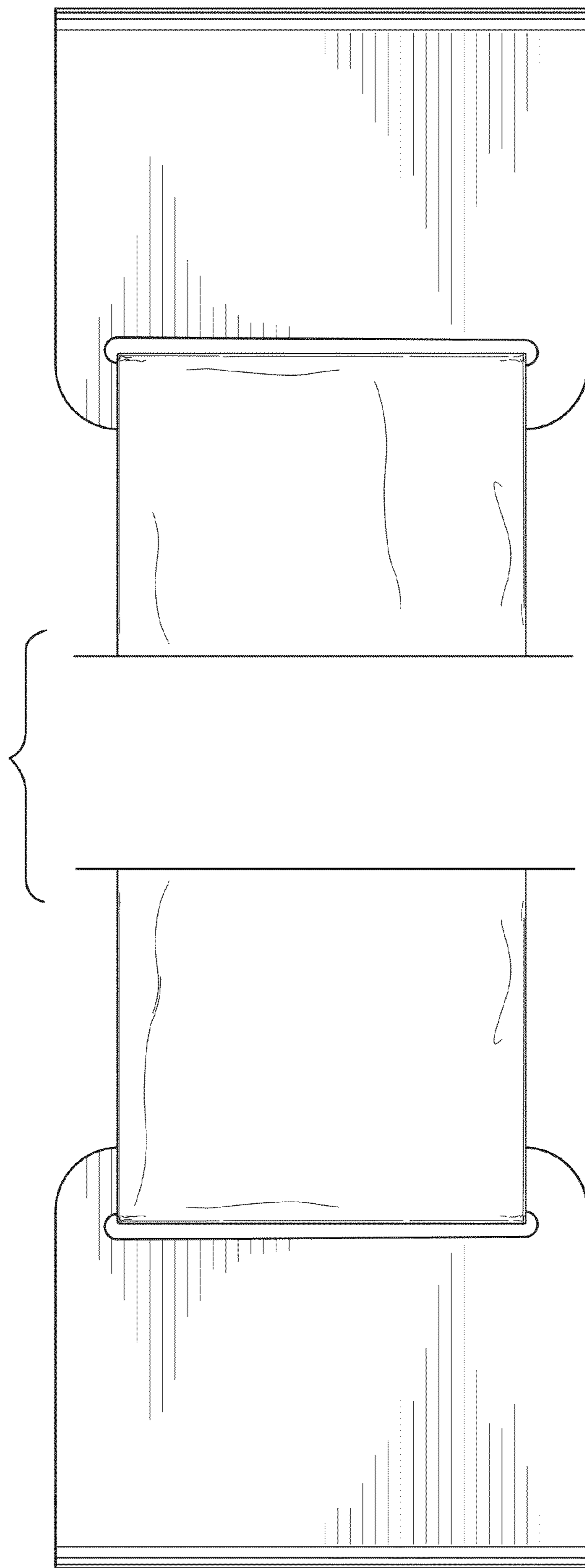


FIG. 5



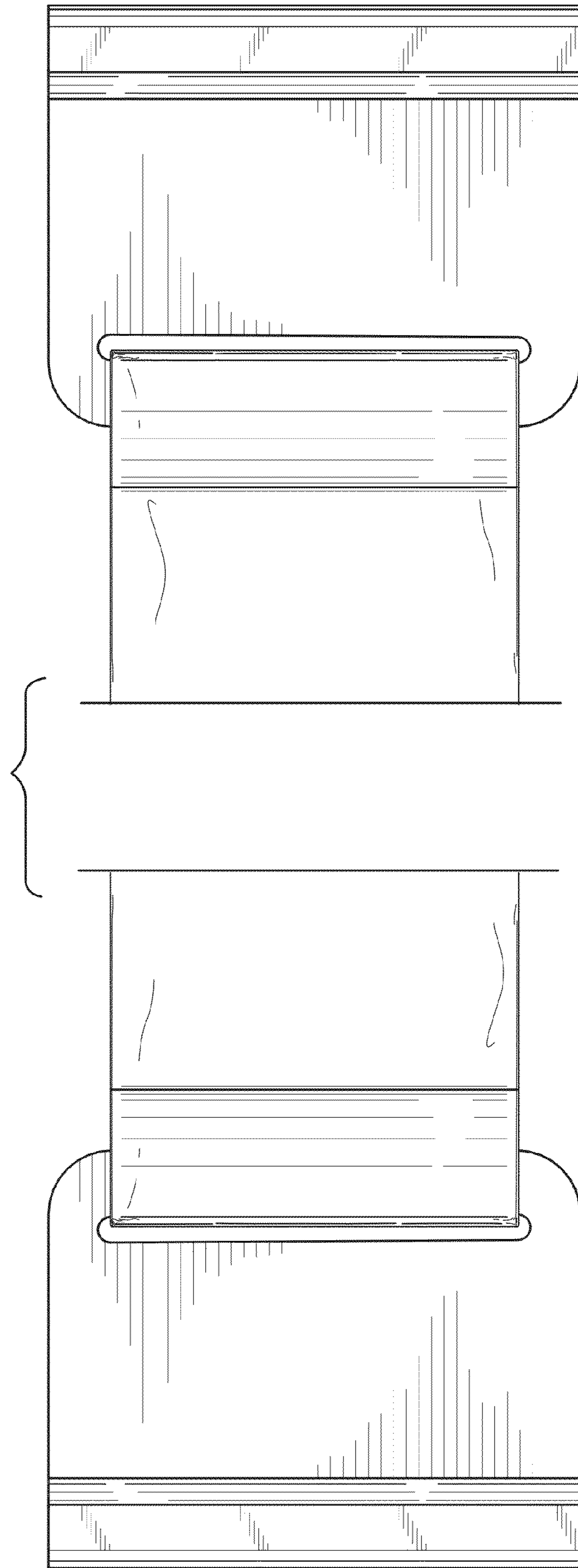


FIG. 6