



US00D720135S

(12) **United States Design Patent**  
**Leuty**

(10) **Patent No.:** **US D720,135 S**

(45) **Date of Patent:** **\*\* Dec. 30, 2014**

(54) **ILLUMINATED INTERIOR LIGHTING  
ELEMENT FOR HANDBAG**

*Primary Examiner* — Holly Baynham

(74) *Attorney, Agent, or Firm* — Geiser Law, PLLC; Greg N. Geiser

(71) Applicant: **Tamara Ann Leuty**, Las Vegas, NV  
(US)

(72) Inventor: **Tamara Ann Leuty**, Las Vegas, NV  
(US)

(57) **CLAIM**

The ornamental design for an illuminated interior lighting element for a handbag, as shown and described.

(\*\*) Term: **14 Years**

(21) Appl. No.: **29/453,484**

**DESCRIPTION**

(22) Filed: **Apr. 30, 2013**

(51) **LOC (10) Cl.** ..... **03-01**

(52) **U.S. Cl.**  
USPC ..... **D3/318**

(58) **Field of Classification Search**

CPC ..... A45C 3/06; A45C 13/02; A45C 13/26;  
A45C 1/02; A45C 1/024  
USPC ..... D3/232–233, 240–243, 245–246, 318;  
150/100, 103–110, 113–114, 117–119;  
206/317

See application file for complete search history.

FIG. 1 is a perspective view of the new design of an illuminated interior lighting element for a handbag;

FIG. 2 is a right side elevational view taken at the sectioning plane and in the direction indicated by section line 2-2 of FIG. 1 thereof;

FIG. 3 is a rear elevational view taken at the sectioning plane and in the direction indicated by section line 3-3 of FIG. 2 thereof;

FIG. 4 is a left side elevational view taken at the sectioning plane and in the direction indicated by section line 4-4 of FIG. 6 thereof;

FIG. 5 is a top plan view thereof;

FIG. 6 is a front elevational view thereof; and,

FIG. 7 is a bottom view taken at the sectioning plane and in the direction indicated by section line 7-7 of FIG. 6 thereof.

The broken lines showing portions of the handbag are for the purposes of illustrating environment and form no part of the claimed design.

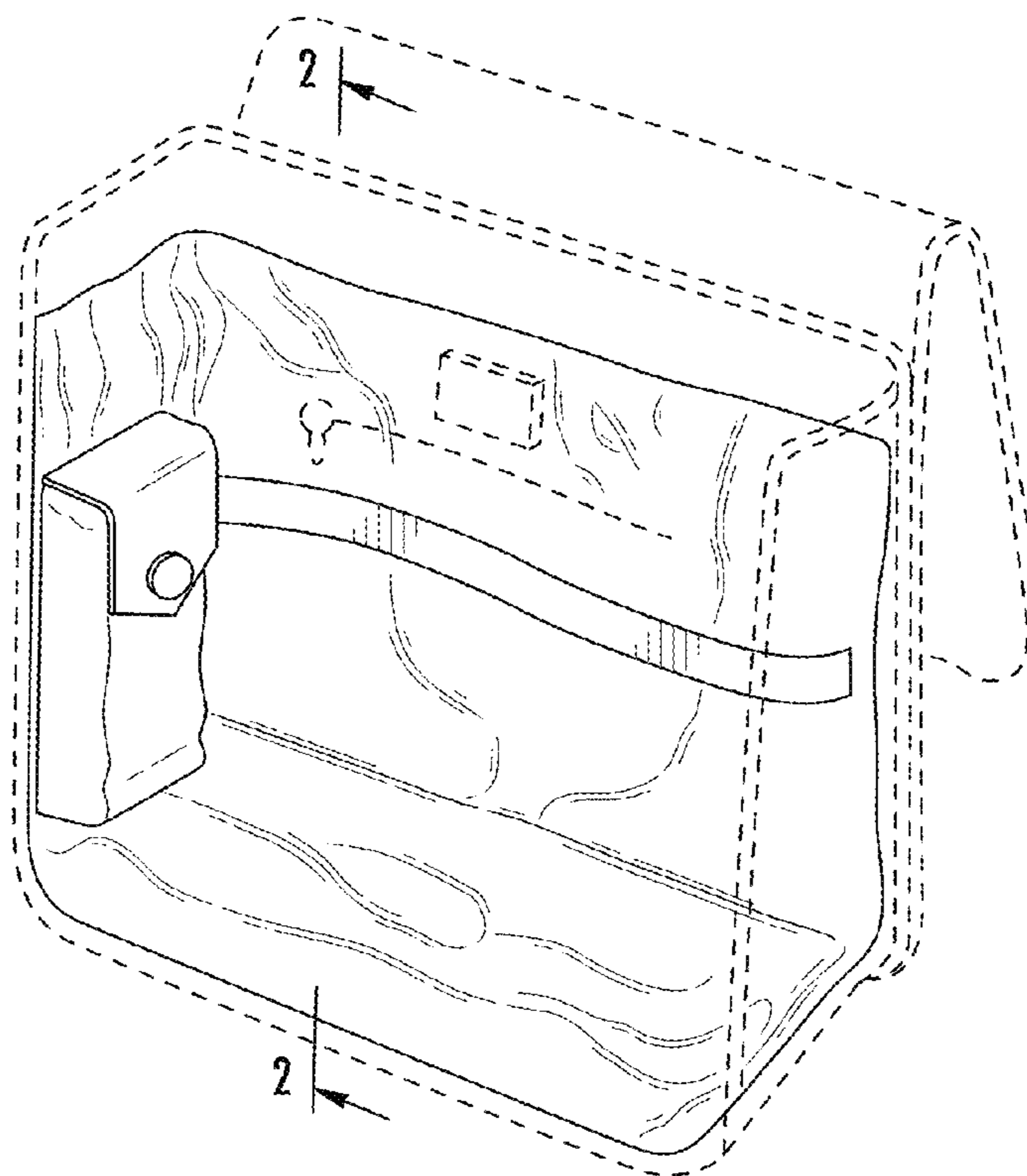
(56) **References Cited**

**U.S. PATENT DOCUMENTS**

6,547,070	B1 *	4/2003	Kolpin	206/317
D516,314	S *	3/2006	Tagliati	D3/319
7,090,076	B2 *	8/2006	Hartstein et al.	206/320
8,267,130	B1 *	9/2012	Sinnott	150/112

\* cited by examiner

**1 Claim, 2 Drawing Sheets**



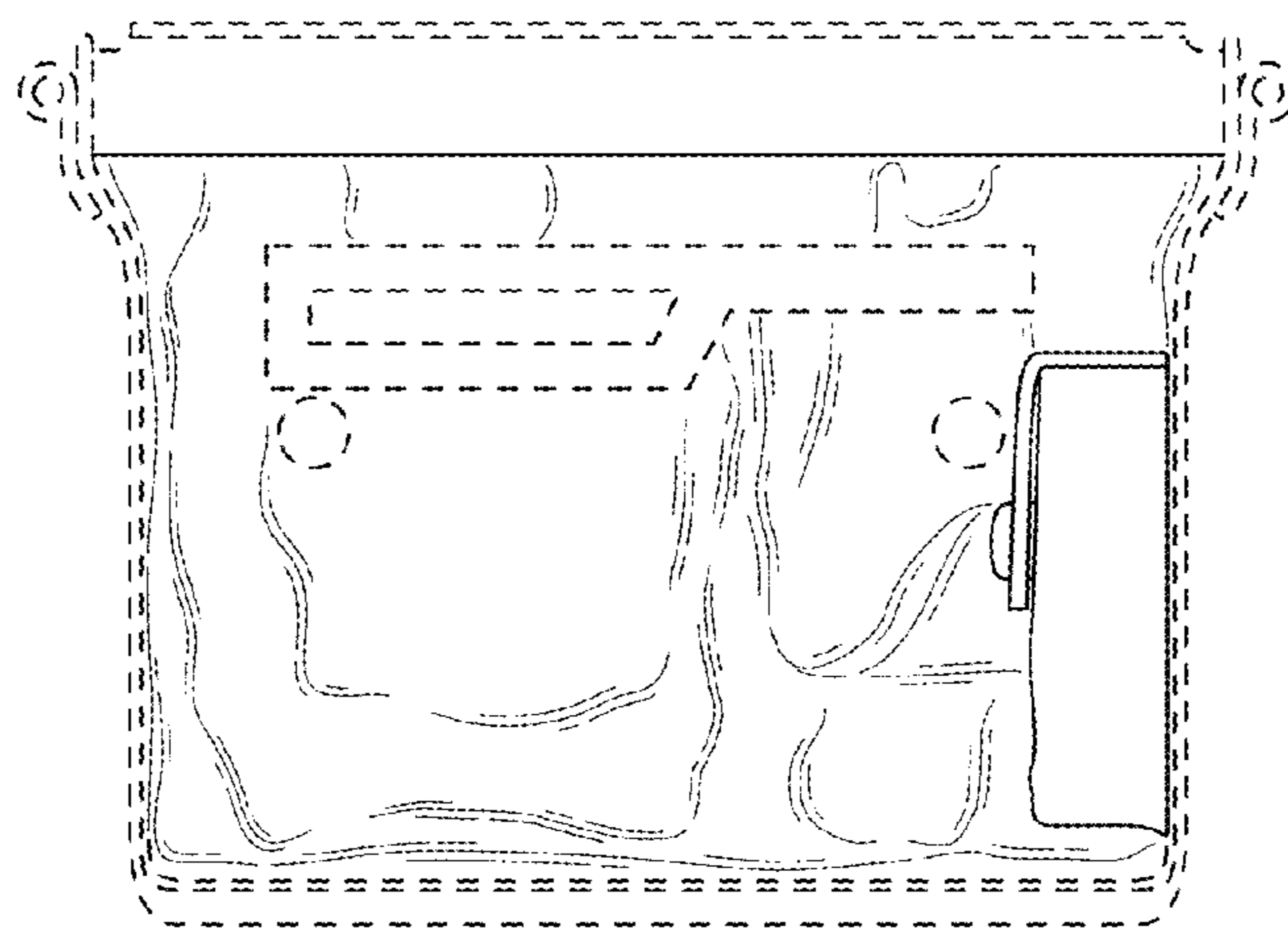
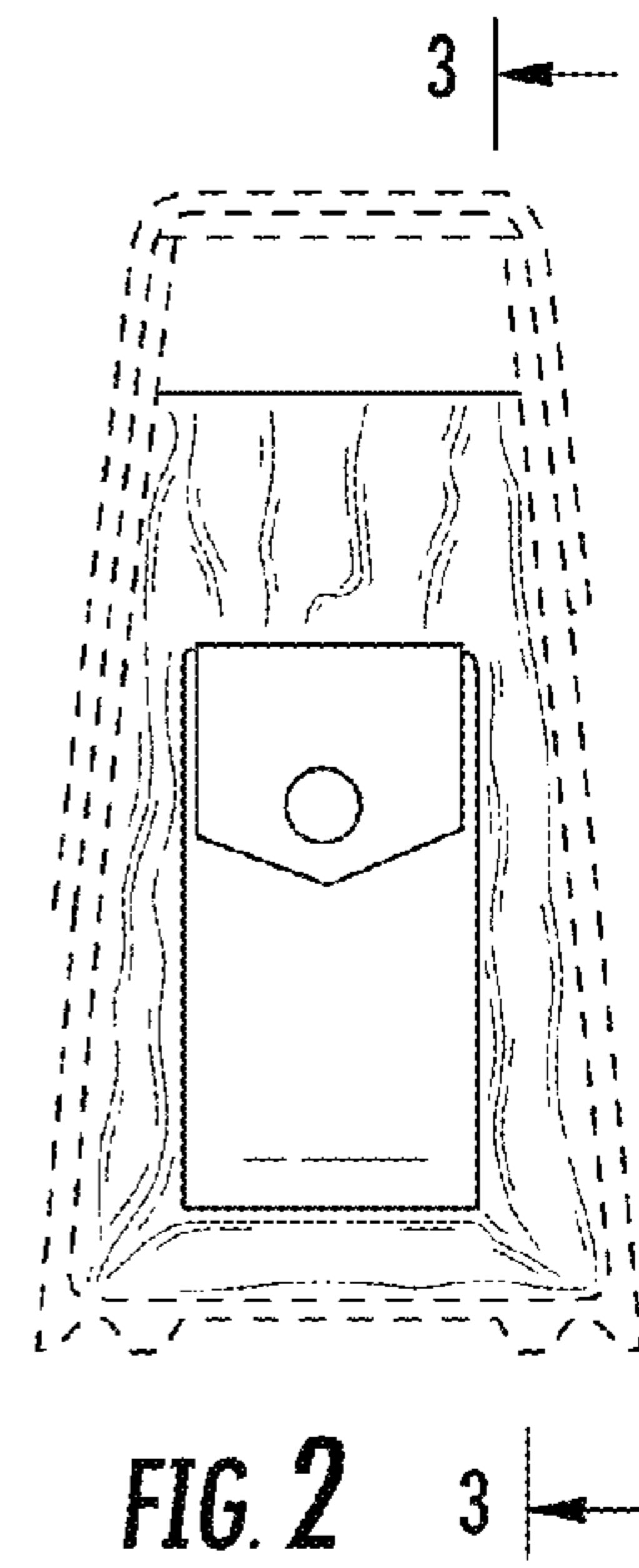
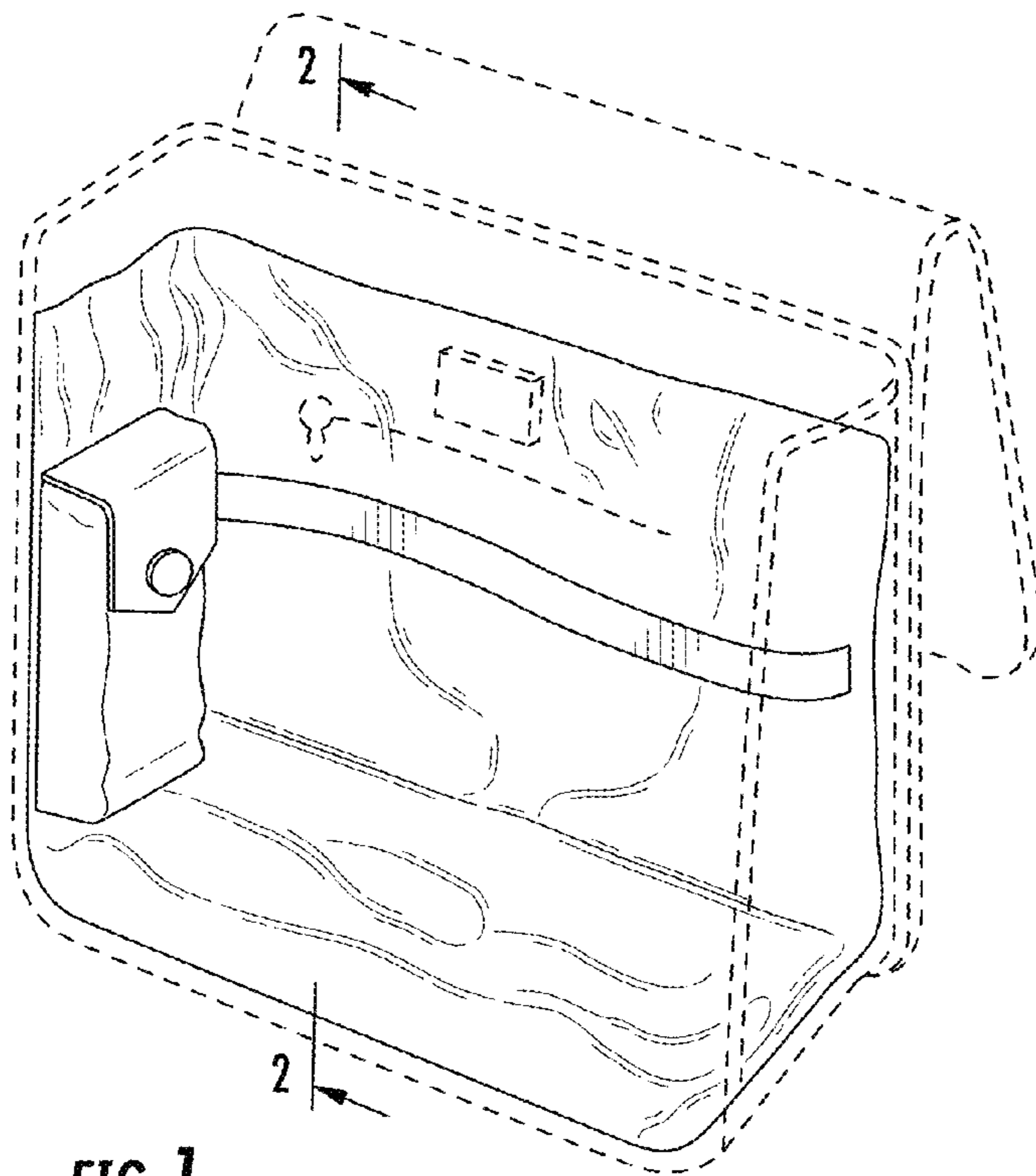


FIG. 3



FIG. 5

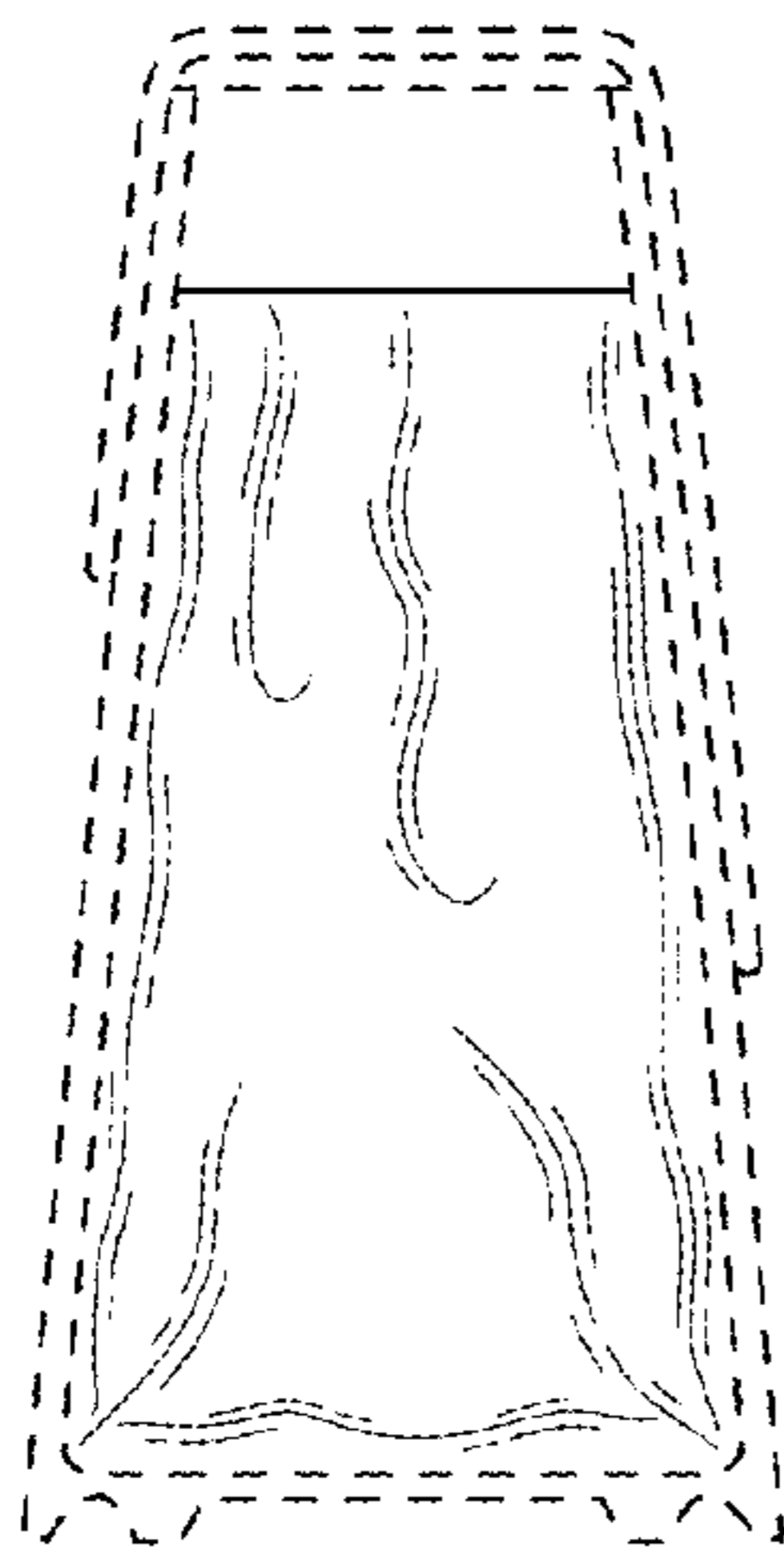


FIG. 4

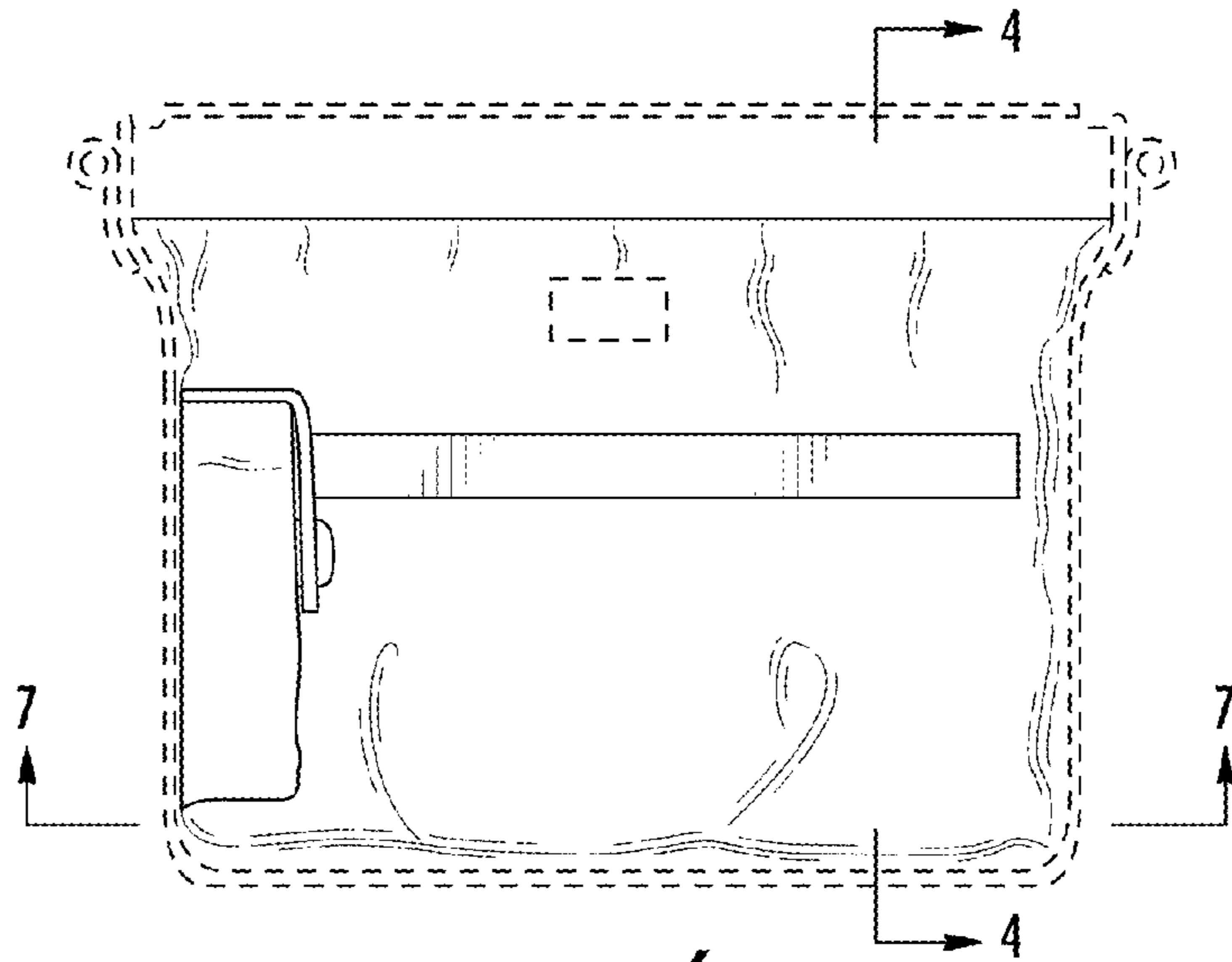


FIG. 6

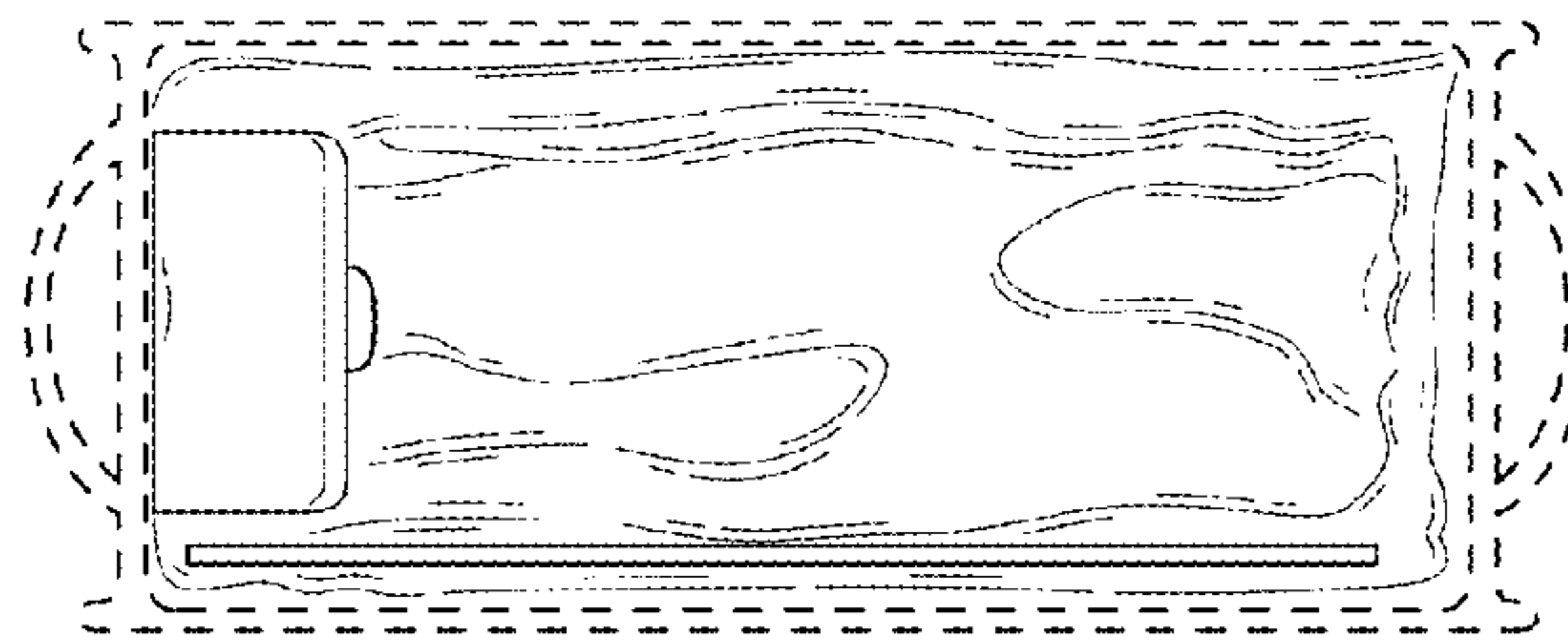


FIG. 7