



US00D720134S

(12) **United States Design Patent**
Baruch

(10) **Patent No.:** **US D720,134 S**
(45) **Date of Patent:** **** Dec. 30, 2014**

(54) **CABINET**

(56) **References Cited**

(71) Applicant: **The Stanley Works Israel Ltd.**, Rosh Ha' Ayin (IL)

(72) Inventor: **Danny Baruch**, Lapid (IL)

(73) Assignee: **Black & Decker Inc.**, Newark, DE (US)

(**) Term: **14 Years**

(21) Appl. No.: **29/441,862**

(22) Filed: **Jan. 10, 2013**

(30) **Foreign Application Priority Data**

Jul. 11, 2012 (EM) 001334445

(51) **LOC (10) Cl.** **03-01**

(52) **U.S. Cl.**
USPC **D3/297**

(58) **Field of Classification Search**

CPC A47B 87/02; A47B 87/00; A47B 67/04;
A47B 87/008; A47B 87/0276
USPC 206/223, 307, 349, 372, 373, 376, 377,
206/378, 379; 312/107, 211, 290, 308, 351,
312/902; D3/260, 272, 283, 284, 286, 297,
D3/321, 322, 905

See application file for complete search history.

U.S. PATENT DOCUMENTS

3,107,131	A *	10/1963	Lightburn	312/107
D204,506	S *	4/1966	Mellion	D3/297
D205,522	S *	8/1966	Doman	D6/445
4,494,804	A *	1/1985	O'Keeffe	312/211
D277,816	S *	3/1985	Kleinert et al.	D6/446
D318,568	S *	7/1991	Håkansson	D3/283
5,069,342	A *	12/1991	Dickinson	206/372
D333,568	S *	3/1993	Dickinson	D3/286
D385,722	S *	11/1997	Yemini	D6/445
D386,626	S *	11/1997	Yemini	D6/445
6,375,289	B1 *	4/2002	Yemini	312/290
D645,249	S *	9/2011	Chang	D3/284
D666,817	S *	9/2012	Koehn	D3/284
2002/0125159	A1 *	9/2002	Hann	206/372

* cited by examiner

Primary Examiner — Cathron Brooks

Assistant Examiner — Ethiene Salgado-Rodriguez

(74) *Attorney, Agent, or Firm* — Adan Ayala

(57) **CLAIM**

The ornamental design for a cabinet, as shown and described.

DESCRIPTION

FIG. 1 is a perspective view of a cabinet according to the invention.

FIG. 2 is a front elevational view of the cabinet.

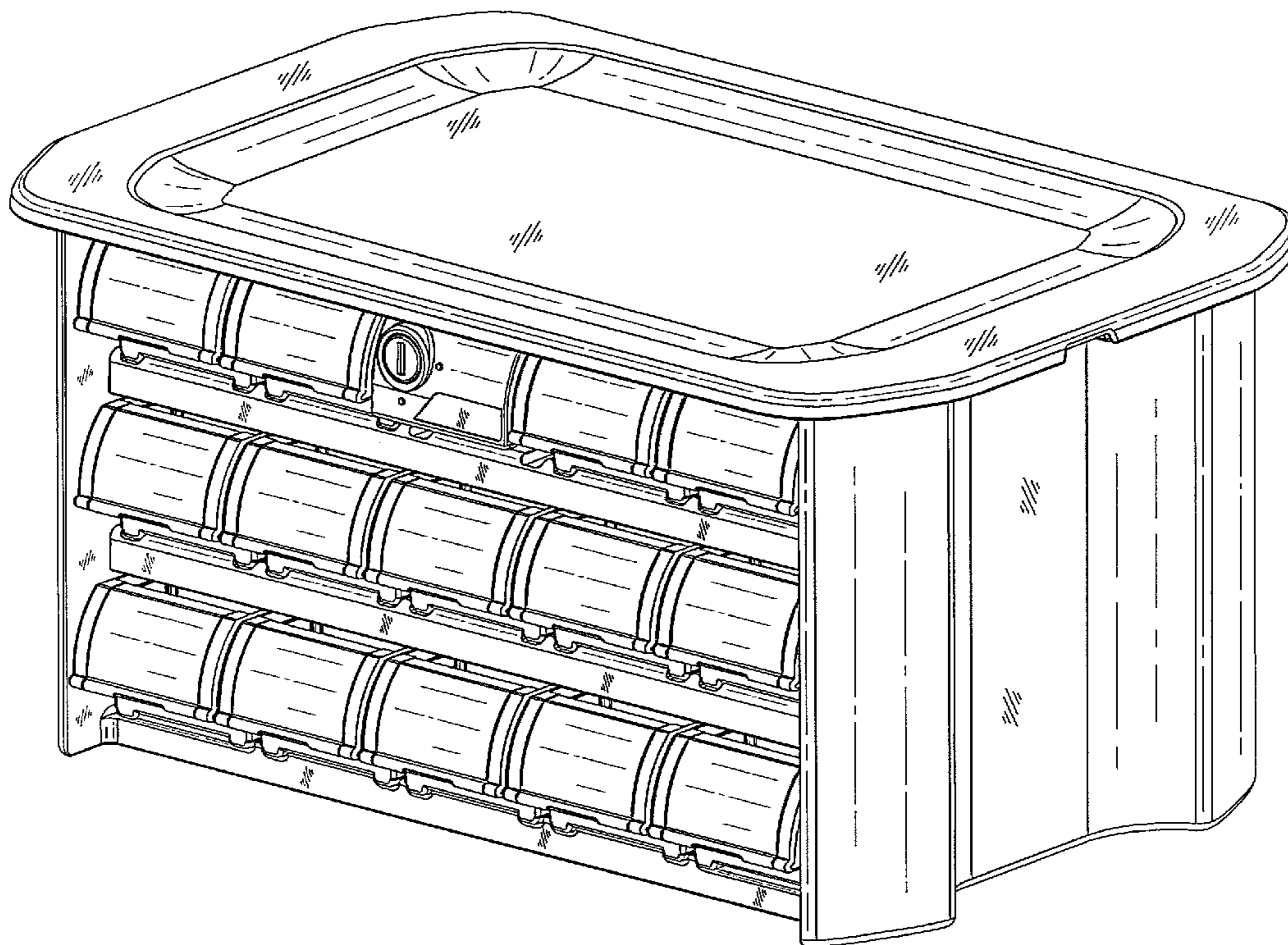
FIG. 3 is a rear elevational view of the cabinet.

FIG. 4 is a right side view of the cabinet.

FIG. 5 is a left side view of the cabinet; and,

FIG. 6 is a top plan view of the cabinet.

1 Claim, 6 Drawing Sheets



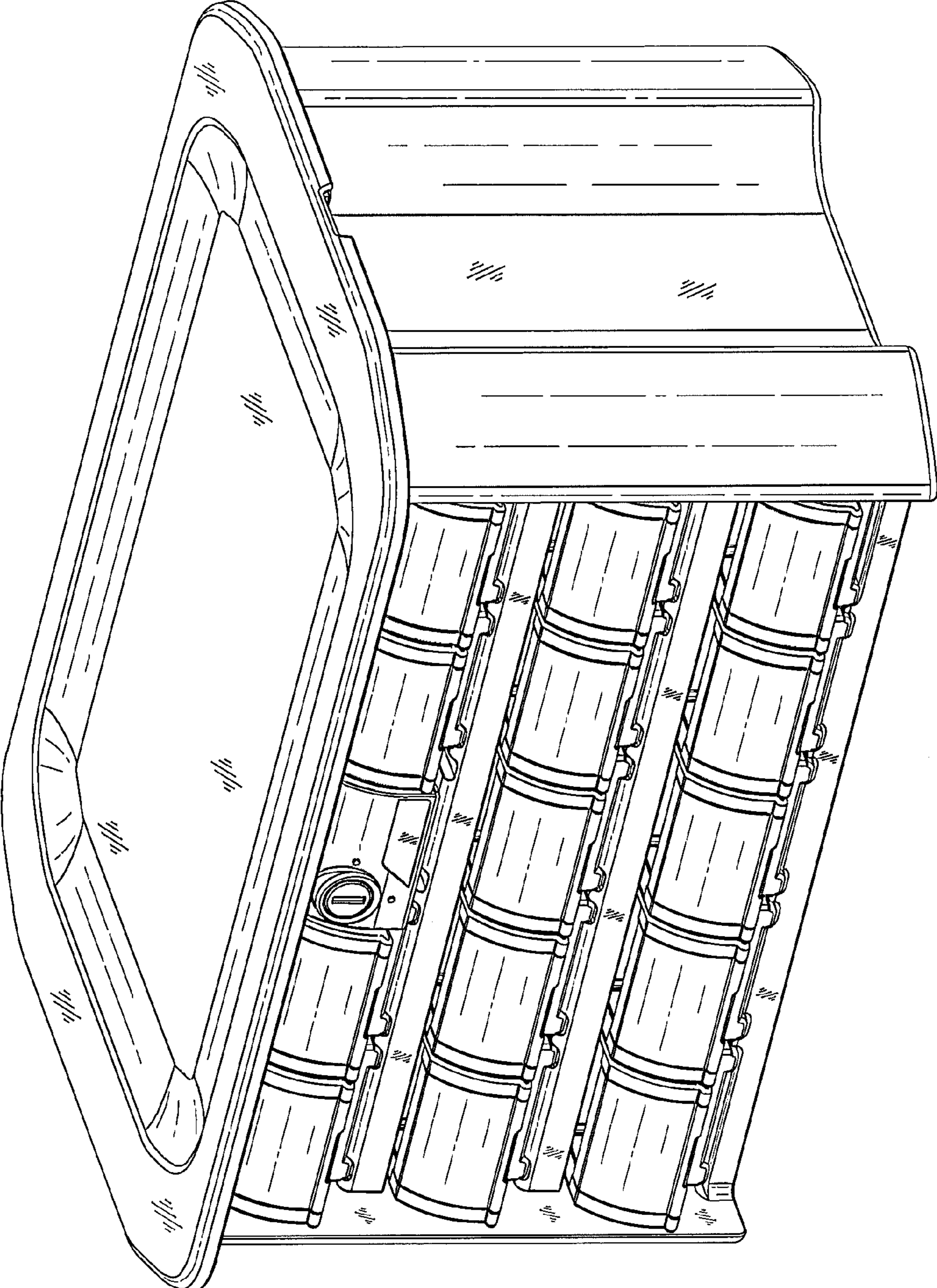


FIG.1

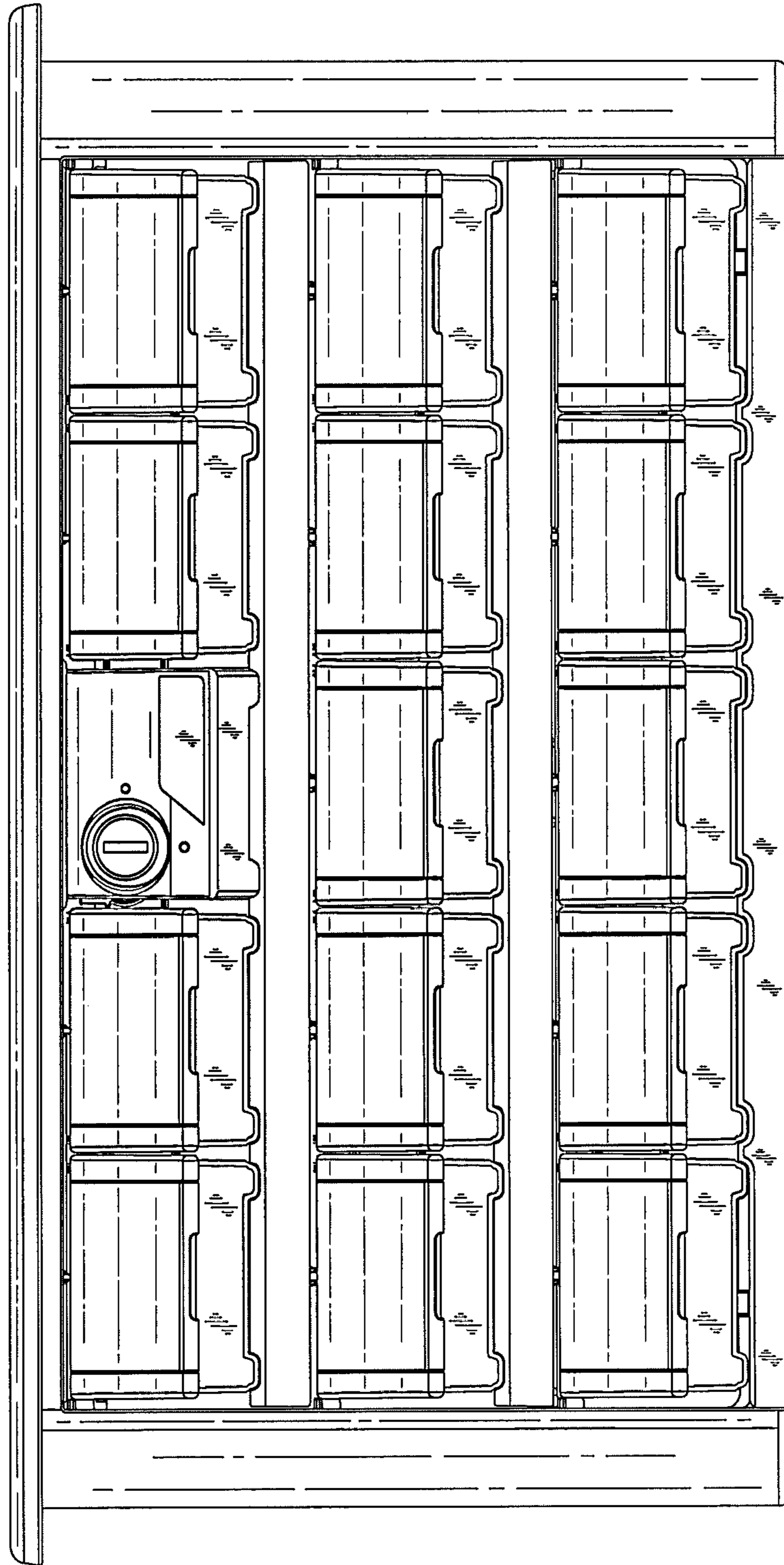


FIG.2

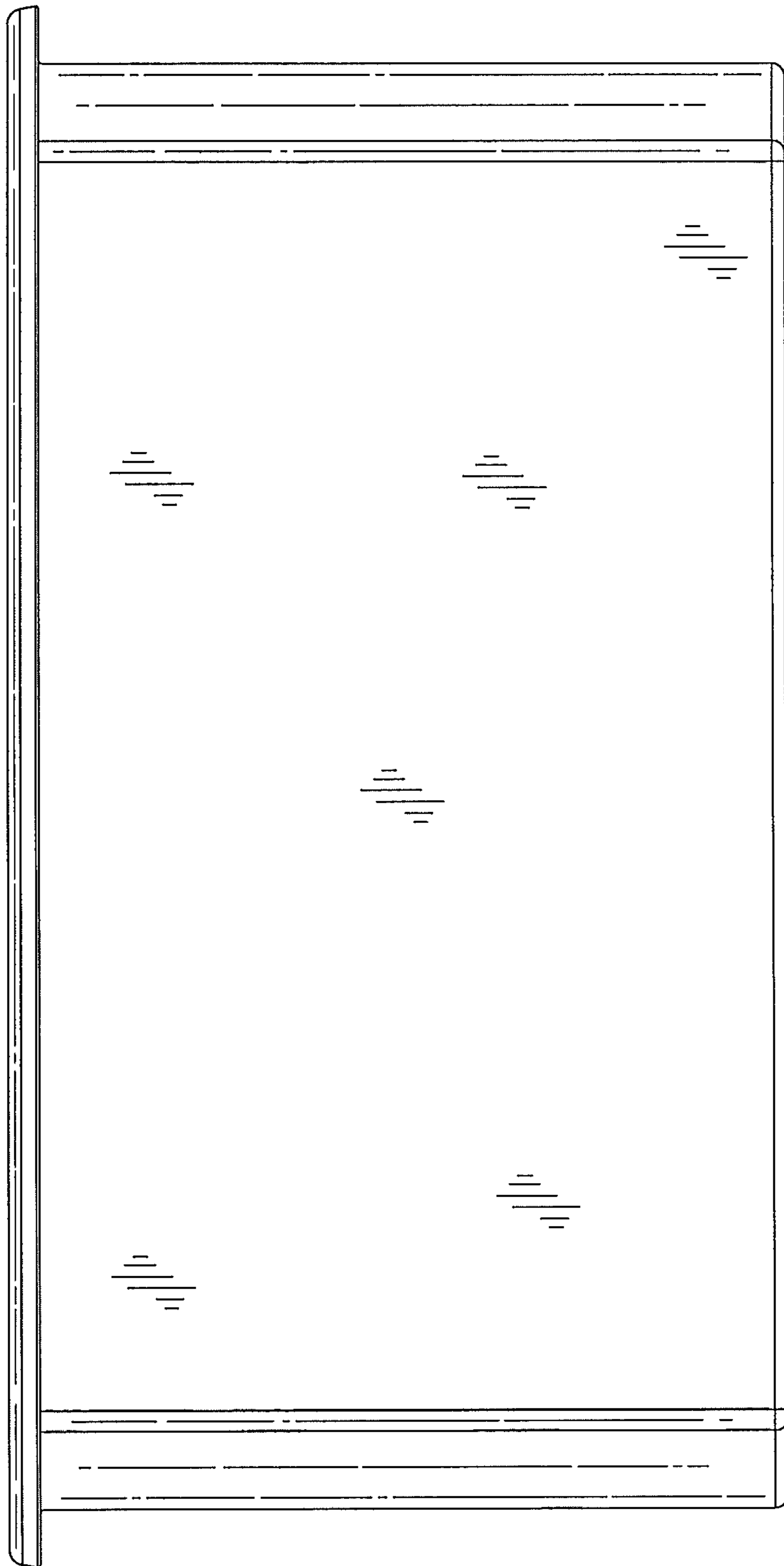


FIG.3

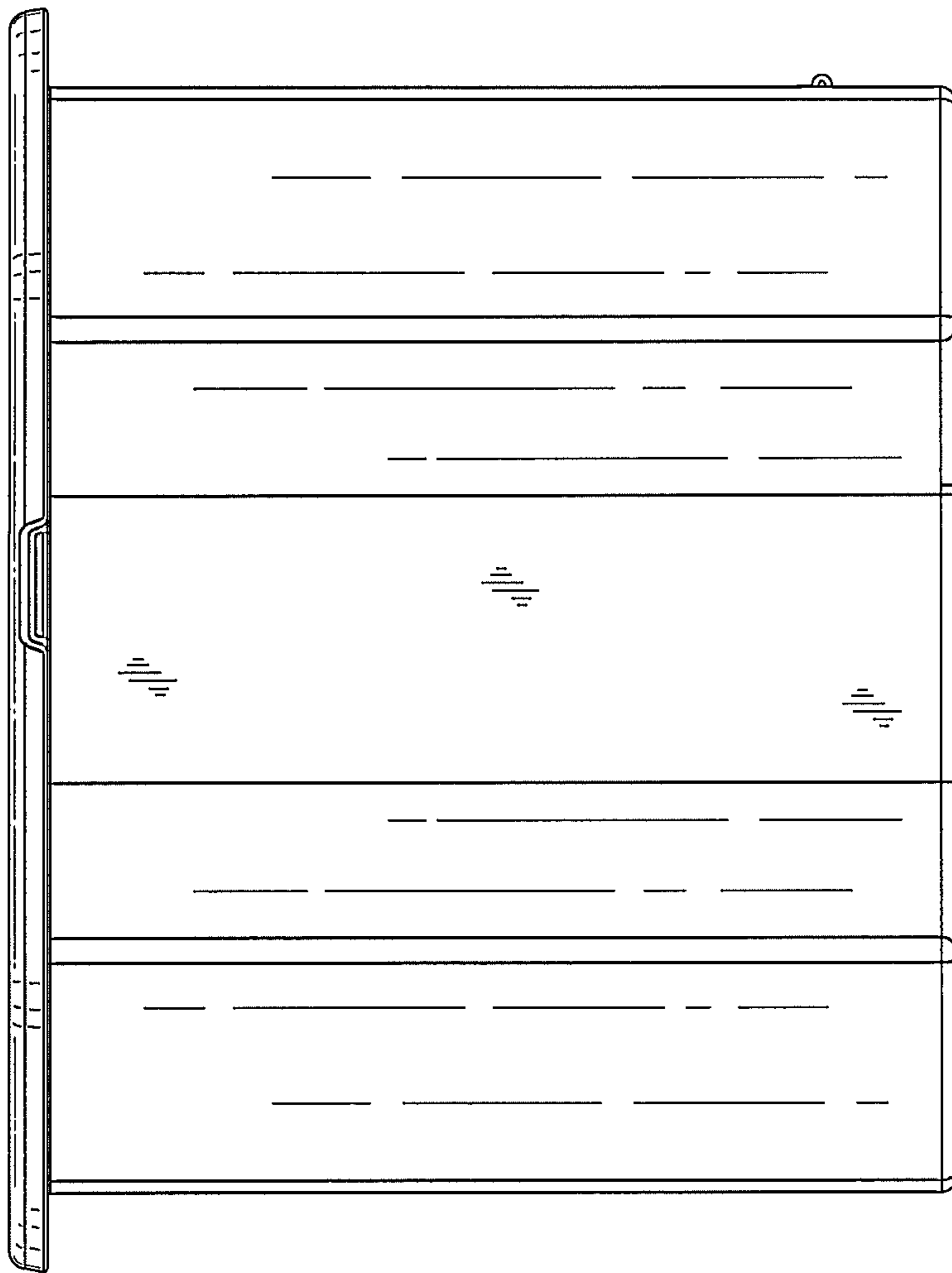


FIG.4

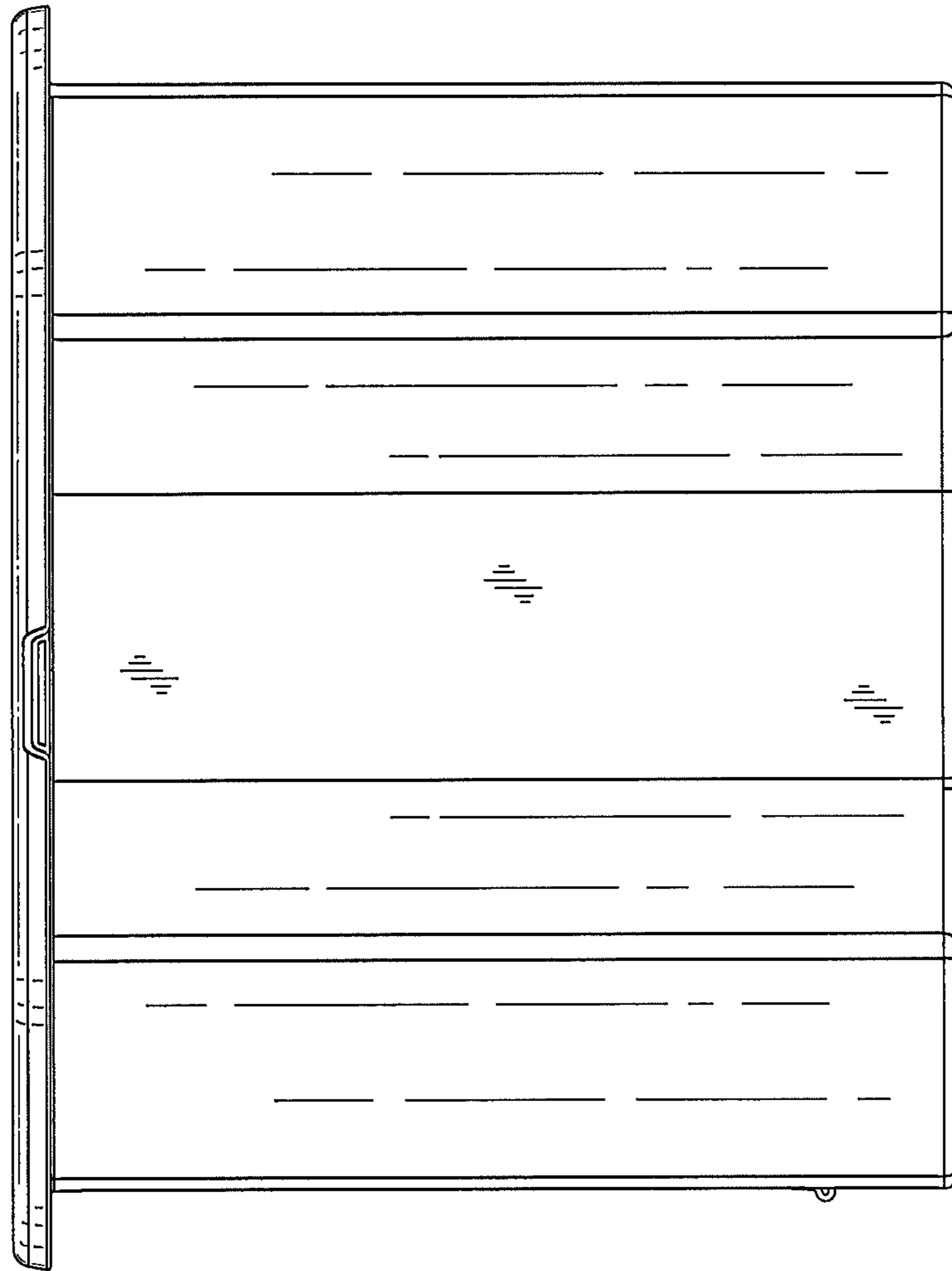


FIG.5

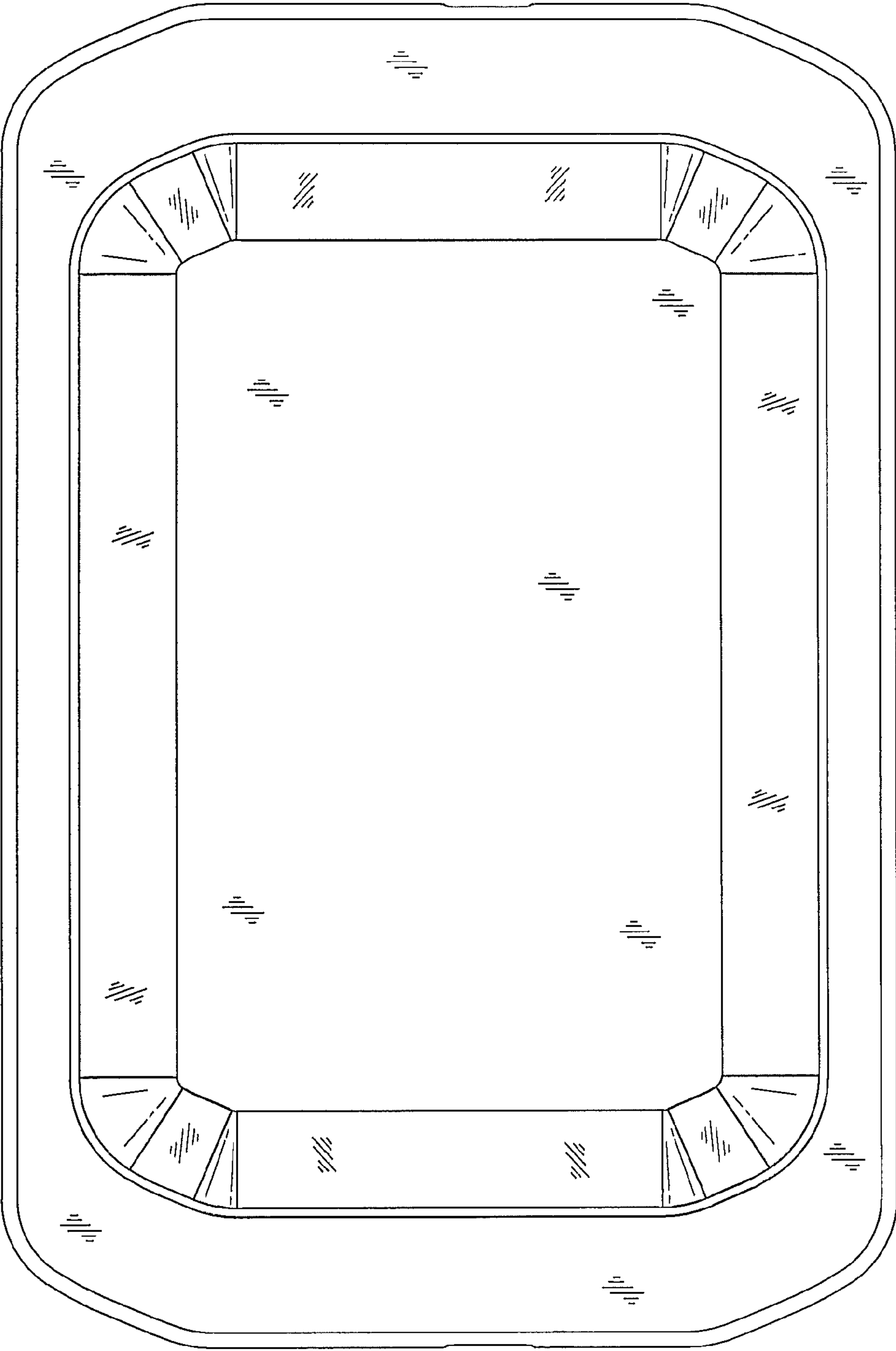


FIG.6