



US00D720131S

(12) **United States Design Patent**  
**Siegel et al.**

(10) **Patent No.:** **US D720,131 S**

(45) **Date of Patent:** **\*\* Dec. 30, 2014**

(54) **MULTI-CONFIGURATION TOTE BAG**

*Primary Examiner* — Holly Baynham

(74) *Attorney, Agent, or Firm* — QuickPatents; Kevin Prince

(71) Applicants: **Rick Siegel**, Los Angeles, CA (US);  
**Jennifer Nigrosh**, Los Angeles, CA  
(US)

(57) **CLAIM**

(72) Inventors: **Rick Siegel**, Los Angeles, CA (US);  
**Jennifer Nigrosh**, Los Angeles, CA  
(US)

We claim the ornamental design for a multi-configuration tote bag, as shown and described.

(\*\*) Term: **14 Years**

**DESCRIPTION**

(21) Appl. No.: **29/464,076**

(22) Filed: **Aug. 12, 2013**

(51) **LOC (10) Cl.** ..... **03-01**

(52) **U.S. Cl.**  
USPC ..... **D3/233**

(58) **Field of Classification Search**  
CPC ..... A45C 1/024; A45C 3/06  
USPC ..... D3/232–233, 240–243, 245–246;  
150/100, 103–110, 113–114, 117–119  
See application file for complete search history.

FIG. 1 is a perspective view of a multi-configuration tote bag, showing our new design in a first configuration with handles in a raised position and a bag top portion in a lowered position within the tote bag;  
FIG. 2 is a perspective view thereof, illustrated in a fully collapsed configuration;  
FIG. 3 is a perspective view thereof, illustrated with the handles in a lowered position and the bag top portion in a raised position, the bag top closed with a draw string in an extended position;  
FIG. 4 is a perspective view thereof, illustrated with the bag top portion in the raised position, the bag top in an open position with the draw string in a refracted position;  
FIG. 5 is a front elevational view of FIG. 4;  
FIG. 6 is a rear elevational view of FIG. 4;  
FIG. 7 is a left-side elevational view of FIG. 4;  
FIG. 8 is a right-side elevational view of FIG. 4;  
FIG. 9 is a top plan view of FIG. 4; and,  
FIG. 10 is a bottom plan view of FIG. 4.  
The broken lines showing a person's hand in FIG. 3 depict environmental matter and form no part of the claimed design. The remaining broken lines represent stitching, and are part of the claimed design.

(56) **References Cited**

**U.S. PATENT DOCUMENTS**

D596,396 S *	7/2009	McCoy et al.	.....	D3/232
D630,013 S *	1/2011	Yu	.....	D3/232
D630,844 S *	1/2011	Wang et al.	.....	D3/232
D630,845 S *	1/2011	Guichot	.....	D3/232
D632,074 S *	2/2011	Chan et al.	.....	D3/232
D641,157 S *	7/2011	Steele	.....	D3/232
D641,549 S *	7/2011	Caldwell	.....	D3/232
D670,906 S *	11/2012	Du	.....	D3/243
D688,449 S *	8/2013	Schinasi	.....	D3/232

\* cited by examiner

**1 Claim, 5 Drawing Sheets**





FIG. 1

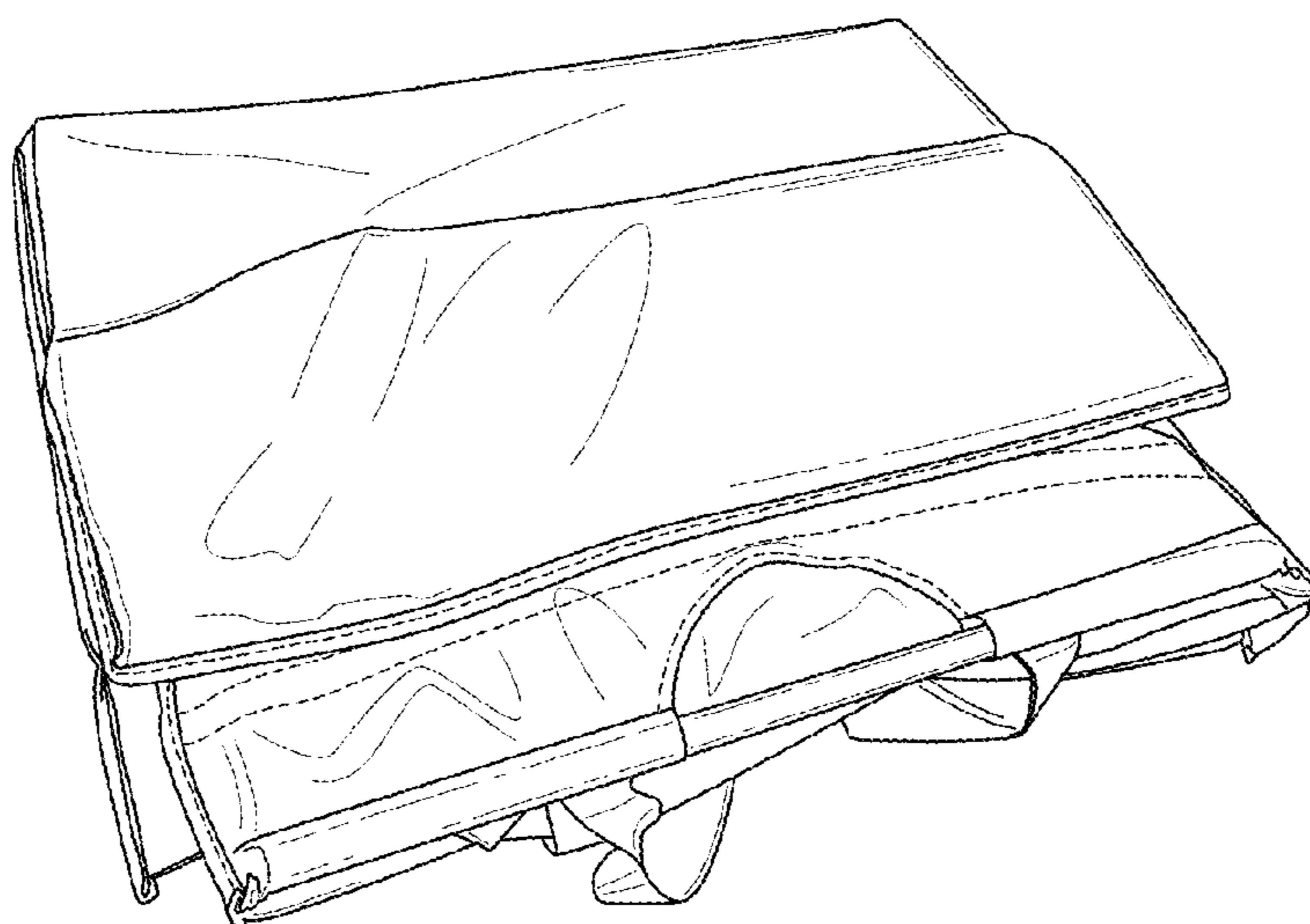


FIG. 2

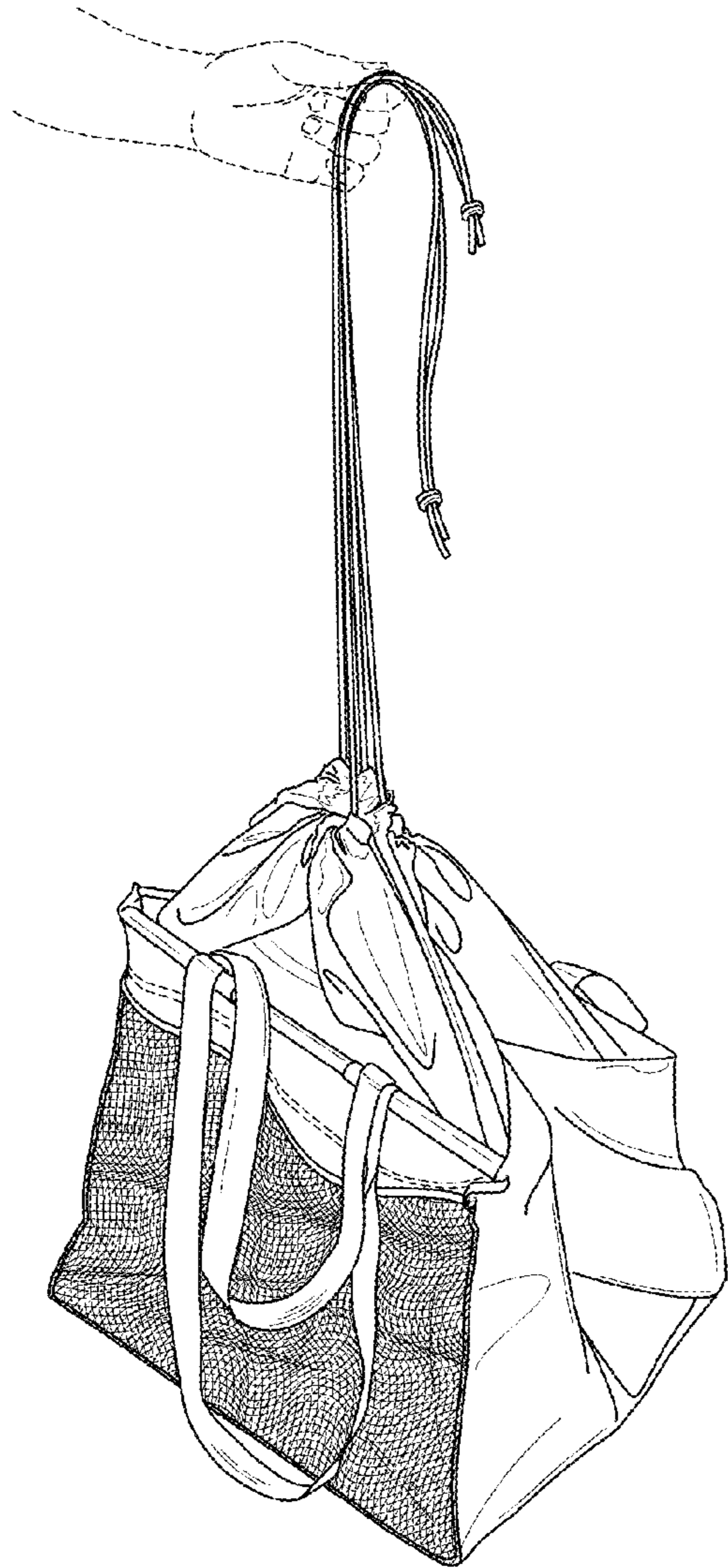


FIG. 3

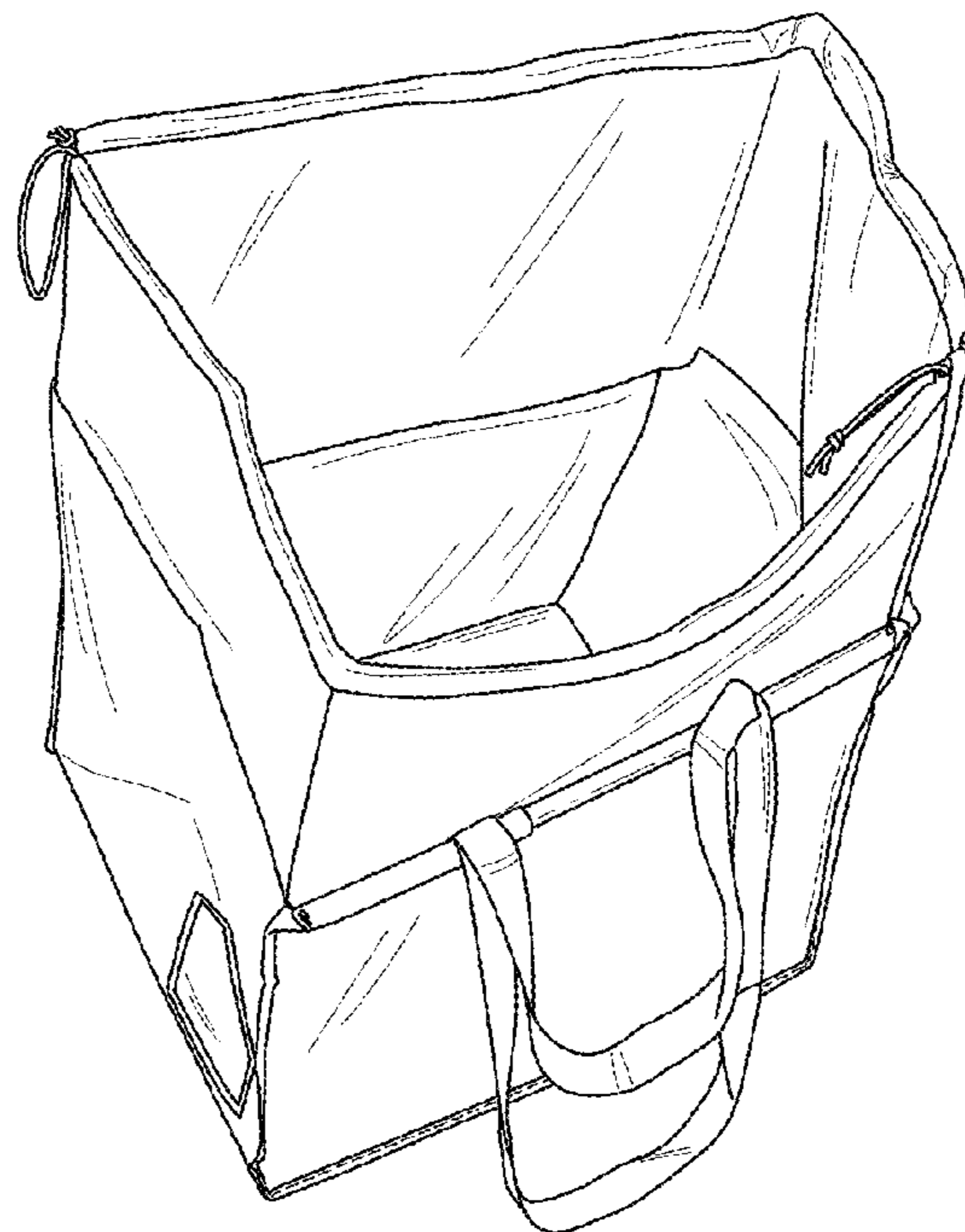


FIG. 4

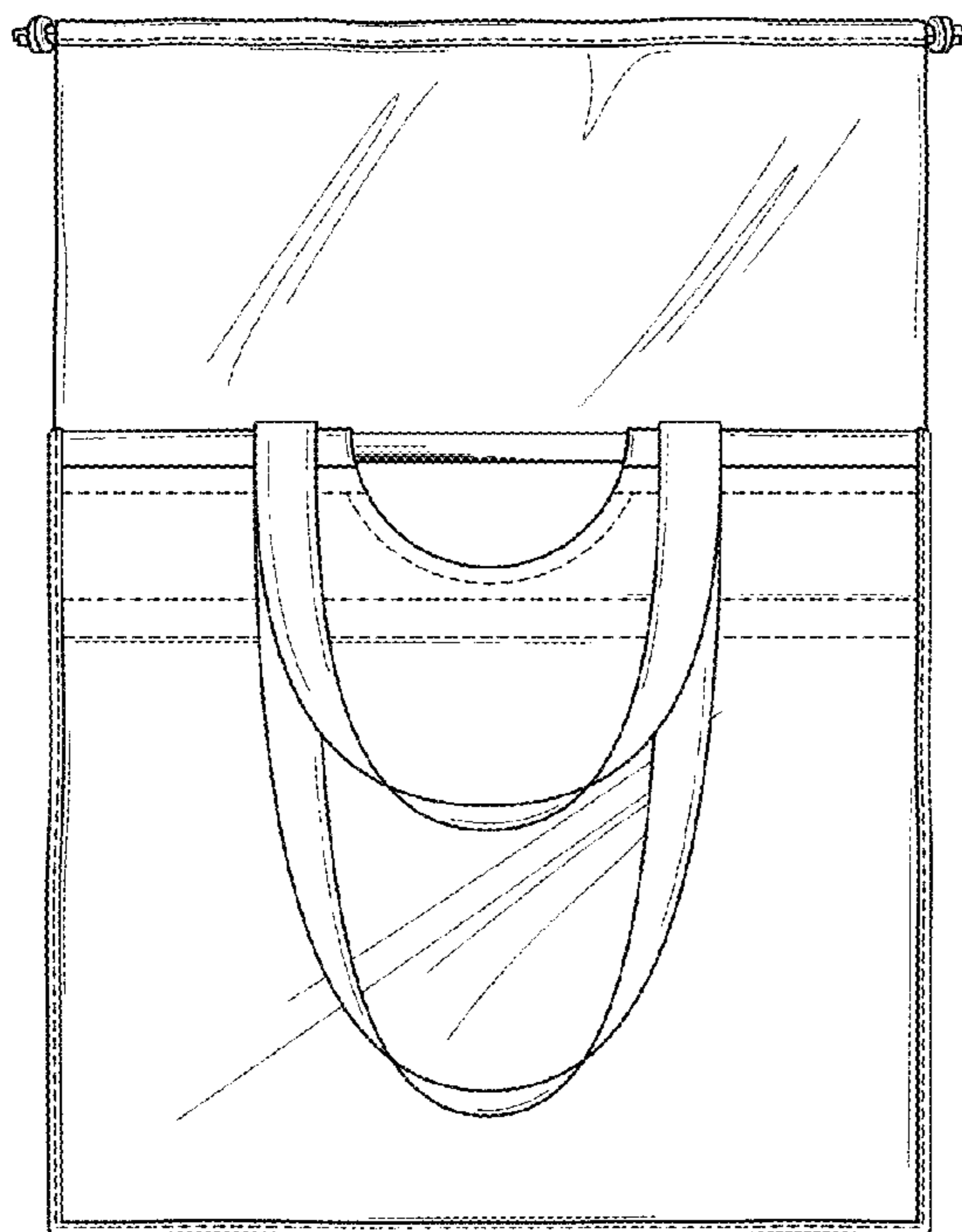


FIG. 5

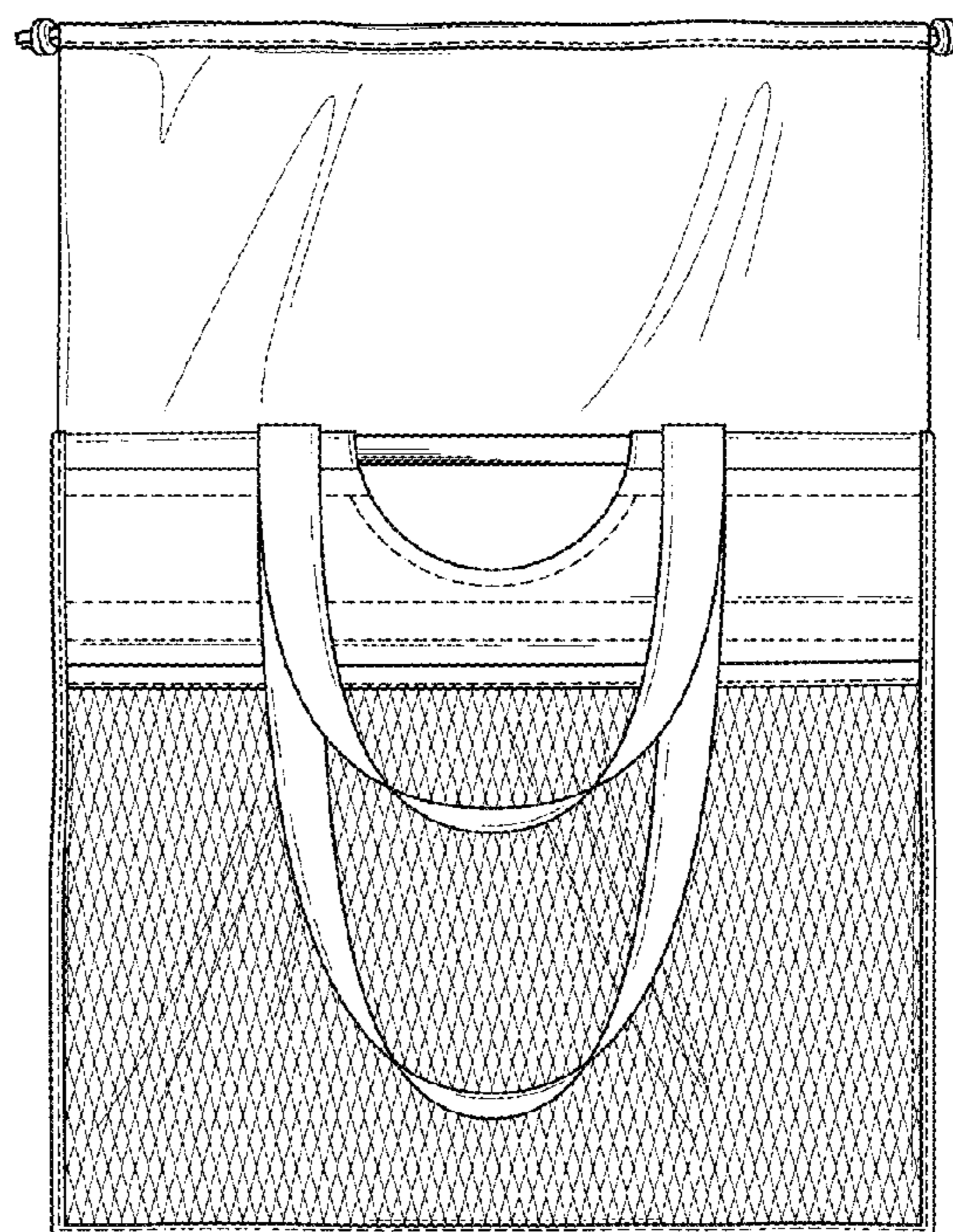


FIG. 6

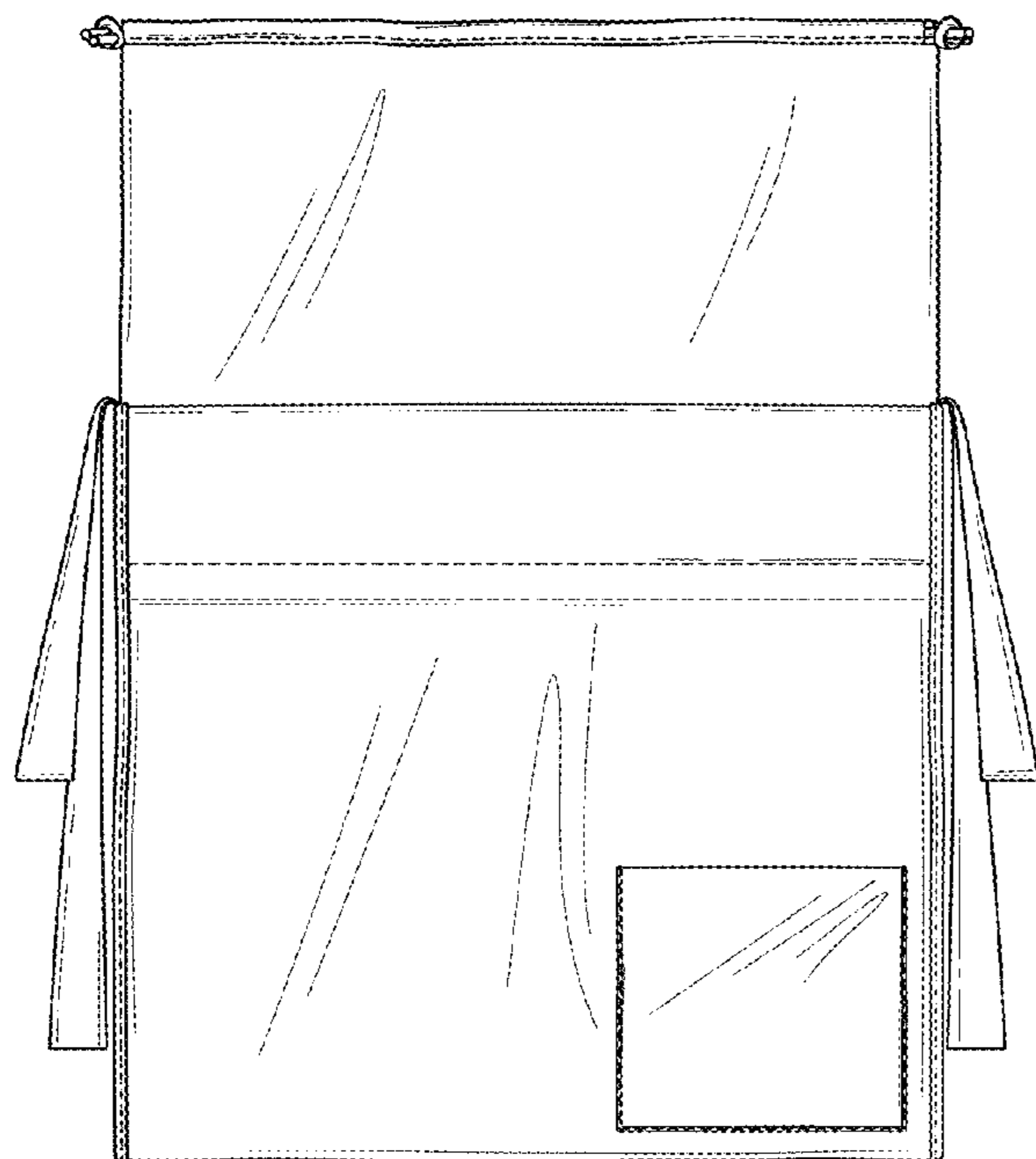


FIG. 7

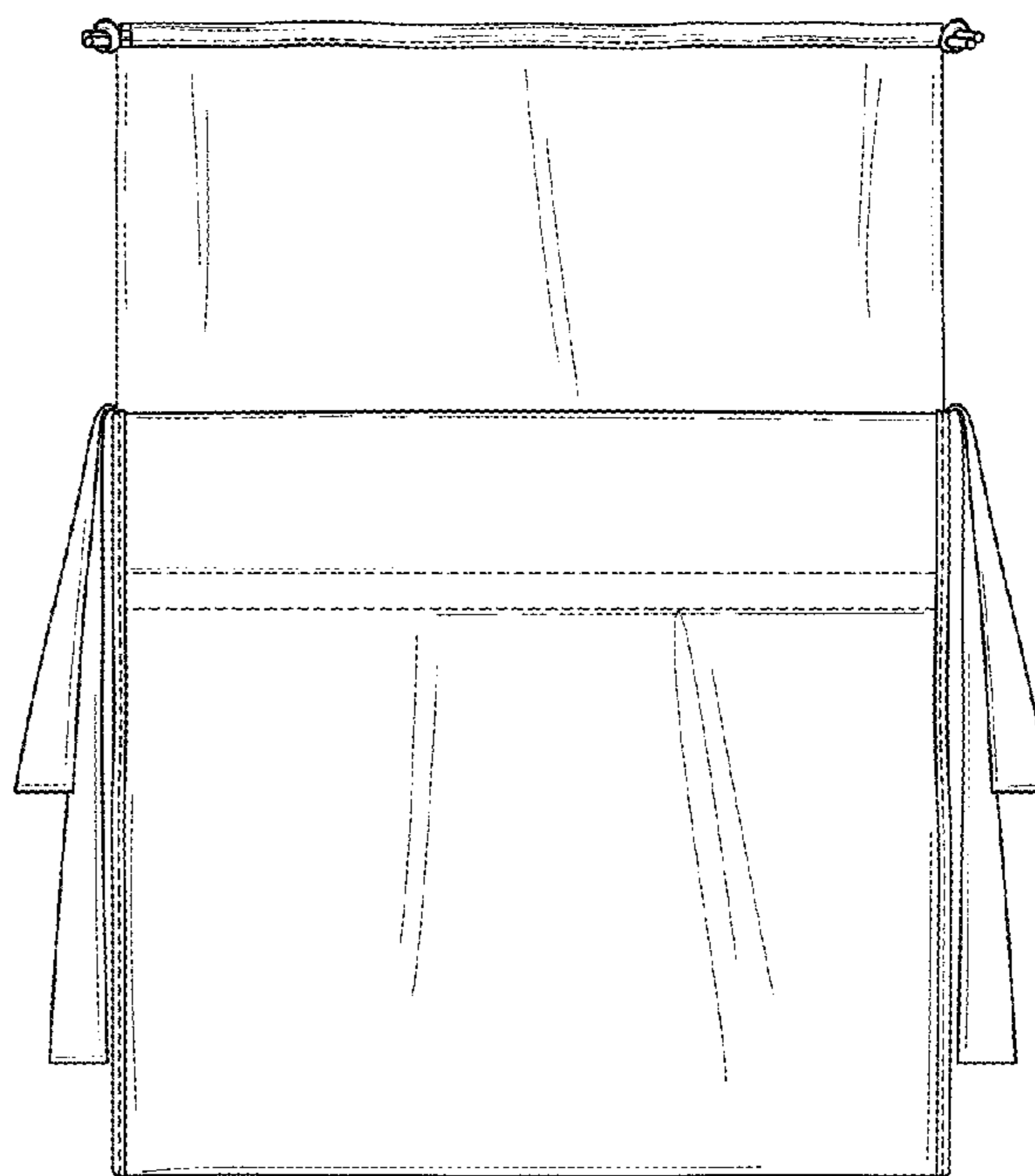


FIG. 8

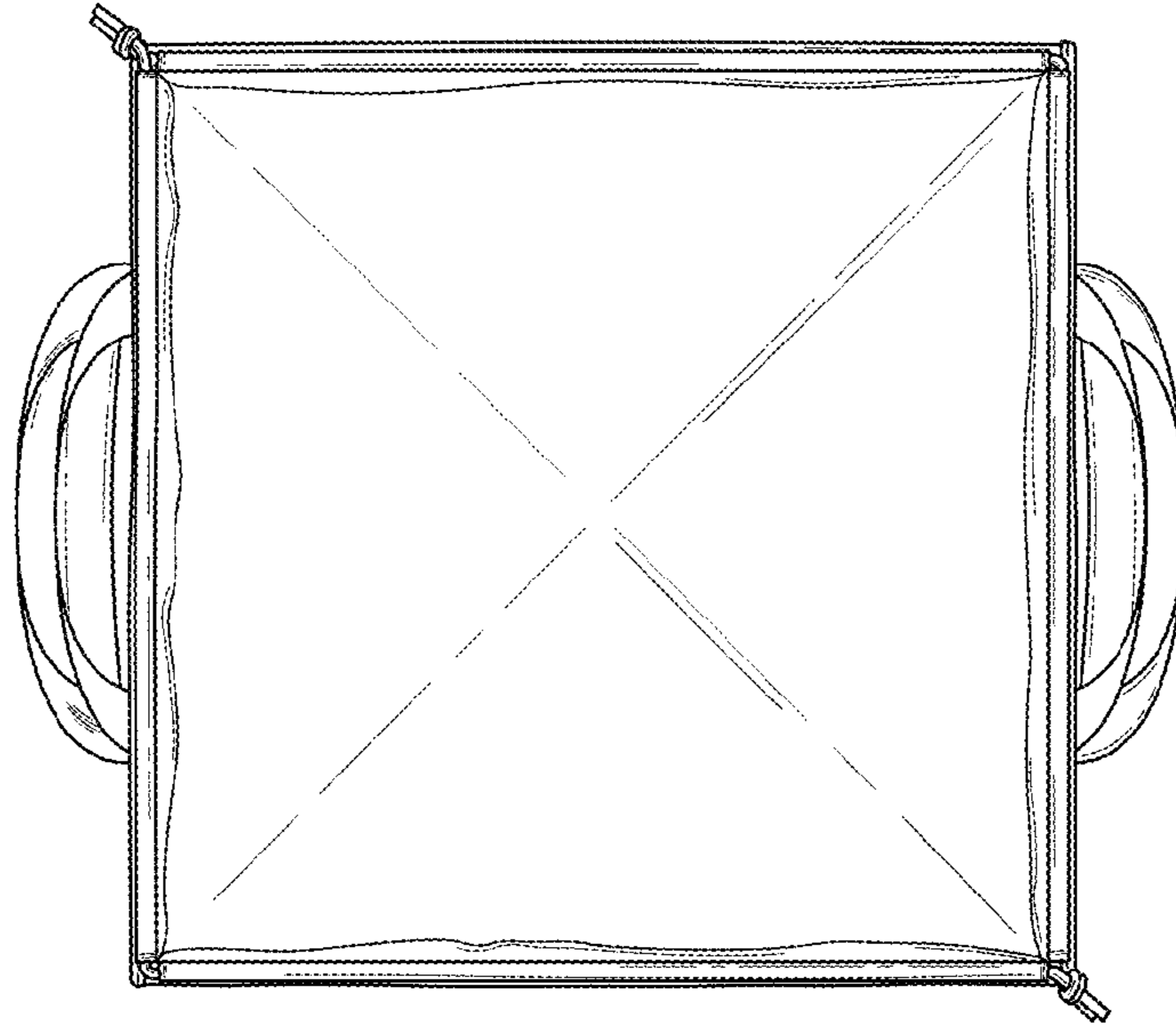


FIG. 9

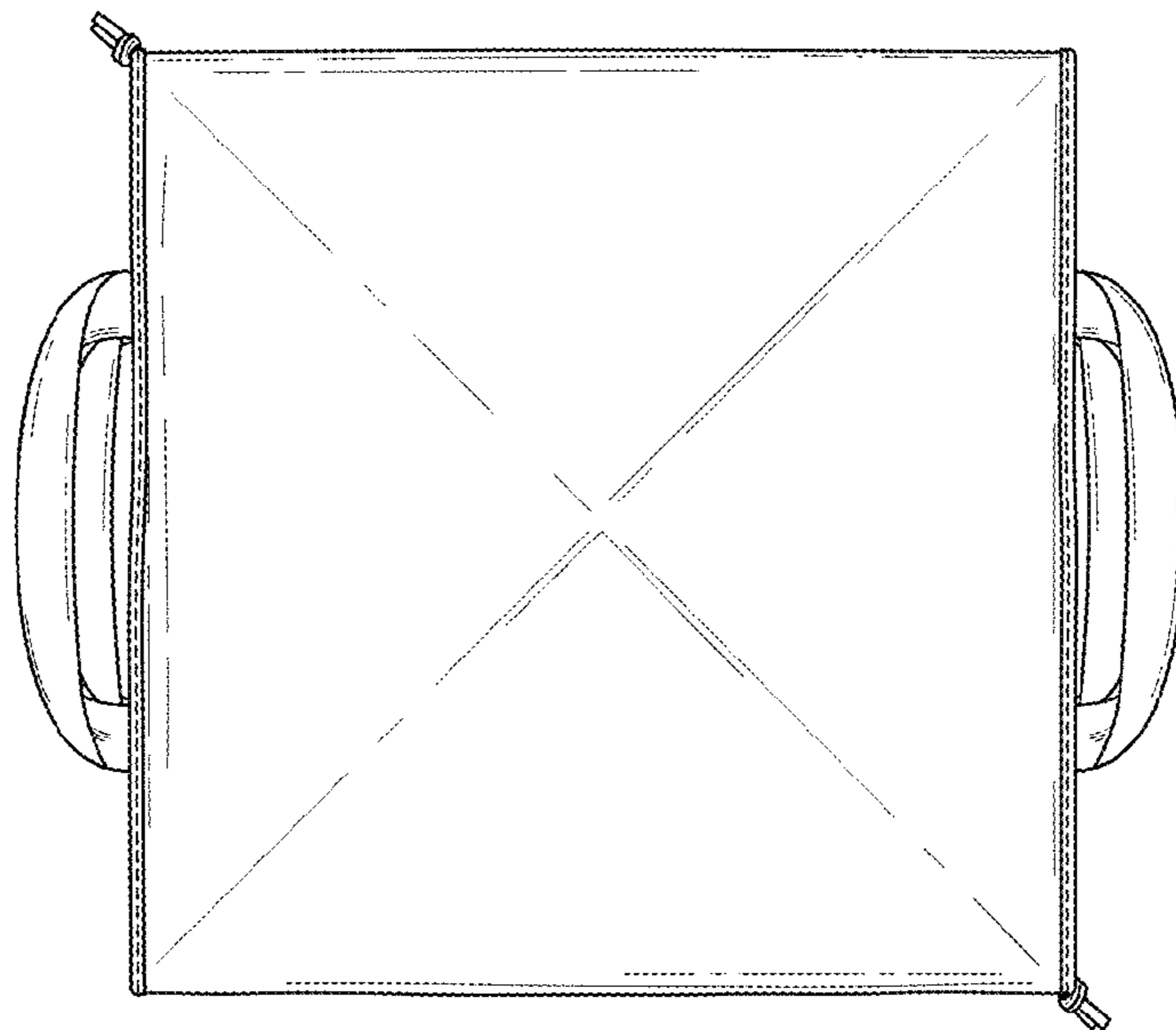


FIG. 10