



US00D720129S

(12) **United States Design Patent**
Gunter et al.

(10) **Patent No.:** **US D720,129 S**
(45) **Date of Patent:** **** Dec. 30, 2014**

- (54) **INSERT FOR A CHILD CARRIER**
- (71) Applicant: **Britax Child Safety, Inc.**, Charlotte, NC (US)
- (72) Inventors: **Mark Gunter**, York, SC (US); **Jeanna Rimmer**, Gastonia, NC (US); **Delsie Herrera**, Charlotte, NC (US); **William Flood**, Fort Mill, SC (US)
- (73) Assignee: **Britax Child Safety Inc.**, Fort Mill, SC (US)
- (**) Term: **14 Years**
- (21) Appl. No.: **29/496,486**
- (22) Filed: **Jul. 14, 2014**

6,837,406	B2 *	1/2005	Sclafani	224/159
6,866,174	B2 *	3/2005	Hiscocks	224/160
D510,658	S *	10/2005	Coates	D3/213
D518,942	S *	4/2006	Dandrea	D2/719
D701,692	S *	4/2014	Heller	D3/216
2012/0152988	A1 *	6/2012	Green, III	224/159
2014/0062151	A1 *	3/2014	Banghart et al.	297/253

* cited by examiner

Primary Examiner — Kelley Donnelly

(74) *Attorney, Agent, or Firm* — Nelson Mullins Riley & Scarborough LLP

(57) **CLAIM**

The ornamental design for an insert for a child carrier, as shown and described.

DESCRIPTION

FIG. 1 is a perspective view of an insert for a child carrier according to our new design;
 FIG. 2 is a front elevation view thereof;
 FIG. 3 is a back elevation view thereof;
 FIG. 4 is a right side view thereof, the left side view being a mirror image thereof;
 FIG. 5 is a top plan view thereof;
 FIG. 6 is a bottom plan view thereof;
 FIG. 7 is a perspective view of an insert for a child carrier according to our new design shown attached to a child carrier worn about the torso of a wearer;
 FIG. 8 is a front elevation view thereof;
 FIG. 9 is a back elevation view thereof;
 FIG. 10 is a right side view thereof, the left side view being a mirror image thereof;
 FIG. 11 is a top plan view thereof; and,
 FIG. 12 is a bottom plan view thereof.

The broken lines immediately adjacent the shaded areas represent the bounds of the claimed design while all other broken lines are for illustrative purposes only; the broken lines form no part of the claimed design.

Related U.S. Application Data

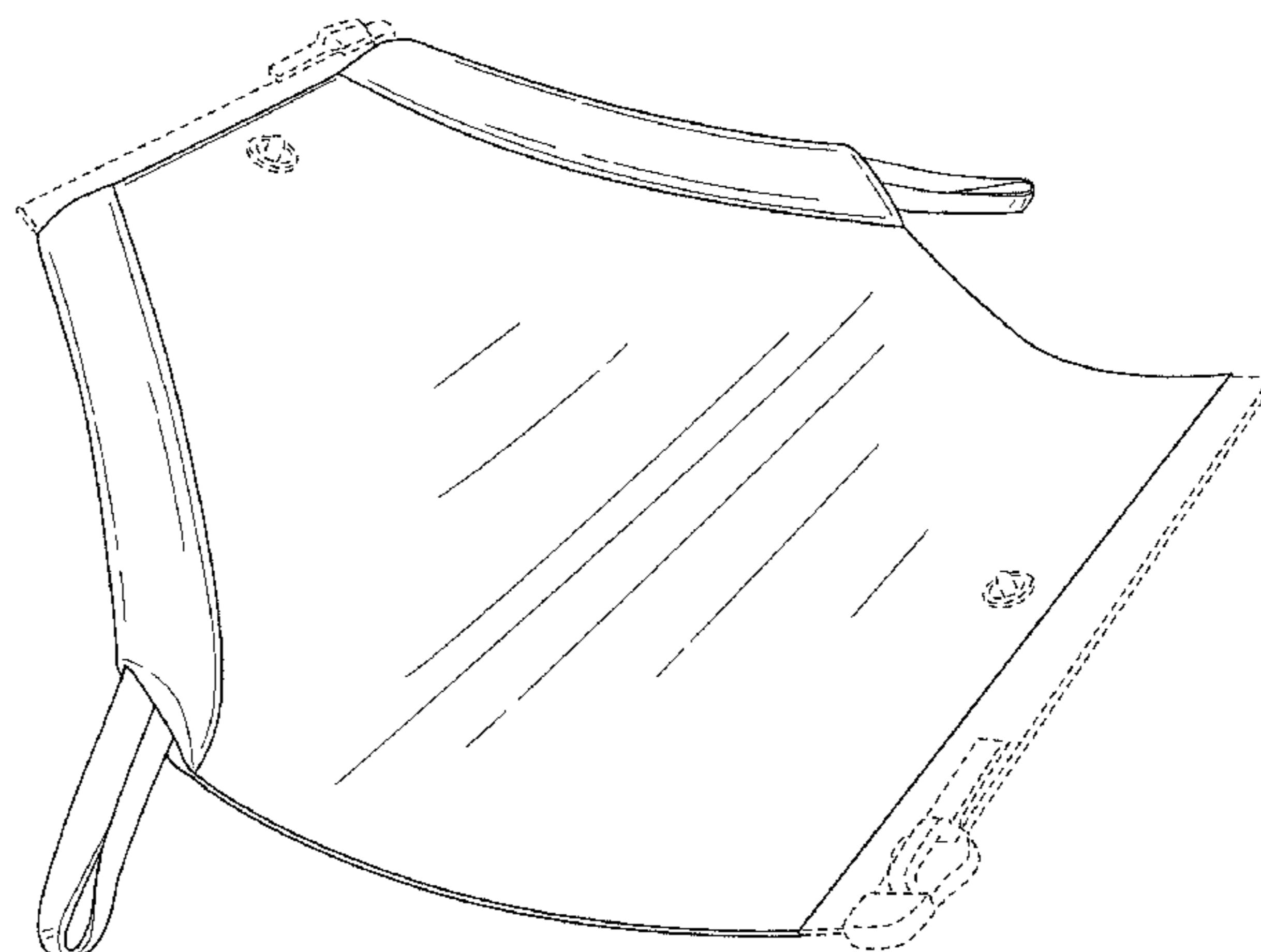
- (60) Division of application No. 29/398,163, filed on Jul. 27, 2011, now Pat. No. Des. 712,134, which is a continuation-in-part of application No. 13/035,616, filed on Feb. 25, 2011, now Pat. No. 8,636,181.
- (51) **LOC (10) Cl.** **03-99**
- (52) **U.S. Cl.**
USPC **D3/214**
- (58) **Field of Classification Search**
USPC D3/213–216; D2/719, 828–831;
2/309–311, 102; 224/158–159, 160
See application file for complete search history.

References Cited

U.S. PATENT DOCUMENTS

D281,833	S *	12/1985	Carney	D3/214
5,205,450	A *	4/1993	Derosier	224/161
D382,395	S *	8/1997	Korshamn	D3/213
5,848,741	A *	12/1998	Fair	224/160
6,409,060	B2 *	6/2002	Donine	224/160
6,415,969	B1 *	7/2002	Higuchi	224/160
D484,685	S *	1/2004	Kassai et al.	D3/213

1 Claim, 9 Drawing Sheets



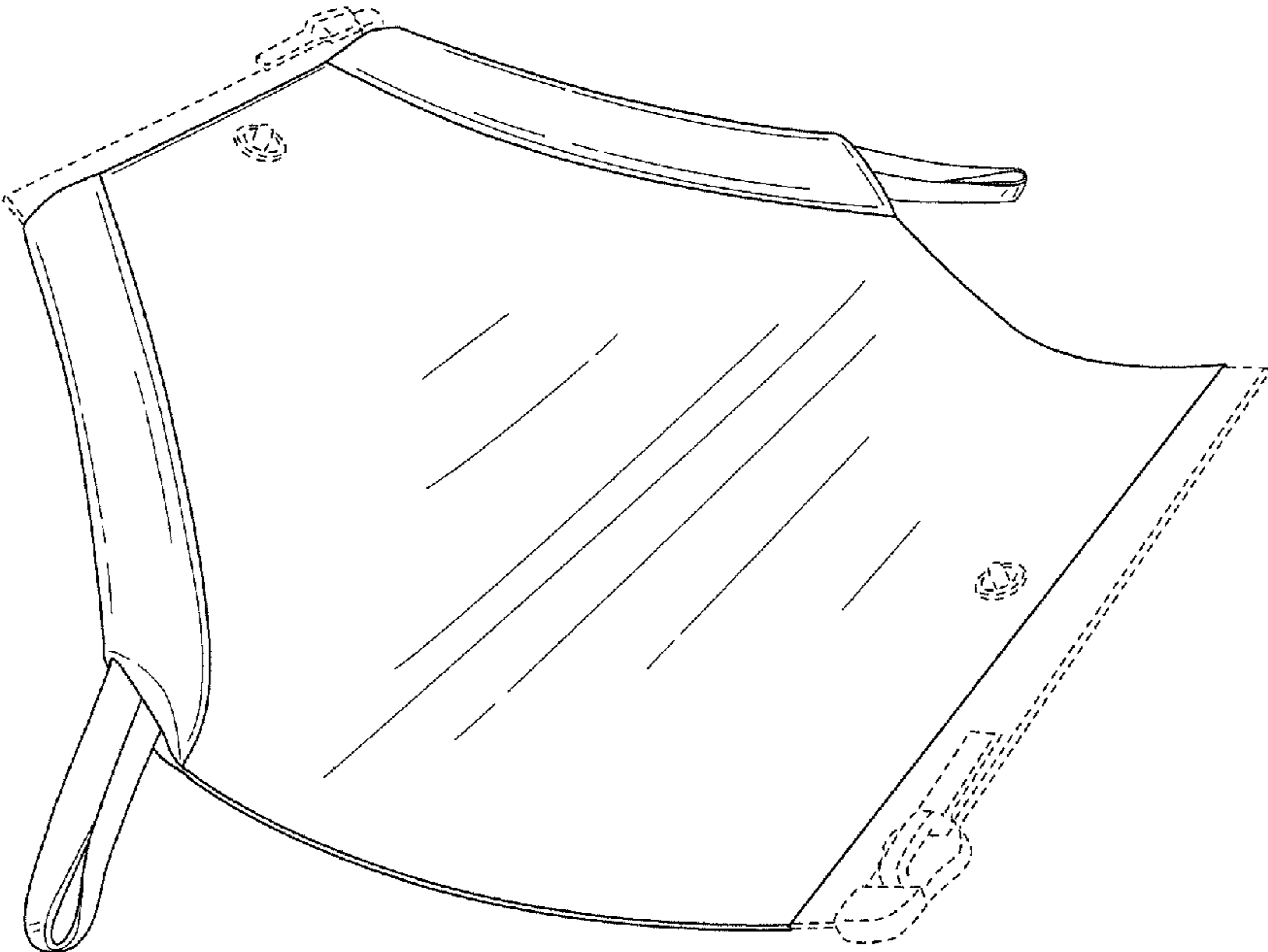


FIG. 1

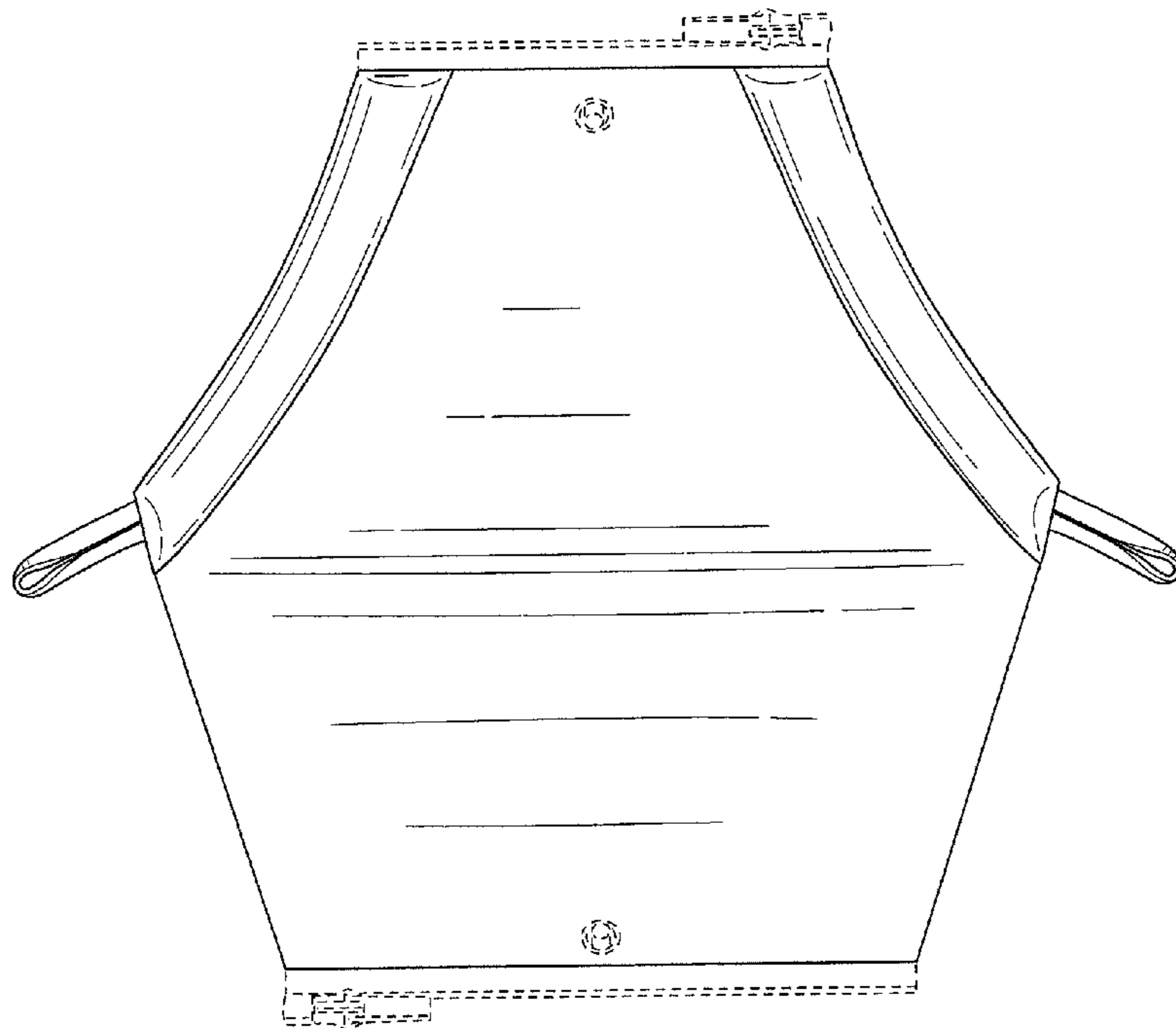


FIG. 2

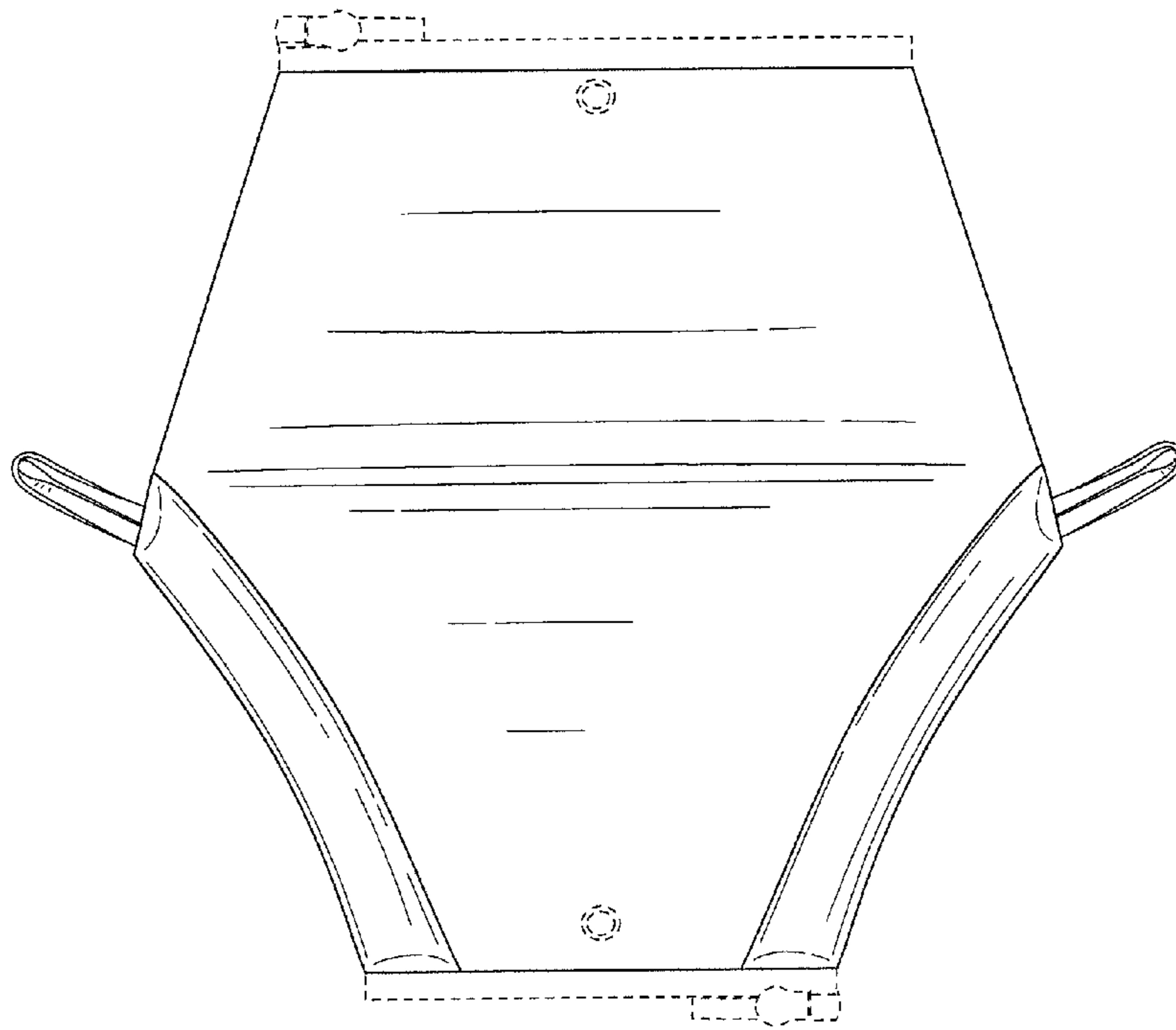


FIG. 3

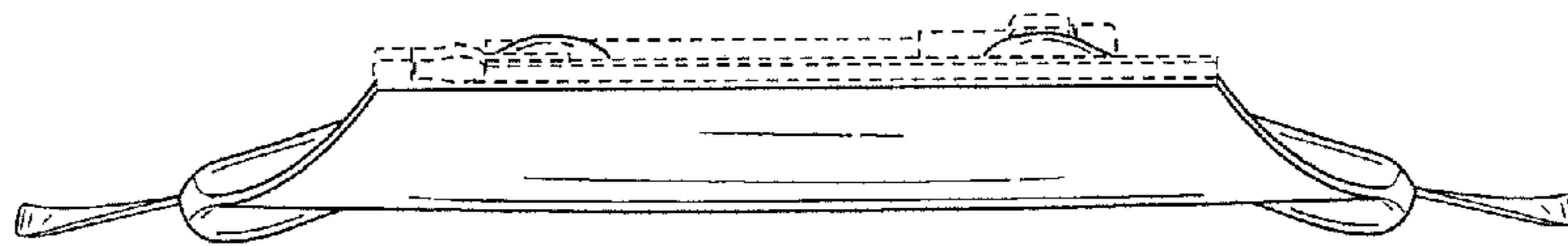


FIG. 4

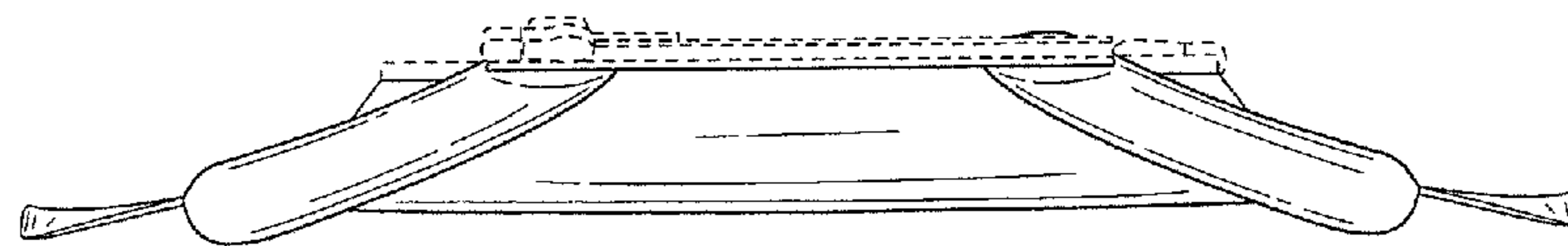


FIG. 5

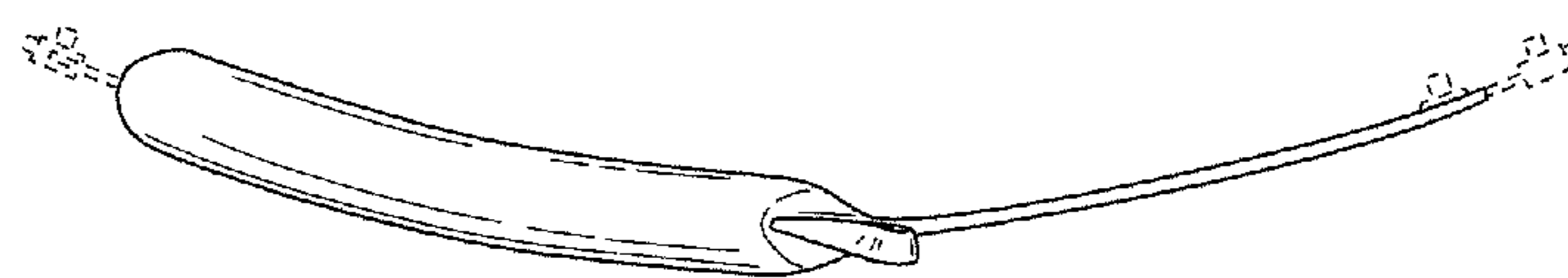


FIG. 6

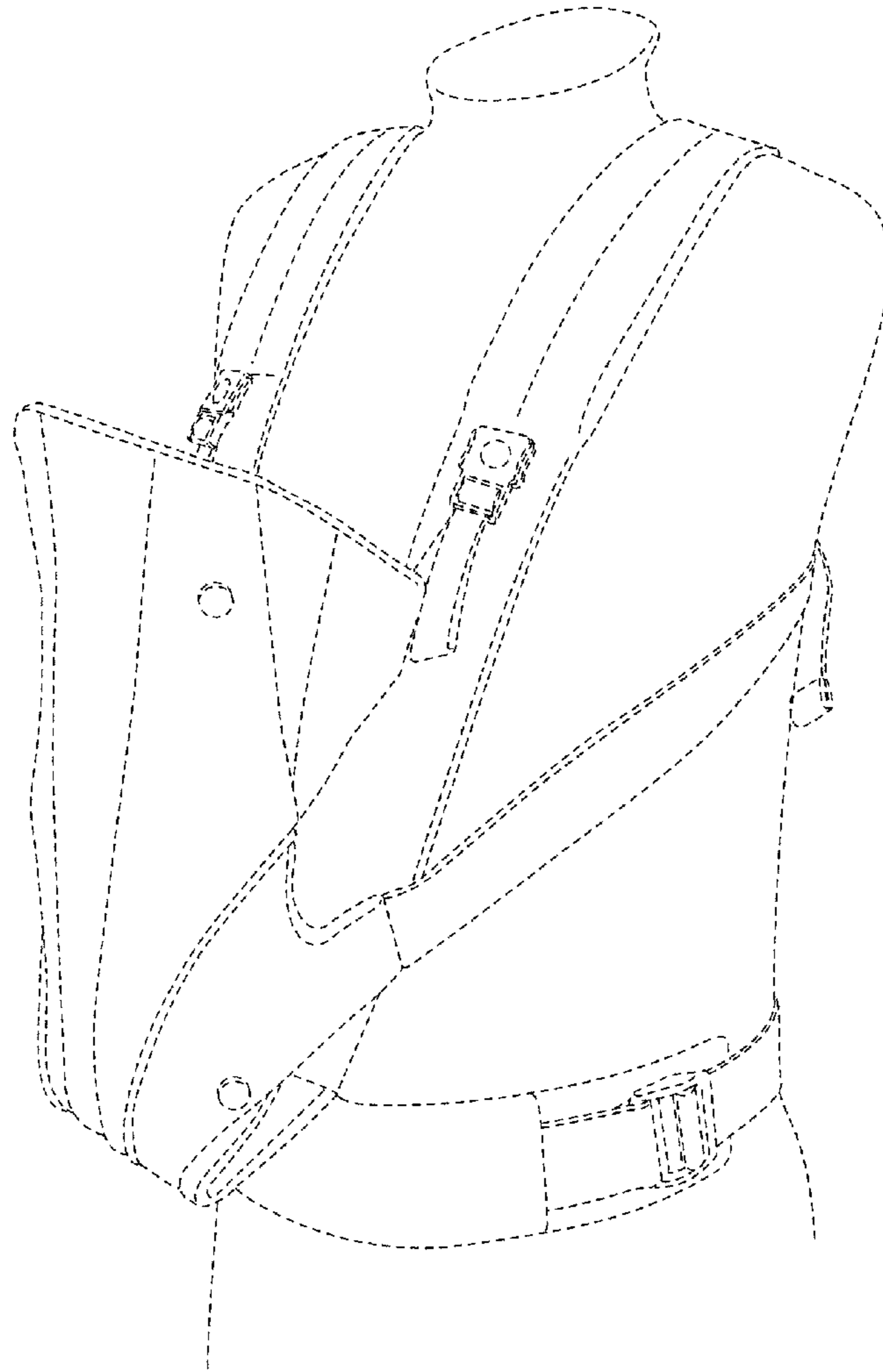


FIG. 7

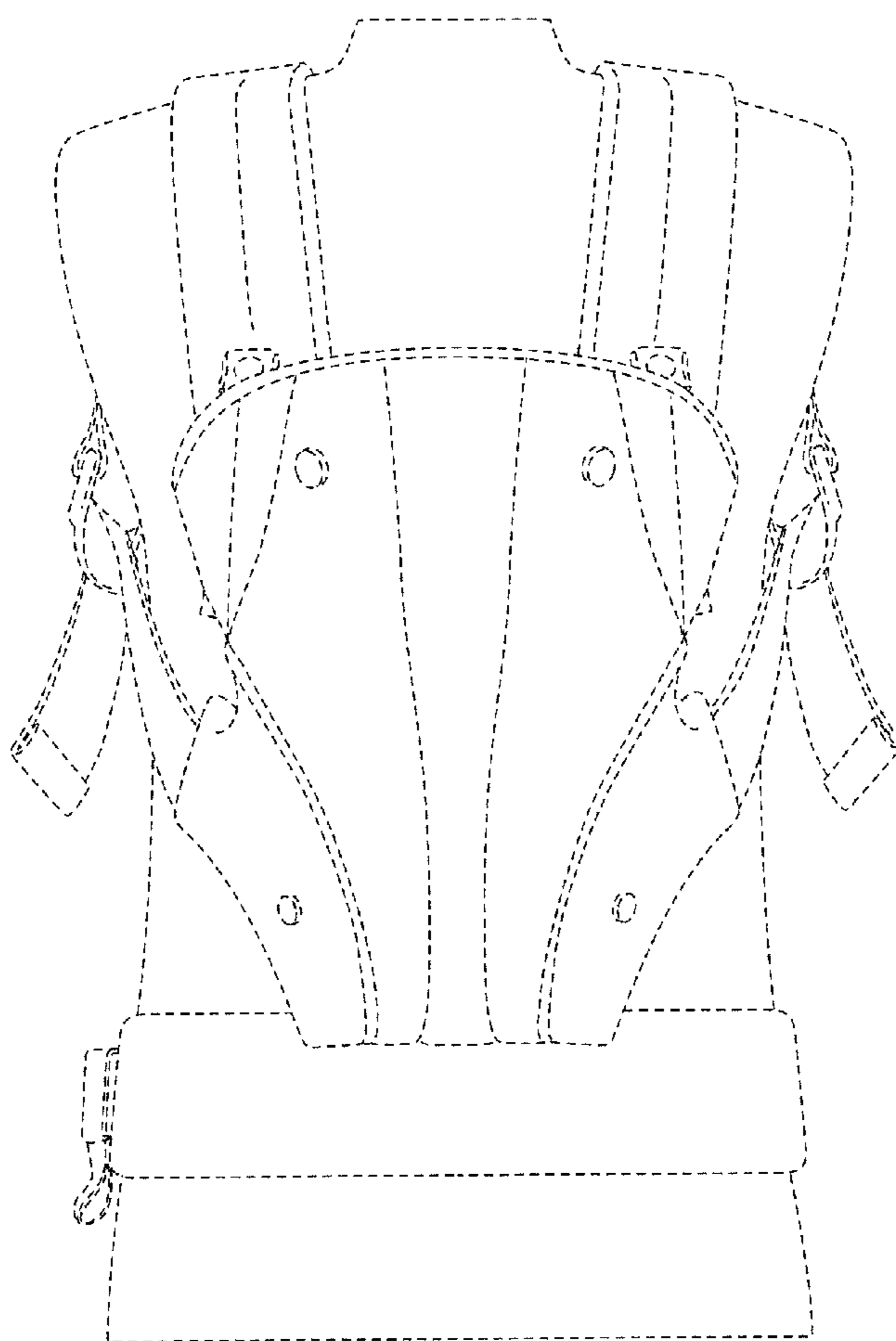


FIG. 8

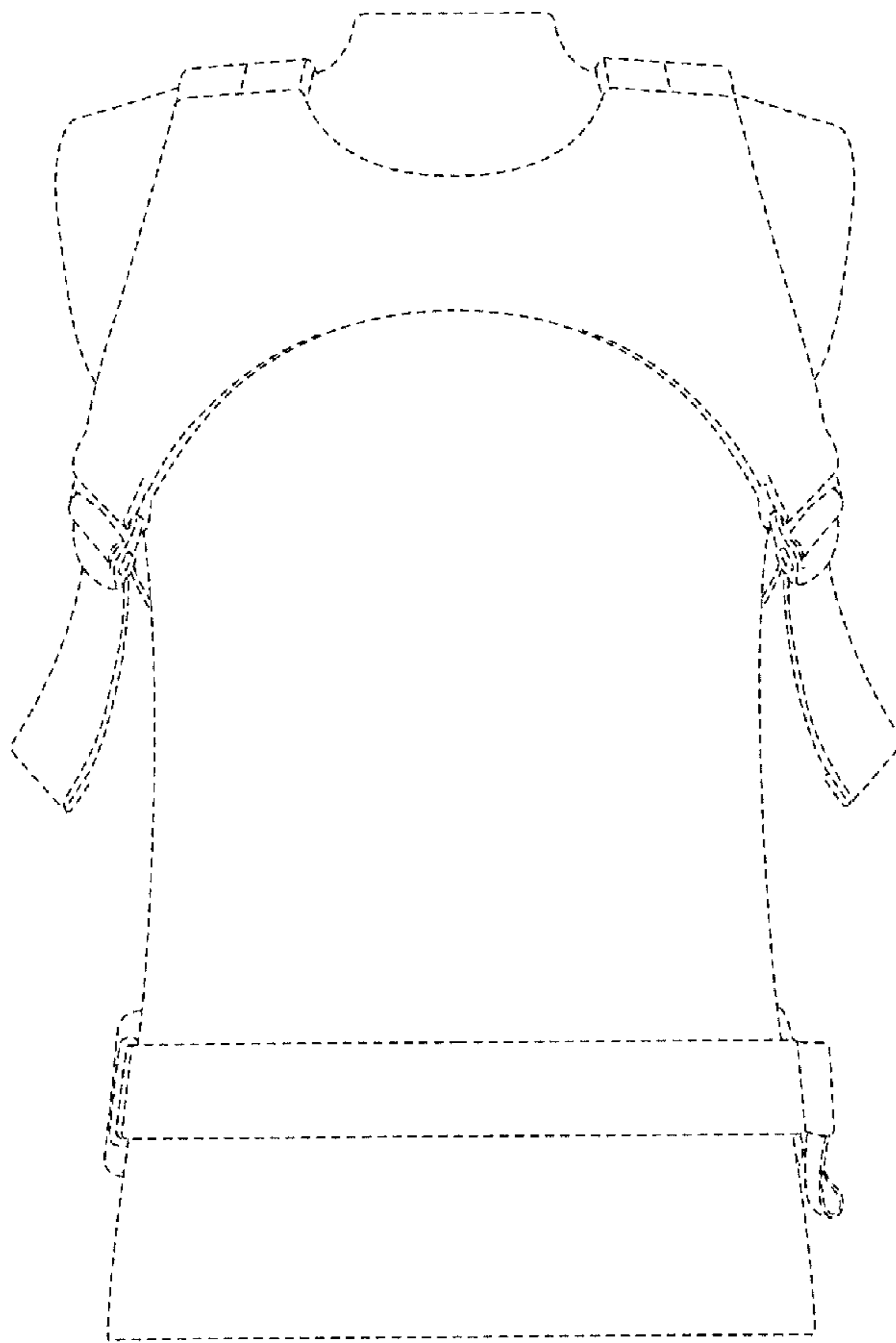


FIG. 9

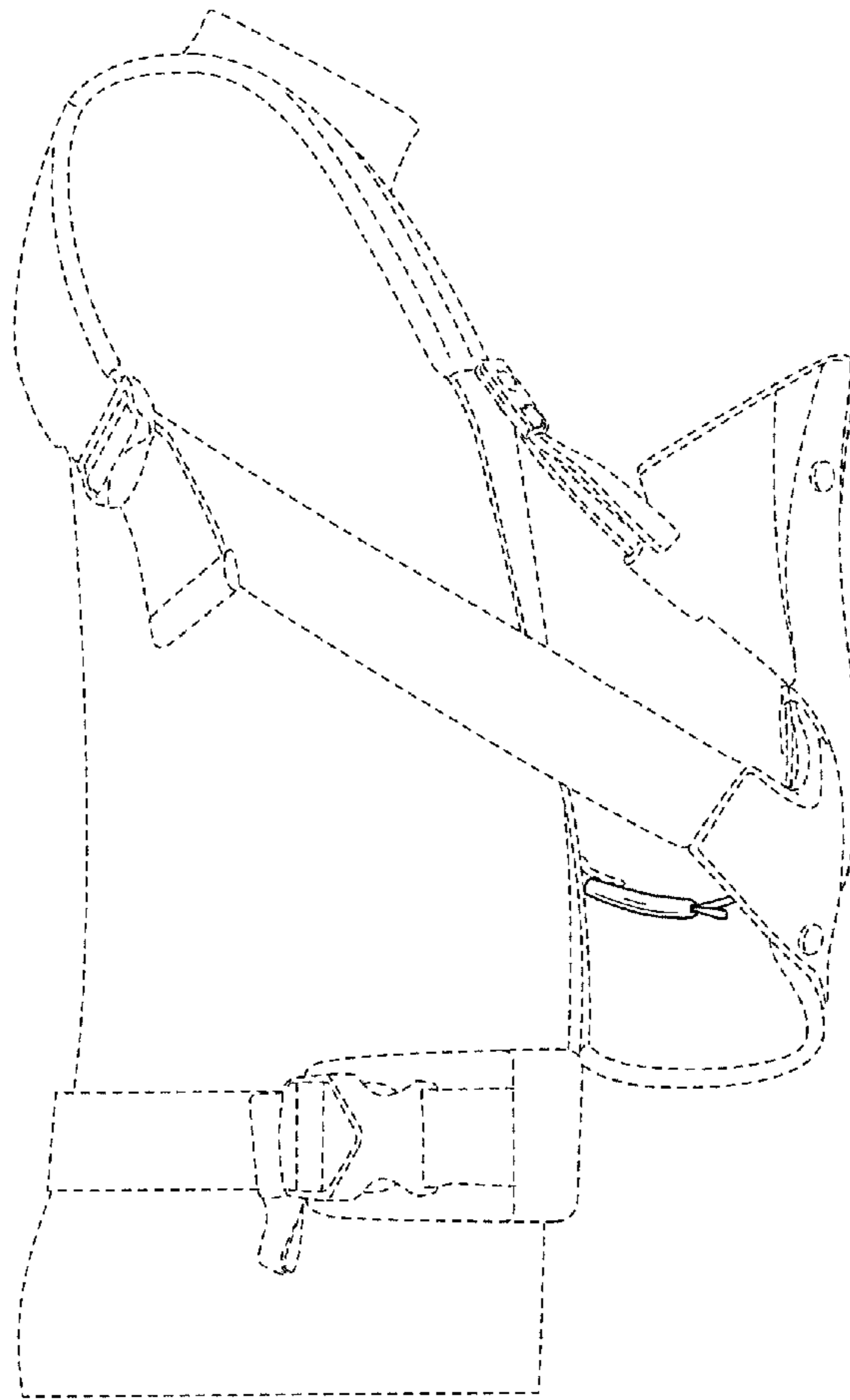


FIG. 10

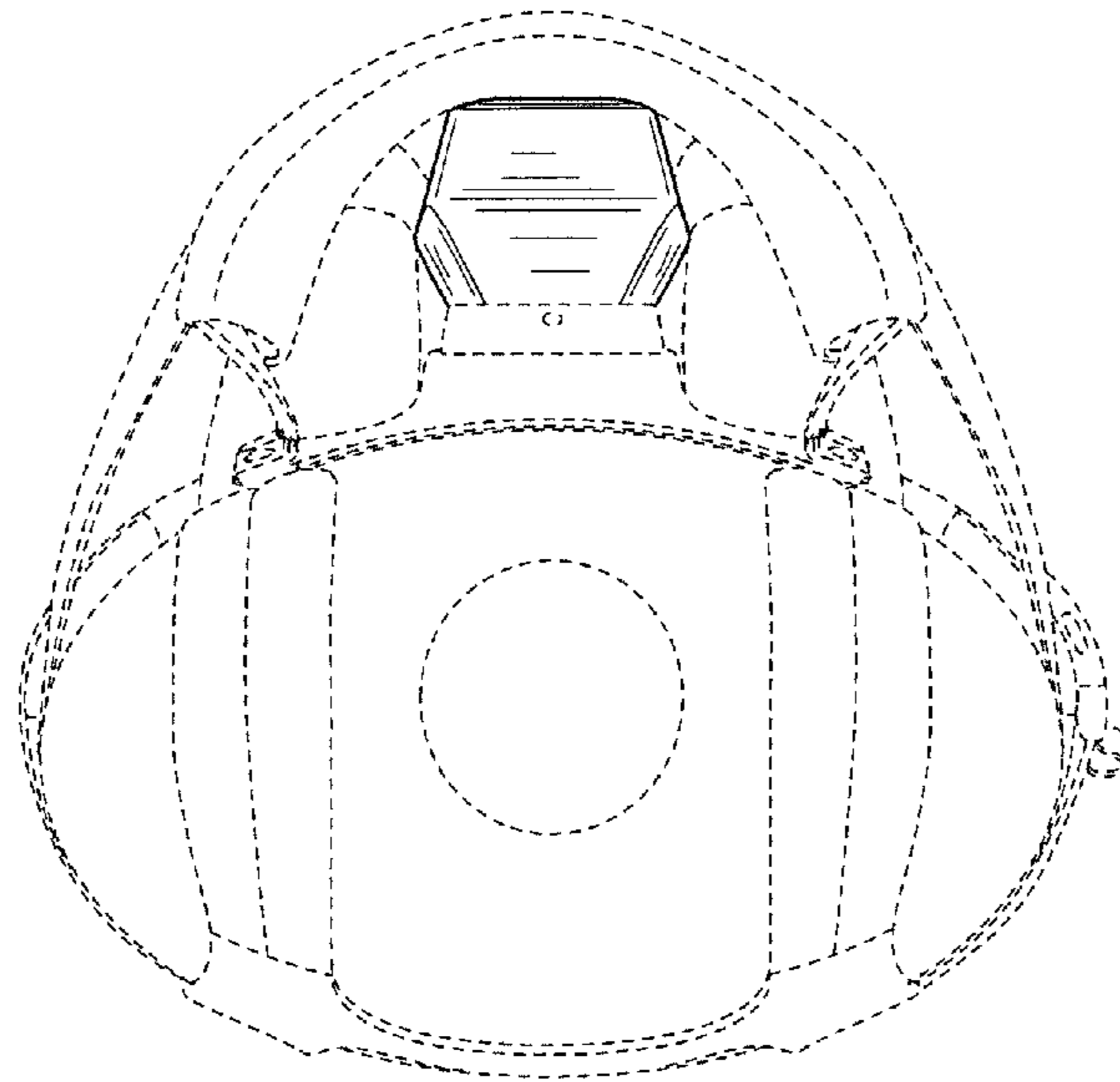


FIG. 11

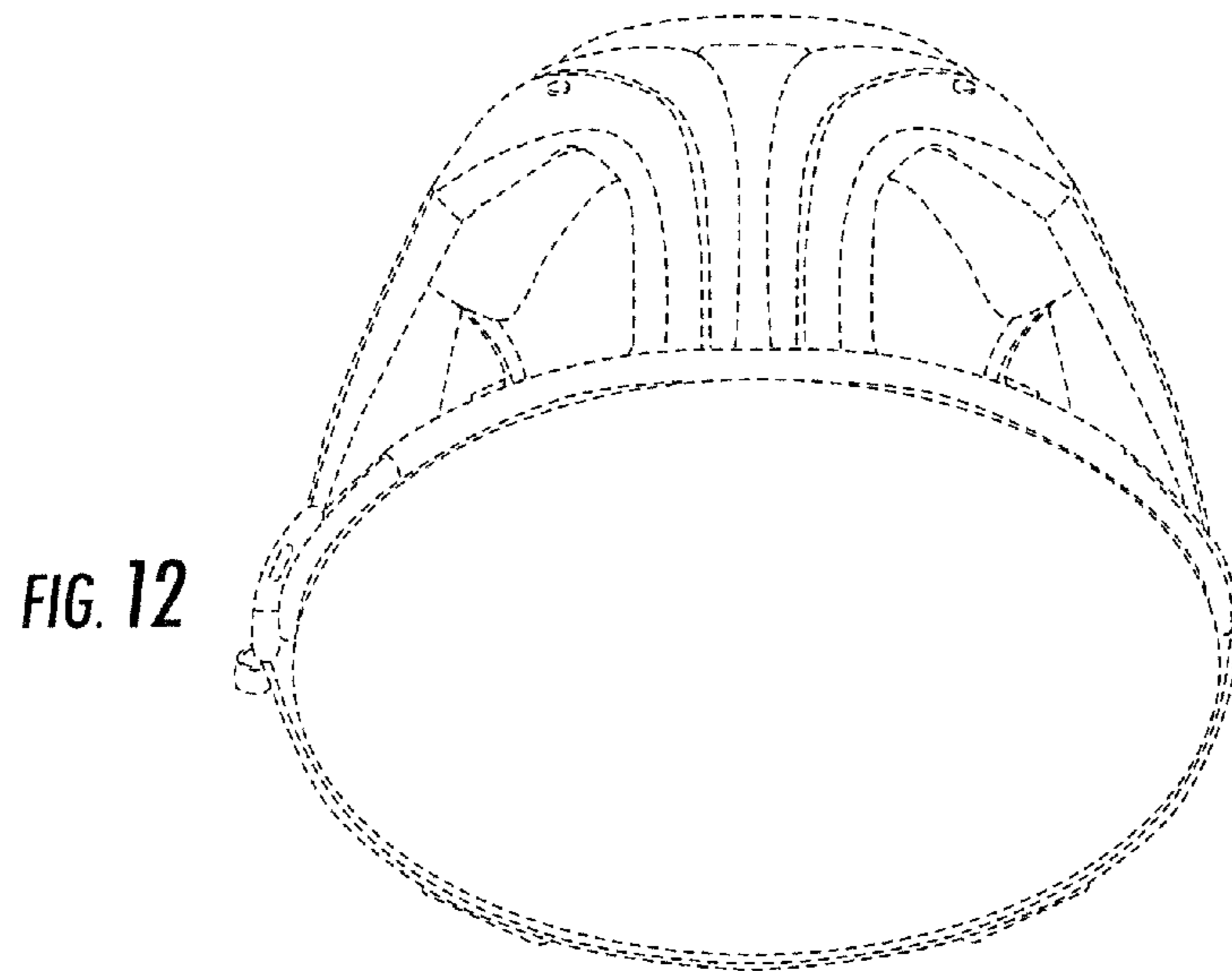


FIG. 12