



US00D720117S

(12) **United States Design Patent**
Haro et al.

(10) **Patent No.:** **US D720,117 S**

(45) **Date of Patent:** **** Dec. 30, 2014**

(54) **SHAPED FOOD PRODUCT**

(71) Applicant: **Kraft Foods Group Brands LLC**,
Northfield, IL (US)

(72) Inventors: **Guillermo Haro**, Skokie, IL (US);
Timothy S. Hansen, La Grange, IL (US)

(73) Assignee: **Kraft Foods Group Brands LLC**,
Northfield, IL (US)

(**) Term: **14 Years**

(21) Appl. No.: **29/473,143**

(22) Filed: **Nov. 19, 2013**

(51) **LOC (10) Cl.** **01-01**

(52) **U.S. Cl.**
USPC **D1/107**

(58) **Field of Classification Search**
USPC D1/100-130, 199; D7/335, 556, 359,
D7/672, 675, 676, 677; D2/869, 871, 872,
D2/889, 895; D29/103, 122; D11/14, 30,
D11/44, 48, 81, 239; D6/320; D9/668
See application file for complete search history.

(56) **References Cited**

U.S. PATENT DOCUMENTS

D179,967 S * 4/1957 Erickson D29/104
D277,996 S * 3/1985 Megargee D2/871

(Continued)

OTHER PUBLICATIONS

Viking Helmut Cookie Cutter, Apr. 20, 2012. [online.] [retrieved on
Jun. 3, 2014]. Retrieved from internet <URL: [\[pergifts.com/cookie-cutters/pc/Viking-Helmet-Cookie-Cutter-p5206.htm\]\(http://pergifts.com/cookie-cutters/pc/Viking-Helmet-Cookie-Cutter-p5206.htm\)>.*](http://www.cop-</p></div>
<div data-bbox=)

Primary Examiner — Deanna L Pratt

Assistant Examiner — Katie Mroczka

(74) *Attorney, Agent, or Firm* — Foley & Lardner LLP

(57) **CLAIM**

We claim the ornamental design for a shaped food product, as shown and described.

DESCRIPTION

FIG. 1 is a front perspective view of another embodiment of the claimed design;

FIG. 2 is a front view of the design of FIG. 1;

FIG. 3 is a rear view of the design of FIG. 1;

FIG. 4 is a top view of the design of FIG. 1;

FIG. 5 is a bottom view of the design of FIG. 1;

FIG. 6 is a left side view of the design of FIG. 1;

FIG. 7 is a right side view of the design of FIG. 1;

FIG. 8 is a front perspective view of another embodiment of the claimed design;

FIG. 9 is a front view of the design of FIG. 8;

FIG. 10 is a rear view of the design of FIG. 8;

FIG. 11 is a top view of the design of FIG. 8;

FIG. 12 is a bottom view of the design of FIG. 8;

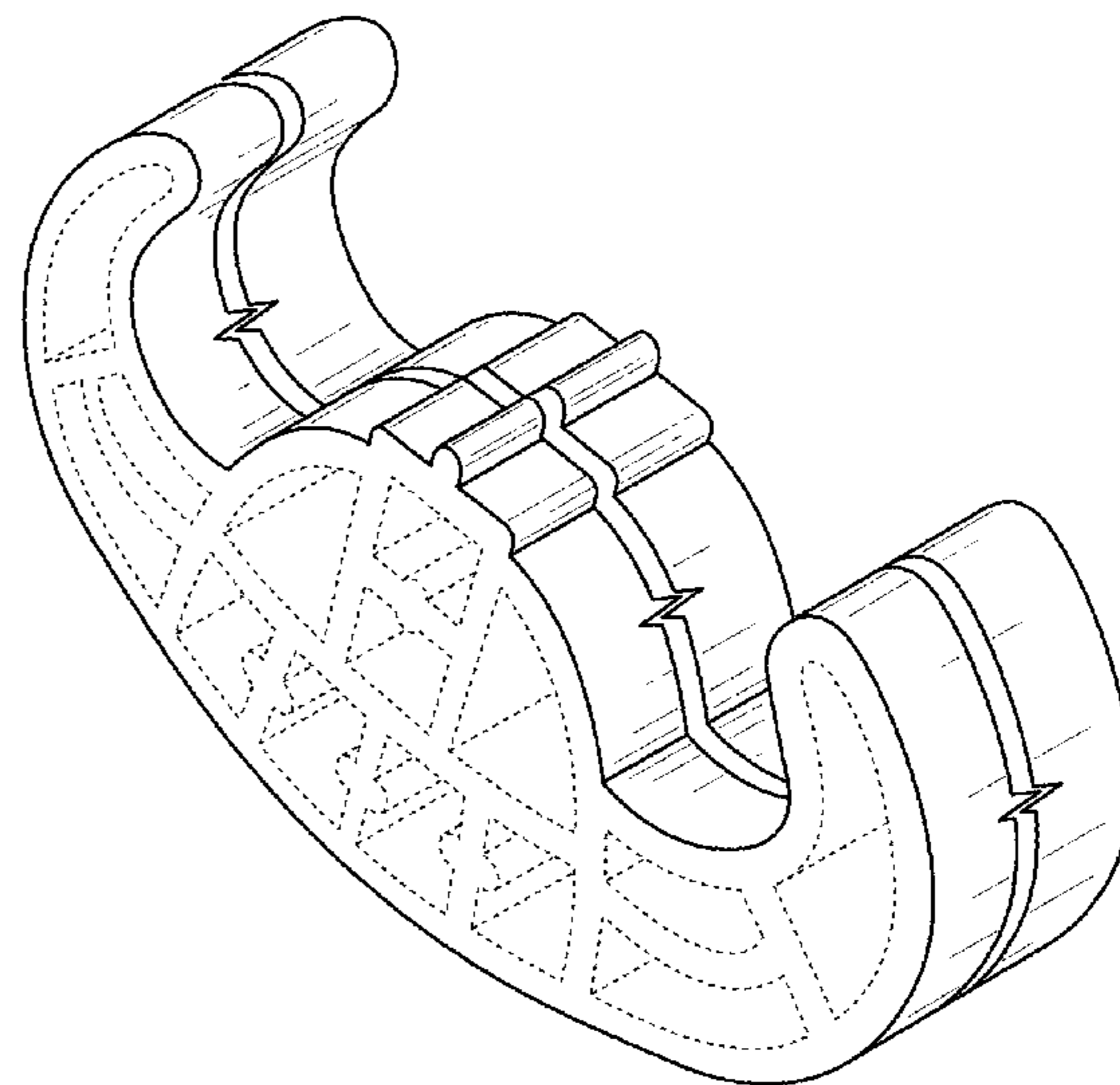
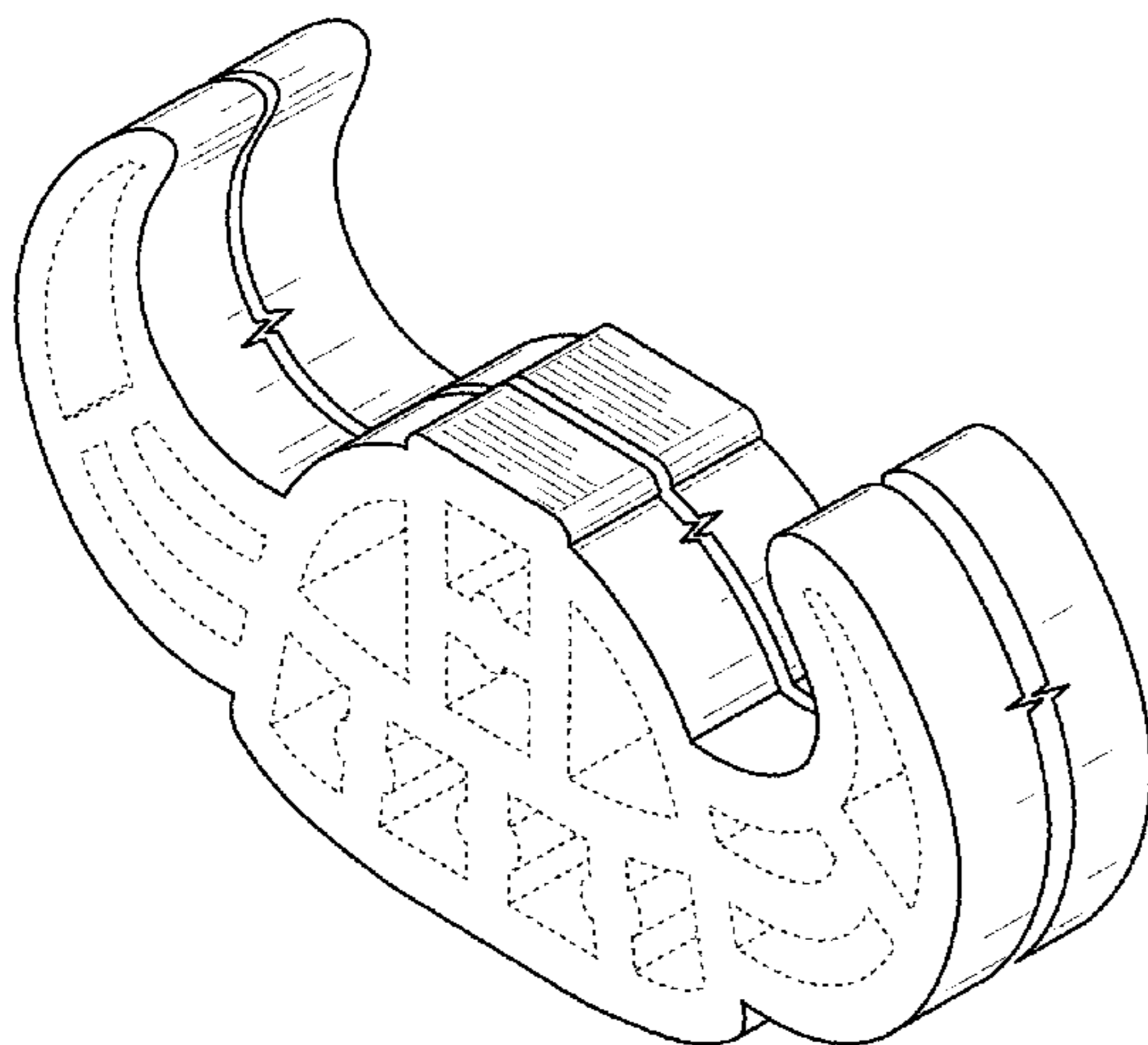
FIG. 13 is a left side view of the design of FIG. 8; and,

FIG. 14 is a right side view of the design of FIG. 8.

Broken lines shown in FIGS. 1-3 and 8-10 illustrate portions of the shaped food product, that form no part of the claimed design.

The break lines in the drawings indicate that the appearance of any portion of the shaped food product between the break lines forms no part of the claimed design.

1 Claim, 12 Drawing Sheets



(56)

References Cited

U.S. PATENT DOCUMENTS

D280,948 S *	10/1985	Smith	D2/872	D458,735 S *	6/2002	Cook et al.	D2/869
D324,601 S *	3/1992	Meyers et al.	D1/106	D497,236 S	10/2004	Haro		
D378,326 S *	3/1997	Goodner	D6/320	D512,807 S	12/2005	Haro		
D396,940 S *	8/1998	Clegg	D2/869	D513,551 S *	1/2006	Haro	D1/126
D404,891 S *	2/1999	Clegg	D2/869	D525,411 S *	7/2006	Haro	D1/106
D414,591 S *	10/1999	Baker	D2/869	D574,576 S *	8/2008	Greenleaf	D1/110
					D589,226 S	3/2009	Haro et al.		
					D596,832 S *	7/2009	Kelley	D2/895
					D621,126 S	8/2010	Haro et al.		

* cited by examiner

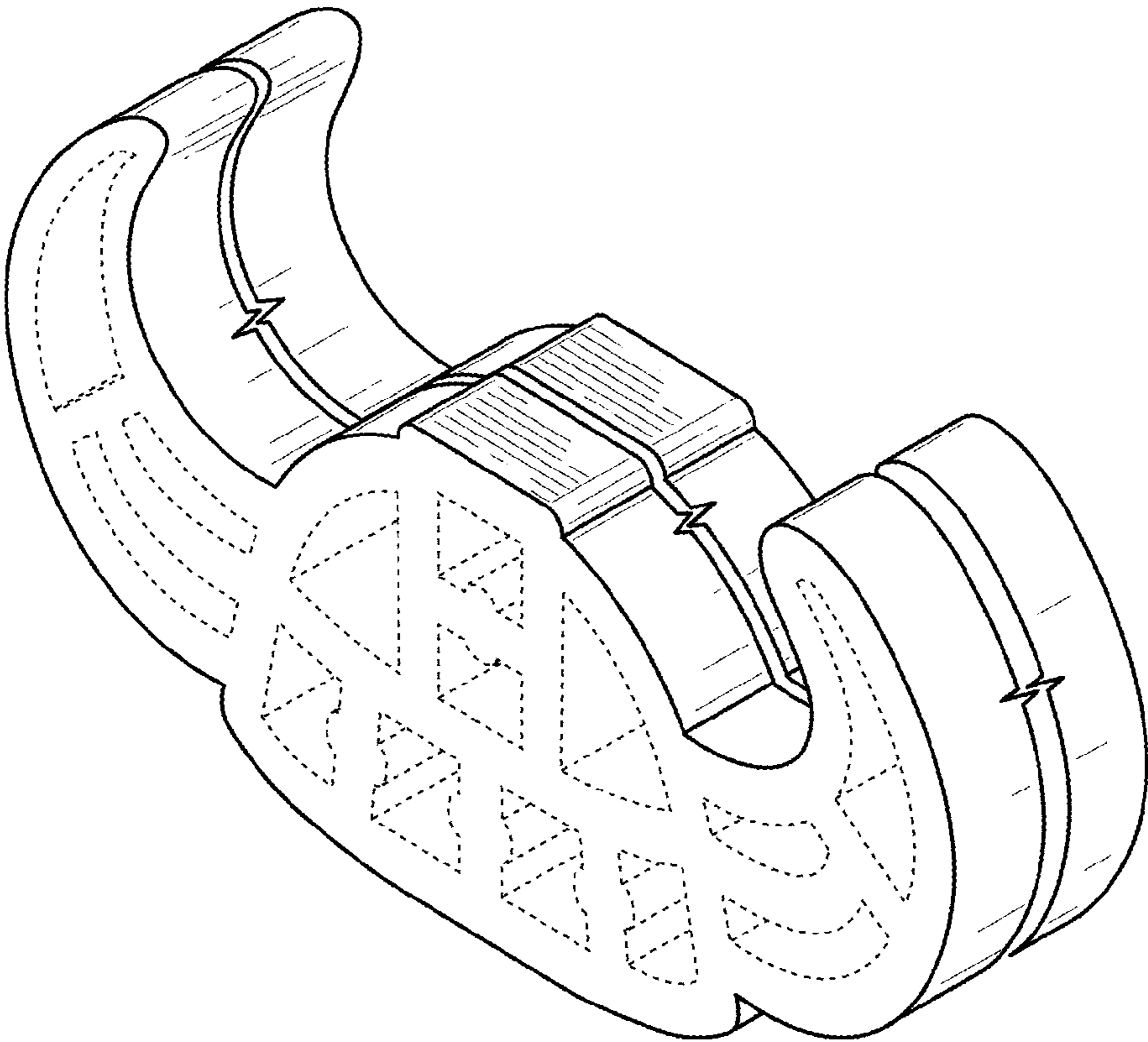


FIG. 1

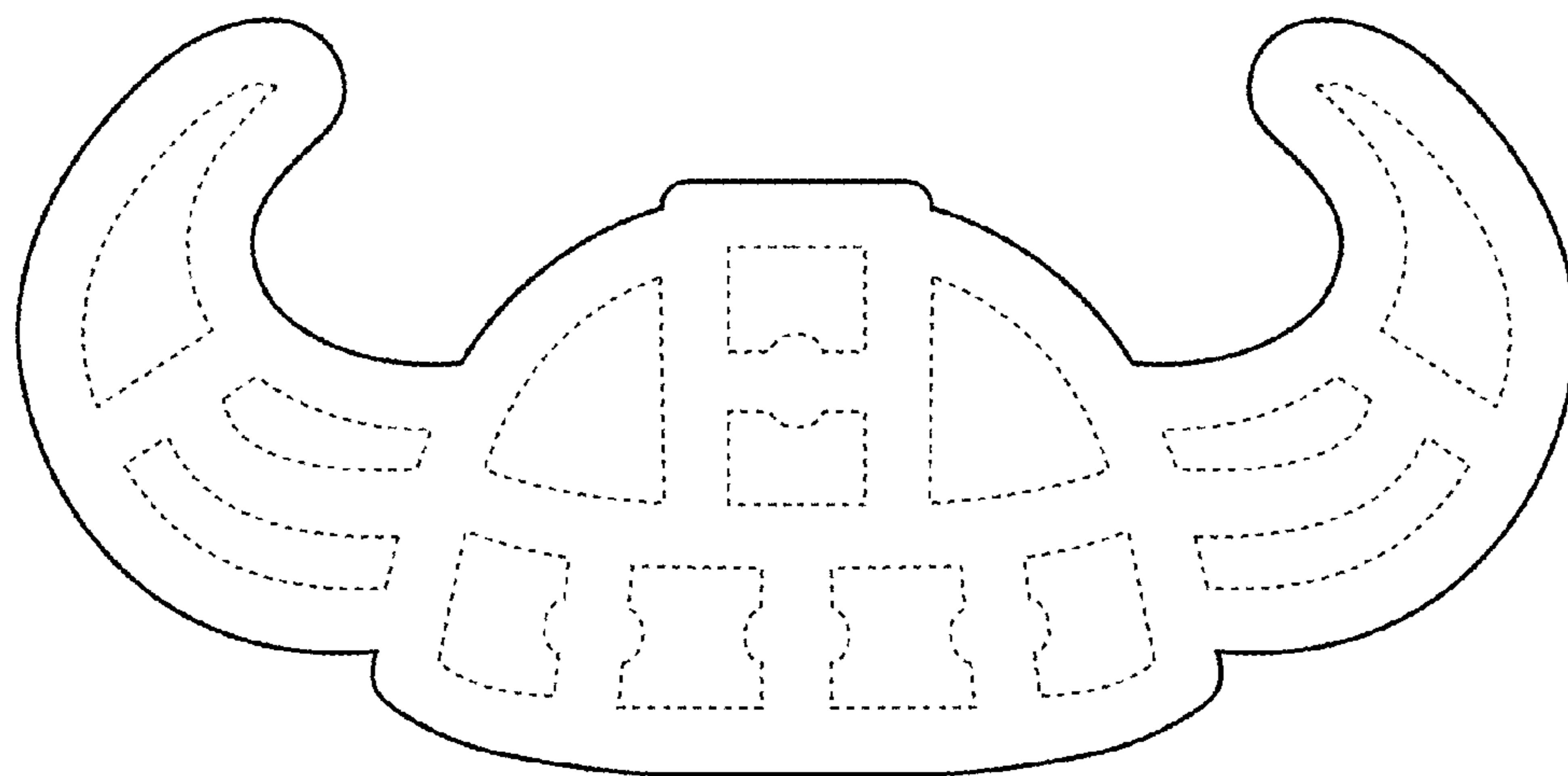


FIG. 2

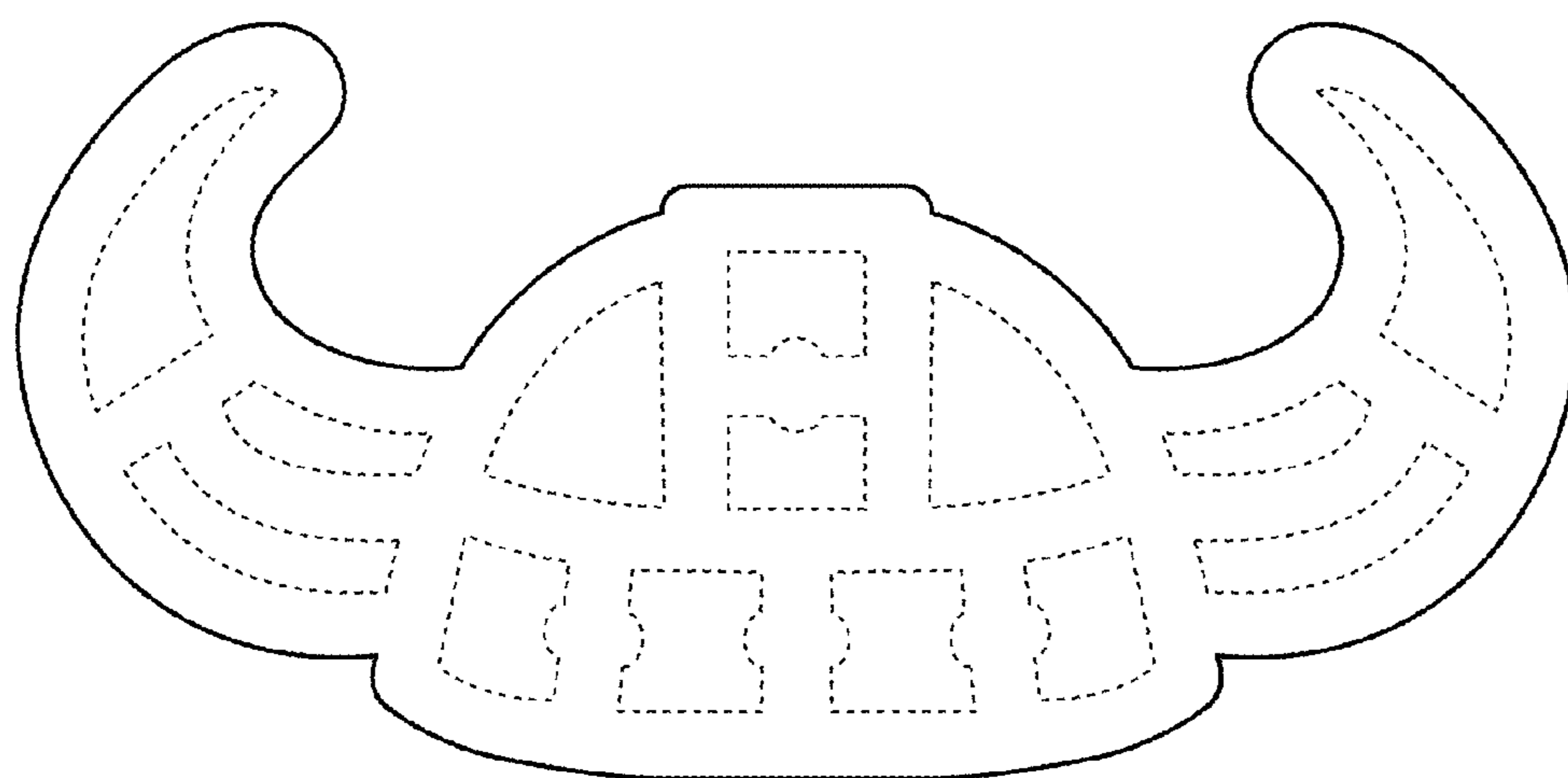


FIG. 3

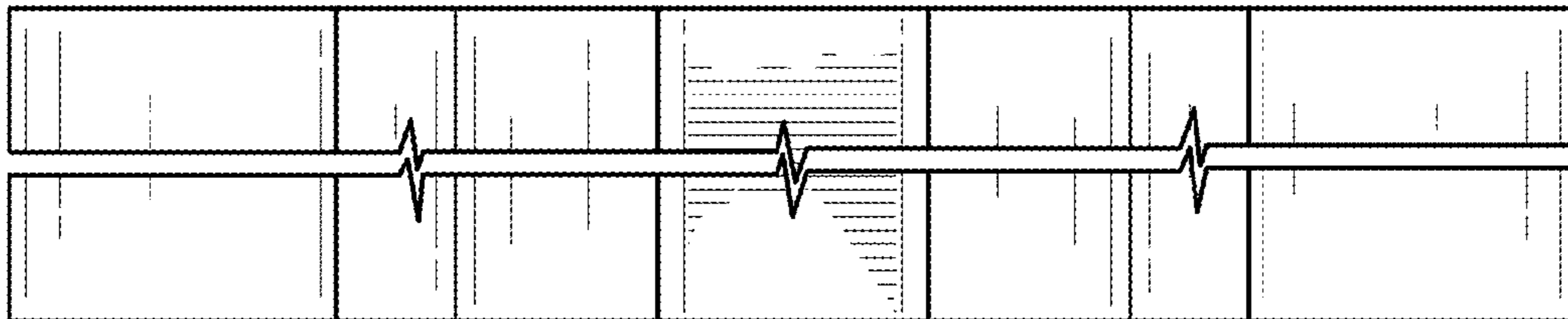


FIG. 4

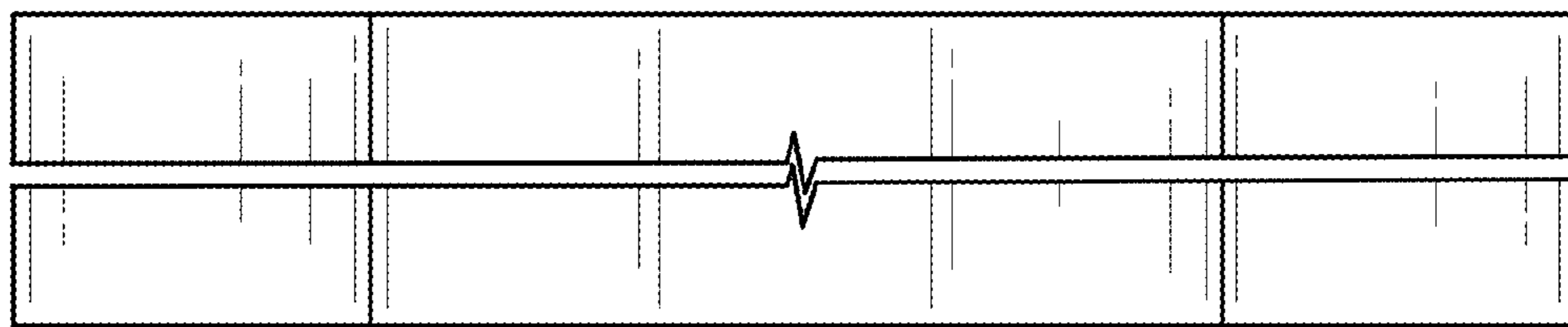


FIG. 5

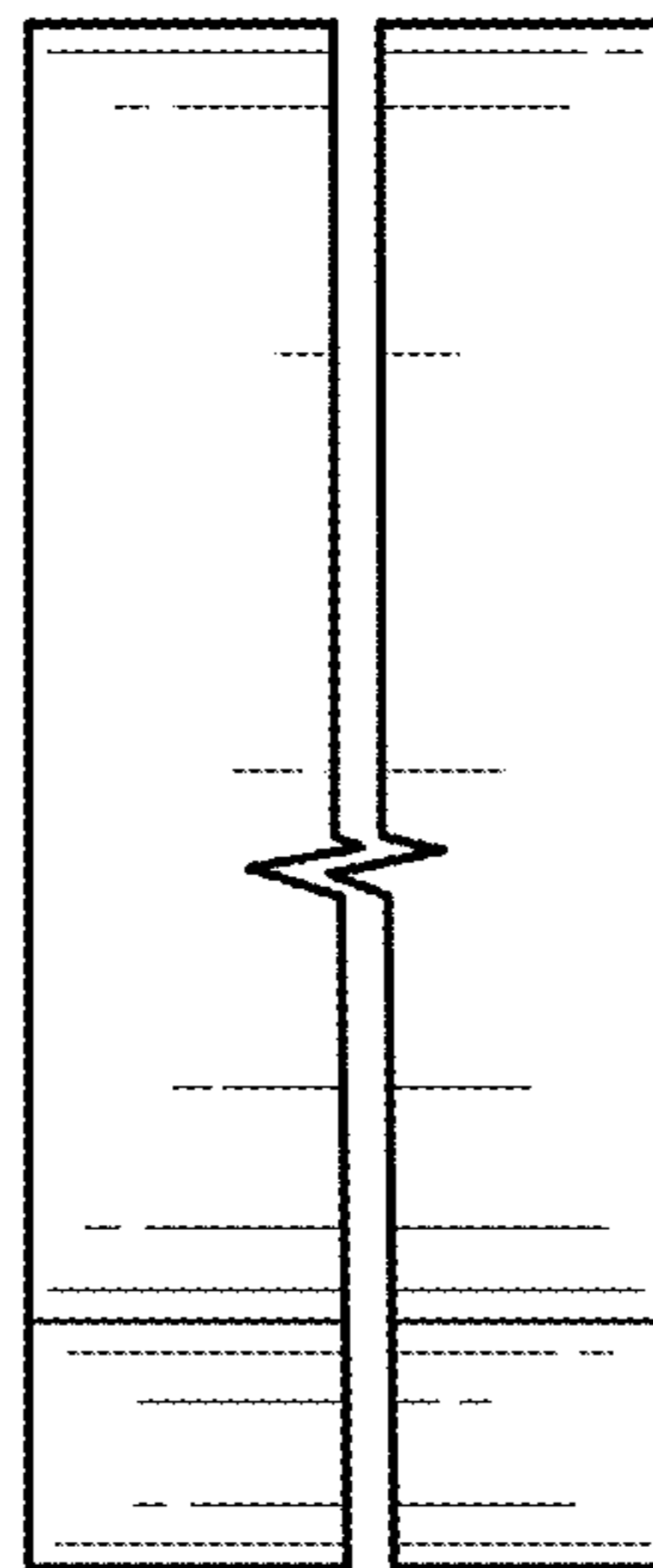


FIG. 6

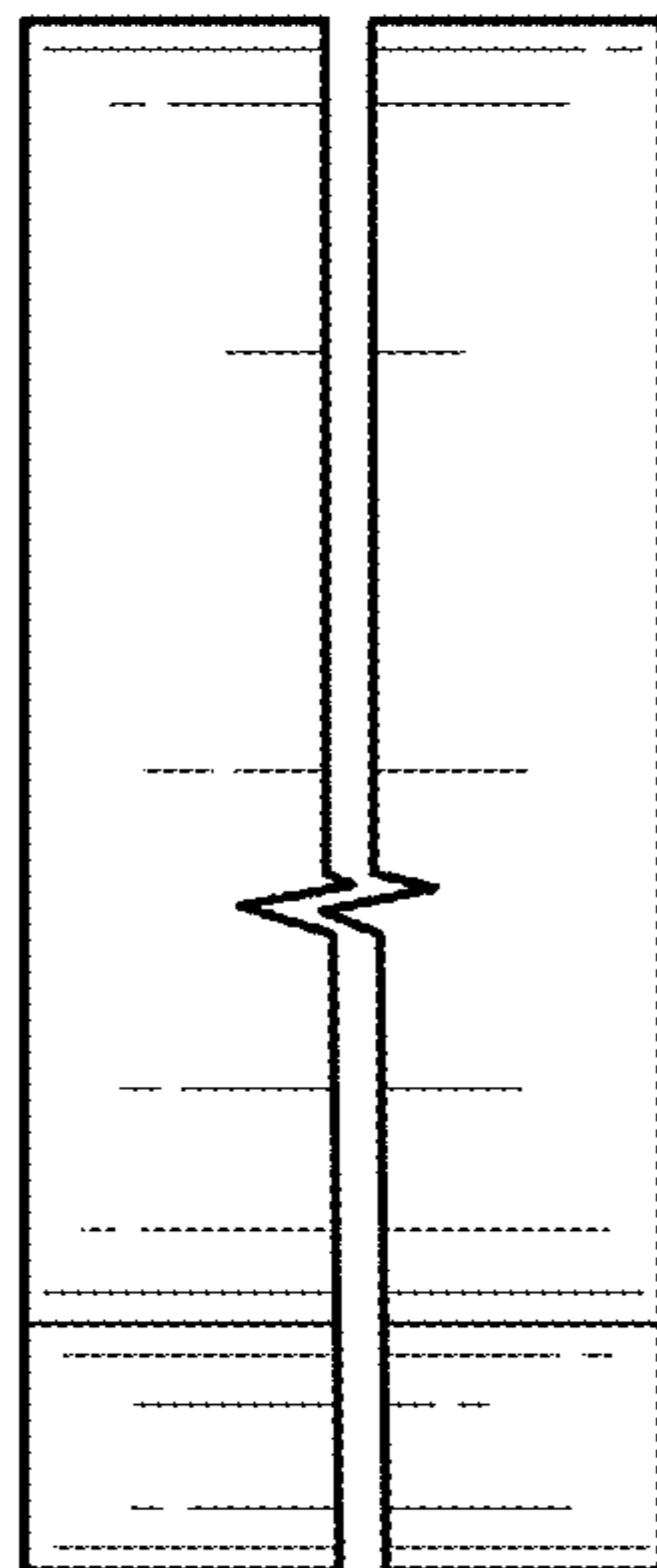


FIG. 7

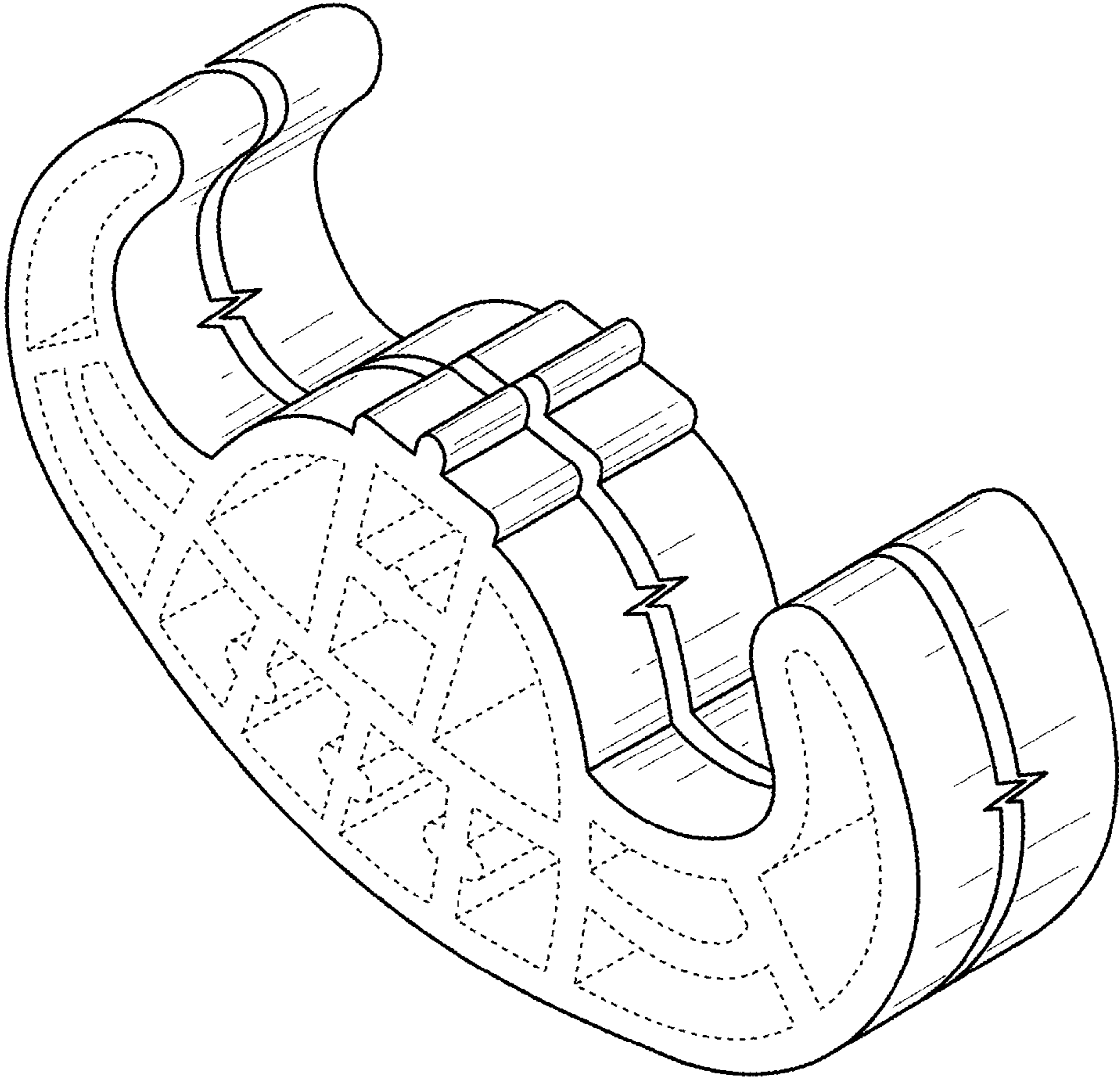


FIG. 8

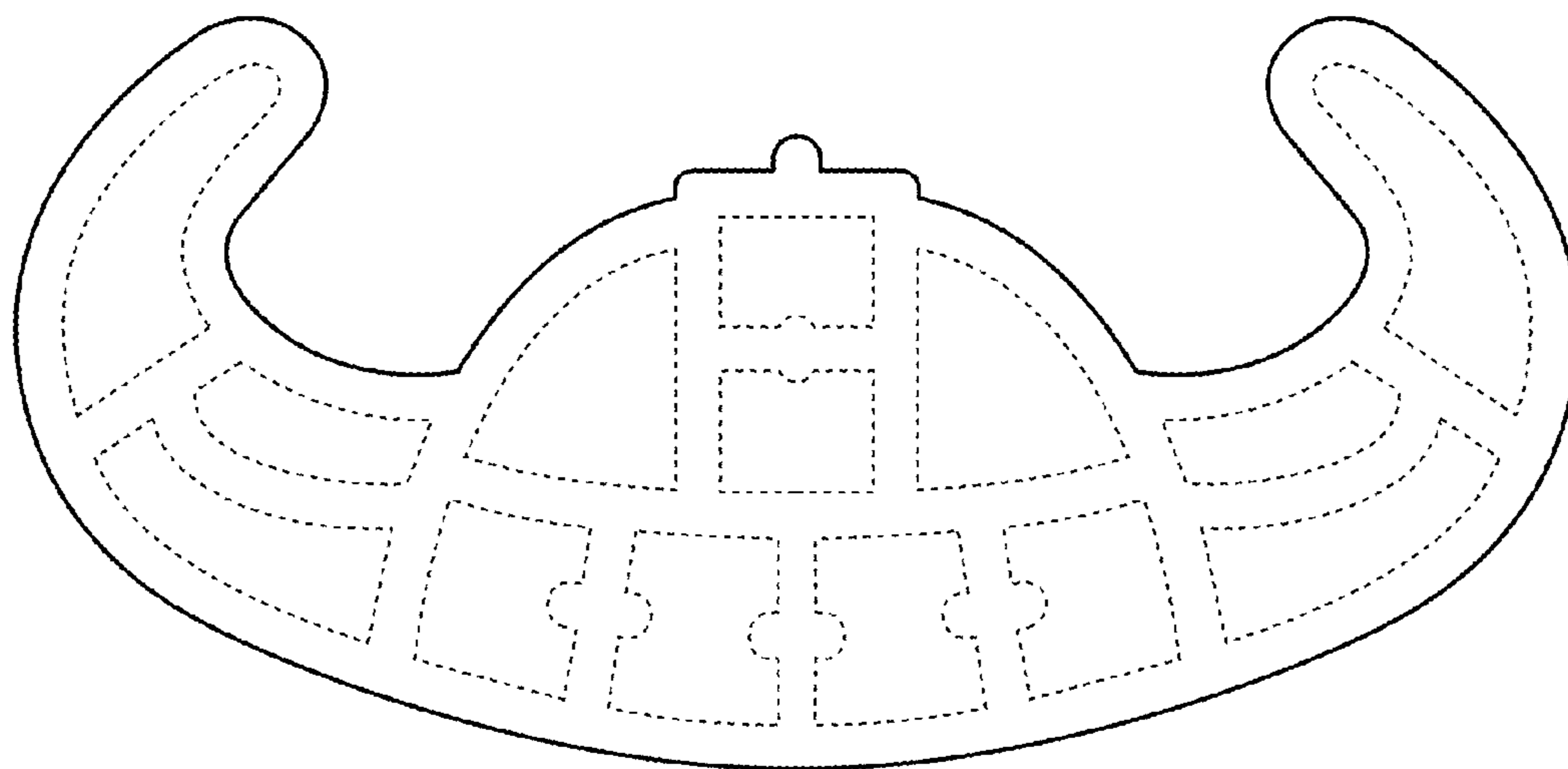


FIG. 9

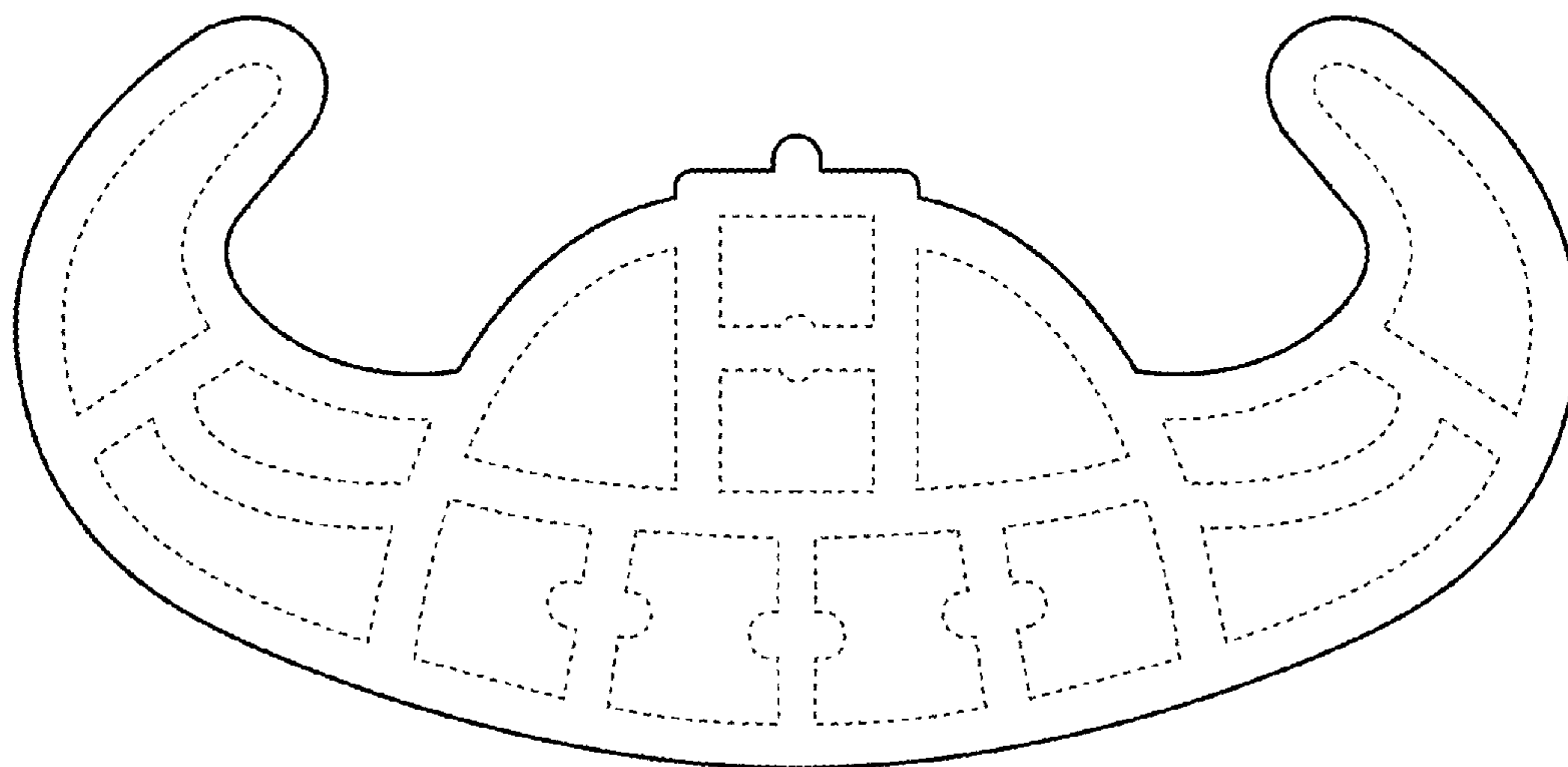


FIG. 10

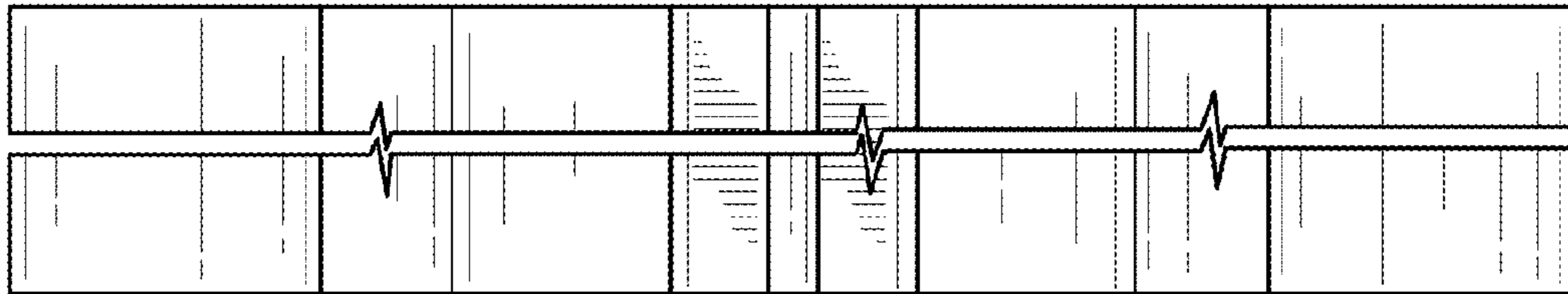


FIG. 11

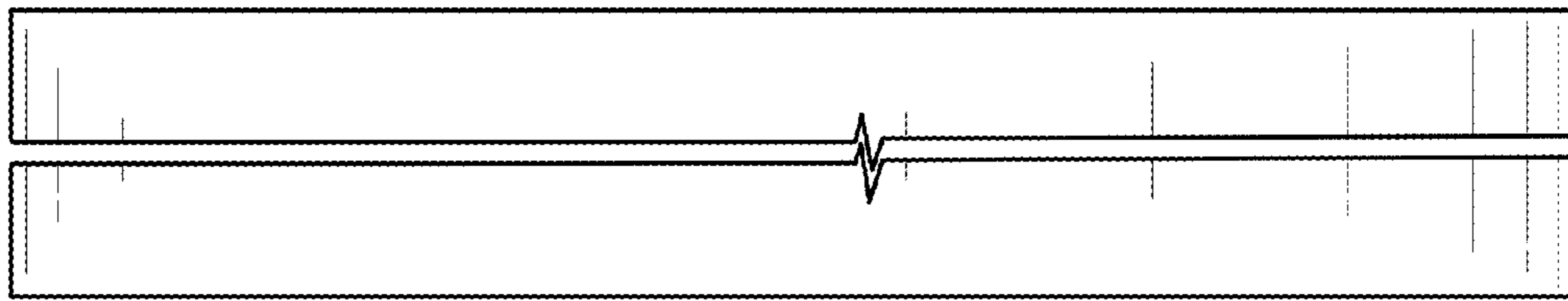


FIG. 12

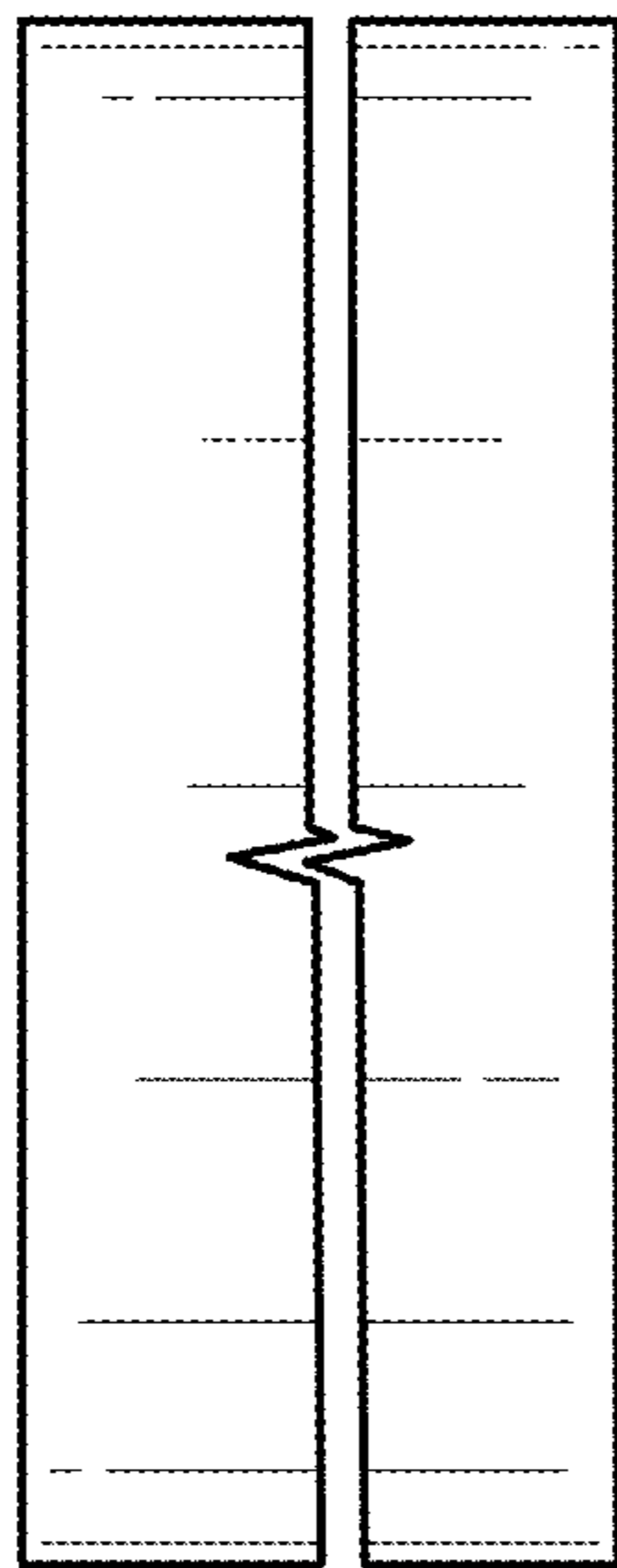


FIG. 13

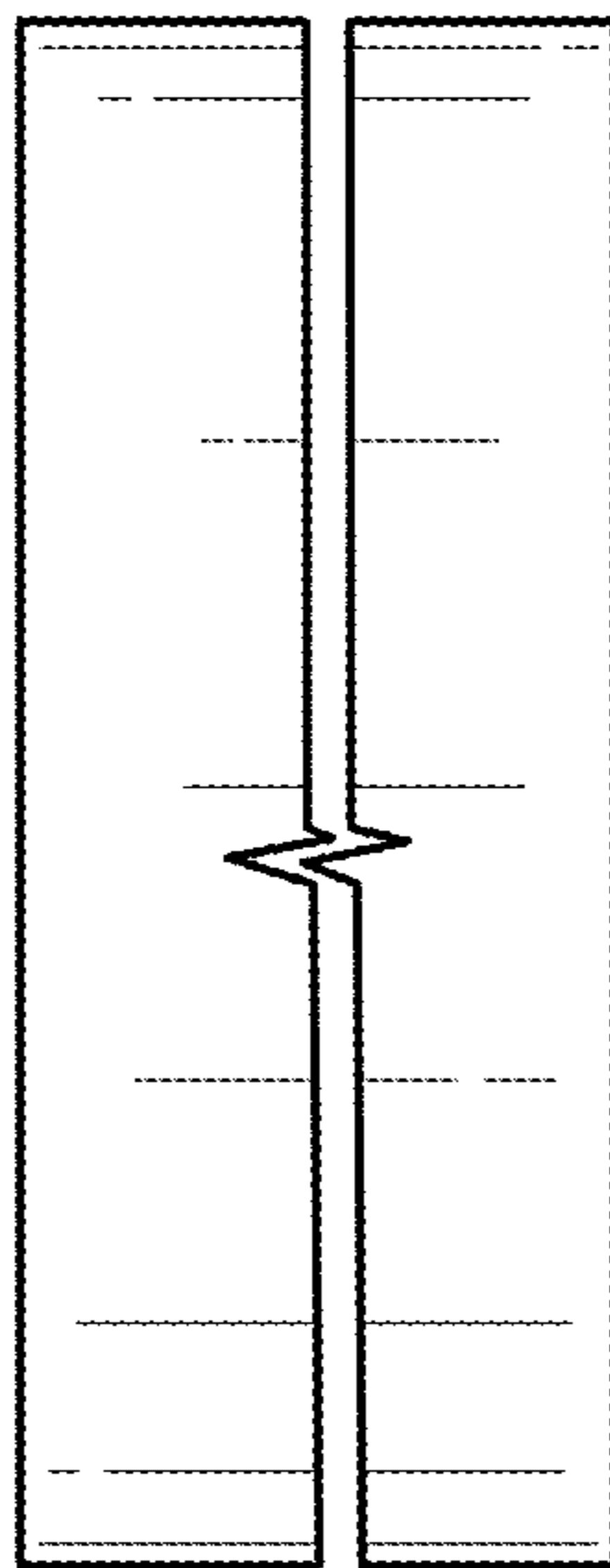


FIG. 14