



US00D720113S

(12) **United States Design Patent**  
**Frye**

(10) **Patent No.:** **US D720,113 S**

(45) **Date of Patent:** **\*\* Dec. 23, 2014**

- (54) **SAFETY RETURN IDLER GLOVE**
- (71) Applicant: **Charles A. Frye**, Washburn, TN (US)
- (72) Inventor: **Charles A. Frye**, Washburn, TN (US)
- (\*\*) Term: **14 Years**
- (21) Appl. No.: **29/439,246**
- (22) Filed: **Dec. 7, 2012**
- (51) **LOC (10) Cl.** ..... **12-05**
- (52) **U.S. Cl.**  
USPC ..... **D34/35**
- (58) **Field of Classification Search**  
USPC ..... D34/29, 35, 27; 198/853, 812, 313,  
198/588, 860.3, 497  
See application file for complete search history.

- D523,210 S \* 6/2006 Folk et al. .... D34/35
- D553,320 S \* 10/2007 Rosen et al. .... D34/5
- 7,284,658 B2 10/2007 Wiggins et al.
- D569,070 S \* 5/2008 Oliver ..... D34/29
- D601,174 S \* 9/2009 TerBeek ..... D15/28
- D657,520 S \* 4/2012 Jachim ..... D34/6
- 8,151,968 B2 4/2012 Bremhorst
- 2006/0163041 A1 7/2006 Wiggins et al.

\* cited by examiner

*Primary Examiner* — Cynthia Ramirez

(74) *Attorney, Agent, or Firm* — Richard L. Miller

(57) **CLAIM**

The ornamental design for a safety return idler glove, as shown and described.

**DESCRIPTION**

FIG. 1 is a three quarter front, right top perspective view of an embodiment of a safety return idler glove showing my new design;

FIG. 2 is a top plan view thereof;

FIG. 3 is a bottom plan view thereof;

FIG. 4 is a right side elevational view thereof, it being understood that the left side elevational view is a mirror image thereof;

FIG. 5 is a front elevational view thereof; and,

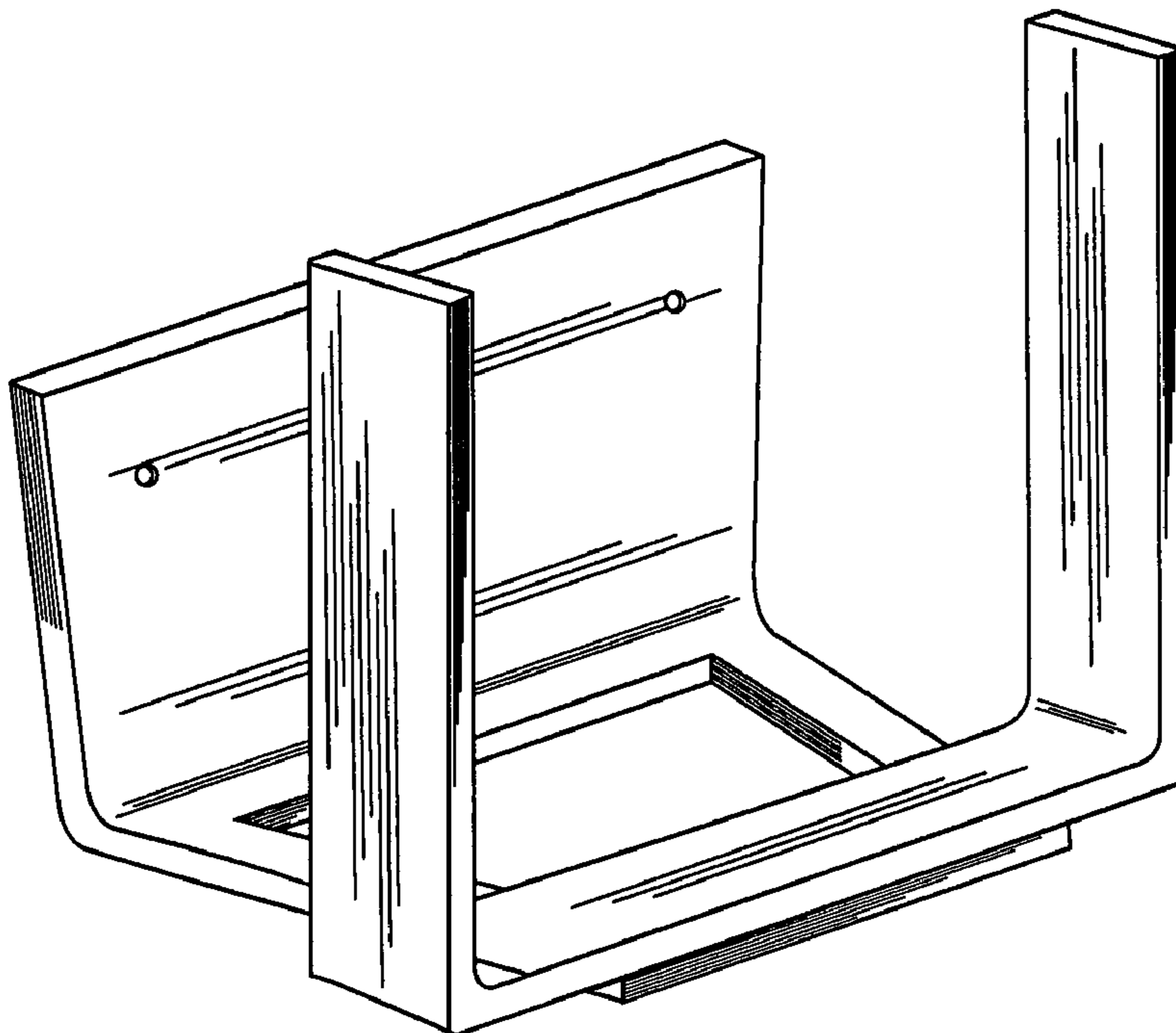
FIG. 6 is a rear elevational view thereof.

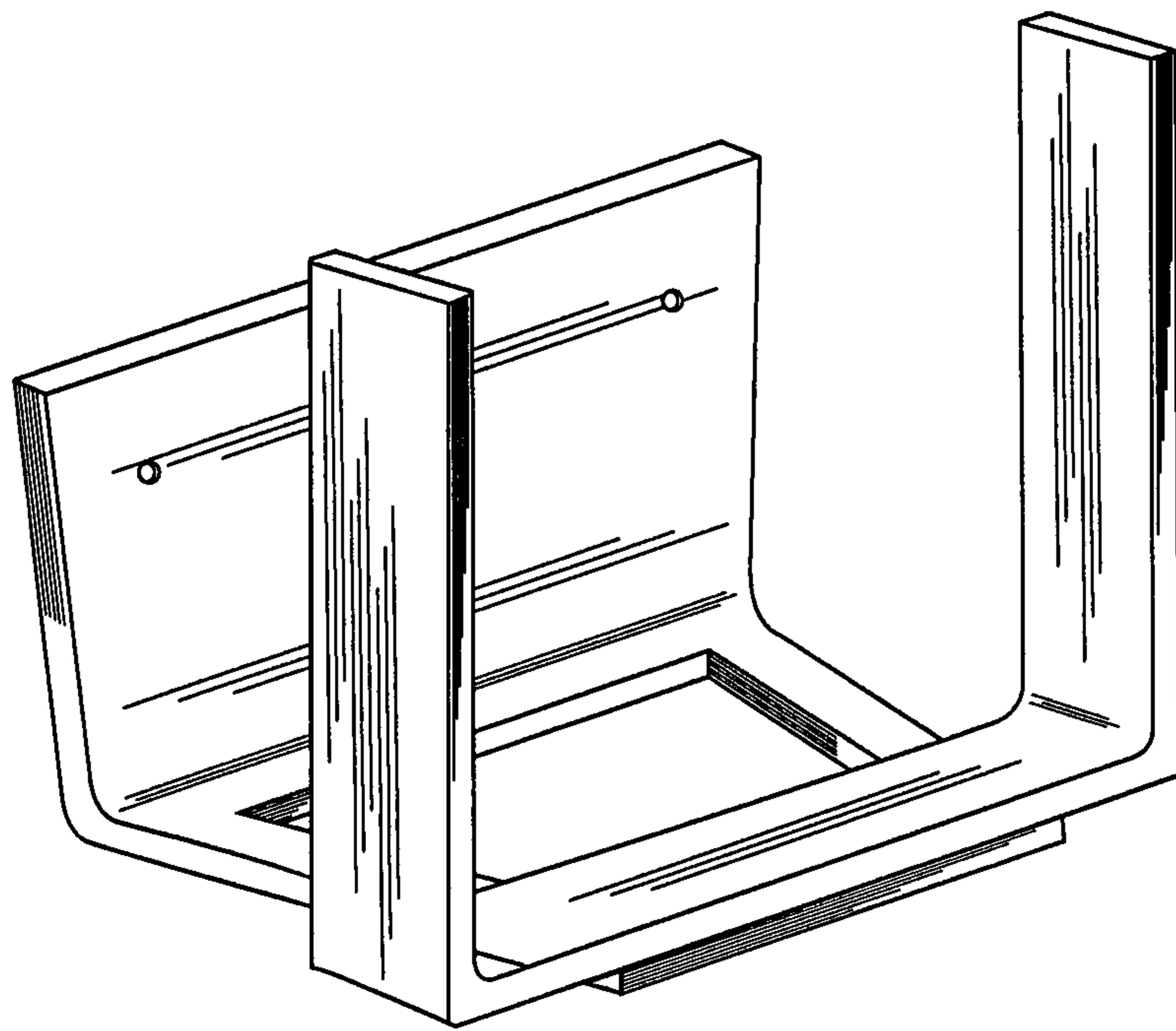
**1 Claim, 6 Drawing Sheets**

(56) **References Cited**

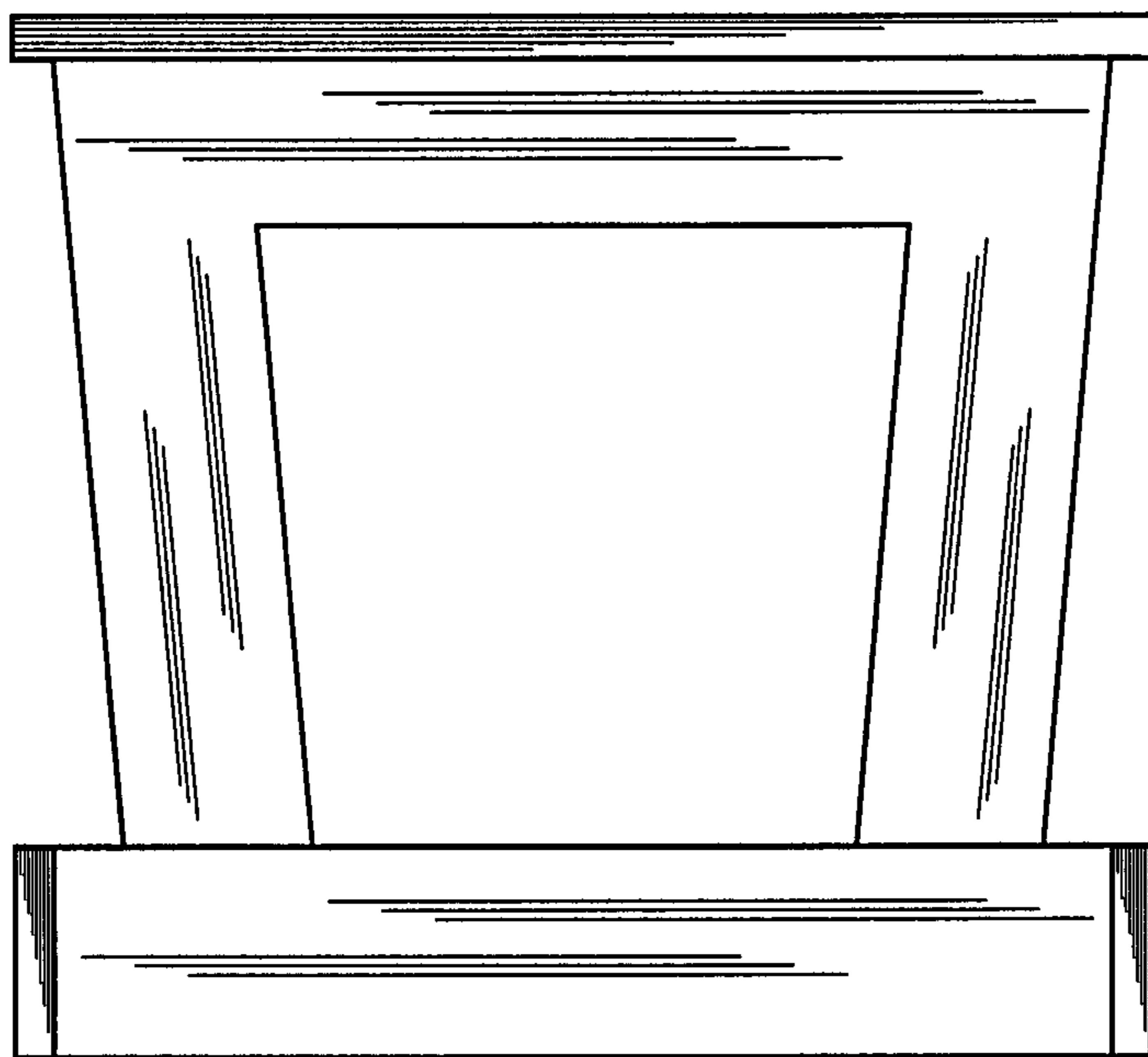
U.S. PATENT DOCUMENTS

- 3,268,060 A 8/1966 Long
- D298,675 S \* 11/1988 Jestice ..... D34/29
- 4,809,846 A \* 3/1989 Hodlewsky et al. .... 198/853
- D334,307 S \* 3/1993 Lee ..... D6/462
- D367,139 S \* 2/1996 Brown ..... D34/5
- D368,567 S \* 4/1996 Chase ..... D34/29
- D402,781 S \* 12/1998 Helmsie et al. .... D34/29
- D411,680 S \* 6/1999 Black et al. .... D34/29
- 6,318,545 B1 11/2001 Ross, II
- 6,672,450 B2 1/2004 Horne
- D514,769 S \* 2/2006 Formigoni et al. .... D34/35

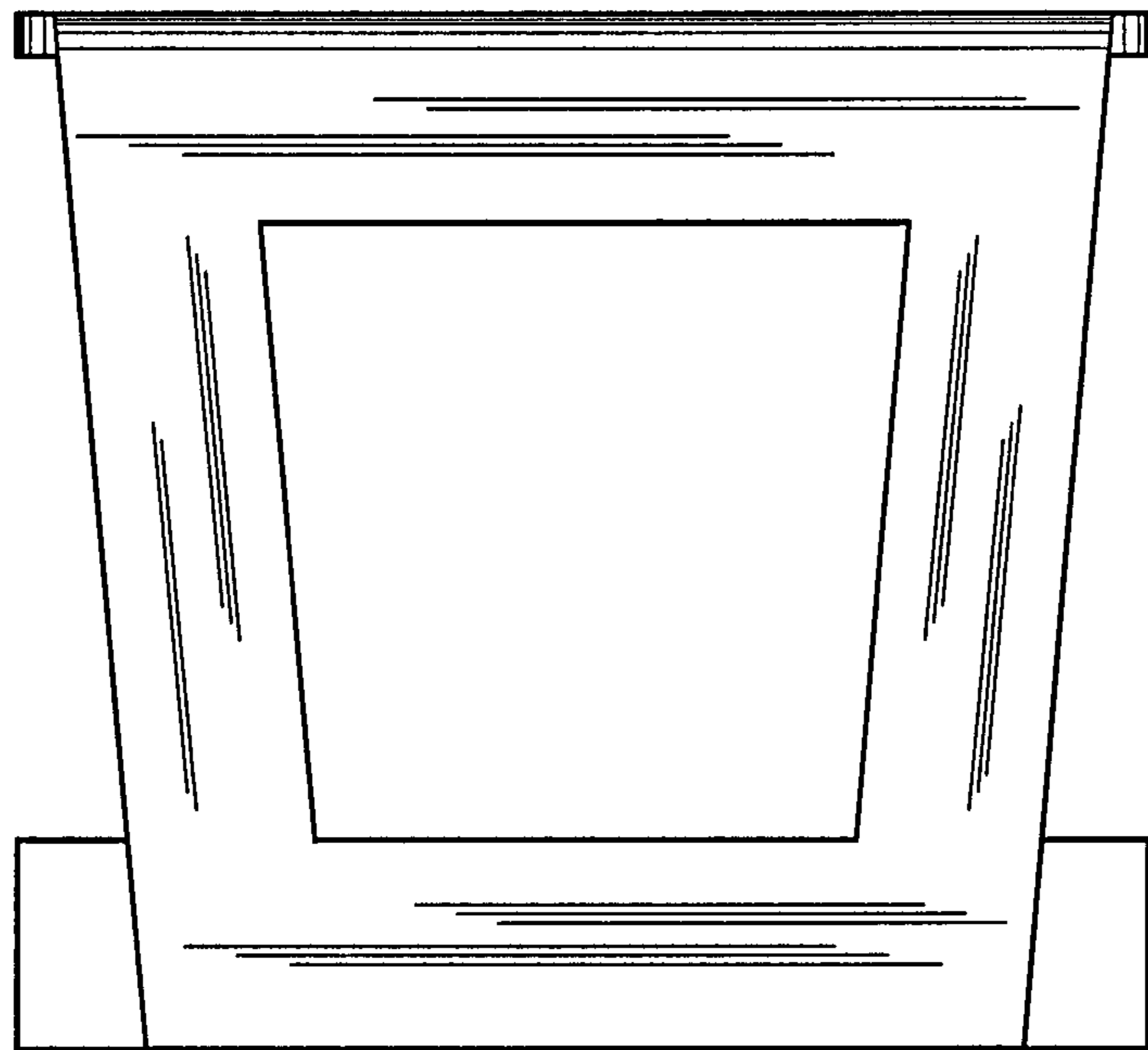




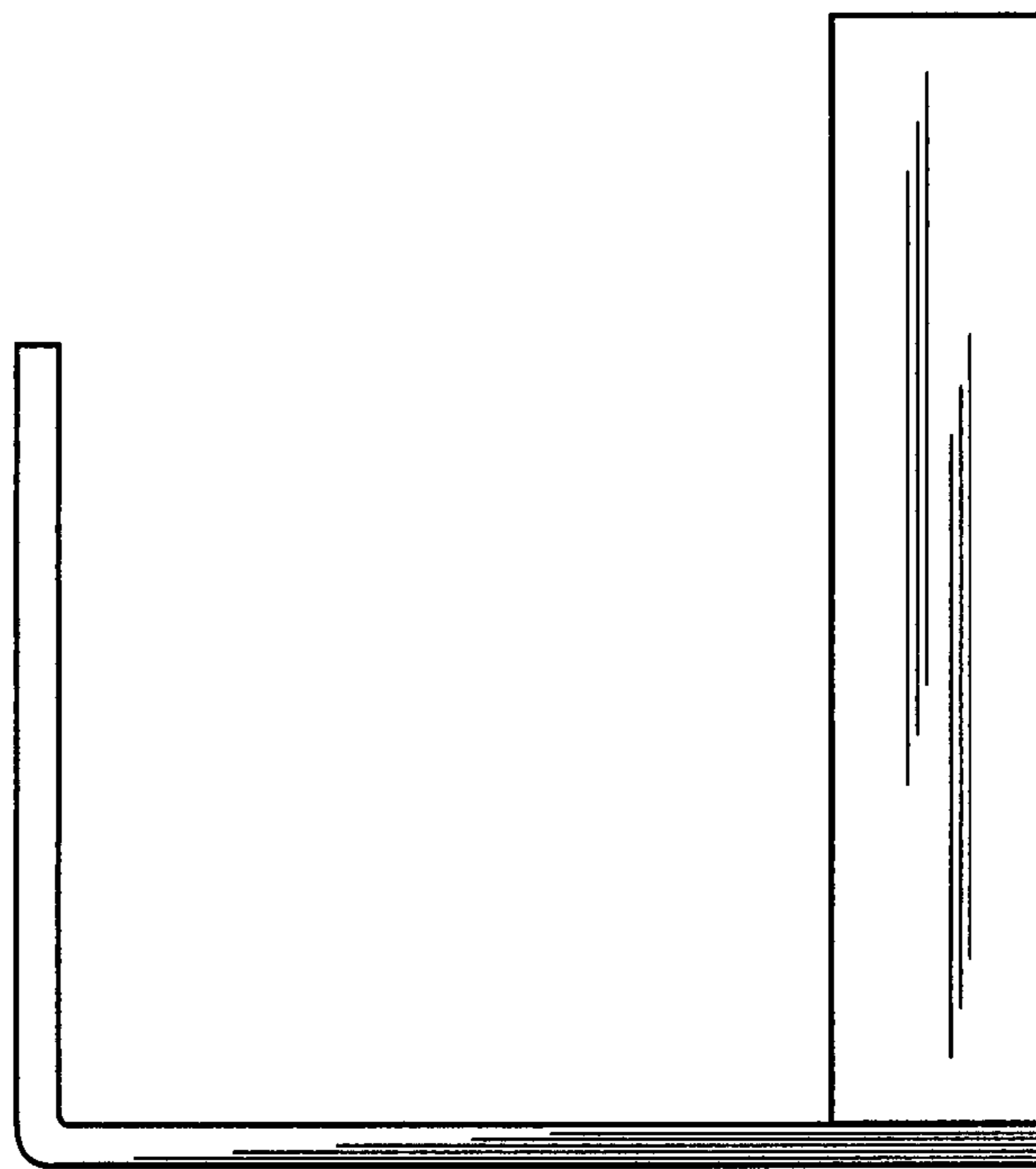
**FIG. 1**



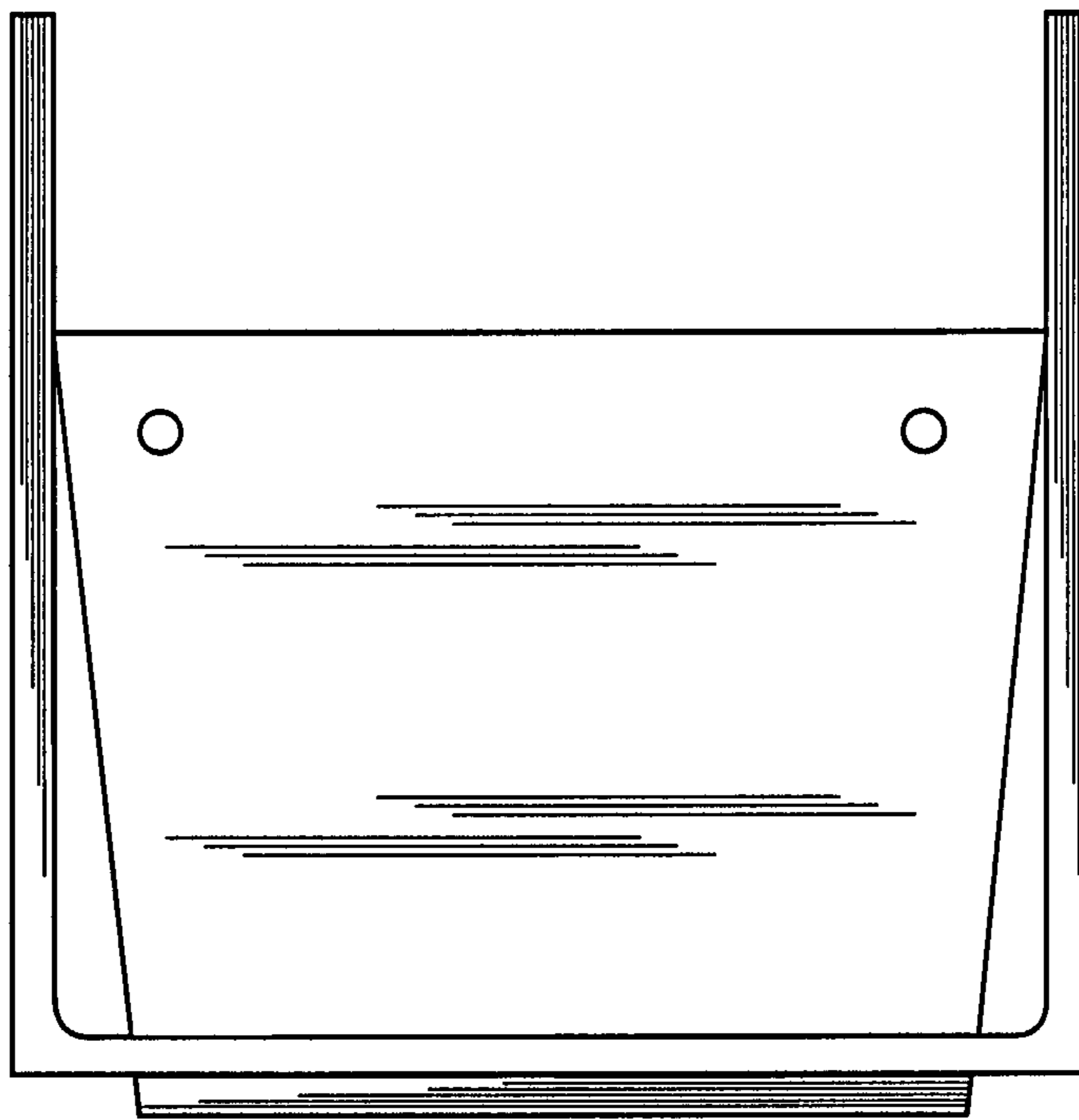
**FIG. 2**



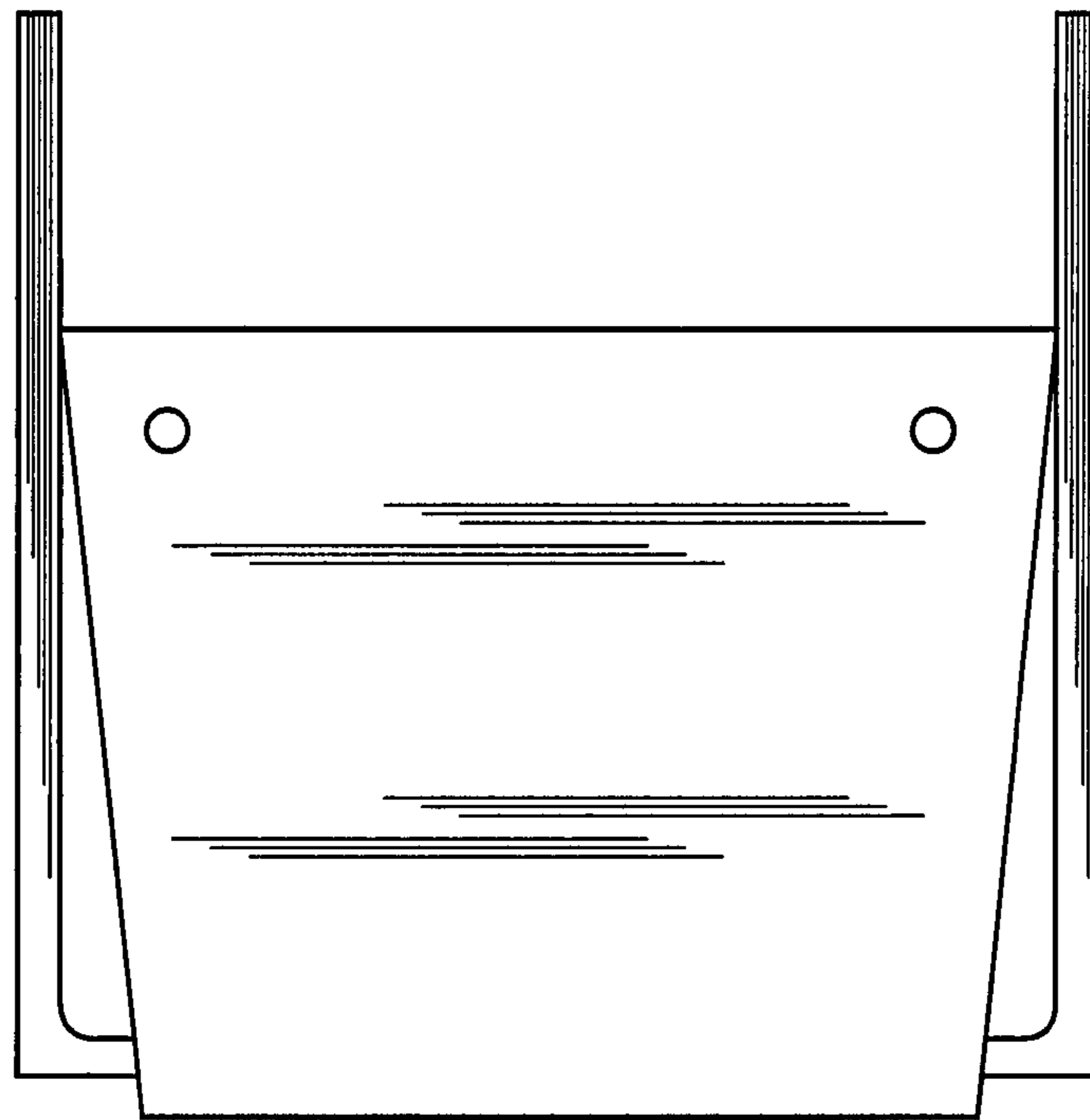
**FIG. 3**



**FIG. 4**



**FIG. 5**



**FIG. 6**