



US00D720111S

(12) **United States Design Patent**  
**Nylen**

(10) **Patent No.:** **US D720,111 S**  
(45) **Date of Patent:** **\*\* Dec. 23, 2014**

(54) **WHEELBARROW CRADLE**  
(71) Applicant: **Michelle M. Nylen**, West Des Moines,  
IA (US)  
(72) Inventor: **Michelle M. Nylen**, West Des Moines,  
IA (US)  
(\*\*) Term: **14 Years**  
(21) Appl. No.: **29/480,840**

6,695,183 B2 2/2004 Hancock et al.  
6,755,478 B2 6/2004 Messinger-Rapport  
6,789,712 B2 9/2004 Gates et al.  
6,793,109 B2 9/2004 Gates et al.  
6,913,286 B2 7/2005 Kramer  
7,100,808 B2 9/2006 Hancock et al.  
7,192,035 B1 3/2007 Lioce  
7,337,934 B2 3/2008 Alling et al.  
D626,494 S \* 11/2010 Gates et al. .... D12/412  
8,534,519 B2 9/2013 Hancock et al.  
2003/0042282 A1 3/2003 Gates et al.

(Continued)

(22) Filed: **Jan. 30, 2014**

FOREIGN PATENT DOCUMENTS

DE 202006012934 U1 12/2006

**Related U.S. Application Data**

(63) Continuation-in-part of application No. 13/757,125,  
filed on Feb. 1, 2013.

(51) **LOC (10) Cl.** ..... **12-02**

(52) **U.S. Cl.**  
USPC ..... **D34/27**

(58) **Field of Classification Search**  
USPC ..... D34/27, 15; D12/408; 224/401;  
280/762, 47.31, 47.315, 653; 248/314,  
248/688, 316.1  
See application file for complete search history.

OTHER PUBLICATIONS

DE 202006012934 U1, Herrmann, Peter, published Dec. 14, 2006—  
English Translation <http://www1.orbit.com/86C1BA2CAE33AE721CEFCE8933E3F9F.cache.html> [retrieved  
from the Internet on Jan. 8, 2013], 5 pages.

*Primary Examiner* — Cynthia Ramirez  
(74) *Attorney, Agent, or Firm* — McKee, Voorhees & Sease

(57) **CLAIM**  
The ornamental design for a wheelbarrow cradle, as shown  
and described.

(56) **References Cited**

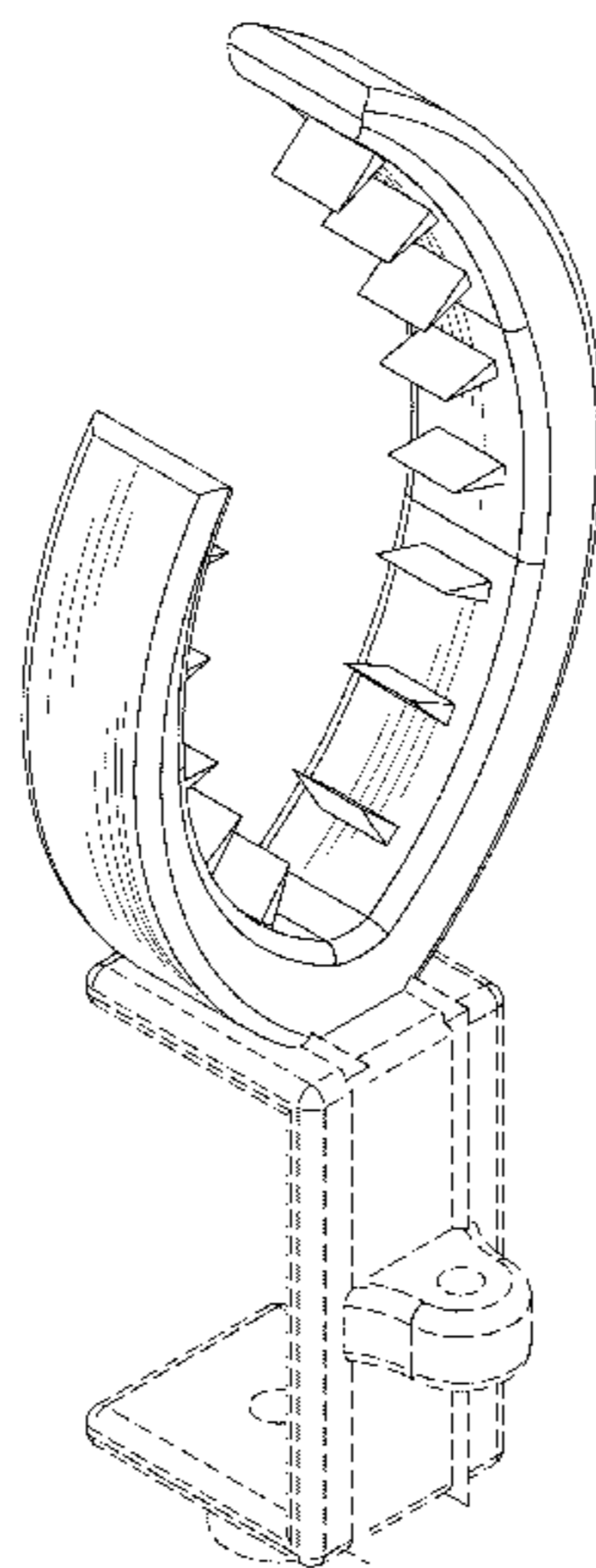
U.S. PATENT DOCUMENTS

1,382,566 A 6/1921 Strauch  
4,607,772 A 8/1986 Hancock  
5,078,279 A 1/1992 Hancock et al.  
5,615,903 A 4/1997 Spear et al.  
5,687,979 A 11/1997 Plevka  
D393,129 S 3/1998 Yemini  
5,957,352 A 9/1999 Gares  
6,039,333 A 3/2000 Hamblin  
6,193,265 B1 2/2001 Yemini  
6,338,218 B1 1/2002 Hegler  
6,484,913 B1 11/2002 Hancock et al.  
D476,290 S \* 6/2003 Gates et al. .... D12/408  
6,588,637 B2 7/2003 Gates et al.  
6,626,339 B2 9/2003 Gates et al.

**DESCRIPTION**

FIG. 1 is a perspective view of the wheelbarrow cradle show-  
ing my new design;  
FIG. 2 is a front view thereof;  
FIG. 3 is a rear view thereof;  
FIG. 4 is a side view thereof;  
FIG. 5 is the other side view thereof; and,  
FIG. 6 is a top view thereof.  
The bottom of the wheelbarrow cradle is not part of the  
claimed design. The broken lines in the figures are to show  
environment and are not part of the claimed design.

**1 Claim, 6 Drawing Sheets**



(56)

**References Cited**

U.S. PATENT DOCUMENTS

2003/0201634 A1 10/2003 Kramer  
2003/0218112 A1 11/2003 Gates et al.  
2004/0113041 A1 6/2004 Hancock et al.  
2005/0023313 A1 2/2005 Yaczkanich

2005/0230444 A1\* 10/2005 Alling et al. .... 224/401  
2007/0039986 A1 2/2007 Tomasi  
2010/0116960 A1 5/2010 Lusk  
2010/0127028 A1 5/2010 Lusk  
2011/0260420 A1 10/2011 Volin

\* cited by examiner

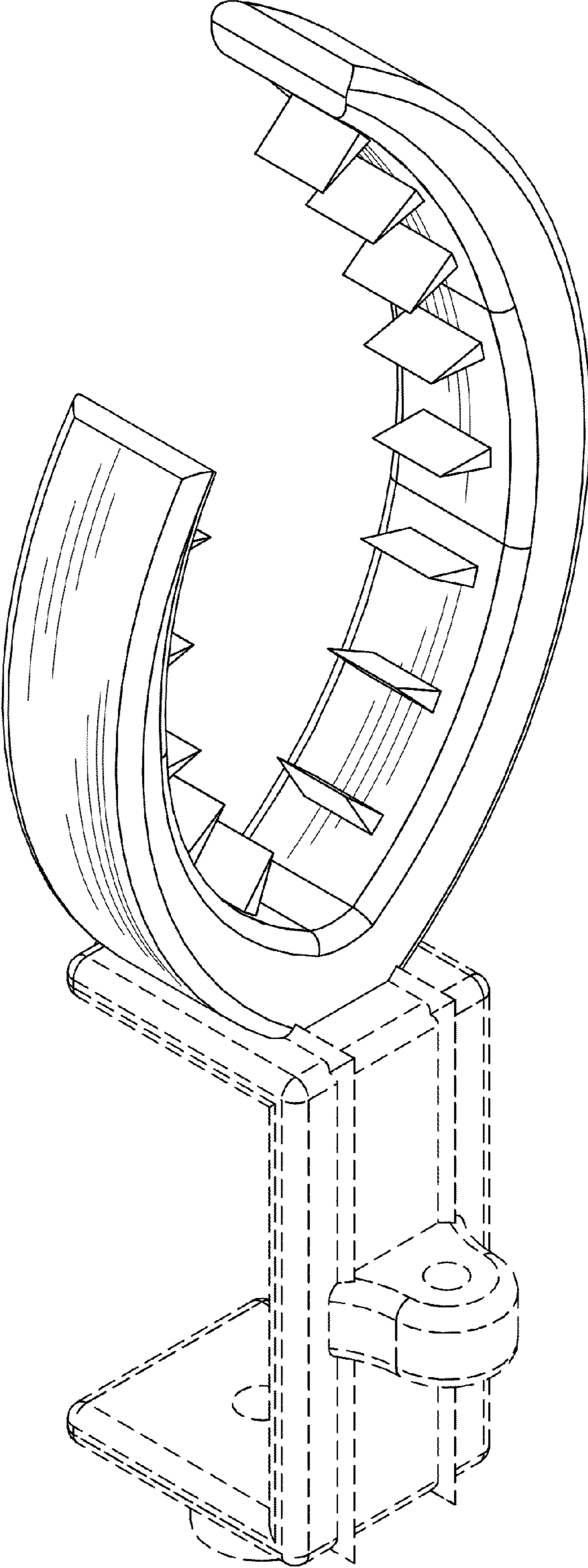
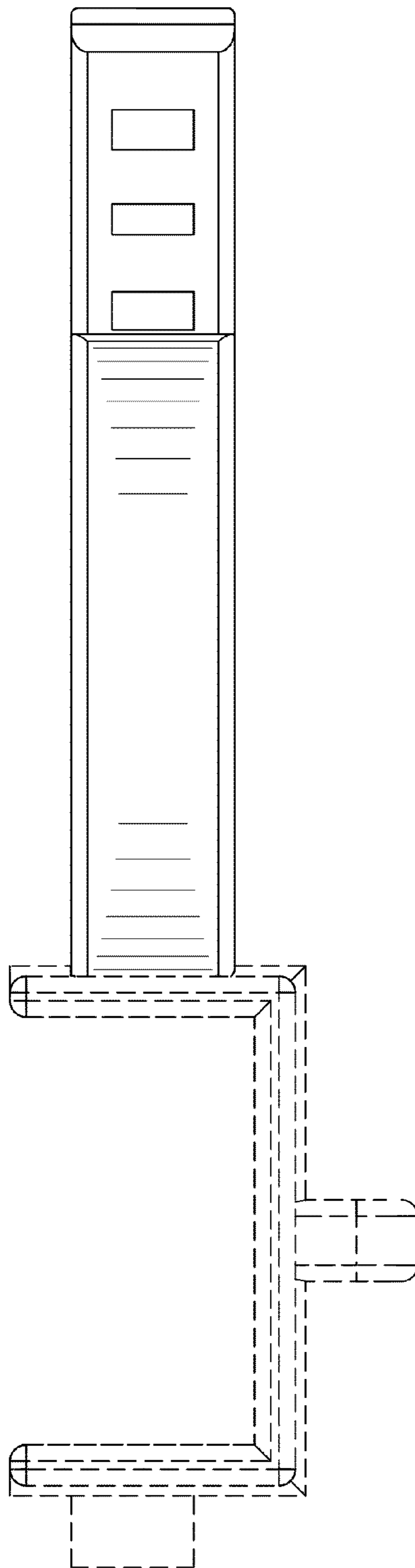
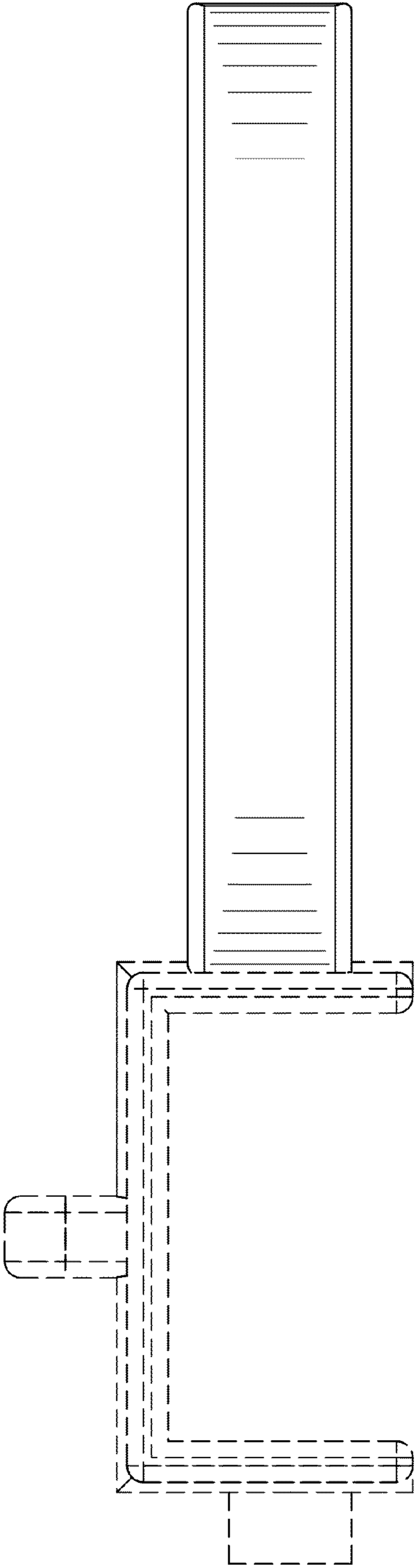


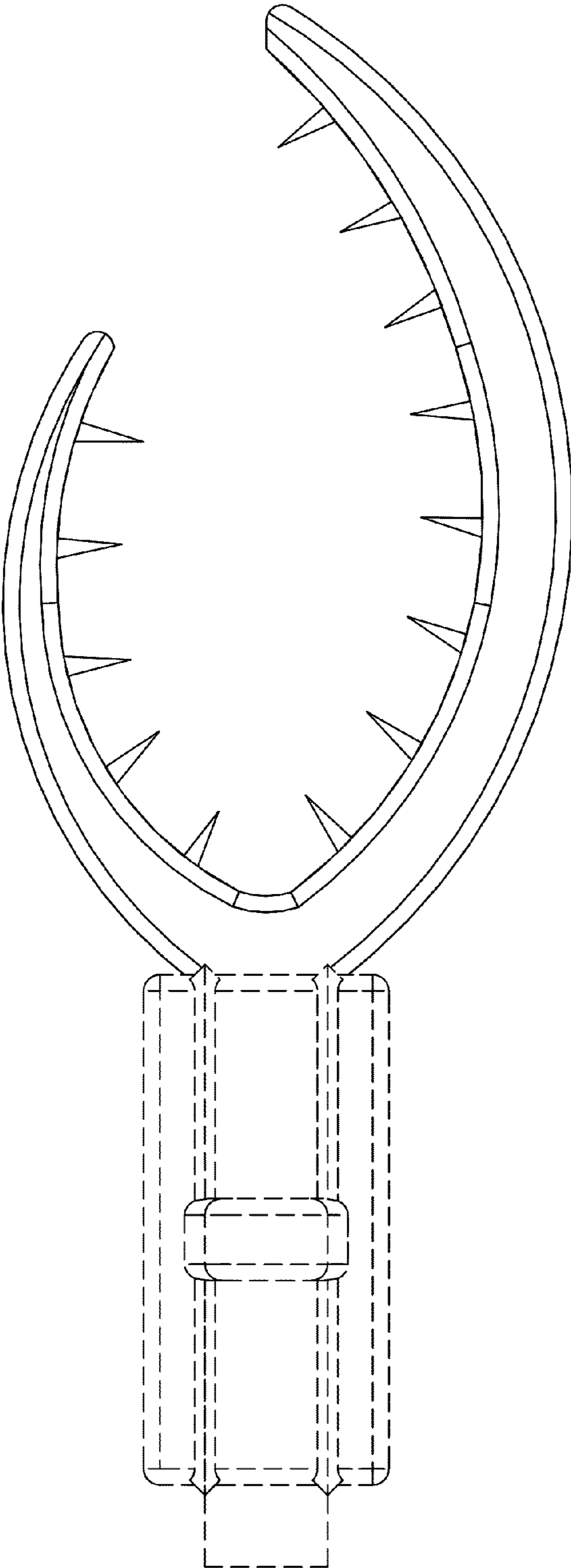
Fig. 1



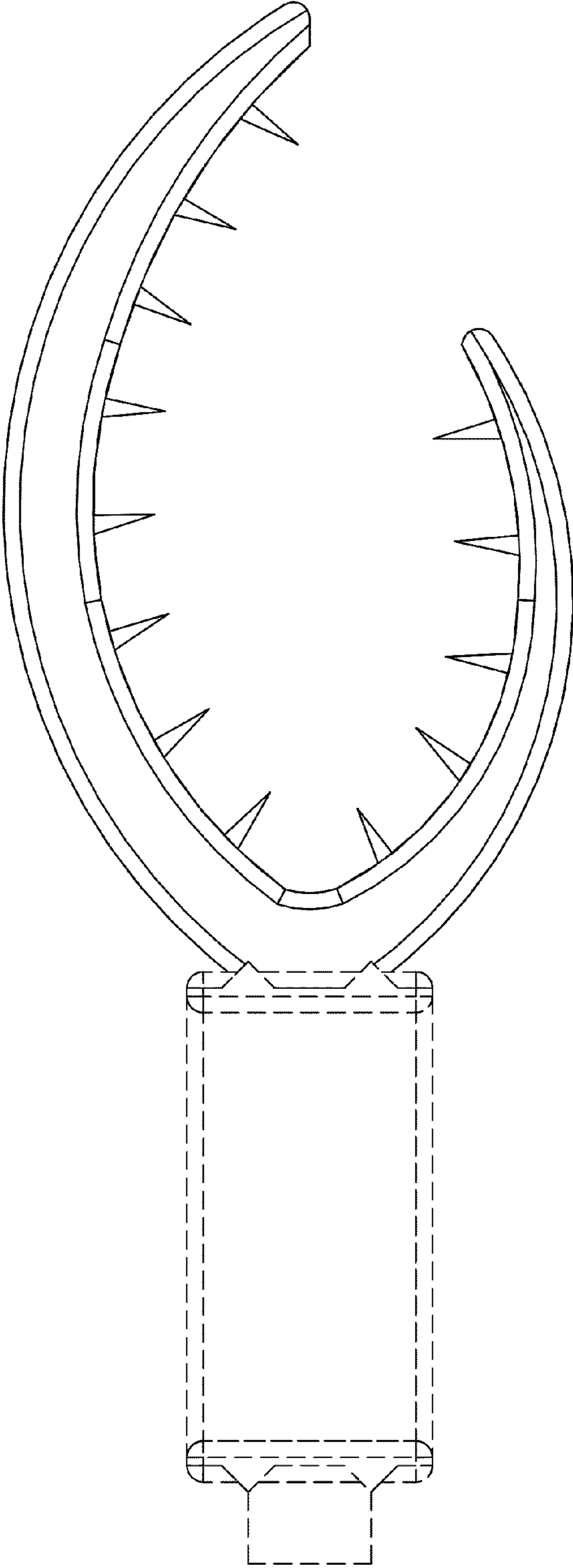
*Fig. 2*



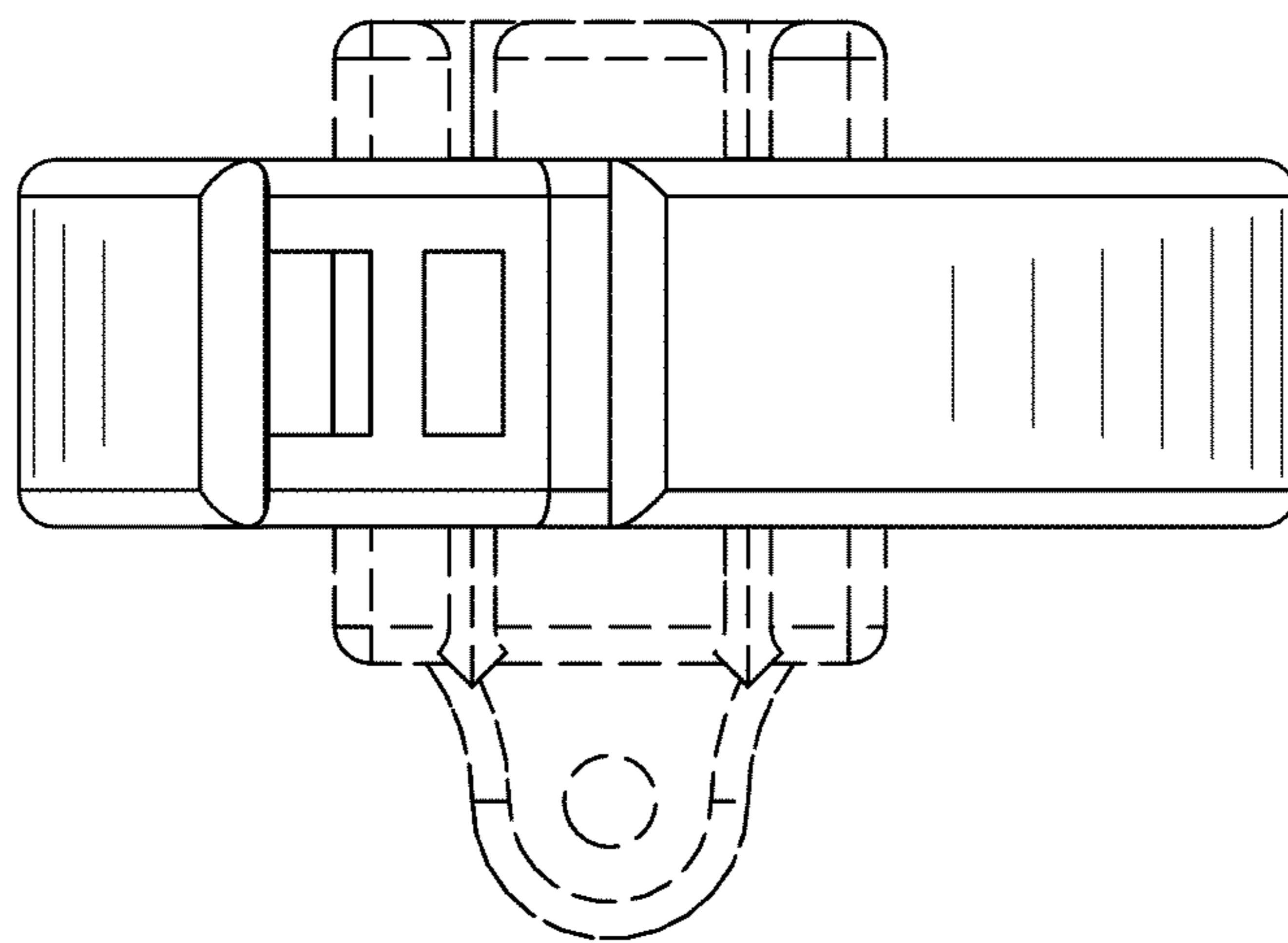
*Fig. 3*



*Fig. 4*



*Fig. 5*



*Fig. 6*