



US00D720110S

(12) **United States Design Patent**
Baisden

(10) **Patent No.:** **US D720,110 S**
(45) **Date of Patent:** **** Dec. 23, 2014**

(54) **BAG HOLDER**

(71) Applicant: **LaRoy Baisden**, Albuquerque, NM (US)

(72) Inventor: **LaRoy Baisden**, Albuquerque, NM (US)

(73) Assignee: **Bagsitz, LLC**, Albuquerque, NM (US)

(**) Term: **14 Years**

(21) Appl. No.: **29/473,444**

(22) Filed: **Nov. 21, 2013**

(51) **LOC (10) Cl.** **09-09**

(52) **U.S. Cl.**
USPC **D34/5**

(58) **Field of Classification Search**

CPC B65F 1/1415; B65F 1/1468; B65F 1/06;
B65B 67/1227; B65B 67/12; B65B 67/1205;
B65B 67/1238; B65B 67/1255; B65B 39/06
USPC D34/1, 5, 6; 248/95, 97, 99, 100, 101;
D7/605

See application file for complete search history.

(56) **References Cited**

U.S. PATENT DOCUMENTS

765,388	A *	7/1904	Lanpher	248/97
D289,016	S *	3/1987	Campbell	D9/434
4,874,141	A *	10/1989	Schulz	248/97
D345,242	S *	3/1994	Bunn	D34/5
D704,407	S *	5/2014	Weldon	D34/5
2006/0175475	A1 *	8/2006	Desantis	248/99

* cited by examiner

Primary Examiner — Cynthia Ramirez

(74) *Attorney, Agent, or Firm* — Kameron W. Kramer

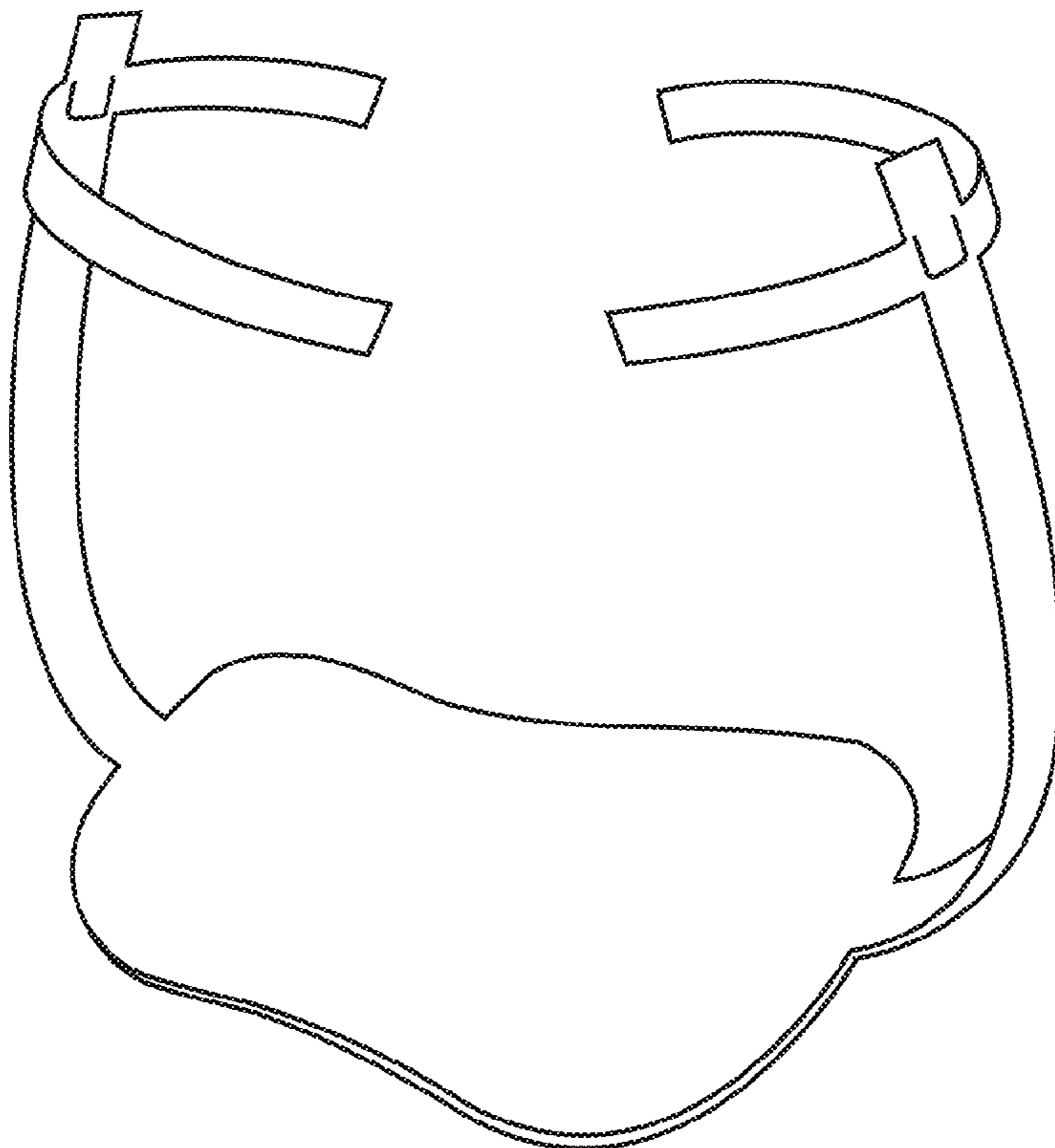
(57) **CLAIM**

The ornamental design for a bag holder, as shown and described.

DESCRIPTION

FIG. 1 is a perspective view of the bag holder;
FIG. 2 is a perspective view of the bag holder holding a bag;
FIG. 3 is a front elevation view of the bag holder holding a bag; and,
FIG. 4 is a side elevation view of the bag holder holding a bag.
The broken line showing of a bag is included for the purpose of illustrating environment and forms no part of the claimed design.

1 Claim, 4 Drawing Sheets



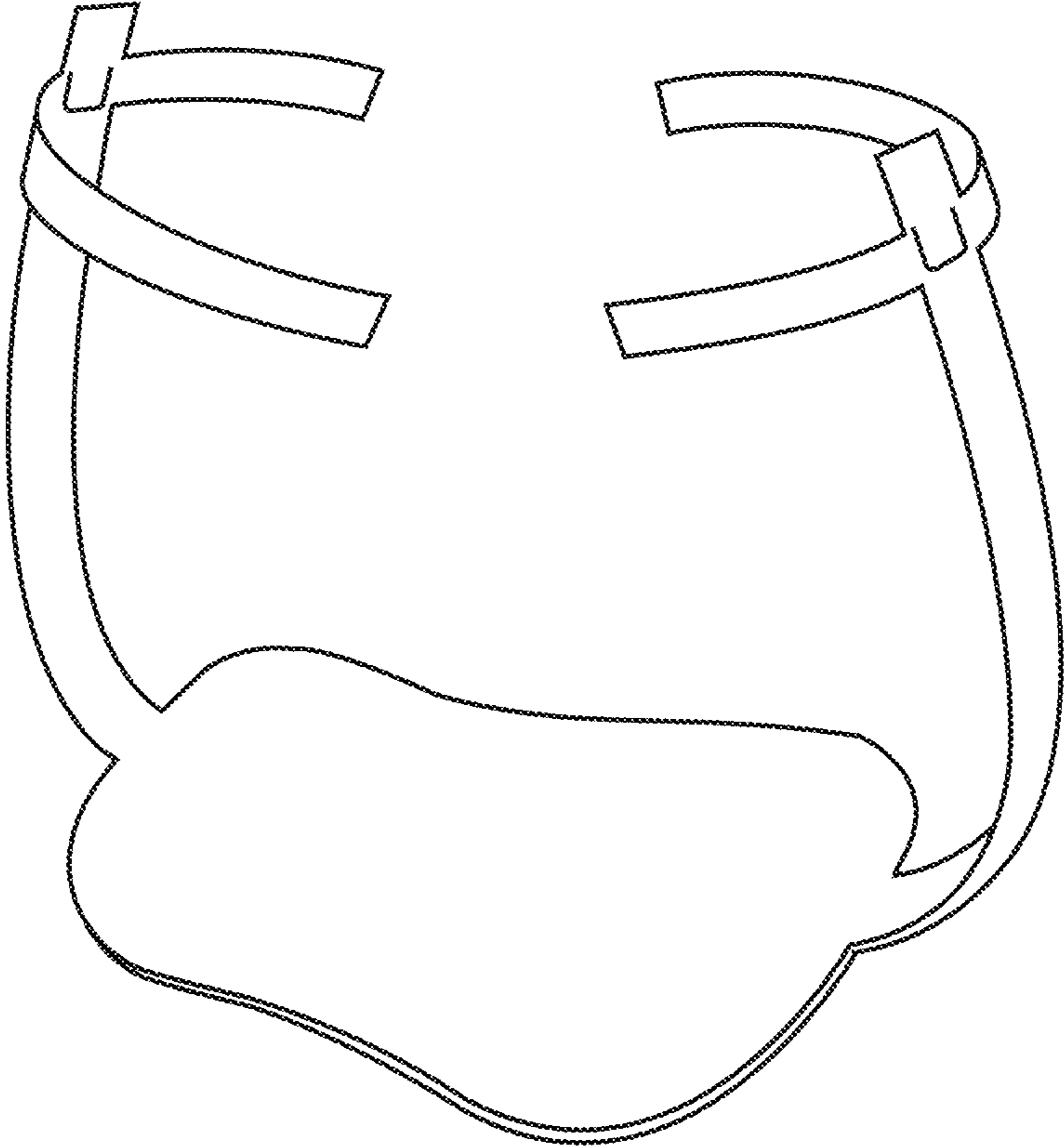


FIG. 1

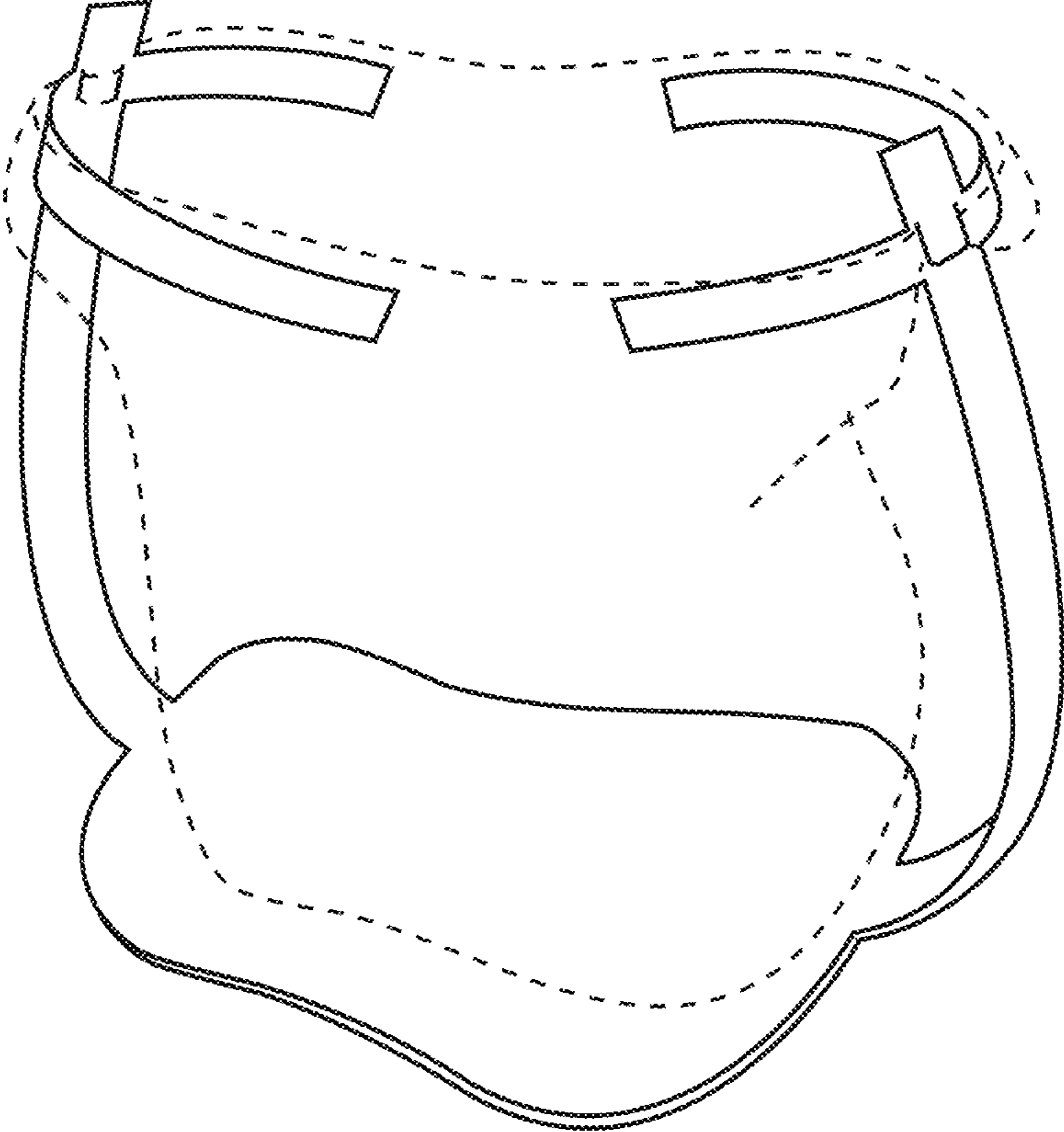


FIG. 2

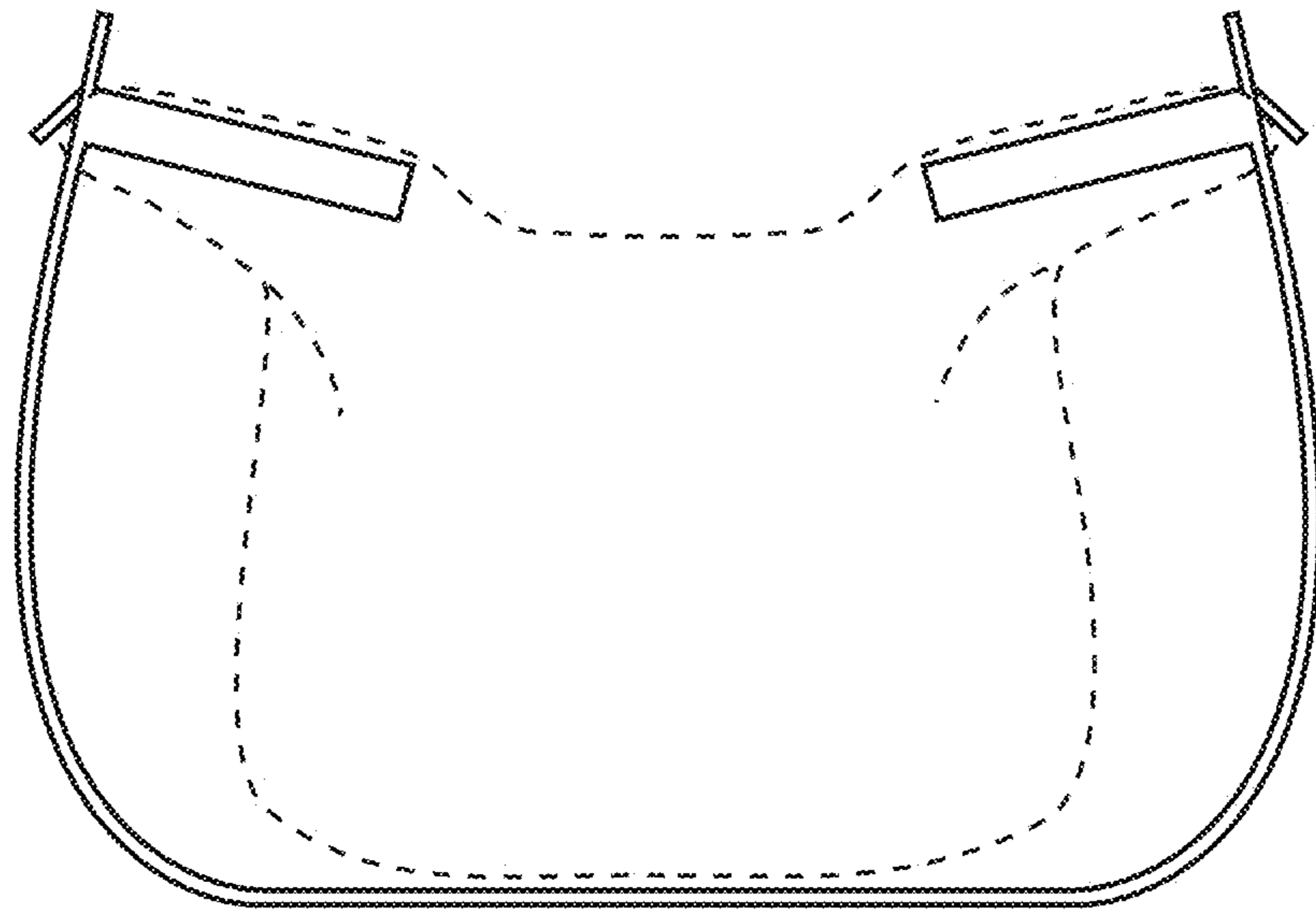


FIG. 3

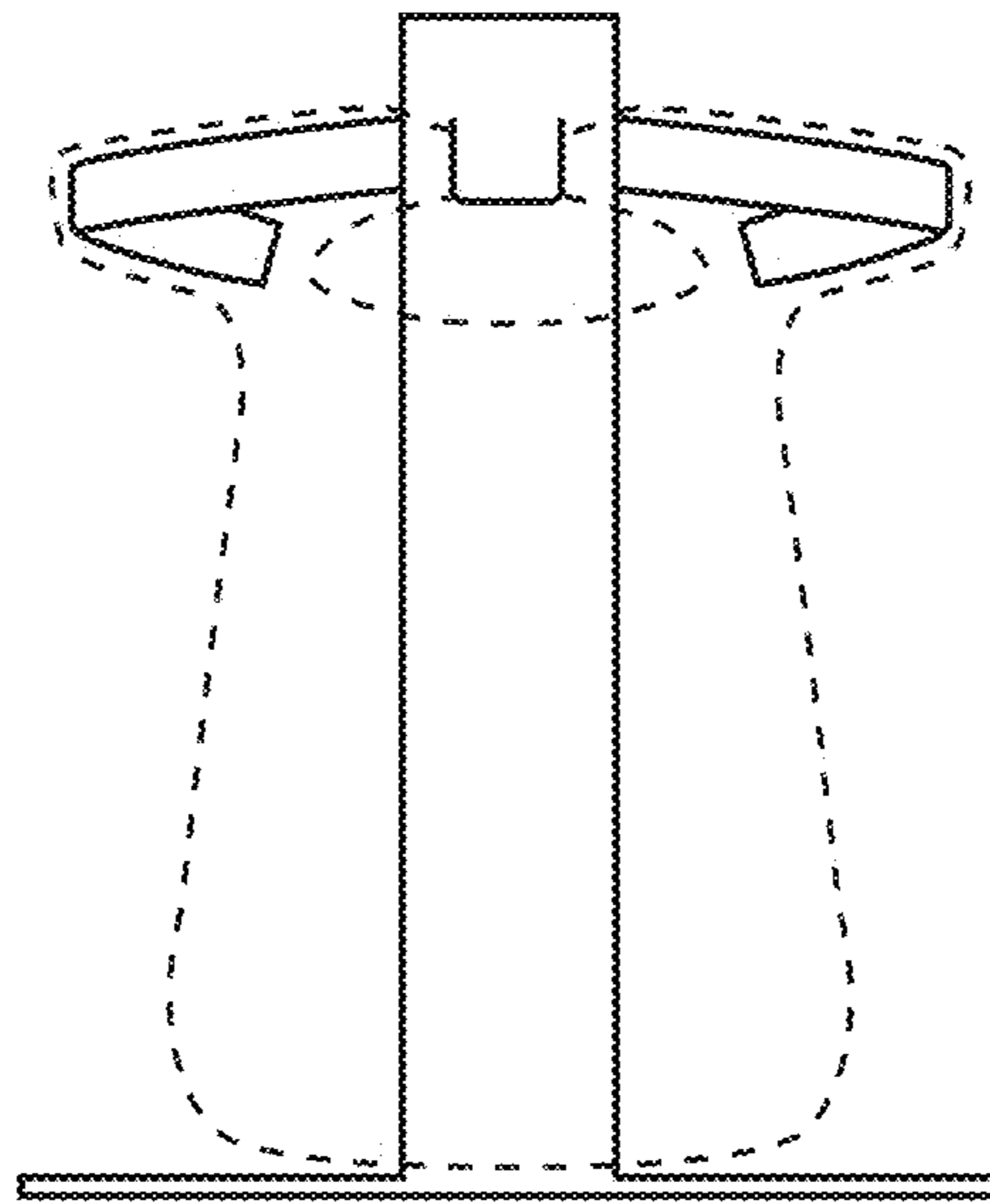


FIG. 4